

EXPLORER 90 SPECIAL -> ZKDT510200TS10001

Section: B0 - ENGINE

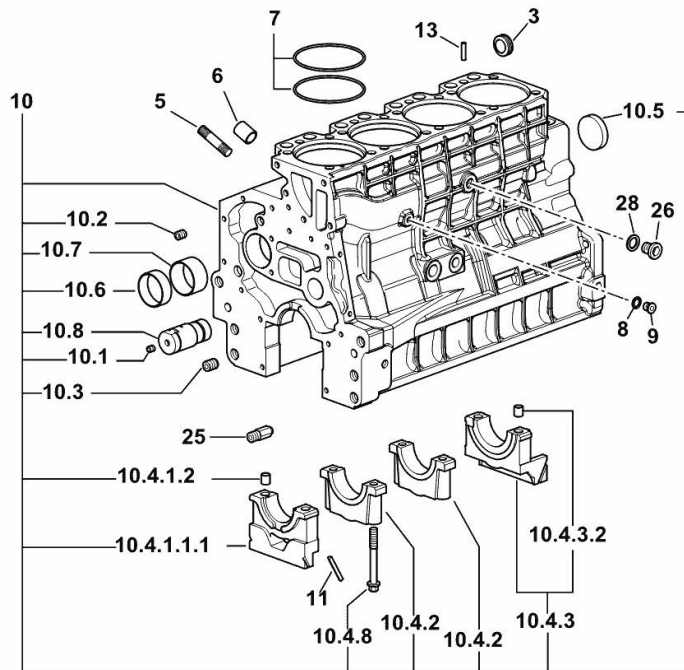
Ref: B0.01.0 (1)

CRANKCASE

Fig.	P/n	QTY	Name
------	-----	-----	------

Notes:

[EXPLORER 90 SPECIAL 2WD -> ZKDT510100TS10001] [EXPLORER 90 SPECIAL 4WD -> ZKDT510200TS10001]



19\_O1011\_00\_0-A-001

3	2.3199.312.2/20	1	plug m 35x1.5x9.5
5	2.0439.279.7	8	stud bolt m 8 p.1 x 25
6	2.1559.188.2	4	bush 11.4 x 14 x16
7	2.1539.259.0	8	special oil seal 107.62x2.62
8	2.1560.010.0	1	gasket 14.2 x 20
9	2.3199.292.0	1	plug 1/4" gas
10	0.014.9655.4/30	1	crankcase
10.1	2.3130.001.1	14	plug 1/8" gas
10.2	2.3130.002.1	4	plug 1/4" gas
10.3	2.3130.003.1	6	plug 3/8" gas
10.4.1.1.1	0.065.1112.7/10	1	support
10.4.1.2	2.1699.165.0	1	bush 12.3x15x16
10.4.2	0.065.1114.0/10	3	support
10.4.3	0.065.1116.3	1	support
10.4.3.2	2.1699.165.0	1	bush 12.3x15x16
10.4.8	0.065.1117.0	10	screw m 12 x 100
10.5	2.3179.012.0	1	plug 60
10.6	0.065.1140.0	4	special bushing 59X55X20
10.7	0.065.1141.0	1	special bushing 59X55X30
10.8	0.014.1340.0/10	1	pin mm 85
11	0.066.1152.0/10	4	gasket
13	2.1549.154.2	4	bush 4.8x5.8x16
25	0.013.4946.0/10	1	sprayer nozzle
26	2.3120.101.0	1	plug m 18 p.1.5
28	2.1560.014.0	1	washer 18.2 x 24

EXPLORER 90 SPECIAL -> ZKDT510200TS10001

Section: B0 - ENGINE

Ref: B0.01.1 (1)

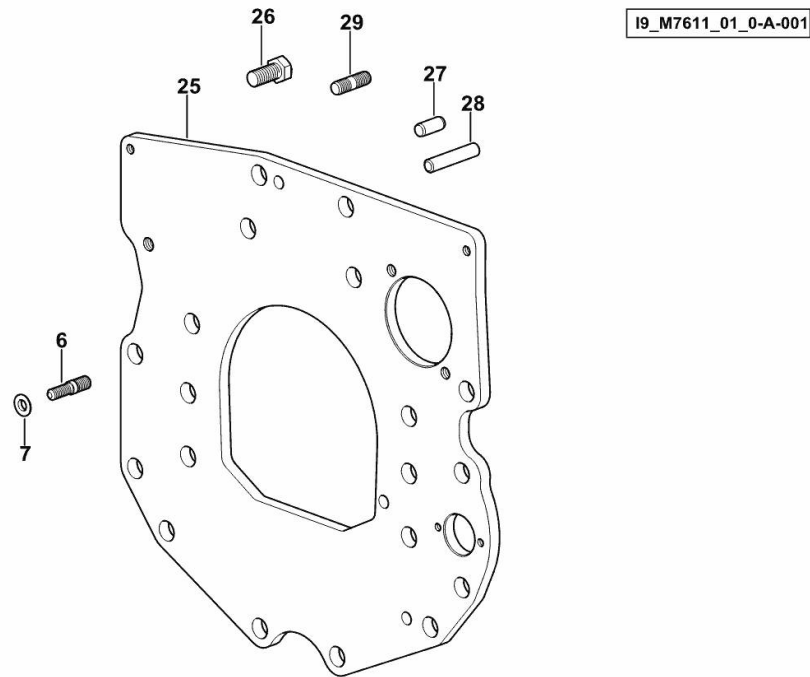
**MONOBLOC ENGINE-GEARBOX CONNECTING FLANGE**

Fig.	P/n	QTY	Name
------	-----	-----	------

**Notes:**

[EXPLORER 90 SPECIAL 2WD -> ZKDT510100TS10001] [EXPLORER 90 SPECIAL 4WD -> ZKDT510200TS10001]

6	2.0439.250.7	1	stud bolt m 12 / m 10 x 30
7	0.011.9294.0/10	1	bush
25	0.066.1130.0/20	1	flange
26	2.0112.511.2	8	screw m 14 p.2 x 30
27	2.1651.912.0	2	cylindrical plug 12x28
28	2.1651.917.0	1	cylindrical plug 12x40
29	2.0432.257.7	1	stud bolt m 12 p.1.75 - 1.25 x 30



**EXPLORER 90 SPECIAL -> ZKDT510200TS10001**

Section: B0 - ENGINE

Ref: B0.01.2 (1)

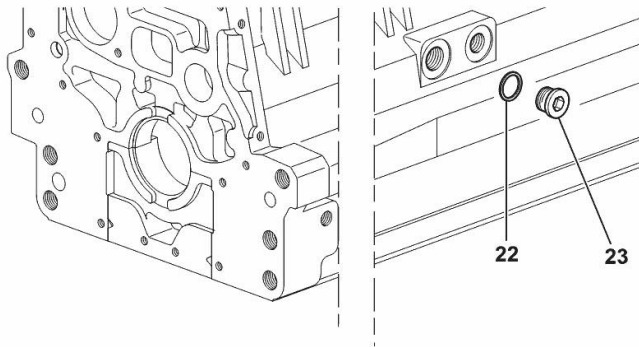
**SIDE PLUG FOR CYLINDER BLOCK**

Fig.	P/n	QTY	Name
------	-----	-----	------

**Notes:**

[EXPLORER 90 SPECIAL 2WD -> ZKDT510100TS10001] [EXPLORER 90 SPECIAL 4WD -> ZKDT510200TS10001]

22	2.1560.017.0	1	gasket 22.2 x 27
23	2.3120.002.4	1	plug m 22 x 1.5



I9\_33211\_07\_0-A-001

**<https://www.ebooklibonline.com>**

Hello dear friend!

Thank you very much for reading.

Enter the link into your browser.

The full manual is available for immediate download.

**<https://www.ebooklibonline.com>**

**EXPLORER 90 SPECIAL -> ZKDT510200TS10001**

Section: B0 - ENGINE

Ref: B0.01.4 (1)

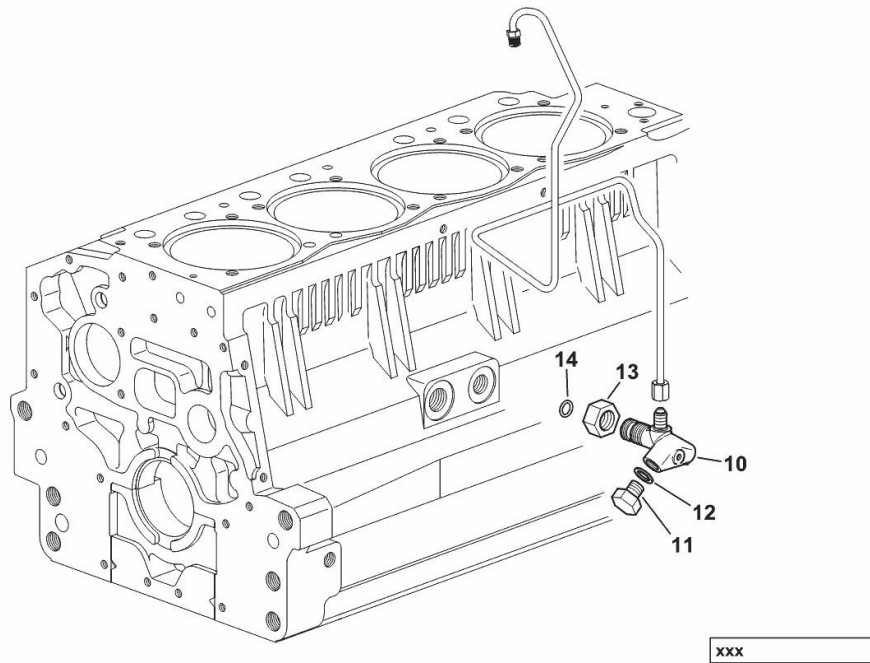
**ENGINE OIL AND TURBO PRESSURE SWITCH UNION**

Fig.	P/n	QTY	Name
------	-----	-----	------

**Notes:**

[EXPLORER 90 SPECIAL 2WD -> ZKDT510100TS10001] [EXPLORER 90 SPECIAL 4WD -> ZKDT510200TS10001]

10	2.3339.787.0/10	1	pipe fitting 7/16"
11	2.3110.403.1	1	plug m 14 p.1.5x12
12	2.1560.010.0	1	gasket 14.2 x 20
13	2.1019.129.2/10	1	nut m 18 p.1.5x12
14	2.1533.038.0	1	oil seal 15.45x2.62



EXPLORER 90 SPECIAL -> ZKDT510200TS10001

Section: B0 - ENGINE

Ref: B0.01.5 (1)

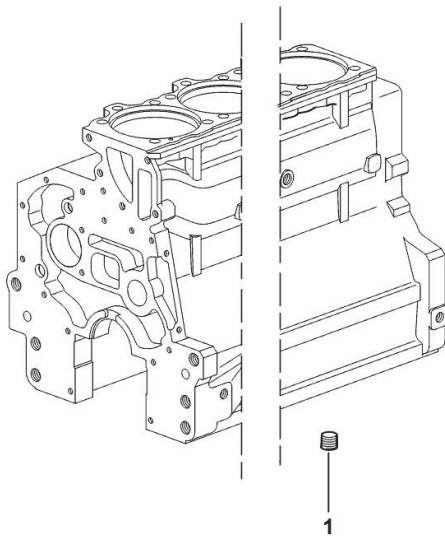
LOWER PLUG FOR CYLINDER BLOCKS

Fig.	P/n	QTY	Name
------	-----	-----	------

Notes:

[EXPLORER 90 SPECIAL 2WD -> ZKDT510100TS10001] [EXPLORER 90 SPECIAL 4WD -> ZKDT510200TS10001]

1	2.3130.003.1	2	plug 3/8" gas
---	--------------	---	---------------



19\_37511\_06\_0-A-001

EXPLORER 90 SPECIAL -> ZKDT510200TS10001

Section: B0 - ENGINE

Ref: B0.02.0 (1)

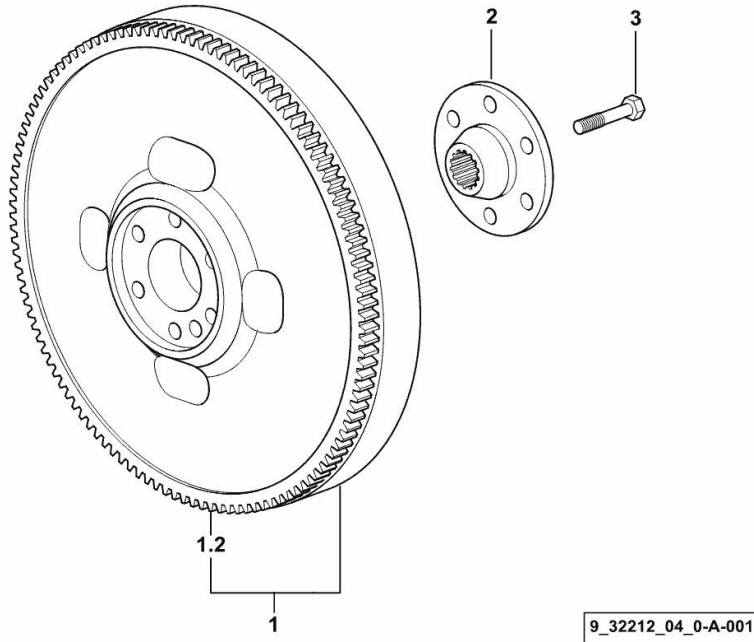
ENGINE FLYWHEEL

Fig.	P/n	QTY	Name
------	-----	-----	------

Notes:

[EXPLORER 90 SPECIAL 2WD -> ZKDT510100TS10001] [EXPLORER 90 SPECIAL 4WD -> ZKDT510200TS10001]

1	0.012.2626.3/10	1	flywheel
1.2	0.065.1242.0	1	crown wheel Z = 123
2	0.255.2525.0/10	1	flange
3	2.0139.022.2	6	screw m 12 p.1.25x55



EXPLORER 90 SPECIAL -> ZKDT510200TS10001

Section: B0 - ENGINE

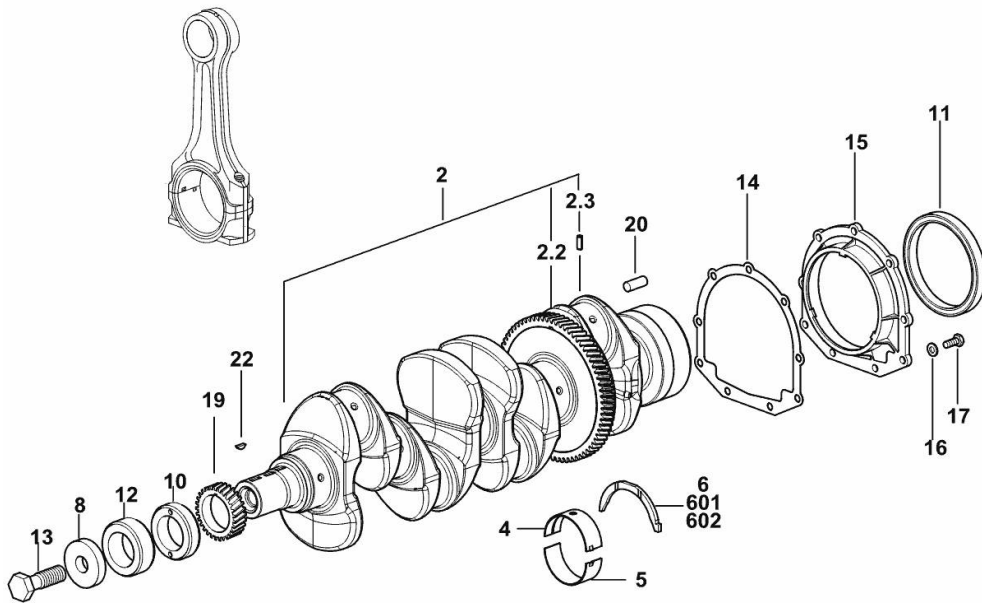
Ref: B0.02.1 (2)

**CRANKSHAFT**

Fig.	P/n	QTY	Name
------	-----	-----	------

**Notes:**

[EXPLORER 90 SPECIAL 2WD -> ZKDT510100TS10001] [EXPLORER 90 SPECIAL 4WD -> ZKDT510200TS10001]



2	0.021.8246.3	1	crankshaft
2.2	0.065.1211.0/10	1	crown wheel
2.3	2.1630.608.0	1	pin 6x16
4	0.019.5455.0	5	main half bushing STANDARD
5	0.019.5456.0	5	main half bushing STANDARD
6	0.065.1218.0	4	shim STANDARD
8	2.1599.524.7	1	washer 21x60x12
10	0.085.1248.0/20	1	hub
11	2.1529.073.0	1	special oil seal 110x130x13
12	0.014.7054.0	1	spacer
13	2.0399.144.7/10	1	screw m 20 p.1.5x51
14	0.065.1254.0/20	1	gasket
15	0.007.1711.0/10	1	cover
16	2.1475.002.2	9	conical washer 8
17	2.0112.207.2	9	screw m 8 p 1.25 x 20
19	0.065.1323.0/30	1	gear Z = 29
20	2.1651.915.0	1	pin 12x35
22	2.1720.006.0	1	key 4x6.5
601	0.065.1218.7		shim + mm 0.10
602	0.065.1218.8		shim + mm 0.15

19\_M7612\_00\_0-A-002

EXPLORER 90 SPECIAL -> ZKDT510200TS10001

Section: B0 - ENGINE

Ref: B0.02.2 (1)

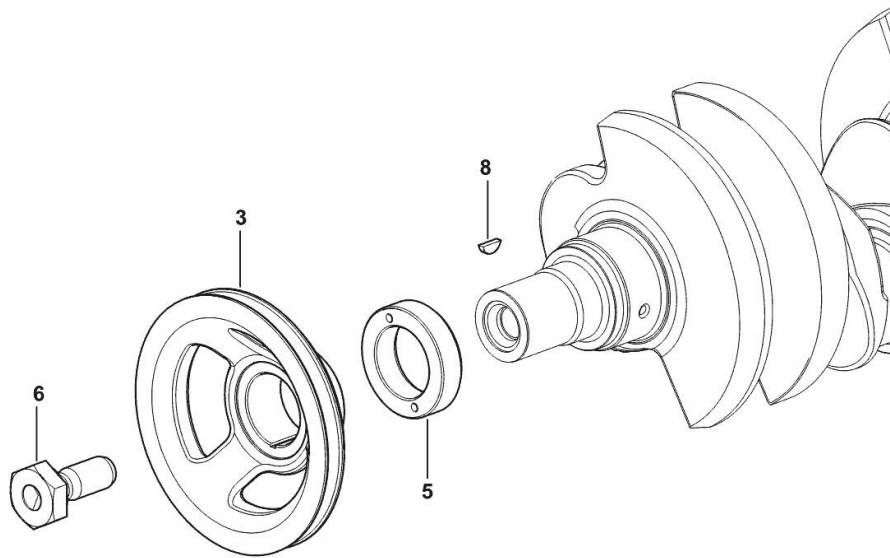
CRANKSHAFT PULLEY

Fig.	P/n	QTY	Name
------	-----	-----	------

Notes:

[EXPLORER 90 SPECIAL 2WD -> ZKDT510100TS10001] [EXPLORER 90 SPECIAL 4WD -> ZKDT510200TS10001]

3	0.007.1457.0/30	1	pulley
5	0.085.1248.0/20	1	hub
6	2.0399.144.7/10	1	screw m 20 p.1.5x51
8	2.1720.006.0	1	key 4x6.5



19\_33312\_02\_0-A-001

**EXPLORER 90 SPECIAL -> ZKDT510200TS10001**

Section: B0 - ENGINE

Ref: B0.02.3 (1)

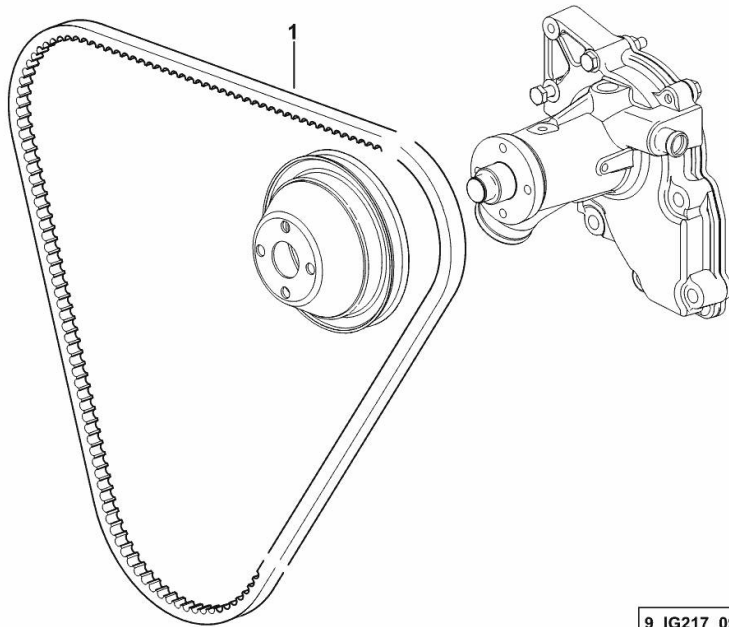
**COOLANT PUMP AND ALTERNATOR DRIVEBELT**

Fig.	P/n	QTY	Name
------	-----	-----	------

**Notes:**

[EXPLORER 90 SPECIAL 2WD -> ZKDT510100TS10001] [EXPLORER 90 SPECIAL 4WD -> ZKDT510200TS10001]

1	2.4119.198.0	1	vee belt AV 10.7x1240 mm
---	--------------	---	--------------------------



9\_IG217\_09\_0-A-001

EXPLORER 90 SPECIAL -> ZKDT510200TS10001

Section: B0 - ENGINE

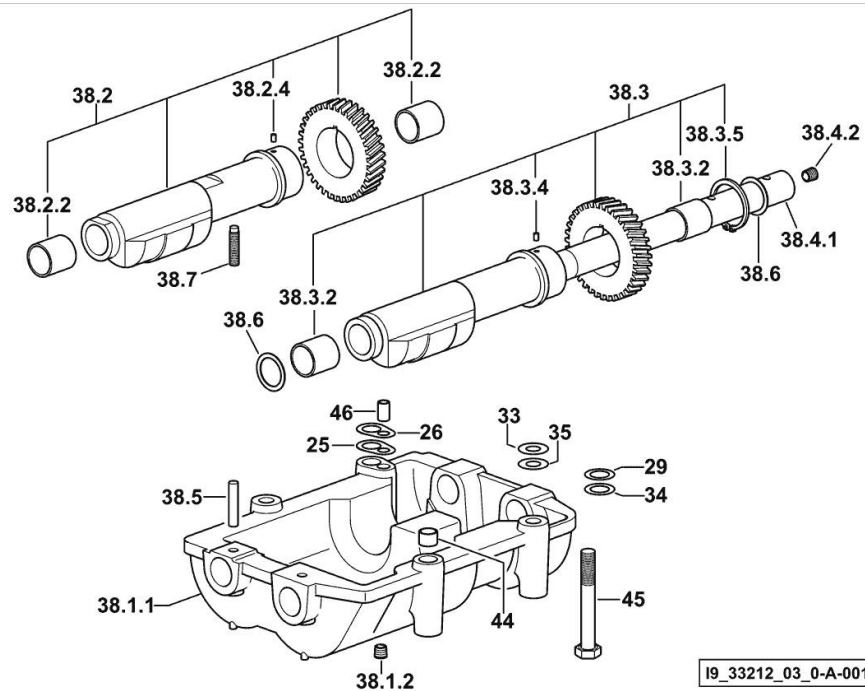
Ref: B0.02.4 (1)

COUNTERWEIGHTS

Fig.	P/n	QTY	Name
------	-----	-----	------

Notes:

[EXPLORER 90 SPECIAL 2WD -> ZKDT510100TS10001] [EXPLORER 90 SPECIAL 4WD -> ZKDT510200TS10001]



25	2.1589.139.0	1	shoulder ring mm 0.3
26	2.1589.140.0	3	shoulder ring mm 0.1
29	2.1579.628.0	3	spacer 16.5x26x0.1
33	2.1579.629.0	6	spacer 12.5x26x0.1
34	2.1589.048.0	1	shoulder ring 16.5x26x0.3
35	2.1589.049.0	1	shoulder ring 12.5x26x0.3
38.1.1	0.086.1231.0/10	1	box
38.1.2	2.3130.001.1	4	plug 1/8" gas
38.2	0.086.1233.3/30	1	mass sx/lh/li
38.2.2	2.1559.115.0	2	special bushing 26x30x30
38.2.4	2.1651.302.0	1	roll pin 4x6
38.3	0.065.1233.3/30	1	mass dx/rh/re
38.3.2	2.1559.115.0	2	special bushing 26x30x30
38.3.4	2.1651.302.0	1	roll pin 4x6
38.3.5	2.1410.018.1	1	circlip 45
38.4.1	0.065.1234.0/10	1	shaft
38.4.2	2.3130.001.1	1	plug 1/8" gas
38.5	2.1631.717.0	2	roll pin 8 x 40
38.6	2.1589.185.0	4	shoulder ring 26.1x34x1
38.7	2.0522.212.7	1	screw m 8 p.1.25 x 30
44	2.1579.626.0	2	spacer 13.2x16x11
45	2.0139.028.2	4	screw m 12
46	2.1699.191.0	1	bush 7x10x16

EXPLORER 90 SPECIAL -> ZKDT510200TS10001

Section: B0 - ENGINE

Ref: B0.03.1 (1)

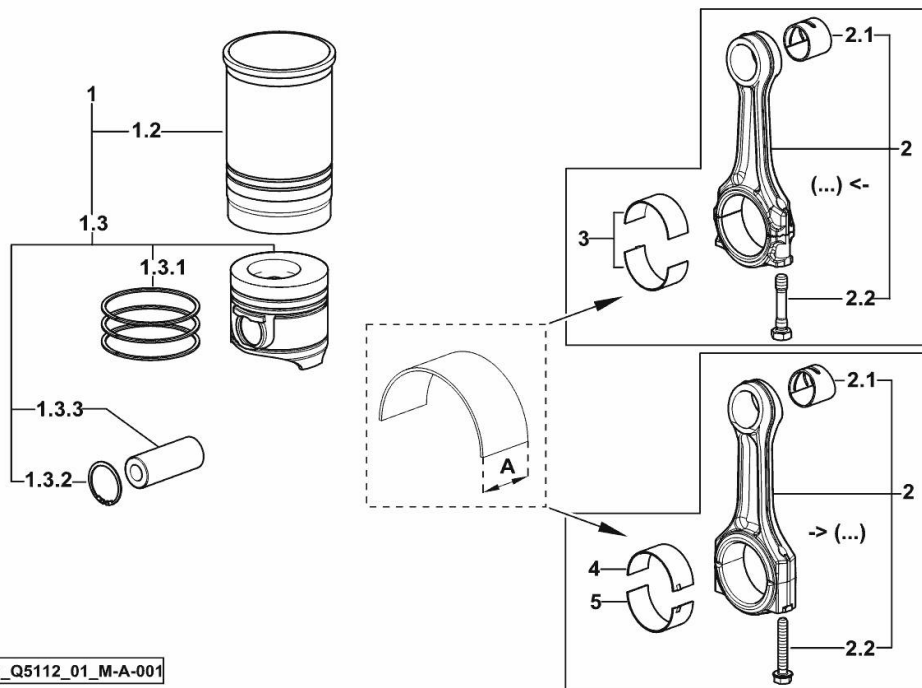
**CYLINDER - PISTON - CONNECTING ROD**

Fig.	P/n	QTY	Name
------	-----	-----	------

**Notes:**

[EXPLORER 90 SPECIAL 2WD -> ZKDT510100TS10001] [EXPLORER 90 SPECIAL 4WD -> ZKDT510200TS10001]

1	0.099.0065.A	4	cyl. piston assembly "A" - CLASS A
1	0.099.0065.B	4	cyl. piston assembly "B" - CLASS B
1.2	0.A12.2675.0	1	engine cylinder "A" - CLASS A
1.2	0.B12.2675.0	1	engine cylinder "B" - CLASS B
1.3	0.099.0060.A	1	complete piston "A" - CLASS A
1.3	0.099.0060.B	1	complete piston "B" - CLASS B
1.3.1	0.081.0090.6/10	1	piston ring set
1.3.2	2.1411.014.1	2	circlip 35
1.3.3	0.078.1236.0	1	piston pin Ø 18 / Ø 35 / L = mm 86
2	0.014.5175.3	4	engine connecting rod (...) <-
2	0.019.2226.3/10	4	engine connecting rod -> (...)
2.1	2.1559.255.0	1	special bushing 34.60x39.130x34.65 (...) <-
2.1	2.1559.532.0	1	special bushing 34.60x39.130x36.65 -> (...)
2.2	2.0399.213.0	2	screw m 12 p.1.25x61.5 (...) <-
2.2	2.0399.365.0	2	screw m 10 p.1.25x61.5 -> (...)
3	0.065.1225.0	8	con.rod half bushing STANDARD - A = 28.75 -> 29.00 (...) <-
3	0.065.1225.7	8	con.rod half bushing - mm 0.25 (...) <-
3	0.065.1225.8	8	con.rod half bushing - mm 0.50 (...) <-
4	0.019.5453.0	4	con.rod half bushing STANDARD - A = 29.85 -> 30.10 -> (...)
5	0.019.5454.0	4	con.rod half bushing STANDARD - A = 29.85 -> 30.10 -> (...)



I9\_Q5112\_01\_M-A-001

**EXPLORER 90 SPECIAL -> ZKDT510200TS10001**

Section: B0 - ENGINE

Ref: B0.04.0 (1)

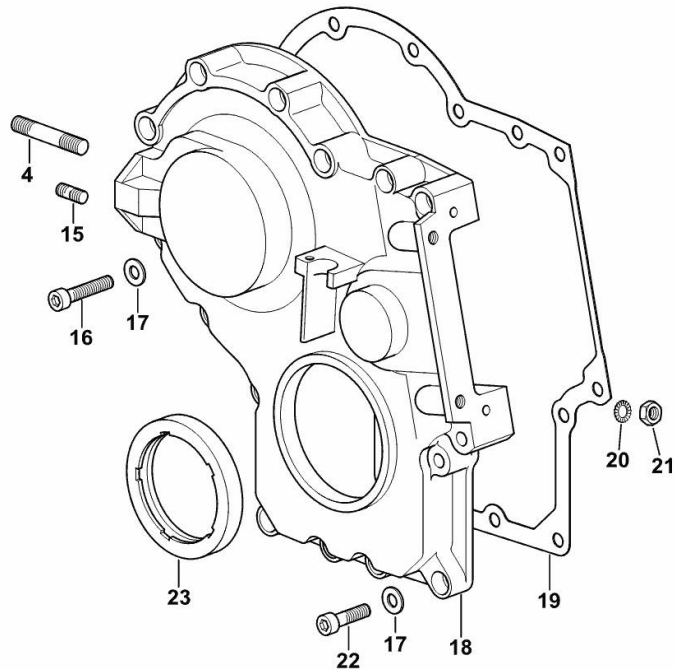
**TIMING CASE**

Fig.	P/n	QTY	Name
------	-----	-----	------

**Notes:**

[EXPLORER 90 SPECIAL 2WD -> ZKDT510100TS10001] [EXPLORER 90 SPECIAL 4WD -> ZKDT510200TS10001]

4	2.0432.009.7	1	stud bolt m 8 p.1.25 / p. 1 x 35
15	2.0432.003.7	1	stud bolt m 8 p.1.25 / p.1 x 20
16	2.0312.214.2	7	screw m 8 p.1.25 x 40
17	2.1480.014.1	15	washer 8
18	0.013.4981.0	1	guard
19	0.065.1150.0/30	1	gasket
20	2.1470.004.2	4	lock washer 8
21	2.1011.405.2	2	nut m 8 p.1
22	2.0312.208.2	8	screw m 8 p.1.25 x 25
23	2.1529.167.0	1	oil seal



19\_O1011\_00\_0-B-001

**EXPLORER 90 SPECIAL -> ZKDT510200TS10001**

Section: B0 - ENGINE

Ref: B0.04.2 (1)

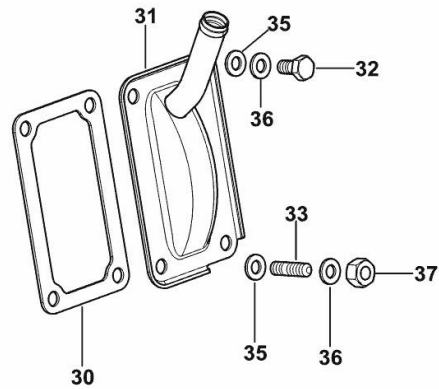
**CASING COVER**

Fig.	P/n	QTY	Name
------	-----	-----	------

**Notes:**

[EXPLORER 90 SPECIAL 2WD -> ZKDT510100TS10001] [EXPLORER 90 SPECIAL 4WD -> ZKDT510200TS10001]

30	0.065.1152.0	1	gasket
31	0.007.0623.2	1	cover
32	2.0112.205.2	2	screw m 8 p.1.25 x 16
33	2.0432.003.7	2	stud bolt m 8 p.1.25 / p.1 x 20
35	2.1310.004.2	4	flat washer 8.4x17
36	2.1470.004.2	4	lock washer 8
37	2.1011.405.2	2	nut m 8 p.1



19\_O2311\_01\_0-A-001



**Suggest:**

**For more complete manuals. Please go to the home page.**

**<https://www.ebooklibonline.com>**

**If the above button click is invalid. Please download this document first, and then click the above link to download the complete manual.**

**Thank you so much for reading**

EXPLORER 90 SPECIAL -> ZKDT510200TS10001

Section: B0 - ENGINE

Ref: B0.04.4 (1)

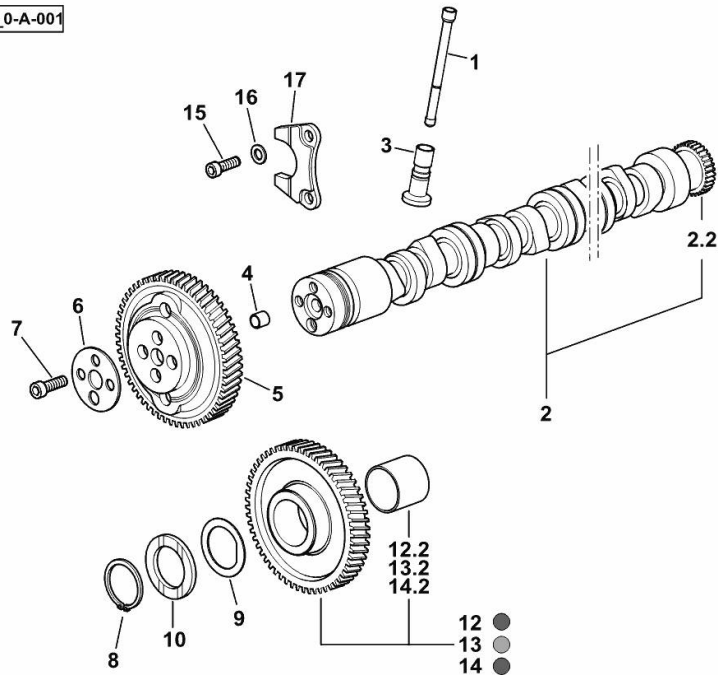
**CAMSHAFT**

Fig.	P/n	QTY	Name
------	-----	-----	------

**Notes:**

[EXPLORER 90 SPECIAL 2WD -> ZKDT510100TS10001] [EXPLORER 90 SPECIAL 4WD -> ZKDT510200TS10001]

19\_Q5113\_00\_0-A-001



1	0.065.1331.2	8	rod
2	0.012.6558.3/10	1	camshaft
2.2	0.065.1324.0/10	1	gear Z = 32
3	0.065.1330.0	8	tappets
4	2.1559.398.0	1	bushing 10.5x13x12
5	0.013.5017.0	1	gear z=58
6	0.065.1350.0	1	small disc
7	2.0132.207.2	4	screw m 10 p.1 x 25
8	2.1410.016.1	1	circlip 40
9	0.065.1352.0	1	shim
10	0.018.2233.0	2	shoulder ring
12	0.007.1177.3/20	0.5	gear z = 57 - WITH RED IDENTIFICATION STAMP
12.2	2.1559.185.0/10	1	bushing
13	0.007.1178.3/20	0.5	gear z = 57 - WITH YELLOW IDENTIFICATION STAMP
13.2	2.1559.185.0/10	1	bushing
14	0.007.1179.3/20		gear z = 57 - WITH GREEN IDENTIFICATION STAMP
14.2	2.1559.185.0/10	1	bushing
15	2.0312.205.2	2	screw
16	2.1480.014.1	2	washer 8
17	0.065.1353.0	1	small plate

EXPLORER 90 SPECIAL -> ZKDT510200TS10001

Section: B0 - ENGINE

Ref: B0.05.1 (1)

CYLINDER HEAD

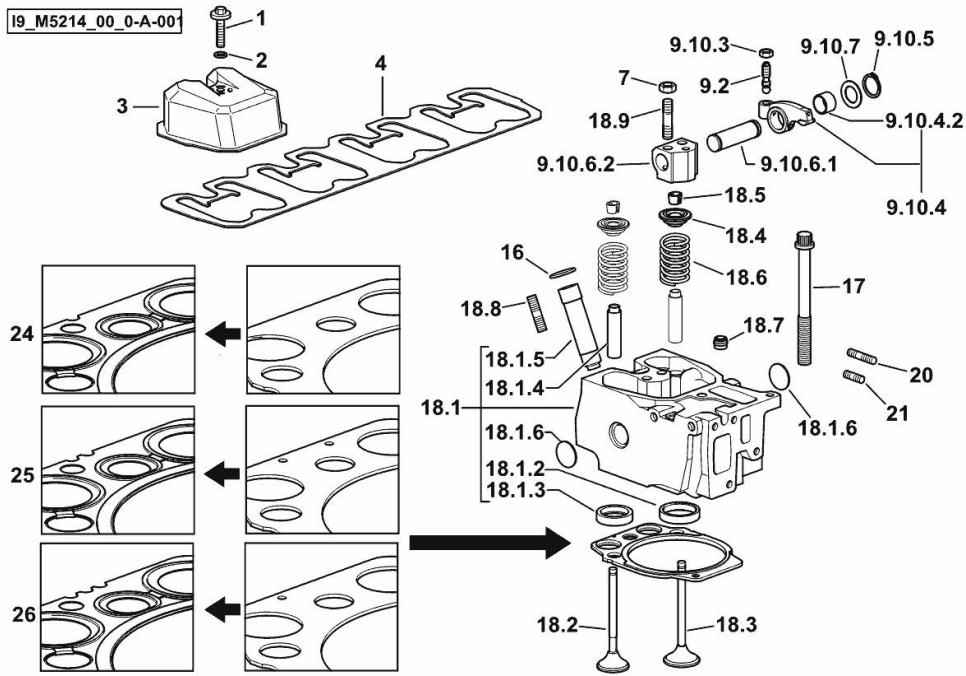


Fig.	P/n	QTY	Name
------	-----	-----	------

Notes:

[EXPLORER 90 SPECIAL 2WD -> ZKDT510100TS10001] [EXPLORER 90 SPECIAL 4WD -> ZKDT510200TS10001]

1	2.0399.288.2/10	4	screw m 8x36x46
2	2.1532.018.0	4	oil seal 9.19 x 2.62
3	0.007.1139.0/10	4	small cap
4	0.065.1450.0/30	1	tappet gasket
7	2.1011.421.2	8	nut m 10 p.1.25
9.2	0.021.1434.0	2	screw
9.10.3	2.1011.405.2	2	nut m 8 p.1
9.10.4	0.066.1432.3	2	rocker arm
9.10.4.2	2.1559.021.0/40	1	bushing 15x19x22
9.10.5	2.1410.055.7	2	circlip 19
9.10.6.1	0.066.1431.0	1	pin
9.10.6.2	0.066.1430.0/10	1	support
9.10.7	2.1599.432.0	2	shoulder ring
16	2.1532.507.0	4	oil seal 17x3.53
17	0.012.2673.0	16	screw m 14 p.2x141
18.1	0.017.0868.3	1	engine head
18.1.2	0.078.1426.0	1	valve seat
18.1.3	0.066.1427.0	1	valve seat
18.1.4	0.007.1779.0/20	2	valve guide
18.1.5	0.012.9984.0/20	1	bush
18.1.6	2.3170.012.2	2	expansion plug Ø 30
18.2	0.010.6022.0	1	exhaust valve mm 39.1 / Ø mm 9
18.3	0.010.6017.0	1	inlet valve mm 43.63 / Ø mm 9
18.4	0.066.1425.0	2	cup
18.5	0.074.1423.0	4	conical valve cotter
18.6	2.4019.287.0	2	spring
18.7	2.1519.117.0	2	special oil seal
18.8	2.0432.161.7	1	stud bolt m 10 p.1.5 / p.1.25 x 40
18.9	2.0432.163.7	2	stud bolt m 10 p.1.5 / p.1.25 x 45
20	2.0432.011.7	4	stud bolt m 8 p.1.25 / p.1 x 40
21	2.0432.005.7	4	stud bolt m 8 p.1.5 / p.1 x 25
24	0.015.9190.0	0.5	head gasket mm 1.2
25	0.015.9191.0	3	head gasket mm 1.4
26	0.015.9192.0	0.5	head gasket mm 1.6

**<https://www.ebooklibonline.com>**

Hello dear friend!

Thank you very much for reading.

Enter the link into your browser.

The full manual is available for immediate download.

**<https://www.ebooklibonline.com>**