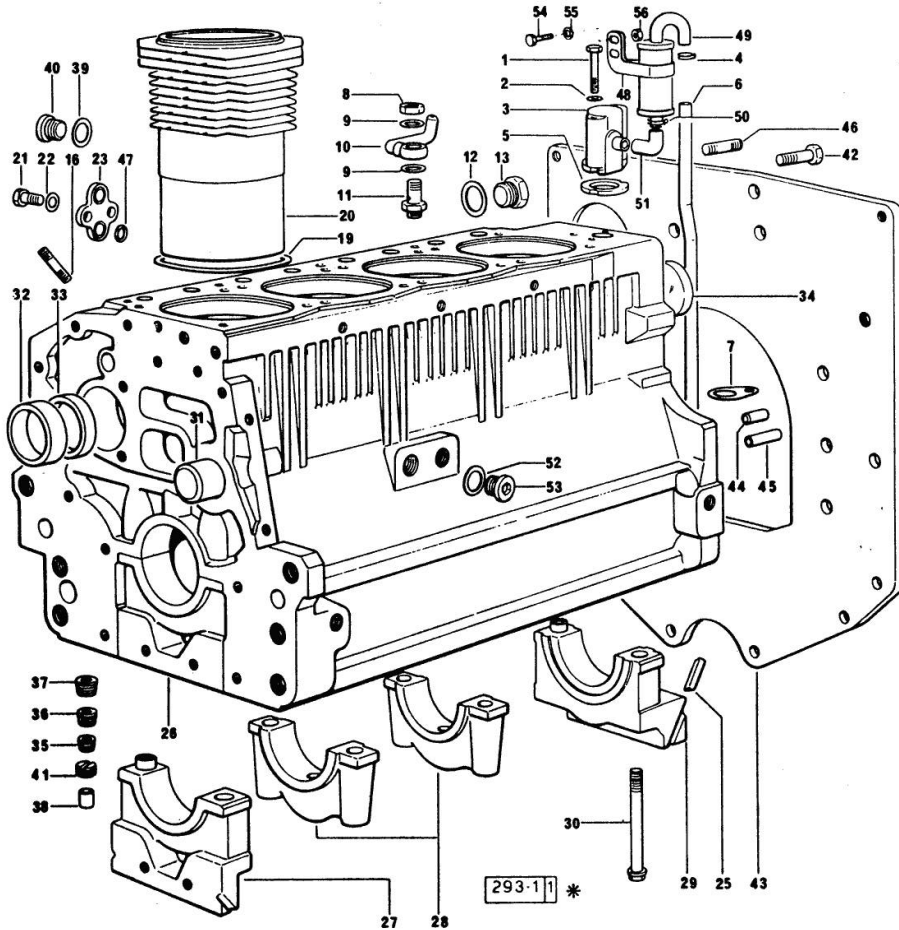


Section: ENGINE
CRANKCASE

Fig.	P/n	QTY	Name
------	-----	-----	------

Notes:
[EXPLORER 75 C]

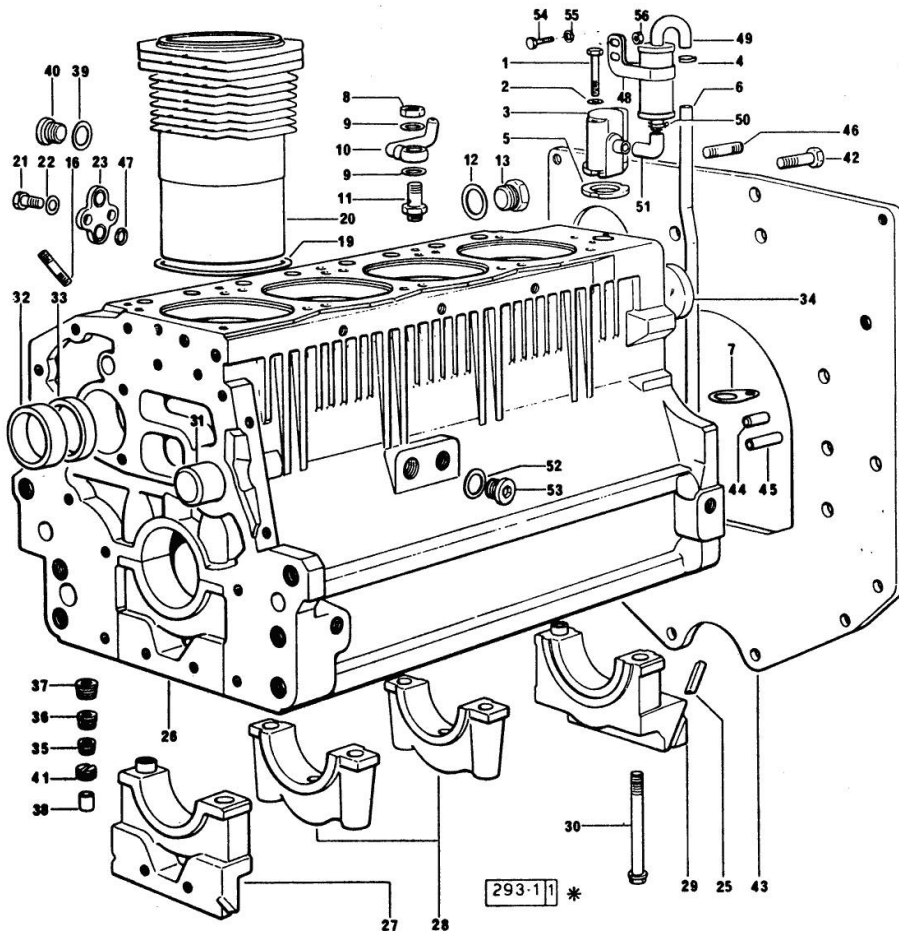


0	0.065.0050.6	1	gasket set 916.4/A
0	0.087.0050.6/10	1	gasket set 1000.4A
1	2.0312.219.2	2	screw m 8 p.1.25x65
2	2.1470.004.2	2	lock washer 8
3	0.065.1143.3/10	1	body
4	2.6859.072.2	1	clamp
5	0.065.1156.0	2	gasket
6	0.065.1155.0/10	1	tube
7	0.065.1157.0	1	bracket
8	2.1099.108.2	4	special nut m 10 p.1
9	2.1560.006.0	8	gasket 10.2 x 16
10	0.086.1550.2	4	sprayer nozzle
11	0.065.1160.3/20	4	valve
12	2.1532.072.0	1	oil seal 26.70x1.78
13	2.3199.405.2	1	plug m 28 p.1.5
16	2.0432.003.7	12	stud bolt m 8 p.1.25 / p.1 x 20
19	2.1519.096.0/20	4	special oil seal 107.67x1.78 X 1000.4 A
19	2.1589.154.0	4	shoulder ring X 916.4 A
19	2.1589.155.0	4	shoulder ring X 916.4 A
19	2.1589.156.0	4	shoulder ring X 916.4 A
20	0.065.1120.0/10	4	engine cylinder X 916.4 A
20	0.085.1120.0/10	4	engine cylinder X 1000.4 A
21	2.0112.207.2	2	screw m 8 p 1.25 x 20
22	2.1470.004.2	2	lock washer 8
23	0.065.1163.0	1	flange
25	0.066.1152.0/10	4	gasket
26	9.06599.41.3	1	crankcase X 1000.4 A
27	0.065.1112.7/10	1	support
27	2.1699.165.0	1	bush 12.3x15x16
28	0.065.1114.0/10	3	support
29	0.065.1116.3	1	support
29	2.1699.165.0	1	bush 12.3x15x16

Section: ENGINE

CRANKCASE

Fig.	P/n	QTY	Name
30	0.065.1117.0	10	screw m 12 x 100
31	0.066.1151.0	1	pin
32	0.065.1141.0	1	special bushing 59X55X30
33	0.065.1140.0	4	special bushing 59X55X20
34	2.3179.012.0	1	plug 60
35	2.3130.001.1	10	plug 1/8" gas
36	2.3130.002.1	2	plug 1/4" gas
37	2.3130.003.1	7	plug 3/8" gas
38	2.3199.092.0	4	plug 8 x 12
39	2.1560.017.0	1	gasket 22.2 x 27
40	2.3120.002.4	1	plug m 22 x 1.5
41	2.1324.011.0	1	plug
42	2.0112.511.2	8	screw m 14 p.2 x 30
43	0.065.1164.0	1	flange
43	0.065.1164.0/10	1	flange 3277 <- >- 3278
44	2.1651.912.0	2	cylindrical plug 12x28
45	2.1651.917.0	1	cylindrical plug 12x40
46	2.0432.255.7	2	stud bolt m 12 p.1.75-1.25x25
47	2.1539.048.0	2	special oil seal 20.35x1.78
48	2.6859.074.2/10	1	clamp
49	0.065.1165.2	1	sediment bowl
50	2.6859.073.2	2	clamp
51	0.065.1166.0	1	sleeve
52	2.1560.017.0	1	gasket 22.2 x 27
54	2.0112.004.2	1	screw m 6 p.1 x 14
55	2.1470.002.2	1	lock washer 6
56	2.1011.103.2	1	nut m 6 p.1



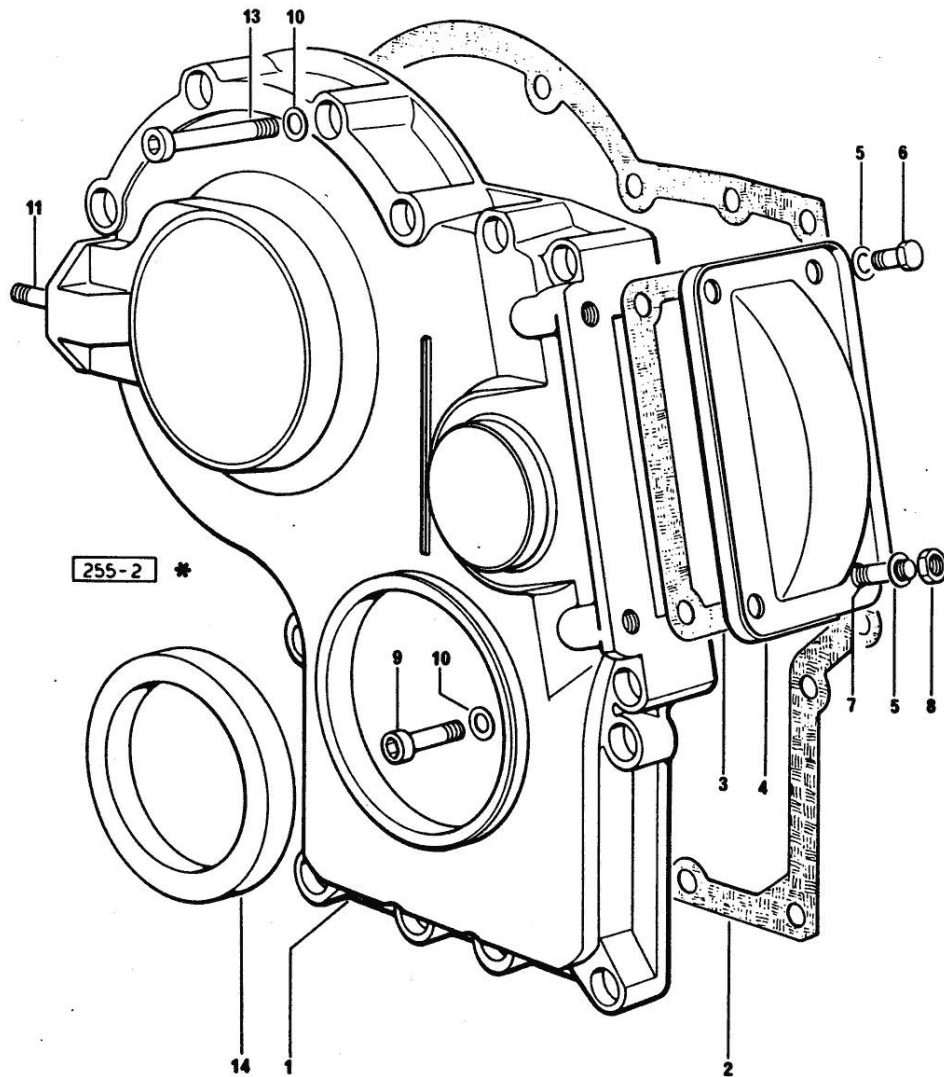
Section: ENGINE

TIMING CASE

Fig.	P/n	QTY	Name
------	-----	-----	------

Notes:
[EXPLORER 75 C]

1	0.065.1132.0/20	1	guard
2	0.065.1150.0/30	1	gasket
3	0.065.1152.0	1	gasket
4	0.065.1151.0	1	cover
5	2.1470.004.2	4	lock washer 8
6	2.0112.205.2	2	screw m 8 p.1.25 x 16
7	2.0432.001.7	2	stud bolt m 8 p.1.25 - 1.00 x 16
8	2.1011.405.2	2	nut m 8 p.1
9	2.0312.208.2	8	screw m 8 p.1.25 x 25
10	2.1480.014.1	15	washer 8
11	2.0432.003.7	2	stud bolt m 8 p.1.25 / p.1 x 20
13	2.0312.214.2	3	screw m 8 p.1.25 x 40
13	2.0312.219.2	4	screw m 8 p.1.25x65
14	2.1529.167.0	1	oil seal



<https://www.ebooklibonline.com>

Hello dear friend!

Thank you very much for reading.

Enter the link into your browser.

The full manual is available for immediate download.

<https://www.ebooklibonline.com>

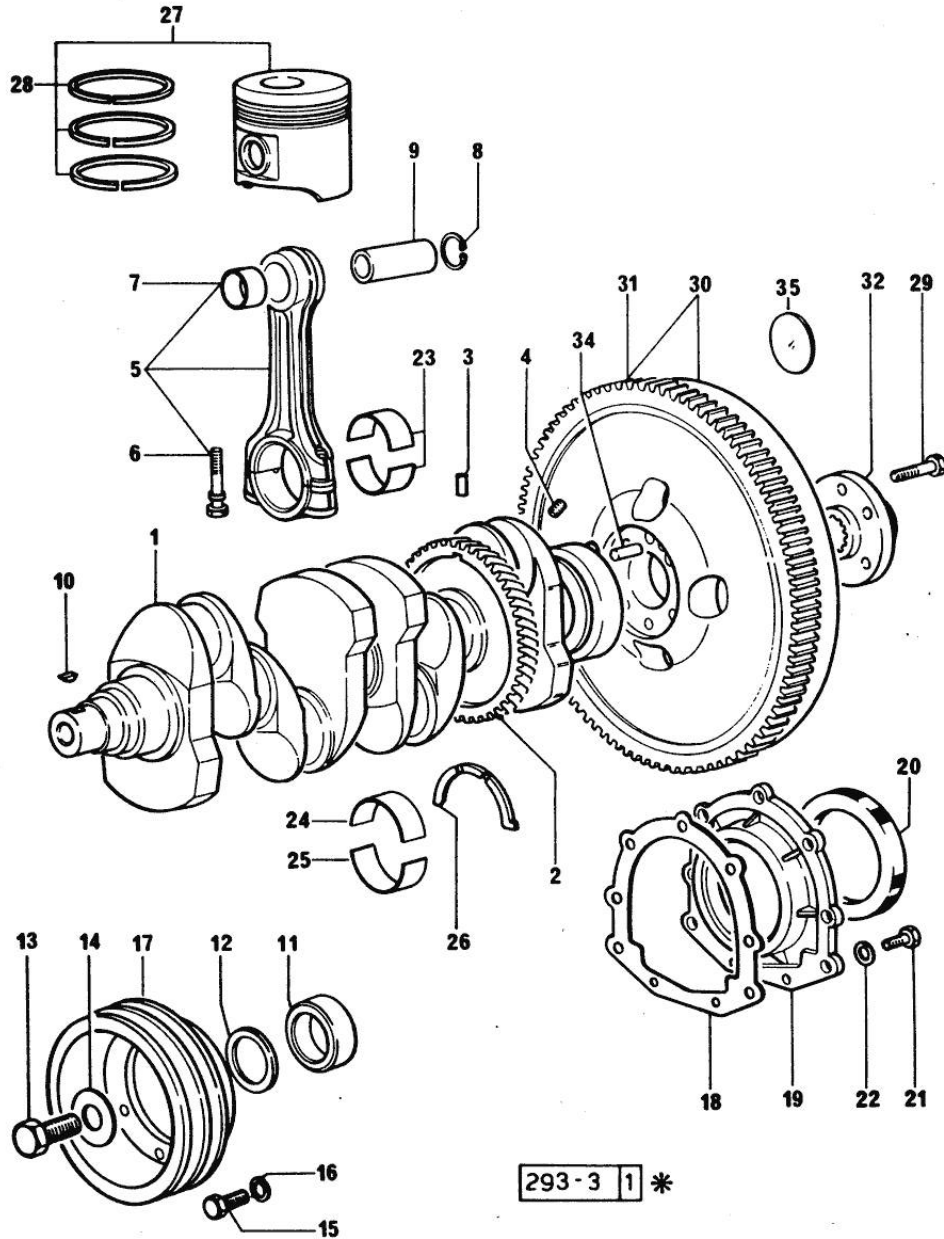
Section: ENGINE

CRANKSHAFT

Fig.	P/n	QTY	Name
------	-----	-----	------

Notes:
[EXPLORER 75 C]

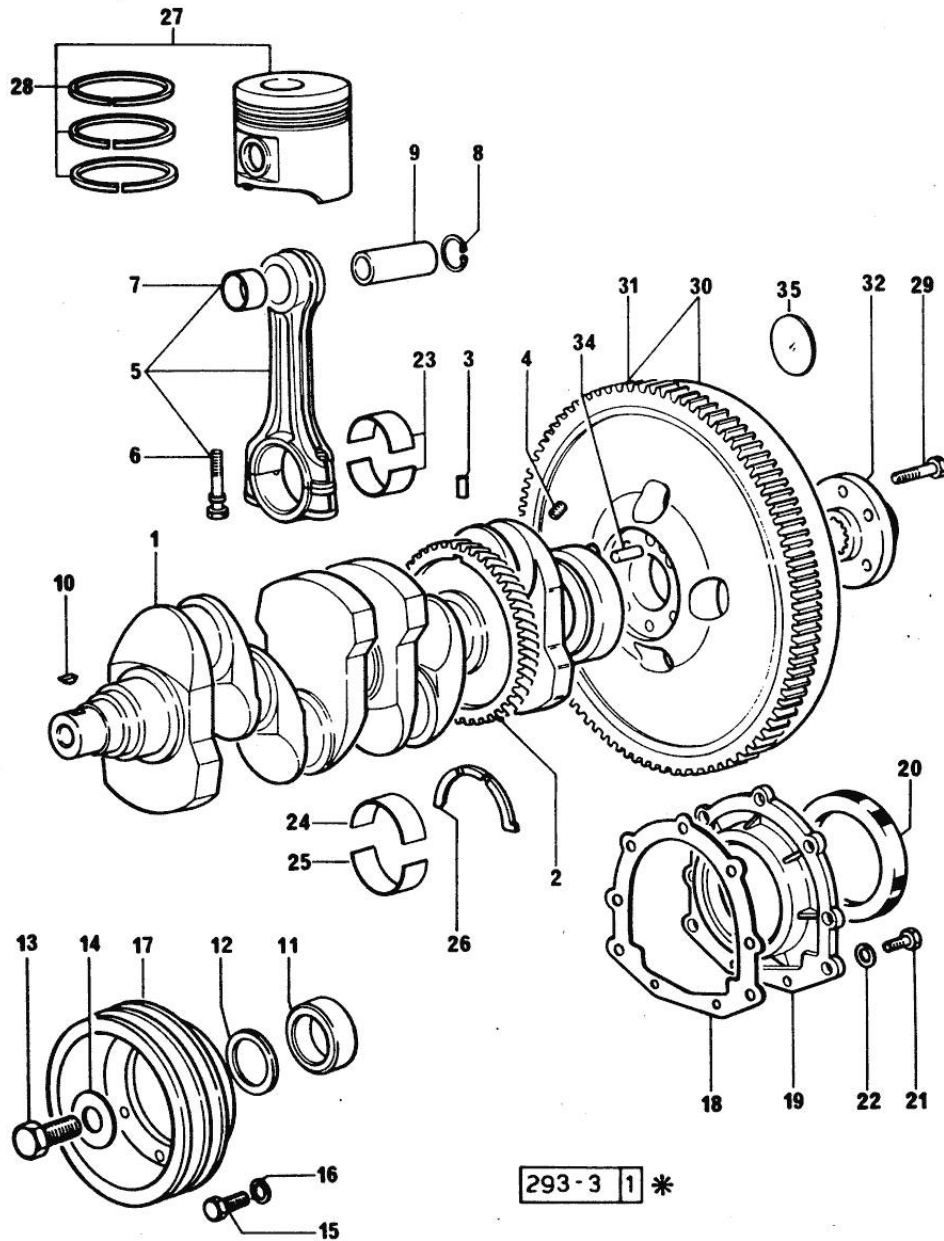
1	0.066.1210.3/20	1	crankshaft -> 4167 FOR 916.4 A ENGINE
2	0.065.1211.0/10	1	crown wheel
3	2.1630.608.0	1	pin 6x16
4	2.3130.001.1	4	plug 1/8" gas
5	0.065.1220.3/30	4	engine connecting rod X 916.4 A
5	0.078.1220.3/30	4	engine connecting rod X 1000.4 A
6	2.0399.213.0	8	screw m 12 p.1.25x61.5
7	0.065.1227.0	4	special bushing X 916.4 A
7	2.1559.114.0/10	4	special bushing X 1000.4 A
8	2.1411.013.7	8	circlip Ø 32 X 916.4 A
8	2.1411.014.1	8	circlip 35 X 1000.4 A
9	0.065.1236.0	4	piston pin X 916.4 A
9	0.078.1236.0	4	piston pin Ø 18 / Ø 35 / L = mm 86 X 1000.4 A
10	2.1720.006.0	2	key 4x6.5
11	0.065.1248.0/40	1	hub (...) <-
11	0.085.1248.0/20	1	hub (...) <-
12	2.1589.136.0	1	shoulder ring 71x110x0.5 (...) <-
12	2.1589.137.0	1	shoulder ring 71x110x1 (...) <-
12	2.1589.189.0	1	shoulder ring mm 1.00 (...) <-
13	2.0399.095.2/10	1	screw
14	2.1599.503.2	1	shoulder ring (...) <-
14	2.1599.524.7	1	washer 21x60x12 (...) <-
15	2.0112.317.2	6	screw m 10 p.1.5 x 45
16	2.1470.006.2	6	lock washer 10
17	0.065.1244.0/20	1	pulley



Section: ENGINE
CRANKSHAFT

Fig.	P/n	QTY	Name
------	-----	-----	------

17	0.085.1244.0	1	(...) <- pulley
18	0.065.1254.0/20	1	(...) <- gasket
19	0.065.1253.0/20	1	cover
20	2.1529.073.0	1	special oil seal 110x130x13
21	2.0112.207.2	9	screw m 8 p 1.25 x 20
22	2.1474.009.2	9	spring washer 8
23	0.065.1225.0	8	con.rod half bushing STANDARD - A = 28.75 -> 29.00
24	0.065.1215.0/10	5	main half bushing STANDARD
25	0.065.1216.0/10	5	main half bushing STANDARD
26	0.065.1218.0	4	shim STANDARD
27	0.069.0060.6	4	complete piston STANDARD X 916.4 A
27	0.086.0060.A	4	complete piston "A" X 1000.4 A
28	0.069.0052.6	4	piston ring set X 916.4 A
28	0.086.0052.6/10	4	piston ring set X 1000.4 A
29	2.0139.022.2	6	screw m 12 p.1.25x55
30	0.066.1247.3/20	1	flywheel
31	0.065.1242.0	1	crown wheel Z = 123
32	0.255.2525.0/10	1	flange
34	2.1651.915.0	1	pin 12x35
35	2.3199.135.2	1	plug

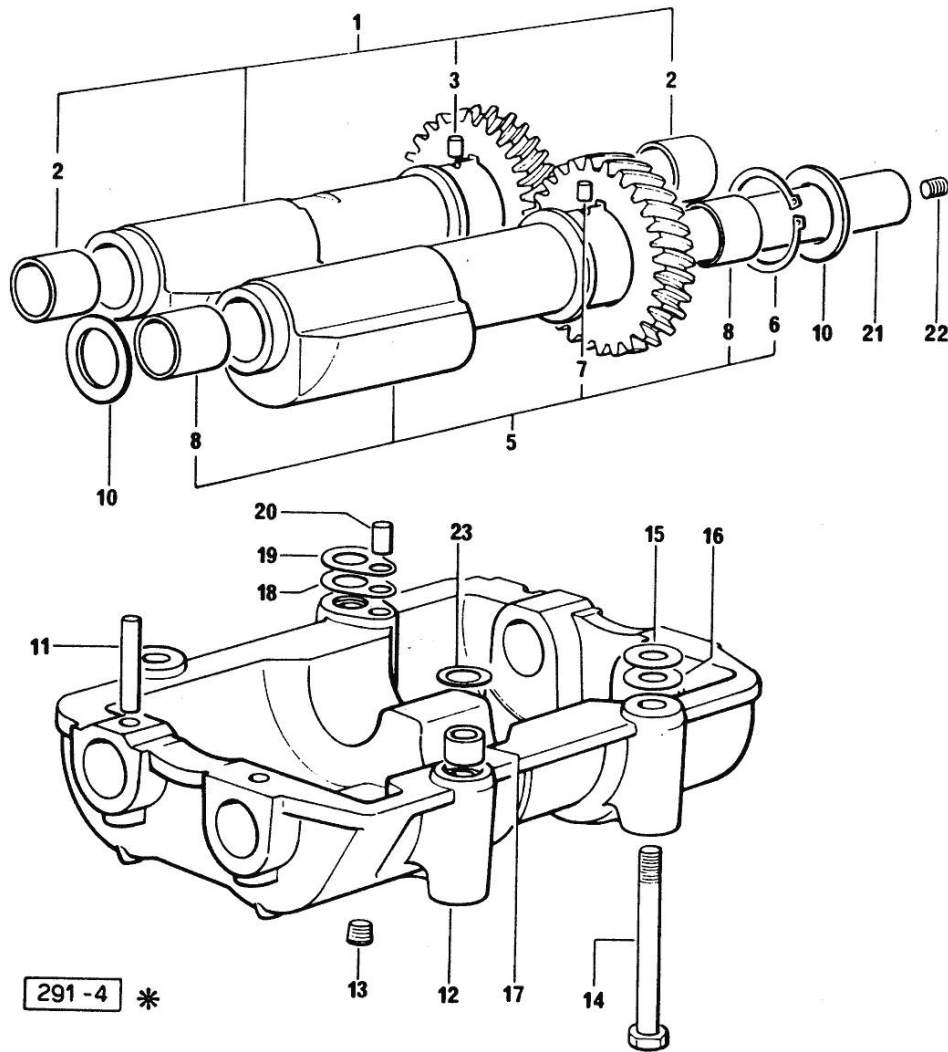


Section: ENGINE
COUNTERWEIGHTS

Fig.	P/n	QTY	Name
------	-----	-----	------

Notes:
 [EXPLORER 75 C]

1	0.086.1233.3/30	1	mass sx/lh/li
2	2.1559.115.0	2	special bushing 26x30x30
3	2.1651.302.0	1	roll pin 4x6
5	0.065.1233.3/30	1	mass dx/rh/re
6	2.1410.018.7	1	circlip 45
7	2.1651.302.0	1	roll pin 4x6
8	2.1559.115.0	2	special bushing 26x30x30
10	2.1589.185.0	4	shoulder ring 26.1x34x1
11	2.1631.717.0	2	roll pin 8 x 40
12	0.086.1231.0/10	1	box
13	2.3130.001.1	4	plug 1/8" gas
14	2.0112.427.2	4	screw m 12 p.1.75 x 90
15	2.1589.049.0	4	shoulder ring 12.5x26x0.3
16	2.1579.629.0	4	spacer 12.5x26x0.1
17	2.1579.626.0	2	spacer 13.2x16x11
18	2.1589.139.0	2	shoulder ring mm 0.3
19	2.1589.140.0	2	shoulder ring mm 0.1
20	2.1699.191.0	1	bush 7x10x16
21	0.065.1234.3	2	old part number
22	2.3130.001.1	2	plug 1/8" gas
23	2.1579.628.0	2	spacer 16.5x26x0.1
23	2.1589.048.0	2	shoulder ring 16.5x26x0.3



Section: ENGINE

CAMSHAFT

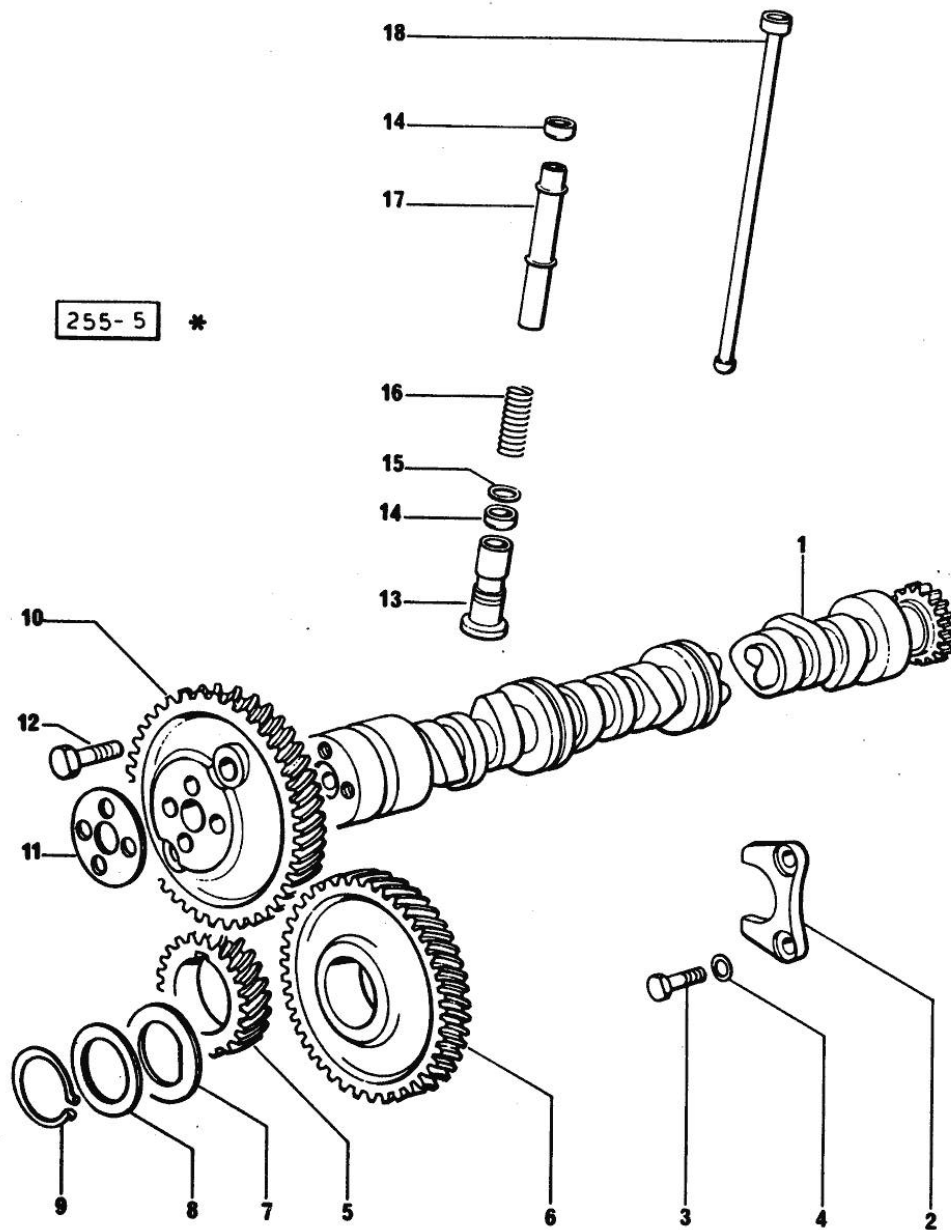


Fig.	P/n	QTY	Name
------	-----	-----	------

Notes:
[EXPLORER 75 C]

1	0.065.1324.0/10	1	gear Z = 32
1	0.066.1310.3/40	1	camshaft
2	0.065.1353.0	1	small plate
3	2.0312.206.2	2	screw m 8 p 1.25 x 20
4	2.1480.014.1	2	washer 8
5	065.1323.0/20	1	-
6	065.1325.3/20	1	-
6	2.1559.185.0/10	1	bushing
7	065.1351.0	2	-
8	0.065.1352.0	1	shim
9	2.1410.016.1	1	circlip 40
10	0.013.5017.0	1	gear z=58
11	0.065.1350.0	1	small disc
12	2.0132.207.2	4	screw m 10 p.1 x 25
13	0.065.1330.0	8	tappets
14	2.1569.114.0/10	16	gasket 14x18.5x8
15	2.1599.437.0	8	shoulder ring
16	2.4019.300.1/10	8	spring 18.5x52x2
17	0.065.1332.0	8	sleeve
18	0.065.1331.2	8	rod

Section: ENGINE
CYLINDER HEAD

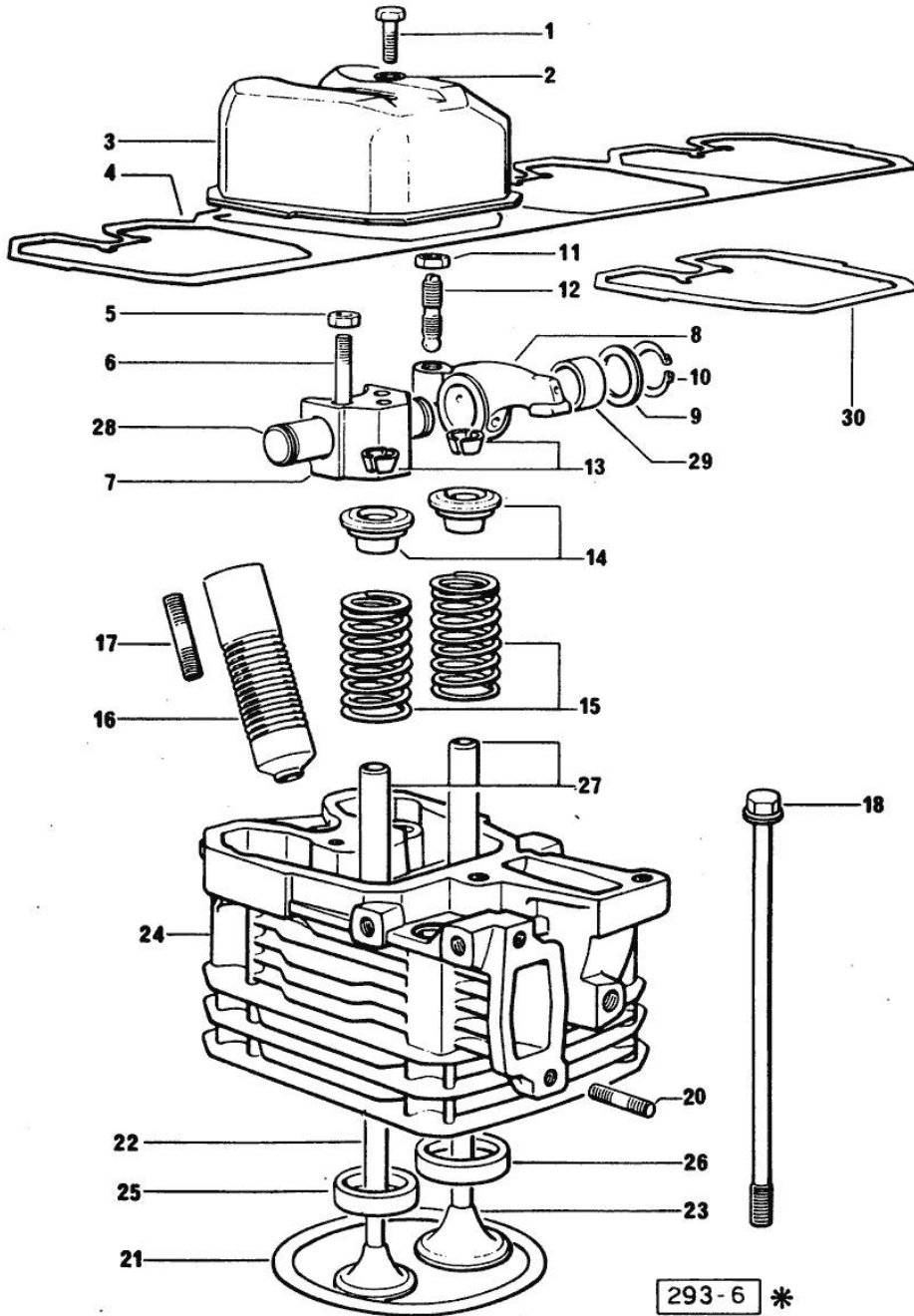


Fig.	P/n	QTY	Name
Notes: [EXPLORER 75 C]			
0	0.065.0057.6	4	gasket set FOR GRINDING VALVES OF ONE CYLINDER AND PISTON RING RENEWAL FOR 916.4A ENGINE
0	0.085.0057.6/10	4	gasket set FOR GRINDING VALVES OF ONE CYLINDER AND PISTON RING RENEWAL FOR 1000.4A ENGINE
1	2.0112.211.2	4	screw m 8 p.1.25 x 30
2	2.1569.170.0/10	4	gasket 8.2 x 14
3	0.066.1440.0/10	4	small cap
4	0.065.1450.0/30	1	tappet gasket
5	2.1011.321.2	8	nut m 10 p.1.25
6	2.0432.163.7	8	stud bolt m 10 p.1.5 / p.1.25 x 45
7	0.066.1430.0/10	4	support
8	0.066.1432.3	8	rocker arm
9	2.1599.432.0	8	shoulder ring
10	2.1410.055.7	8	circlip 19
11	2.1011.405.2	8	nut m 8 p.1
12	0.021.1434.0	8	screw
13	0.074.1423.0	8	conical valve cotter
14	0.066.1425.0	8	cup
15	2.4019.287.0	8	spring
16	0.065.1413.0/10	4	bush L = mm 97.1
17	2.0432.161.7	4	stud bolt m 10 p.1.5 / p.1.25 x 40
18	0.065.1443.0/20	16	screw
20	2.0432.007.2	8	stud bolt m 8 p.1.25 / p.1 x 30
21	0.085.1450.0/10	4	head gasket mm 0.50 X 1000.4 A
21	0.085.1451.0/10	4	head gasket mm 0.7 X 1000.4 A
21	0.085.1452.0/10	4	head gasket mm 1.0 X 1000.4 A
21	0.085.1453.0/10	4	head gasket mm 0.8 X 1000.4 A
21	2.1569.112.0	4	gasket X 916.4 A
22	0.066.1421.0	4	exhaust valve
23	0.010.6016.0	4	inlet valve mm 43.63 / Ø mm 9 X 1000.4 A
23	0.066.1420.0	4	inlet valve Ø mm 9 X 916.4 A
24	0.065.1410.3/20	4	engine head

Section: ENGINE
CYLINDER HEAD

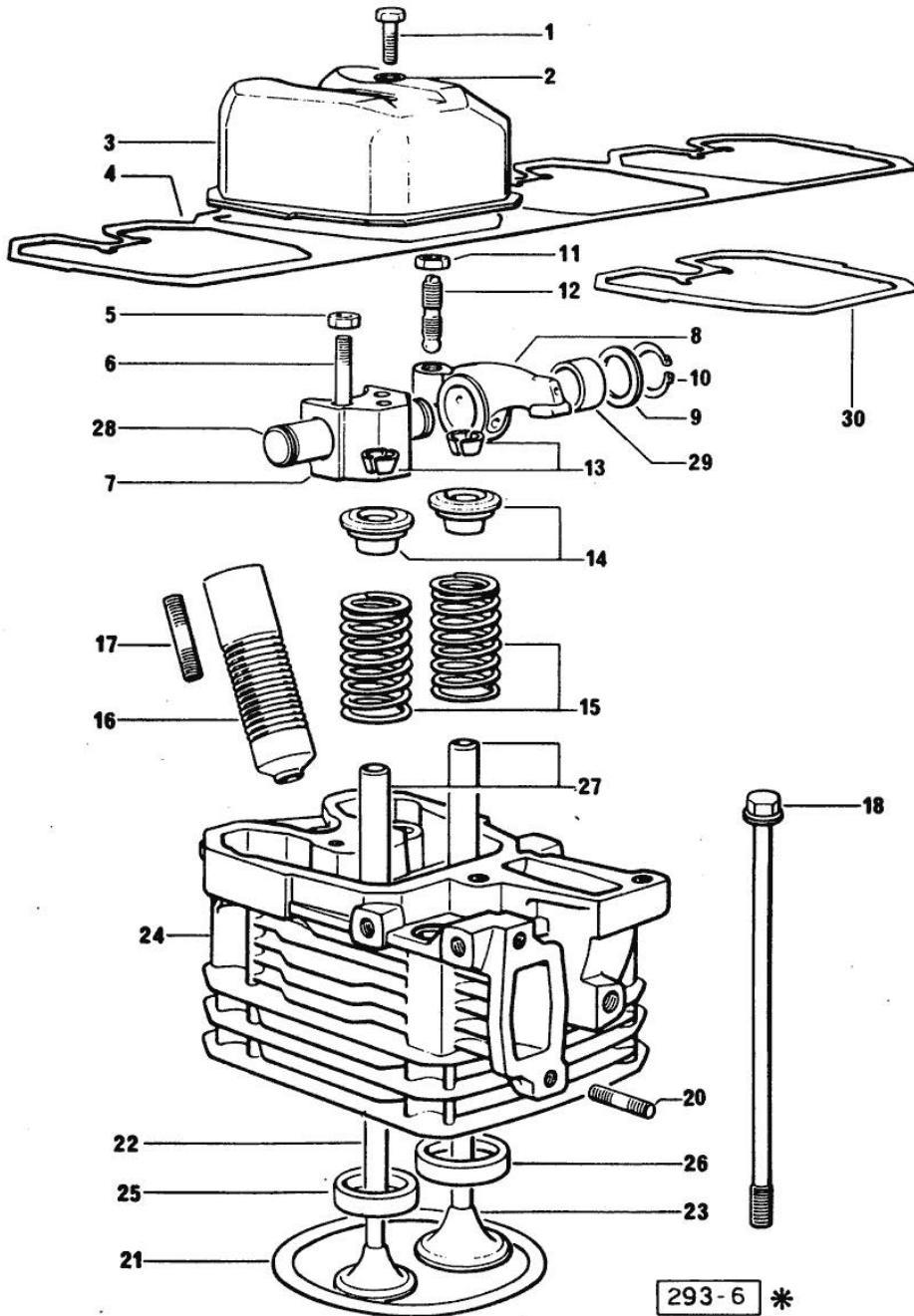


Fig.	P/n	QTY	Name
24	0.081.1410.3/10	4	X 916.4 A engine head X 1000.4 A
25	0.066.1427.0	4	valve seat
26	0.066.1426.0	4	valve seat X 916.4 A
26	0.078.1426.0	4	valve seat X 1000.4 A
27	0.007.1779.0/20	8	valve guide
28	0.066.1431.0	4	pin
29	2.1559.021.0/40	8	bushing 15x19x22
30	0.066.1450.0	4	tappet gasket

293-6 *

Section: ENGINE
LUBRICATION

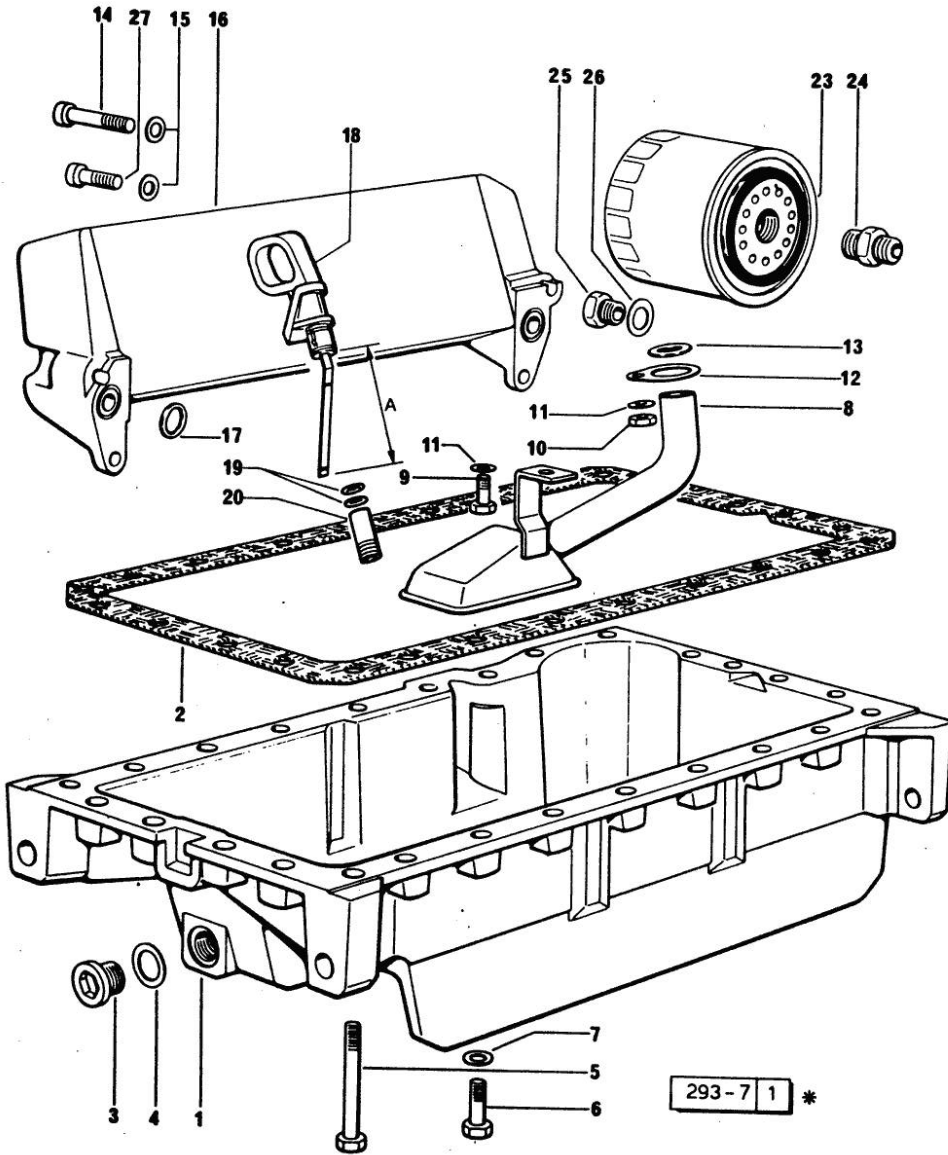


Fig.	P/n	QTY	Name
------	-----	-----	------

Notes:
[EXPLORER 75 C]

1	0.065.1510.0/20	1	oil sump
2	0.065.1550.0/10	1	gasket
3	2.3199.001.2	1	plug 1/2" gas
4	2.1560.054.0	1	gasket 21 x 26
5	2.0112.227.2	6	screw m 8 p.1.25 x 90
5	2.0112.235.2	3	screw m 8 p.1.25 x 130
6	2.0112.215.2	17	screw m 8 p.1.25 x 40
7	2.1470.004.2	1	lock washer 8
8	0.065.1531.3/30	1	tube
9	2.0112.205.2	1	screw m 8 p.1.25 x 16
10	2.1011.105.2	1	nut m 8 p.1.25
11	2.1470.004.2	2	lock washer 8
12	0.065.1538.0	1	flange
13	2.1539.040.0	1	special oil seal 21.82 x 3.53
14	2.0312.216.2	2	screw m 8 p.1.25x50
15	2.1310.004.2	2	flat washer 8.4x17
16	0.007.7320.3	1	oil cooler
17	2.1539.048.0	2	special oil seal 20.35x1.78
18	0.066.1513.2/10	1	dipstick mm 106 WITH SPACER
18	0.086.1513.2/30	1	dipstick WITHOUT SPACER
19	2.1539.065.0	2	special oil seal 8.73 x 1.78
20	0.066.1551.0	1	spacer
23	0.044.1567.0	1	oil filter element
24	2.3339.307.0	1	pipe fitting m 22 p.1.5-3/4"
25	2.3339.353.2	1	pipe fitting (...) <-
25	2.3339.353.2/20	1	pipe fitting 12 p.1.5-18 p.1.5 (...) <-
26	2.1560.014.0	1	washer 18.2 x 24
27	2.0399.125.2/10	2	screw m 8 x 55

Section: ENGINE
LUBRICATION 2393 <=

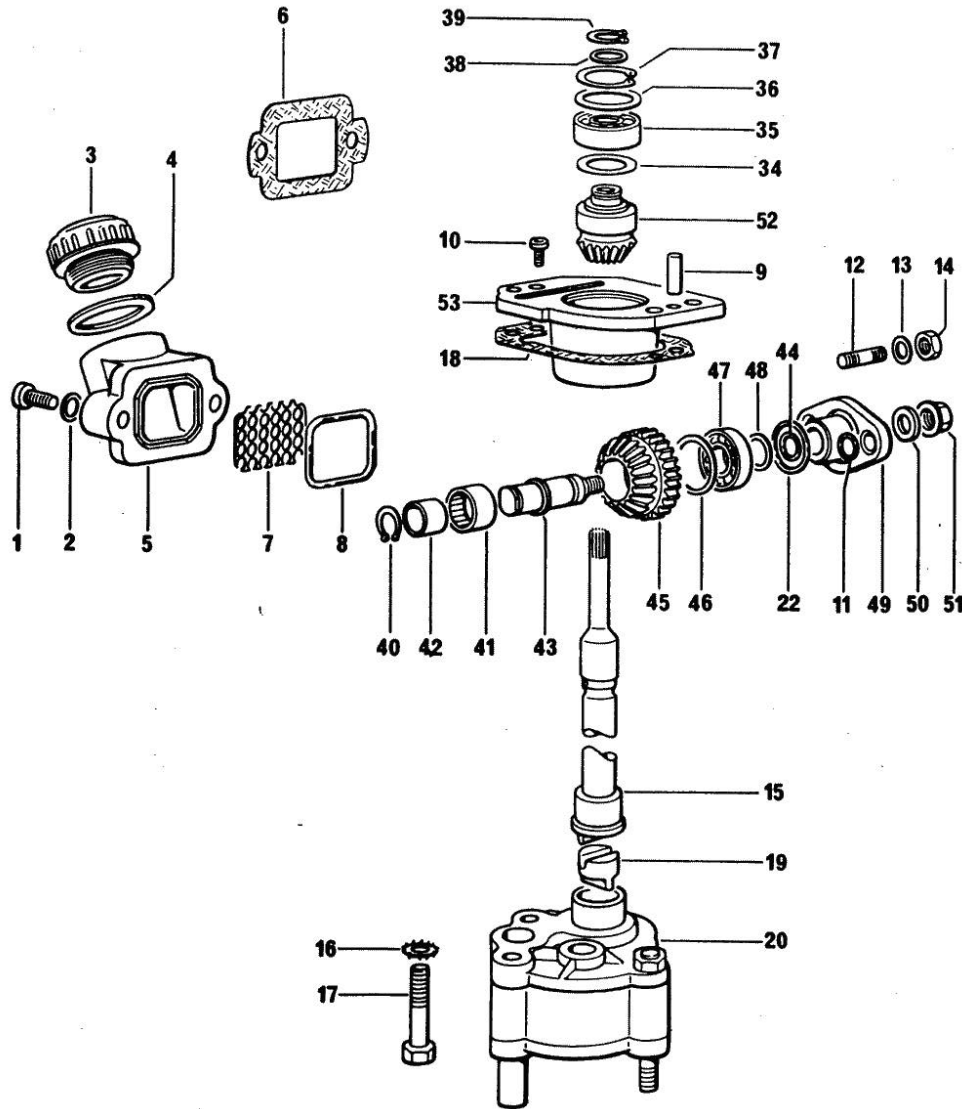


Fig.	P/n	QTY	Name
------	-----	-----	------

Notes:
 [EXPLORER 75 C]

1	2.0312.206.2	2	screw m 8 p 1.25 x 20
2	2.1480.014.1	2	washer 8
3	0.041.1135.4	1	plug 1" gas
4	2.1569.072.0	1	gasket 32 x 39.5 x 2
5	0.065.1565.0/10	1	pipe union
6	0.065.1566.0	1	gasket
7	0.065.1567.0/10	1	filter
8	2.1539.042.0	1	special oil seal 47.35x1.78
9	2.1651.711.0	2	pin 8 x 14
10	2.0169.005.2	2	screw m 6 p.1 x 12
11	2.1530.016.0	2	oil seal 8.73 x 1.78
12	2.0439.151.2	2	stud bolt
13	2.1470.004.2	2	lock washer 8
14	2.1011.405.2	2	nut m 8 p.1
15	0.065.1569.0/40	1	shaft
16	2.1470.006.2	1	lock washer 10
17	2.0112.324.2	2	screw m 10 p.1.5x75
18	0.065.1560.0/30	1	gasket
19	0.065.1562.0/10	1	joint
20	0.010.5441.4/10	1	oil pump
22	2.1530.053.0	1	oil seal 20.35x1.78
34	2.1589.148.0	1	shoulder ring 28.2 x 31.8 x 0.5
35	2.2020.001.0	1	ball bearing 15 x 32 x 8.00
36	2.1589.150.0	1	shoulder ring 28.2 x 31.8 x 0.1
36	2.1589.151.0	1	shoulder ring 28.2 x 31.8 x 0.15
37	2.1411.013.7	1	circlip Ø 32
38	2.1589.146.0	1	shoulder ring 15.2 x 19 x 0.15
38	2.1589.147.0	1	shoulder ring 15.2 x 19 x 0.10
38	2.1589.153.0	1	shoulder ring 15.2 x 19 x 1.00
39	2.1410.057.1	1	circlip 15
40	2.1410.002.1	1	circlip 12
41	2.2725.016.0	1	roller cage 15 x 21 x 12
42	2.2680.020.0	1	ring 12 x 15 x 12
43	0.065.1564.0	1	pin
44	2.1530.016.0	1	oil seal 8.73 x 1.78
45	0.065.1558.6/10	1	bevel drive
46	2.1589.152.0	1	shoulder ring
47	2.2030.002.0	1	ball bearing 12 x 28 x 8
48	2.1589.143.0	1	shoulder ring mm 0.5
48	2.1589.144.0	1	shoulder ring mm 0.15
48	2.1589.145.0	1	shoulder ring mm 0.10

291-8 *

Section: ENGINE
LUBRICATION 2393 <=

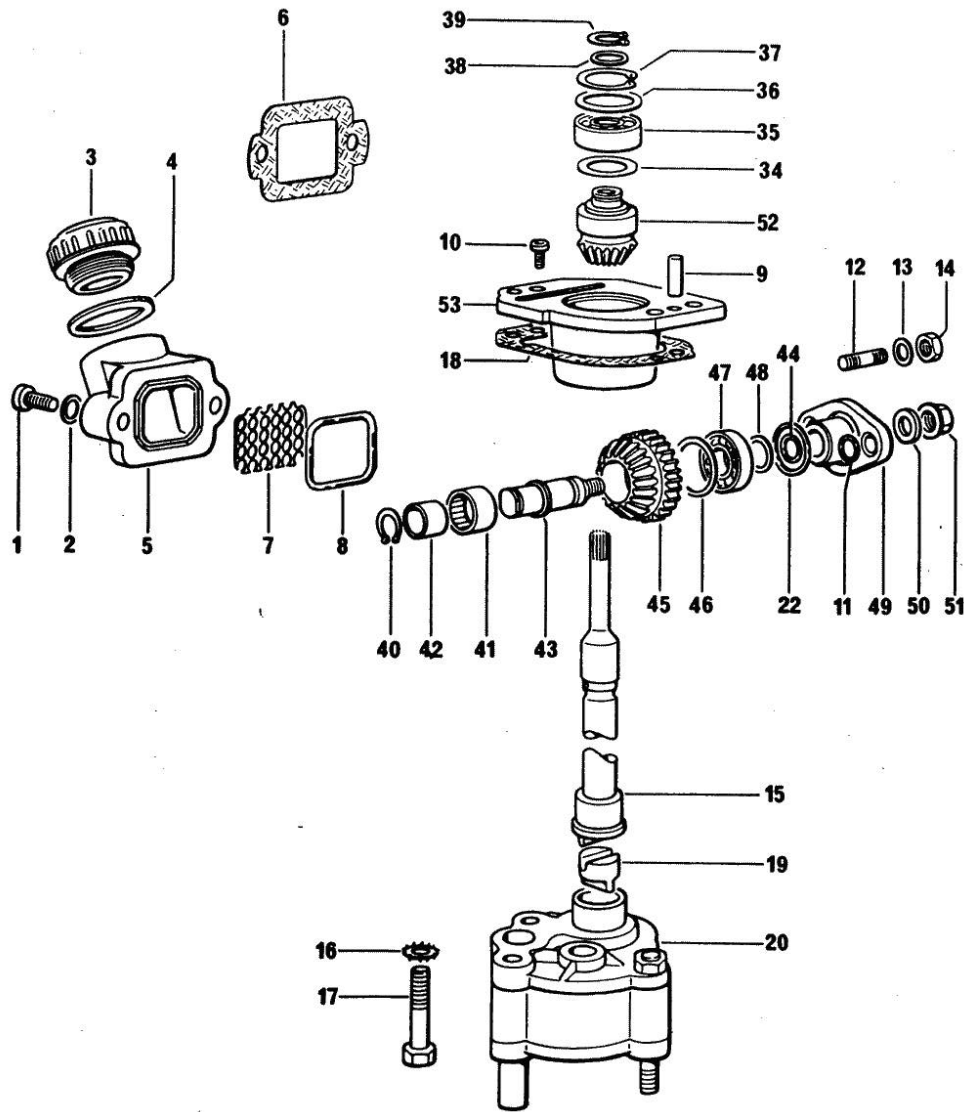


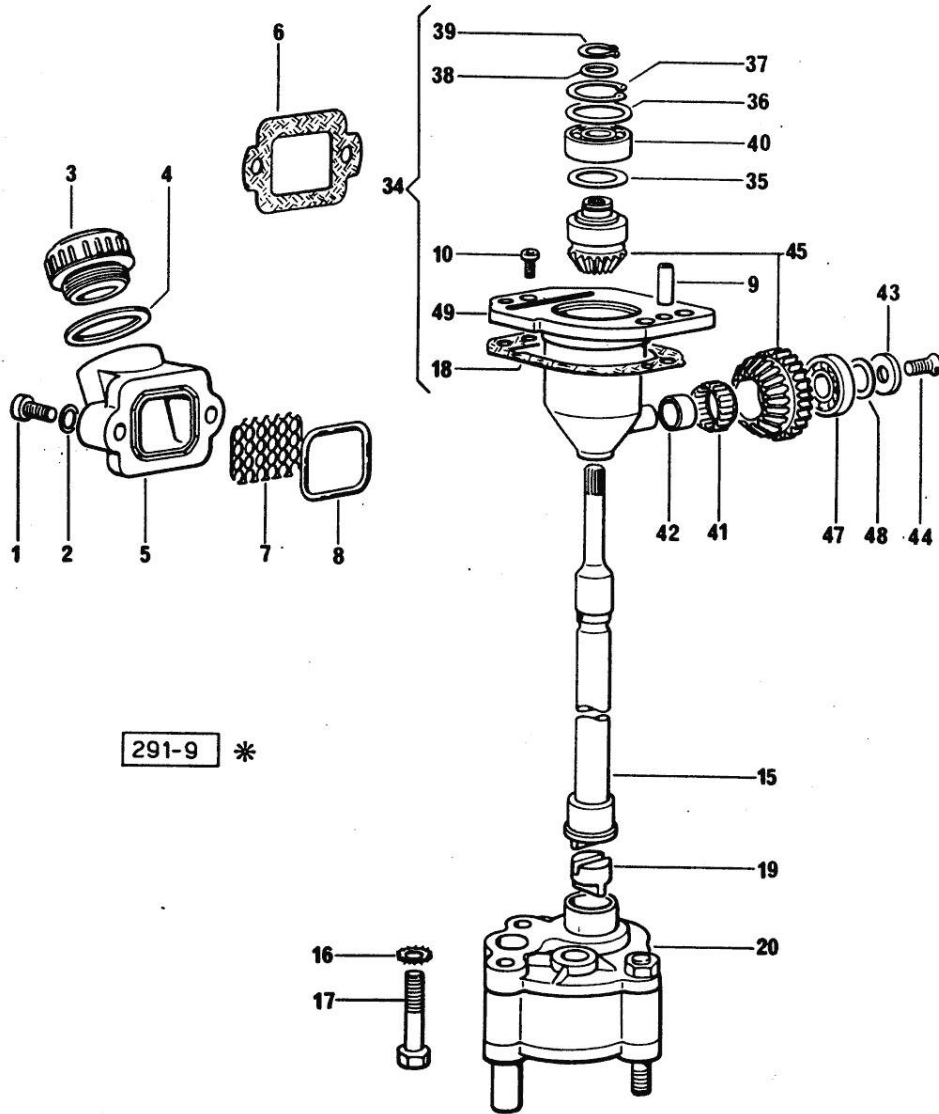
Fig.	P/n	QTY	Name
49	0.065.1563.0/10	1	flange
50	2.1599.477.0	1	shoulder ring
51	2.1099.094.0	1	self-locking nut
52	0.065.1558.6/10	1	bevel drive
53	0.065.1557.3	1	support

291-8 *

Fig.	P/n	QTY	Name
------	-----	-----	------

Notes:
[EXPLORER 75 C]

1	2.0312.206.2	2	screw m 8 p 1.25 x 20
2	2.1480.014.1	2	washer 8
3	0.041.1135.4	1	plug 1" gas
4	2.1569.072.0	1	gasket 32 x 39.5 x 2
5	0.065.1565.0/10	1	pipe union
6	0.065.1566.0	1	gasket
7	0.065.1567.0/10	1	filter
8	2.1539.042.0	1	special oil seal 47.35x1.78
9	2.1651.711.0	2	pin 8 x 14
10	2.0169.005.2	2	screw m 6 p.1 x 12
15	0.065.1569.0/40	1	shaft
16	2.1470.006.2	2	lock washer 10
17	2.0112.324.2	2	screw m 10 p.1.5x75
18	0.065.1560.0/30	1	gasket
19	0.065.1562.0/10	1	joint
20	0.010.5441.4/10	1	oil pump
34	0.075.1551.4/30	1	support
35	2.1589.148.0	1	shoulder ring 28.2 x 31.8 x 0.5
36	2.1589.148.0	1	shoulder ring 28.2 x 31.8 x 0.5
36	2.1589.150.0	1	shoulder ring 28.2 x 31.8 x 0.1
36	2.1589.151.0	1	shoulder ring 28.2 x 31.8 x 0.15
37	2.1411.013.7	1	circlip Ø 32
38	2.1589.146.0	1	shoulder ring 15.2 x 19 x 0.15
38	2.1589.147.0	1	shoulder ring 15.2 x 19 x 0.10
38	2.1589.153.0	1	shoulder ring 15.2 x 19 x 1.00
39	2.1410.057.1	1	circlip 15
40	2.2020.001.0	1	ball bearing 15 x 32 x 8.00
41	2.2725.016.0	1	roller cage 15 x 21 x 12
42	2.2680.020.0	1	ring 12 x 15 x 12
43	2.1599.483.0	1	shoulder ring
44	2.0342.202.3	1	screw m 6 x 12
45	0.065.1558.6/10	1	bevel drive
47	2.2030.002.0	1	ball bearing 12 x 28 x 8
48	2.1589.143.0	1	shoulder ring mm 0.5
48	2.1589.144.0	1	shoulder ring mm 0.15
48	2.1589.145.0	1	shoulder ring mm 0.10
49	0.075.1551.3	1	old part number





Suggest:

For more complete manuals. Please go to the home page.

<https://www.ebooklibonline.com>

If the above button click is invalid. Please download this document first, and then click the above link to download the complete manual.

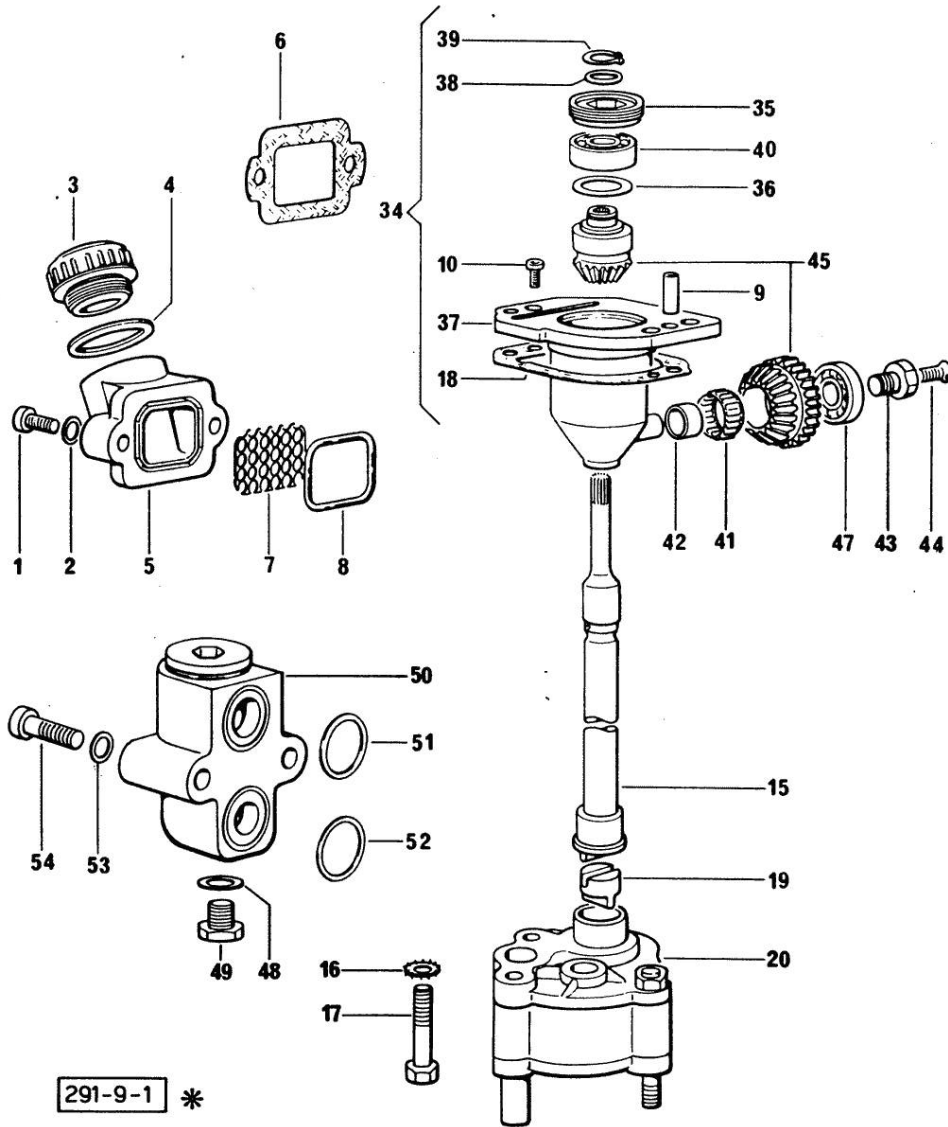
Thank you so much for reading

Section: ENGINE
LUBRICATION => (...)

Fig.	P/n	QTY	Name
------	-----	-----	------

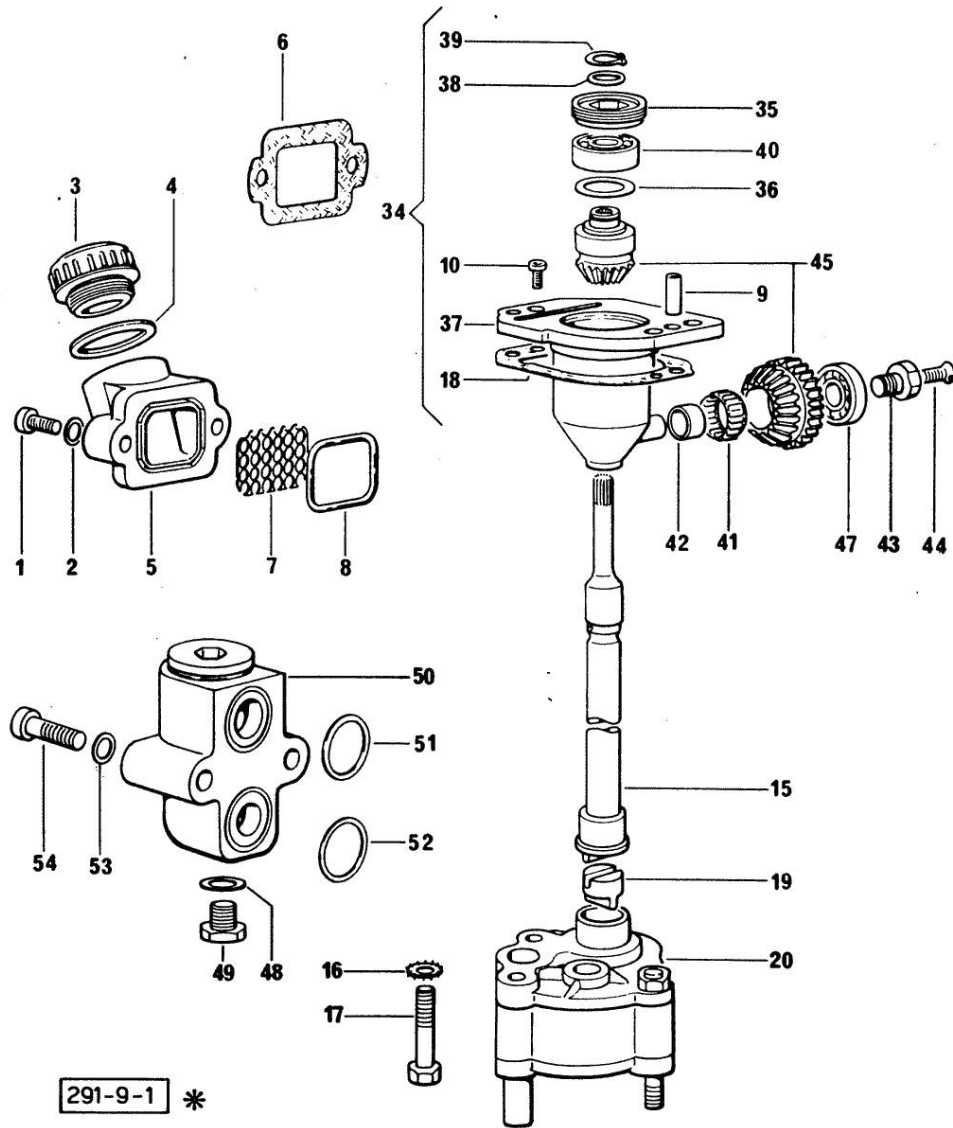
Notes:
[EXPLORER 75 C]

1	2.0312.206.2	2	screw m 8 p 1.25 x 20
2	2.1480.014.1	2	washer 8
3	0.041.1135.4	1	plug 1" gas
4	2.1569.072.0	1	gasket 32 x 39.5 x 2
5	0.065.1565.0/10	1	pipe union
6	0.065.1566.0	1	gasket
7	0.065.1567.0/10	1	filter
8	2.1539.042.0	1	special oil seal 47.35x1.78
9	2.1651.711.0	2	pin 8 x 14
10	2.0169.005.2	2	screw m 6 p.1 x 12
15	0.065.1569.0/40	1	shaft
16	2.1470.006.2	2	lock washer 10
17	2.0112.324.2	2	screw m 10 p.1.5x75
18	0.065.1560.0/30	2	gasket
19	0.065.1562.0/10	1	joint
20	0.010.5441.4/10	1	oil pump
34	0.075.1551.4/30	1	support
35	2.1219.025.2	1	ring nut m 36 p.1
35	2.1219.025.2/10	1	(...) <- ring nut m 36 p.1.5 (...) <-
36	2.1589.148.0	1	shoulder ring 28.2 x 31.8 x 0.5
36	2.1589.150.0	1	shoulder ring 28.2 x 31.8 x 0.1
36	2.1589.151.0	1	shoulder ring 28.2 x 31.8 x 0.15
37	0.075.1551.3/40	1	support
38	2.1589.146.0	1	shoulder ring 15.2 x 19 x 0.15
38	2.1589.147.0	1	shoulder ring 15.2 x 19 x 0.10
38	2.1589.153.0	1	shoulder ring 15.2 x 19 x 1.00
39	2.1410.057.1	1	circlip 15
40	2.2020.001.0	1	ball bearing 15 x 32 x 8.00
41	2.2725.016.0	1	roller cage 15 x 21 x 12
42	2.2680.020.0	1	ring 12 x 15 x 12
43	2.0399.128.2	1	screw (...) <- (...) <-
43	2.0399.128.2/10	1	screw m 8 p.1 x 8 (...) <- (...) <-
44	2.0342.007.6	1	screw m 4 p.0.7 x 30
45	0.065.1558.6/20	1	-
47	2.2030.002.0	1	ball bearing 12 x 28 x 8
48	2.1560.010.0	1	gasket 14.2 x 20
49	2.3110.403.2	1	plug m 14



Section: ENGINE
LUBRICATION => (...)

Fig.	P/n	QTY	Name
50	0.065.1581.4/20	1	valve
51	2.1539.048.0	1	special oil seal 20.35x1.78
52	2.1539.072.0	1	special oil seal 23.52 x 1.78
53	2.1480.014.1	1	washer 8
54	2.0312.215.2	2	screw



<https://www.ebooklibonline.com>

Hello dear friend!

Thank you very much for reading.

Enter the link into your browser.

The full manual is available for immediate download.

<https://www.ebooklibonline.com>