



| KEY | PART NO.  | PART NAME       | QTY | REMARKS  |
|-----|-----------|-----------------|-----|--|
| 1   | LG808647  | CYLINDER BLOCK  | 1   |  |
| 2   | LG808534  | BUSHING         | 1   |  |
| 3   | LG805101S | SEAL            | 1   |  |
| 4   | M145399   | SLEEVE          | 1   | DOWEL, (SUB FOR LG690684)  |
| 5   | 15H623    | DRAIN PLUG      | 3   | 3/8", (A) OIL (PAN) (SUB FOR LG690946)   |
| 6   | AM125424  | OIL FILTER      | 1   | (SUB FOR LG492932S)  |
| 7   | LG808537  | ADAPTER FITTING | 1   |  |
| 8   | LG692063  | GASKET          | 1   | (SUB FOR LG805250)   |
| 9   | LG690706  | LOCK WASHER     | 1   |  |
| 10  | LG690682  | STUD            | 1   |  |
| 11  | LG690679  | CAP SCREW       | 1   |  |
| 12  | LG805049S | SEAL            | 2   | (A)  |
| 13  | LG690704  | WASHER          | 1   | (A)  |
| 14  | MIU12287  | GASKET          | 1   | NLA; ORDER MIU11265; SUB FOR LG691684; Crankcase                                     |
| 14  | MIU11265  | GASKET          | 1   | NLA; ORDER MIU13345  |
| 14  | MIU13345  | GASKET          | 1   | NLA; ORDER MIU14235  |
| 14  | MIU14235  | GASKET          | 1   |  |
| 15  | LG690680  | SEAL            | 2   | (A) GOVERNOR   |
| 16  | LG690701  | BUSHING         | 2   | (A) GOVERNOR   |
| 16  | M144914   | BUSHING         | 1   |  |
| 17  | LG692154  | SEAL            | 1   | (A)  |
| 18  | LG808504  | RESERVOIR       | 1   | (A) ENGINE SUMP  |
| 18  | MIA11613  | CRANKCASE       | 1   | (INCLUDES PARTS MARKED (A)) (ALSO INCLUDES (2) LG690681 AND 19M7077 AND (2) 19M7299) |
| 19  | MIU11524  | SCREW           | 1   | (SUB FOR LG692540)   |
| 20  | 19M7897   | SCREW           | 4   | M8 X 35  |
| 21  | LG691145  | CLAMP           | 1   | (SUB FOR LG95115)  |
| 22  | LG806379  | STRUCTURAL TUBE | 1   | BREATHER   |
| 23  | LG691550  | COTTER PIN      | 1   | (A)  |
| 24  | LG690702  | BUSHING         | 1   | GOVERNOR   |
| 25  | LG690899  | CRANK           | 1   | GOVERNOR   |
| 25  | AM131177  | CRANK           | 1   | (A) (USE WITH MIA11613) (INCLUDES M144914)   |
| 26  | 14M7298   | FLANGE NUT      | 4   | M8   |
| 27  | M132015   | THREADED NIPPLE | 1   |  |
| 28  | M126875   | CAP             | 1   | OIL DRAIN  |

**<https://www.ebooklibonline.com>**

Hello dear friend!

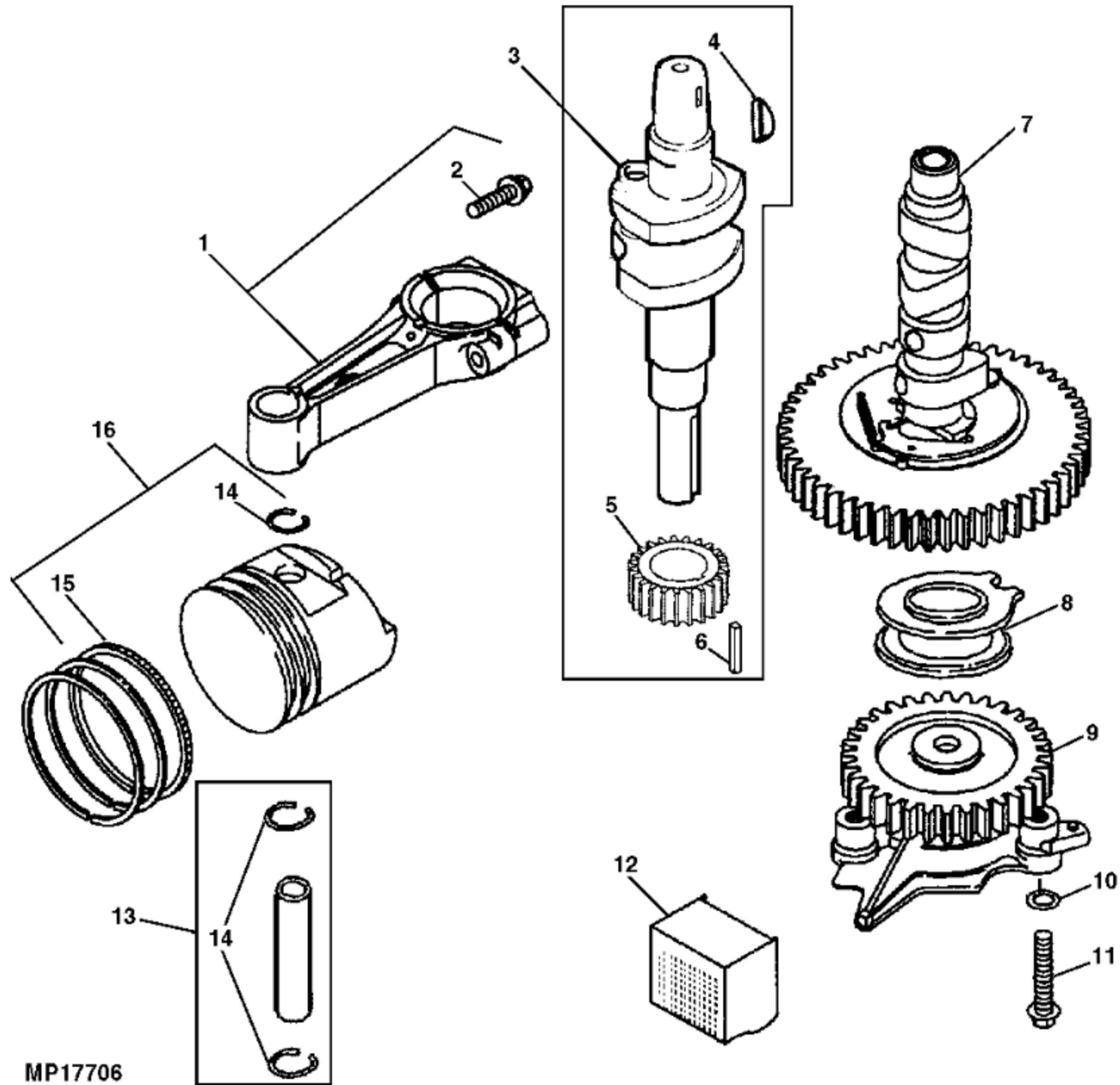
Thank you very much for reading.

Enter the link into your browser.

The full manual is available for immediate download.

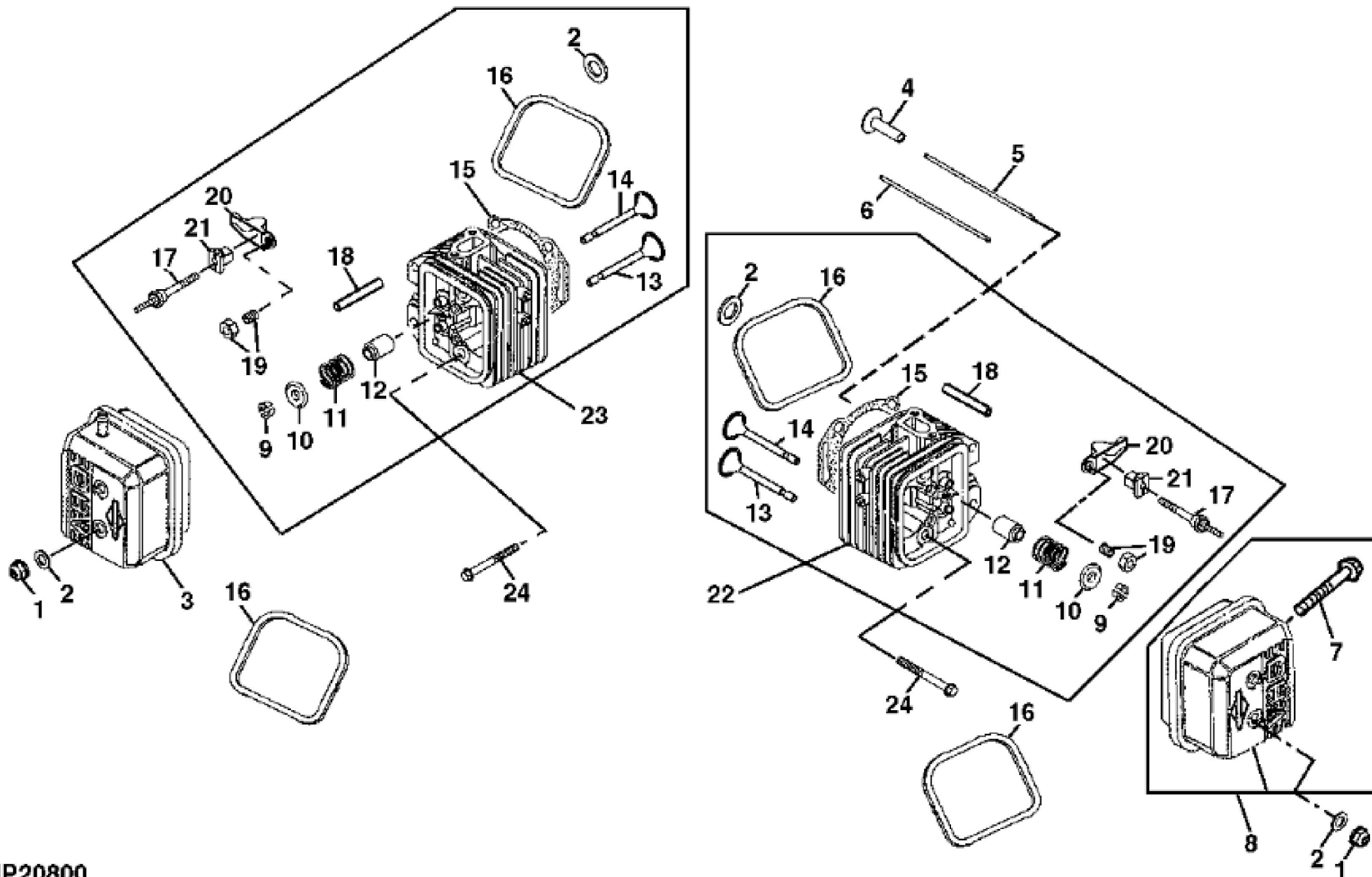
**<https://www.ebooklibonline.com>**

| KEY | PART NO. | PART NAME            | QTY | REMARKS            |  |
|-----|----------|----------------------|-----|--------------------|--|
| 29  | LG692053 | SEAL                 | 1   |                    |  |
| 30  | M147829  | SCREW                | 2   | (SUB FOR LG692537) |  |
| 31  | LG692093 | STRUCTURAL TUBE      | 1   | OIL FILL           |  |
| 32  | LG691870 | SEAL                 | 1   |                    |  |
| 33  | LG690233 | PRESSURE SWITCH      | 1   | OIL                |  |
| 34  | LG692101 | DIPSTICK             | 1   |                    |  |
| ..  | LG808539 | LABEL KIT            | 1   |                    |  |
| ..  | AM124448 | GASOLINE ENGINE      | 1   |                    |  |
| ..  | AM131355 | SHORT BLOCK ASSEMBLY | 1   |                    |  |



MP17706

| KEY | PART NO. | PART NAME       | QTY | REMARKS                    |  |
|-----|----------|-----------------|-----|----------------------------|--|
| 1   | LG808646 | CONNECTING ROD  | 2   | STD                        |  |
| 2   | LG690698 | SCREW           | 4   |                            |  |
| 3   | LG808675 | CRANKSHAFT      | 1   |                            |  |
| 4   | LG806066 | SHAFT KEY       | 1   |                            |  |
| 5   | LG691530 | GEAR            | 1   | TIMING, (SUB FOR LG805984) |  |
| 6   | LG691639 | KEY             | 1   |                            |  |
| 7   | LG808649 | GEAR            | 1   | CAM, (SUB MIA10912)        |  |
| 8   | LG690689 | SPOOL           | 1   | GOVERNOR                   |  |
| 9   | LG693186 | OIL PUMP        | 1   | (ORDER MIA11613)           |  |
| 10  | LG690681 | SEAL            | 2   |                            |  |
| 11  | LG691492 | CAP SCREW       | 2   |                            |  |
| 12  | LG690878 | SCREEN          | 1   | OIL PUMP                   |  |
| 13  | LG808526 | PISTON PIN      | 2   |                            |  |
| 14  | LG806378 | LOCK            | 4   | PISTON PIN                 |  |
| 15  | LG808528 | PISTON RING KIT | 2   | STD                        |  |
| 15  | LG808661 | PISTON RING KIT | 2   | .50MM (.020") OS           |  |
| 16  | LG808527 | PISTON          | 2   | STD                        |  |
| 16  | LG808652 | PISTON          | 2   | .50MM (.020") OS           |  |



MP20800



**Suggest:**

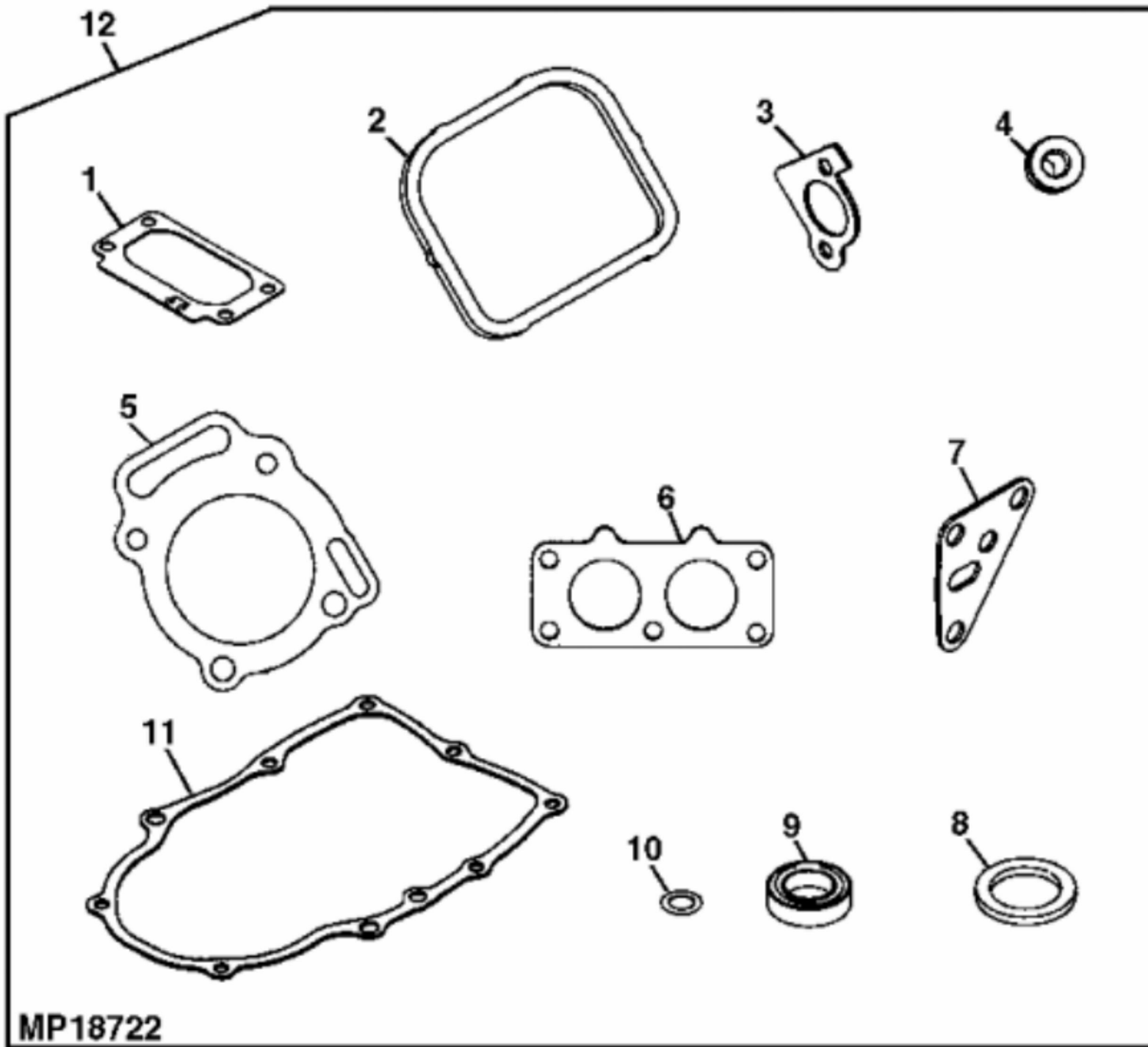
**For more complete manuals. Please go to the home page.**

**<https://www.ebooklibonline.com>**

**If the above button click is invalid. Please download this document first, and then click the above link to download the complete manual.**

**Thank you so much for reading**

| KEY | PART NO.  | PART NAME                   | QTY | REMARKS                           |  |
|-----|-----------|-----------------------------|-----|-----------------------------------|--|
| 1   | LG692055  | LOCK NUT                    | 4   |                                   |  |
| 2   | LG691766  | WASHER                      | 6   |                                   |  |
| 3   | LG691558  | VALVE COVER                 | 1   |                                   |  |
| 4   | LG690977  | TAPPET                      | 4   | VALVE                             |  |
| 5   | LG691836  | PUSH ROD                    | 2   | INTAKE (STEEL)                    |  |
| 6   | LG691758  | PUSH ROD                    | 2   | EXHAUST (ALUMINUM)                |  |
| 7   | LG806421  | CAP SCREW                   | 4   |                                   |  |
| 8   | LG808648  | VALVE COVER                 | 1   | (W/FUEL PUMP VACUUM HOSE FITTING) |  |
| 9   | LG807683  | RETAINER                    | 4   | VALVE                             |  |
| 10  | LG692058  | RETAINER                    | 4   | VALVE                             |  |
| 11  | LG692084  | SPRING                      | 4   | VALVE                             |  |
| 12  | LG691963  | SEAL                        | 4   | VALVE                             |  |
| 13  | LG806419  | EXHAUST VALVE               | 2   |                                   |  |
| 14  | LG806420  | INTAKE VALVE                | 2   |                                   |  |
| 15  | LG806377  | ENGINE CYLINDER HEAD GASKET | 2   |                                   |  |
| 16  | LG806039S | GASKET                      | 4   | ROCKER COVER                      |  |
| 17  | LG691544  | STUD                        | 4   | ROCKER ARM                        |  |
| 18  | LG692057  | GUIDE                       | 4   | VALVE                             |  |
| 19  | LG807623  | ADJUSTER                    | 4   | W/NUT                             |  |
| 20  | LG691543  | ROCKER ARM                  | 4   |                                   |  |
| 21  | MIU11035  | PIVOT                       | 4   | ROCKER ARM, (SUB FOR LG690973)    |  |
| 22  | LG808530  | CYLINDER HEAD               | 1   | LH                                |  |
| 23  | LG808529  | CYLINDER HEAD               | 1   | RH                                |  |
| 24  | LG692059  | CAP SCREW                   | 4   |                                   |  |



MP18722

**<https://www.ebooklibonline.com>**

Hello dear friend!

Thank you very much for reading.

Enter the link into your browser.

The full manual is available for immediate download.

**<https://www.ebooklibonline.com>**