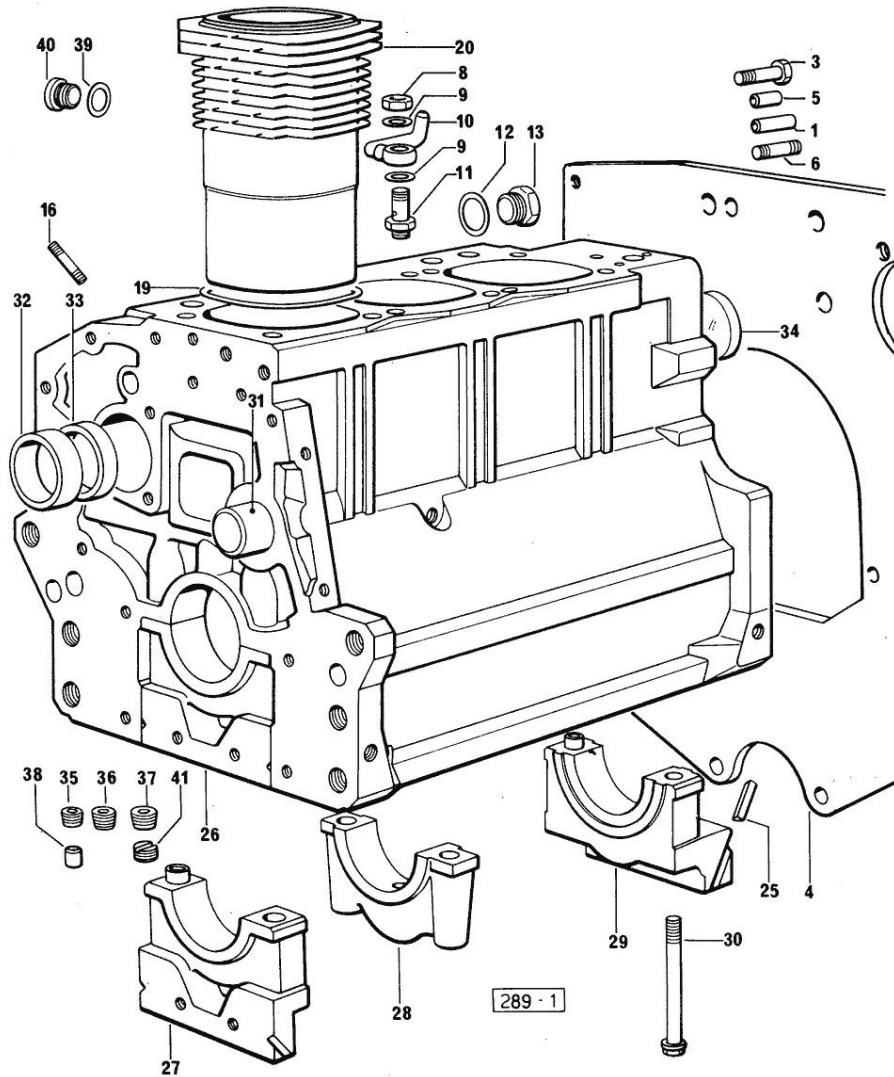


Section: ENGINE  
CRANKCASE

Fig.	P/n	QTY	Name
------	-----	-----	------

Notes:  
[EXPLORER 60 SPECIAL]



0	0.085.0050.6/10	1	gasket set
1	2.1651.917.0	1	cylindrical plug 12x40
3	2.0112.511.2	8	screw m 14 p.2 x 30
4	0.066.1130.0/20	1	flange
5	2.1651.912.0	2	cylindrical plug 12x28
6	2.0432.255.7	2	stud bolt m 12 p.1.75-1.25x25
8	2.1099.108.2	3	special nut m 10 p.1
9	2.1560.006.0	6	gasket 10.2 x 16
10	0.086.1550.2	3	sprayer nozzle
11	0.065.1160.3/20	3	valve
12	2.1532.072.0	1	oil seal 26.70x1.78
13	2.3199.405.2	1	plug m 28 p.1.5
16	2.0432.003.7	9	stud bolt m 8 p.1.25 / p.1 x 20
19	2.1519.096.0/20	3	special oil seal 107.67x1.78
20	0.085.1120.0/10	3	engine cylinder
25	0.066.1152.0/10	4	gasket
26	0.085.1110.4	1	crankcase
27	0.065.1112.7/10	1	support
27	2.1699.165.0	1	bush 12.3x15x16
28	0.065.1114.0/10	2	support
29	0.065.1116.3	1	support
29	2.1699.165.0	1	bush 12.3x15x16
30	0.065.1117.0	8	screw m 12 x 100
31	0.066.1151.0	1	pin
32	0.065.1141.0	1	special bushing 59X55X30
33	0.065.1140.0	3	special bushing 59X55X20
34	2.3179.012.0	1	plug 60
35	2.3130.001.1	10	plug 1/8" gas
36	2.3130.002.1	2	plug 1/4" gas
37	2.3130.003.1	7	plug 3/8" gas
38	2.3199.092.0	3	plug 8 x 12
39	2.1560.017.0	1	gasket 22.2 x 27
40	2.3120.002.4	1	plug m 22 x 1.5
41	2.1324.011.0	1	plug

Section: ENGINE

**TIMING CASE**

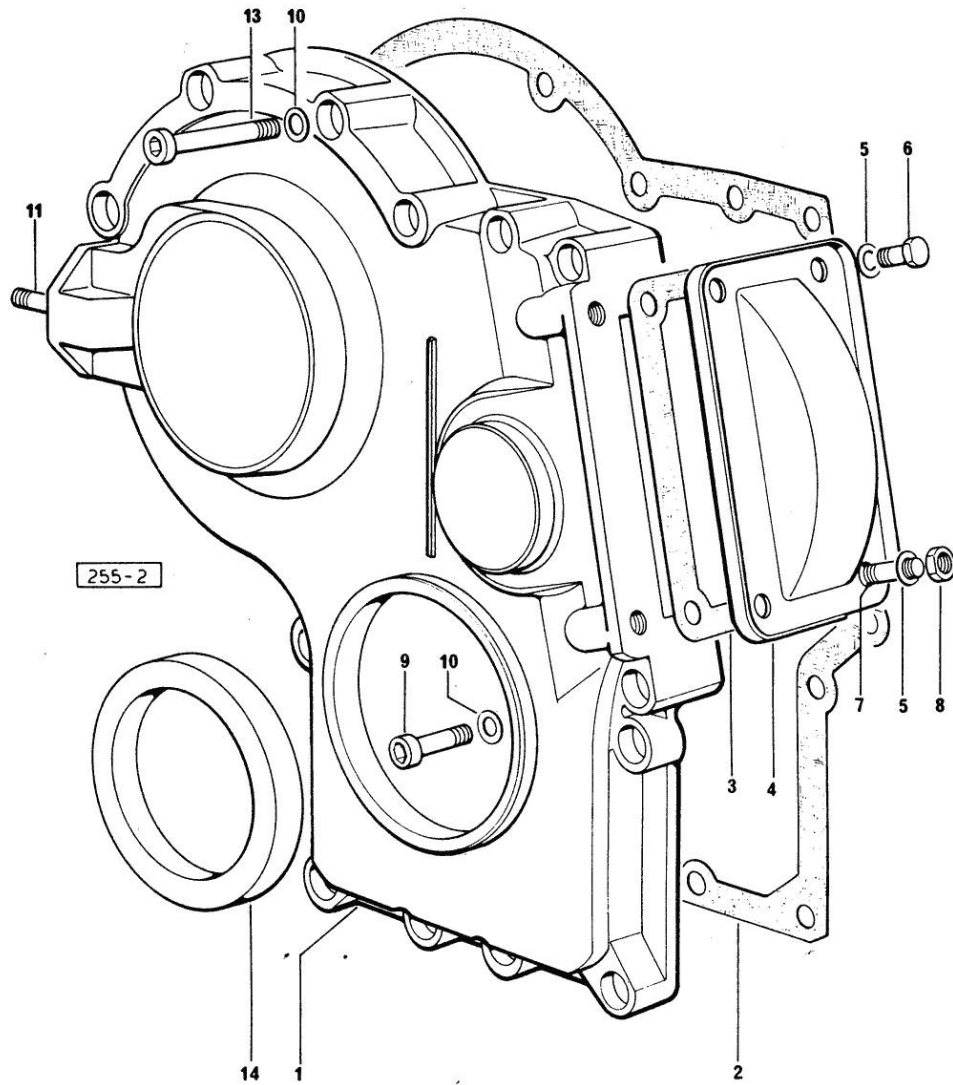


Fig.	P/n	QTY	Name
------	-----	-----	------

Notes:  
[EXPLORER 60 SPECIAL]

1	0.065.1132.0/20	1	guard
2	0.065.1150.0/30	1	gasket
3	0.065.1152.0	1	gasket
4	0.065.1151.0	1	cover
5	2.1470.004.2	4	lock washer 8
6	2.0112.205.2	2	screw m 8 p.1.25 x 16
7	2.0432.003.7	2	stud bolt m 8 p.1.25 / p.1 x 20
8	2.1011.405.2	2	nut m 8 p.1
9	2.0312.208.2	8	screw m 8 p.1.25 x 25
10	2.1480.014.1	15	washer 8
11	2.0432.003.7	2	stud bolt m 8 p.1.25 / p.1 x 20
13	2.0312.214.2	3	screw m 8 p.1.25 x 40
13	2.0312.219.2	4	screw m 8 p.1.25x65
14	2.1529.167.0	1	oil seal

Section: ENGINE

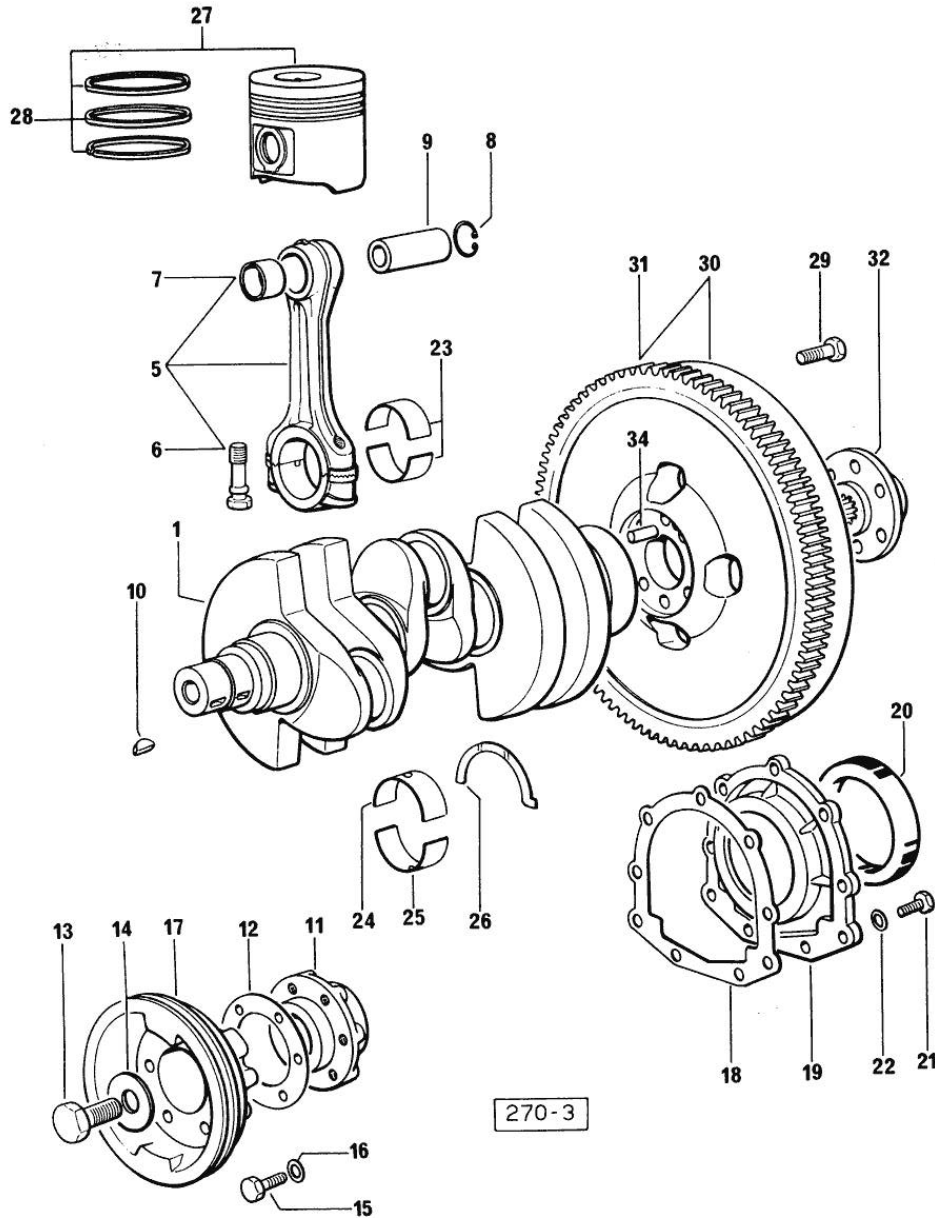
CRANKSHAFT

Fig.	P/n	QTY	Name
------	-----	-----	------

Notes:

[EXPLORER 60 SPECIAL]

1	0.085.1210.3	1	crankshaft
5	0.078.1220.3/30	3	engine connecting rod
6	2.0399.213.0	6	screw m 12 p.1.25x61.5
7	2.1559.114.0/10	3	special bushing
8	2.1411.014.1	8	circlip 35
9	0.078.1236.0	3	piston pin Ø 18 / Ø 35 / L = mm 86
10	2.1720.006.0	2	key 4x6.5
11	0.065.1248.0/40	1	hub
12	2.1589.137.0	1	shoulder ring 71x110x1
13	2.0399.095.2/10	1	screw
14	2.1599.503.2	1	shoulder ring
15	2.0112.317.2	6	screw m 10 p.1.5 x 45
16	2.1470.006.2	6	lock washer 10
17	0.065.1244.0/20	1	pulley
18	0.065.1254.0/20	1	gasket
19	0.065.1253.0/20	1	cover
20	2.1529.073.0	1	special oil seal 110x130x13
21	2.0112.207.2	9	screw m 8 p 1.25 x 20
22	2.1474.009.2	9	spring washer 8
23	0.065.1225.0	6	con.rod half bushing STANDARD - A = 28.75 -> 29.00
23	0.065.1225.7	6	con.rod half bushing - mm 0.25
23	0.065.1225.8	6	con.rod half bushing - mm 0.50
24	0.065.1215.0/10	4	main half bushing STANDARD
24	0.065.1215.7	4	main half bushing - mm 0.25
24	0.065.1215.8	4	main half bushing - mm 0.50
25	0.065.1216.0/10	4	main half bushing STANDARD
25	0.065.1216.7	4	main half bushing - mm 0.25
25	0.065.1216.8	4	main half bushing - mm 0.50
26	0.065.1218.0	4	shim STANDARD
26	0.065.1218.7	4	shim + mm 0.10
26	0.065.1218.8	4	shim + mm 0.15
27	0.086.0060.A	3	complete piston "A"
28	0.086.0052.6/10	3	piston ring set
29	2.0139.022.2	6	screw m 12 p.1.25x55
30	0.069.1247.3/20	1	flywheel
31	0.069.1242.0	1	crown wheel Z = 121
32	0.255.2525.0/10	1	flange
34	2.1651.915.0	1	pin 12x35



**<https://www.ebooklibonline.com>**

Hello dear friend!

Thank you very much for reading.

Enter the link into your browser.

The full manual is available for immediate download.

**<https://www.ebooklibonline.com>**

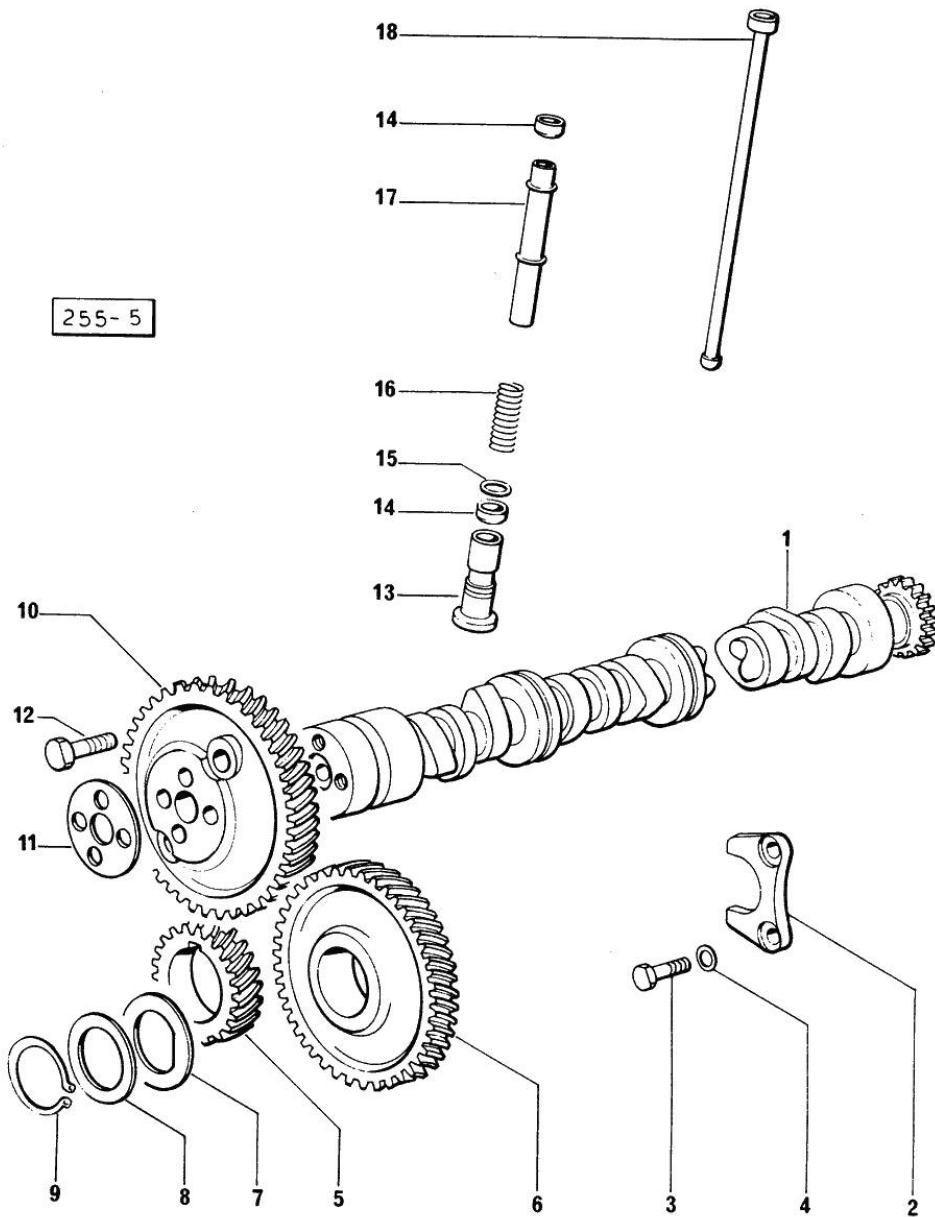
Section: ENGINE

CAMSHAFT

Fig.	P/n	QTY	Name
------	-----	-----	------

Notes:  
[EXPLORER 60 SPECIAL]

1	0.065.1324.0/10	1	gear Z = 32
1	0.070.1310.3/40	1	camshaft
2	0.065.1353.0	1	small plate
3	2.0312.206.2	2	screw m 8 p 1.25 x 20
4	2.1480.014.1	2	washer 8
5	065.1323.0/20	1	-
6	065.1325.3/20	1	-
6	2.1559.185.0/10	1	bushing
7	065.1351.0	2	-
8	0.065.1352.0	1	shim
9	2.1410.016.1	1	circlip 40
10	0.013.5017.0	1	gear z=58
11	0.065.1350.0	1	small disc
12	2.0132.207.2	4	screw m 10 p.1 x 25
13	0.065.1330.0	6	tappets
14	2.1569.114.0/10	12	gasket 14x18.5x8
15	2.1599.437.0	6	shoulder ring
16	2.4019.300.1/10	6	spring 18.5x52x2
17	0.065.1332.0	6	sleeve
18	0.065.1331.2	6	rod

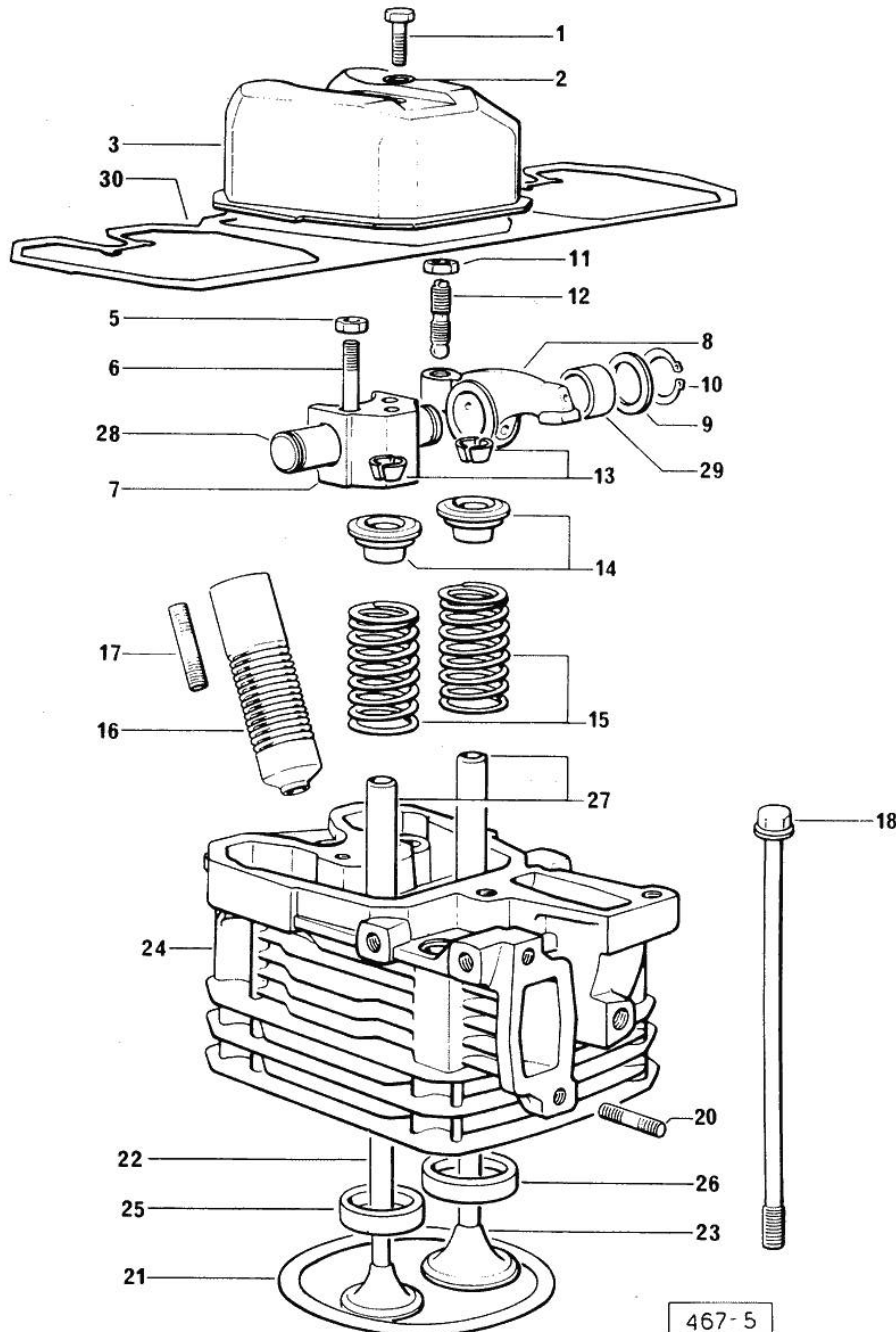


Section: ENGINE  
CYLINDER HEAD

Fig.	P/n	QTY	Name
------	-----	-----	------

Notes:  
[EXPLORER 60 SPECIAL]

0	0.085.0057.6/10	1	gasket set
1	2.0112.211.2	3	screw m 8 p.1.25 x 30
2	2.1569.170.0/10	3	gasket 8.2 x 14
3	0.066.1440.0/10	3	small cap
5	2.1011.421.2	6	nut m 10 p.1.25
6	2.0432.163.7	6	stud bolt m 10 p.1.5 / p.1.25 x 45
7	0.066.1430.0/10	3	support
8	0.066.1432.3	6	rocker arm
9	2.1599.432.0	6	shoulder ring
10	2.1410.055.7	6	circlip 19
11	2.1011.405.2	6	nut m 8 p.1
12	0.021.1434.0	6	screw
13	0.074.1423.0	6	conical valve cotter
14	0.066.1425.0	6	cup
15	2.4019.287.0	6	spring
16	0.065.1413.0/10	3	bush L = mm 97.1
17	2.0432.161.7	3	stud bolt m 10 p.1.5 / p.1.25 x 40
18	0.065.1443.0/20	12	screw
20	2.0432.007.2	6	stud bolt m 8 p.1.25 / p.1 x 30
21	0.085.1450.0/10	3	head gasket mm 0.50
21	0.085.1451.0/10	3	head gasket mm 0.7
21	0.085.1452.0/10	3	head gasket mm 1.0
21	0.085.1453.0/10	3	head gasket mm 0.8
22	0.066.1421.0	3	exhaust valve
23	0.010.6016.0	3	inlet valve mm 43.63 / Ø mm 9
24	0.081.1410.3/10	3	engine head
25	0.066.1427.0	3	valve seat
26	0.078.1426.0	3	valve seat
27	0.007.1779.0/20	6	valve guide
28	0.066.1431.0	3	pin
29	2.1559.021.0/40	6	bushing 15x19x22
30	0.009.3877.0/10	1	tappet gasket



Section: ENGINE  
LUBRICATION

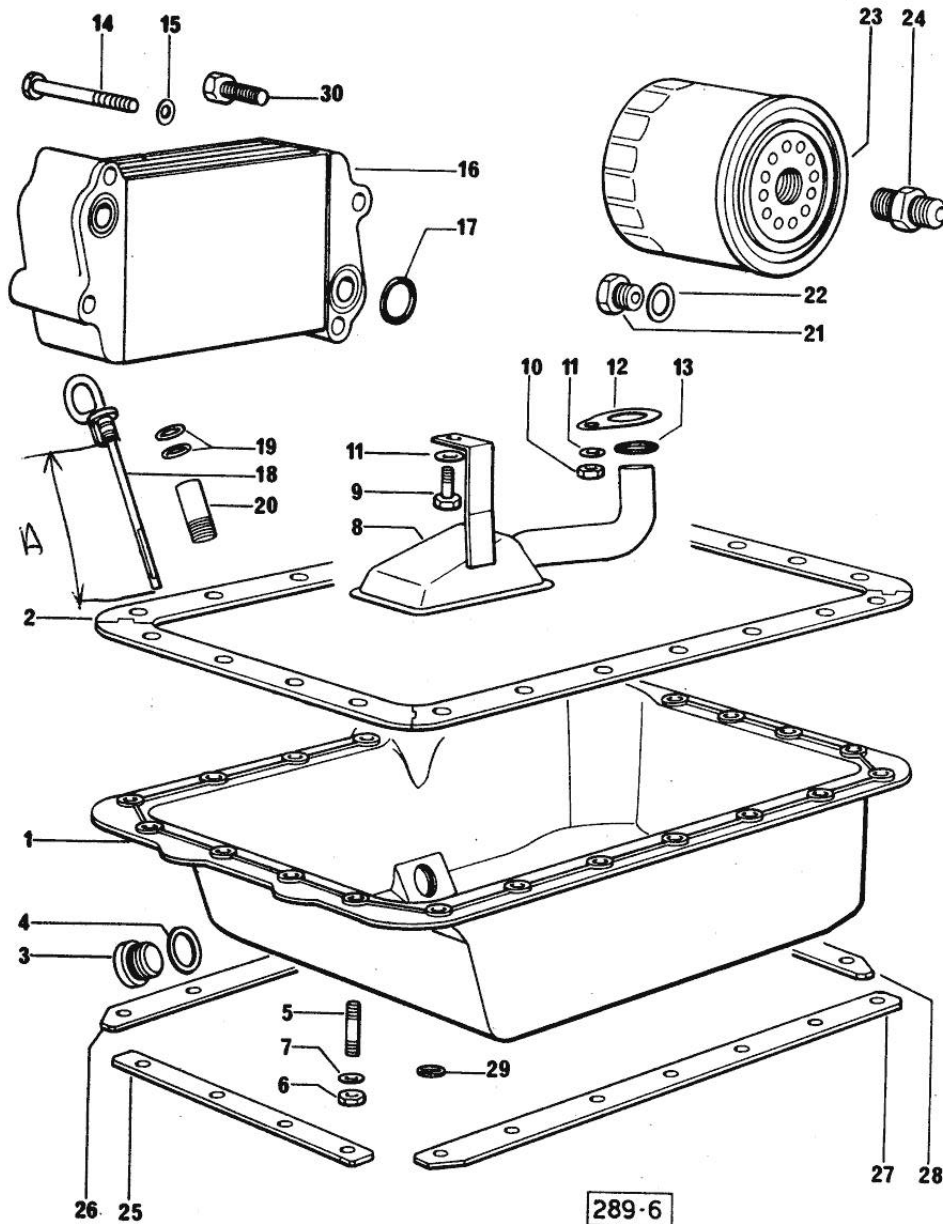


Fig.	P/n	QTY	Name
------	-----	-----	------

Notes:  
[EXPLORER 60 SPECIAL]

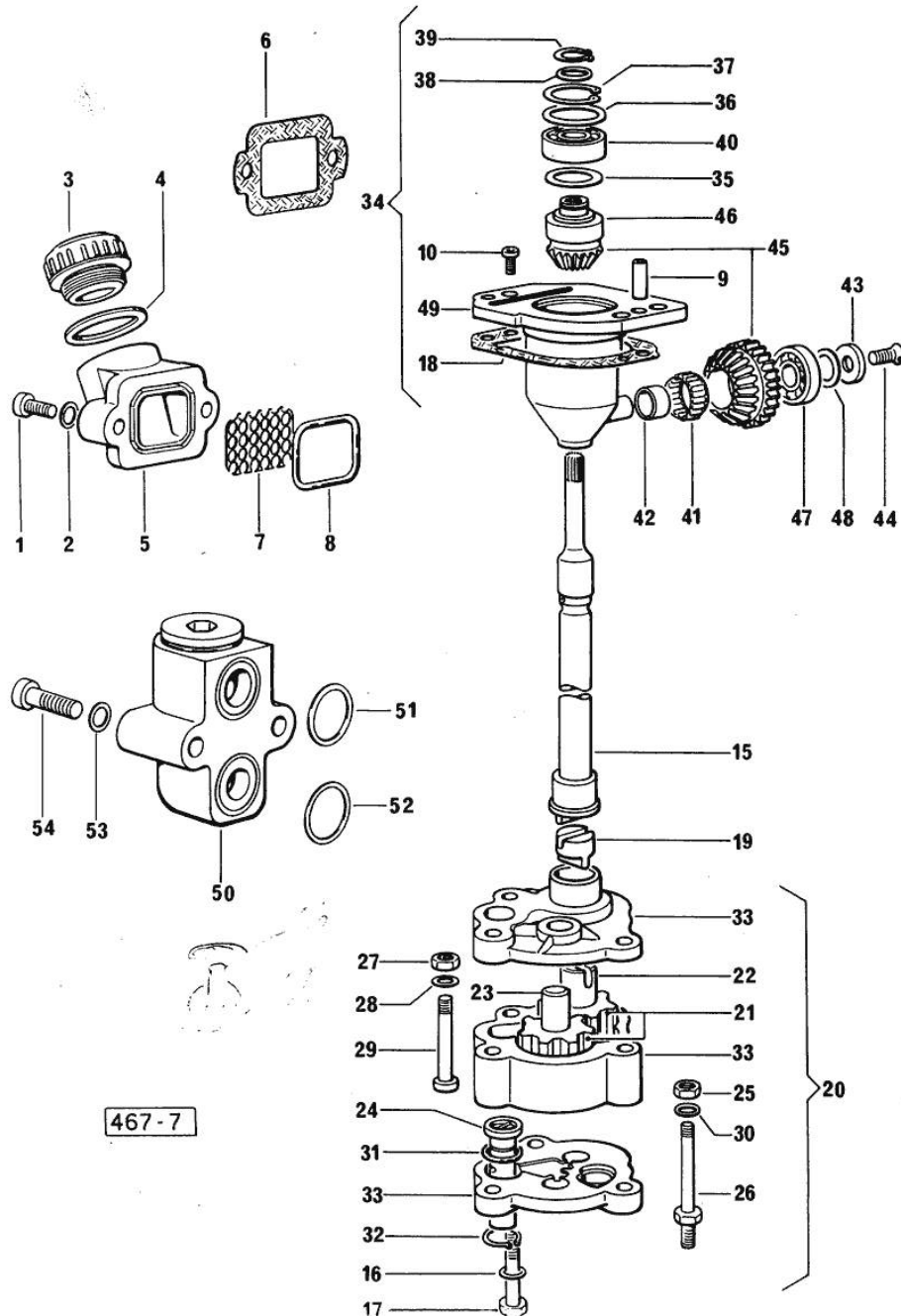
1	0.070.1510.2/60	1	oil sump
2	0.070.1551.0	1	gasket
3	2.3199.001.2	1	plug 1/2" gas
4	2.1560.054.0	1	gasket 21 x 26
5	2.0432.003.7	22	stud bolt m 8 p.1.25 / p.1 x 20
6	2.1121.105.2	22	nut m 8 x 1
7	2.1470.004.2	22	lock washer 8
8	0.070.1531.3/10	1	tube
9	2.0112.205.2	1	screw m 8 p.1.25 x 16
10	2.1011.105.2	1	nut m 8 p.1.25
11	2.1470.004.2	2	lock washer 8
12	0.065.1538.0	1	flange
13	2.1539.040.0	1	special oil seal 21.82 x 3.53
14	2.0312.216.2	2	screw m 8 p.1.25x50
15	2.1310.004.2	4	flat washer 8.4x17
16	0.007.7319.3	1	oil cooler
17	2.1539.048.0	2	special oil seal 20.35x1.78
18	0.066.1513.2/10	1	dipstick mm 106
18	0.085.1513.2/20	1	dipstick
19	2.1539.065.0	2	special oil seal 8.73 x 1.78
20	0.066.1551.0	1	spacer
21	2.3339.359.2/10	1	pipe fitting
22	2.1560.008.0	2	gasket 12.2 x 18
23	0.044.1567.0	1	oil filter element
24	2.3339.307.0	1	pipe fitting m 22 p.1.5-3/4"
25	0.070.1554.0	1	small plate
26	0.070.1552.0	1	small plate
27	0.070.1553.0	1	small plate
28	0.070.1555.0	1	small plate
29	2.1599.459.0	3	small plate
30	2.0399.125.2/10	2	screw m 8 x 55

Section: ENGINE  
LUBRICATION

Fig.	P/n	QTY	Name
------	-----	-----	------

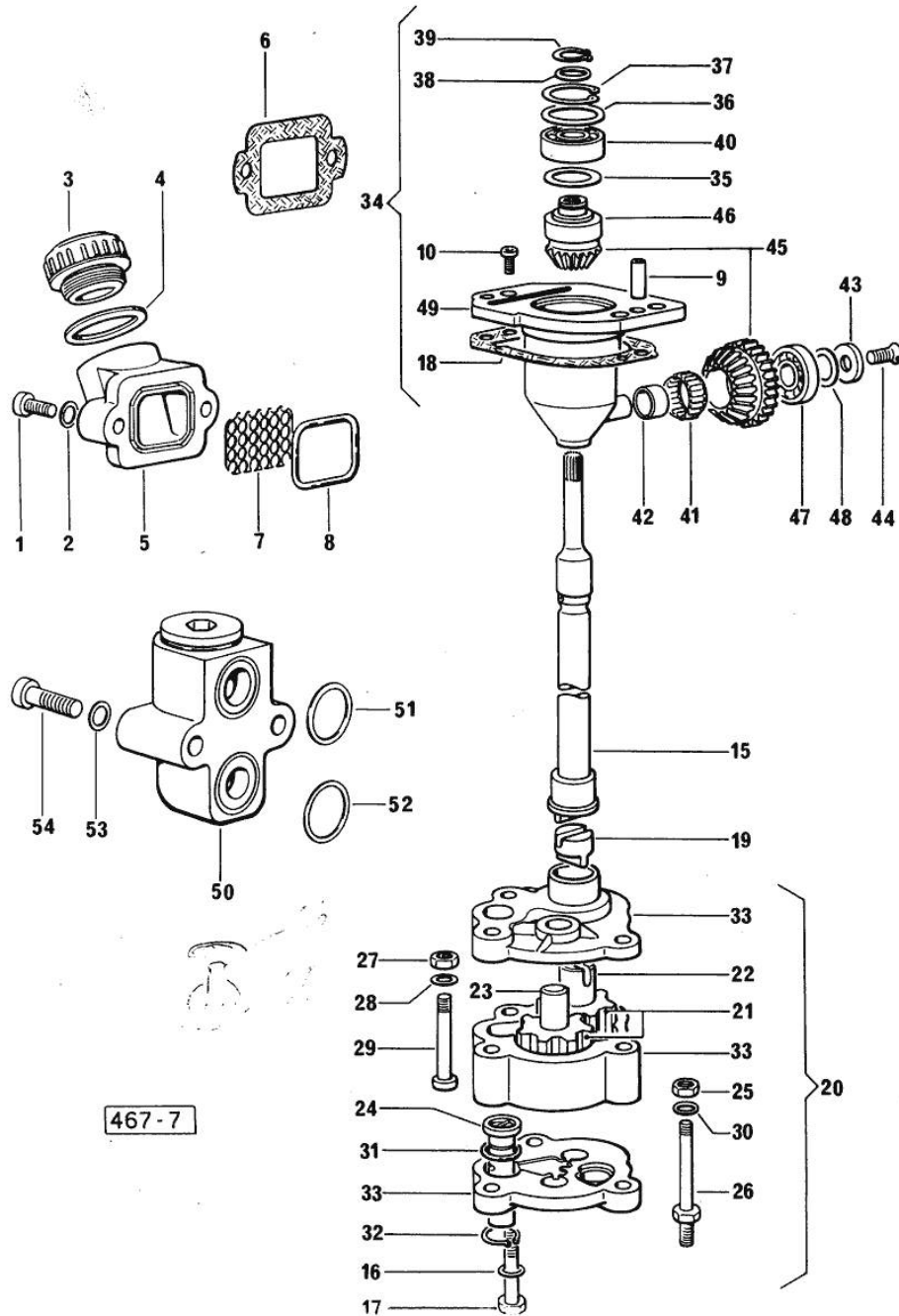
Notes:  
[EXPLORER 60 SPECIAL]

1	2.0312.206.2	2	screw m 8 p 1.25 x 20
2	2.1480.014.1	2	washer 8
3	0.041.1135.4	1	plug 1" gas
4	2.1569.072.0	1	gasket 32 x 39.5 x 2
5	0.065.1565.0/10	1	pipe union
6	0.065.1566.0	1	gasket
7	0.065.1567.0/10	1	filter
8	2.1539.042.0	1	special oil seal 47.35x1.78
9	2.1651.711.0	2	pin 8 x 14
10	2.0169.005.2	2	screw m 6 p.1 x 12
15	0.065.1569.0/40	1	shaft
16	2.1470.006.2	2	lock washer 10
17	2.0112.323.2	2	screw m 10 p.1.5x70
18	0.065.1560.0/30	2	gasket
19	0.065.1562.0/10	1	joint
20	0.010.5481.4	1	oil pump
21	0.010.5481.4	2	oil pump
22	0.010.5481.4	1	oil pump
23	0.010.5481.4	1	oil pump
24	0.065.1552.3/60	1	valve
25	2.1011.105.2	1	nut m 8 p.1.25
26	2.0399.119.2	1	screw
27	2.1011.103.2	1	nut m 6 p.1
28	2.1480.012.1	1	washer 6, d128
29	2.0312.115.2	1	screw m 6 p.1x45
30	2.1480.014.1	1	washer 8
31	2.1539.041.0	1	special oil seal
32	2.1410.004.2	1	circlip 16
33	0.000.0000.1	1	cannot be supplied
34	0.075.1551.4/30	1	support
35	2.1589.148.0	1	shoulder ring 28.2 x 31.8 x 0.5
36	2.1589.148.0	1	shoulder ring 28.2 x 31.8 x 0.5
36	2.1589.150.0	1	shoulder ring 28.2 x 31.8 x 0.1
36	2.1589.151.0	1	shoulder ring 28.2 x 31.8 x 0.15
37	2.1411.013.7	1	circlip Ø 32
38	2.1589.146.0	1	shoulder ring 15.2 x 19 x 0.15
38	2.1589.147.0	1	shoulder ring 15.2 x 19 x 0.10
38	2.1589.153.0	1	shoulder ring 15.2 x 19 x 1.00
39	2.1410.057.1	1	circlip 15
40	2.2020.001.0	1	ball bearing 15 x 32 x 8.00
41	2.2725.016.0	1	roller cage 15 x 21 x 12



Section: ENGINE  
LUBRICATION

Fig.	P/n	QTY	Name
42	2.2680.020.0	1	ring 12 x 15 x 12
43	2.1599.483.0	1	shoulder ring
44	2.0342.202.3	1	screw m 6 x 12
45	0.065.1558.6/10	1	bevel drive
46	0.065.1559.0	1	bush
47	2.2030.002.0	1	ball bearing 12 x 28 x 8
48	2.1589.143.0	1	shoulder ring mm 0.5
48	2.1589.144.0	1	shoulder ring mm 0.15
48	2.1589.145.0	1	shoulder ring mm 0.10
49	0.075.1551.3	1	old part number
50	0.065.1581.4/20	1	valve
51	2.1539.048.0	1	special oil seal 20.35x1.78
52	2.1539.072.0	1	special oil seal 23.52 x 1.78
53	2.1480.014.1	2	washer 8
54	2.0312.215.2	2	screw
55	2.3110.403.2	1	plug m 14
56	2.1560.010.0	1	gasket 14.2 x 20

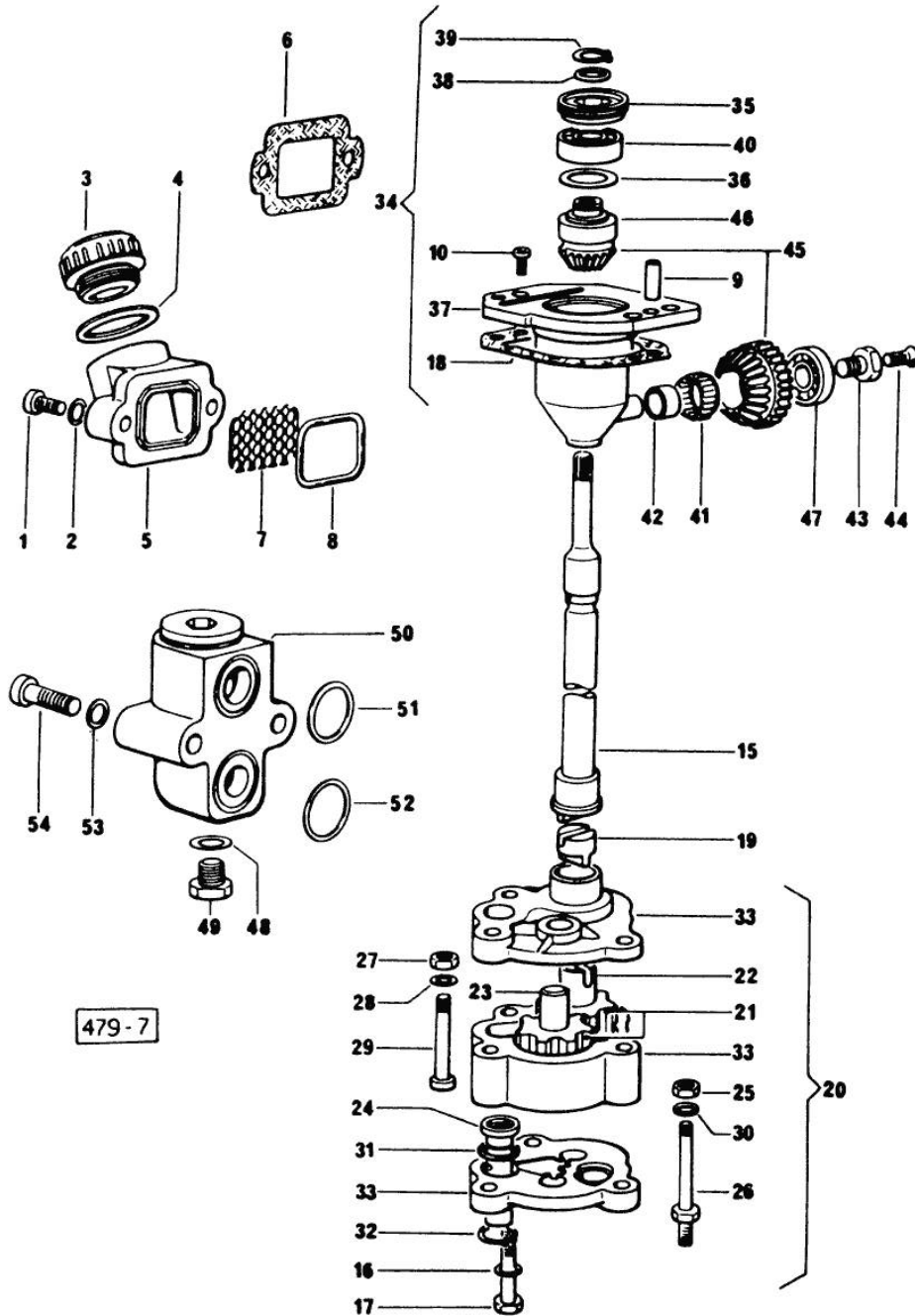


Section: ENGINE  
LUBRICATION

Fig.	P/n	QTY	Name
------	-----	-----	------

Notes:  
[EXPLORER 60 SPECIAL]

1	2.0312.206.2	2	screw m 8 p 1.25 x 20
2	2.1480.014.1	2	washer 8
3	0.041.1135.4	1	plug 1" gas
4	2.1569.072.0	1	gasket 32 x 39.5 x 2
5	0.065.1565.0/10	1	pipe union
6	0.065.1566.0	1	gasket
7	0.065.1567.0/10	1	filter
8	2.1539.042.0	1	special oil seal 47.35x1.78
9	2.1651.711.0	2	pin 8 x 14
10	2.0169.005.2	2	screw m 6 p.1 x 12
15	0.065.1569.0/40	1	shaft
16	2.1470.006.2	2	lock washer 10
17	2.0112.323.2	2	screw m 10 p.1.5x70
18	0.065.1560.0/30	2	gasket
19	0.065.1562.0/10	1	joint
20	0.010.5481.4	1	oil pump
21	0.010.5481.4	2	oil pump
22	0.010.5481.4	1	oil pump
23	0.010.5481.4	1	oil pump
24	0.065.1552.3/60	1	valve
25	2.1011.105.2	1	nut m 8 p.1.25
26	2.0399.119.2	1	screw
28	2.1480.012.1	1	washer 6, d128
29	2.0312.115.2	1	screw m 6 p.1x45
30	2.1480.014.1	1	washer 8
31	2.1539.041.0	1	special oil seal
32	2.1410.004.2	1	circlip 16
33	0.000.0000.1	1	cannot be supplied
34	0.075.1551.4/30	1	support
35	2.1219.025.2	1	ring nut m 36 p.1
35	2.1219.025.2/10	1	(...) <- ring nut m 36 p.1.5
35			(...) <-
36	2.1589.148.0	1	shoulder ring 28.2 x 31.8 x 0.5
36	2.1589.150.0	1	shoulder ring 28.2 x 31.8 x 0.1
36	2.1589.151.0	1	shoulder ring 28.2 x 31.8 x 0.15
37	0.075.1551.3/20	1	support
38	2.1589.146.0	1	shoulder ring 15.2 x 19 x 0.15
38	2.1589.147.0	1	shoulder ring 15.2 x 19 x 0.10
38	2.1589.153.0	1	shoulder ring 15.2 x 19 x 1.00
39	2.1410.057.1	1	circlip 15





**Suggest:**

**For more complete manuals. Please go to the home page.**

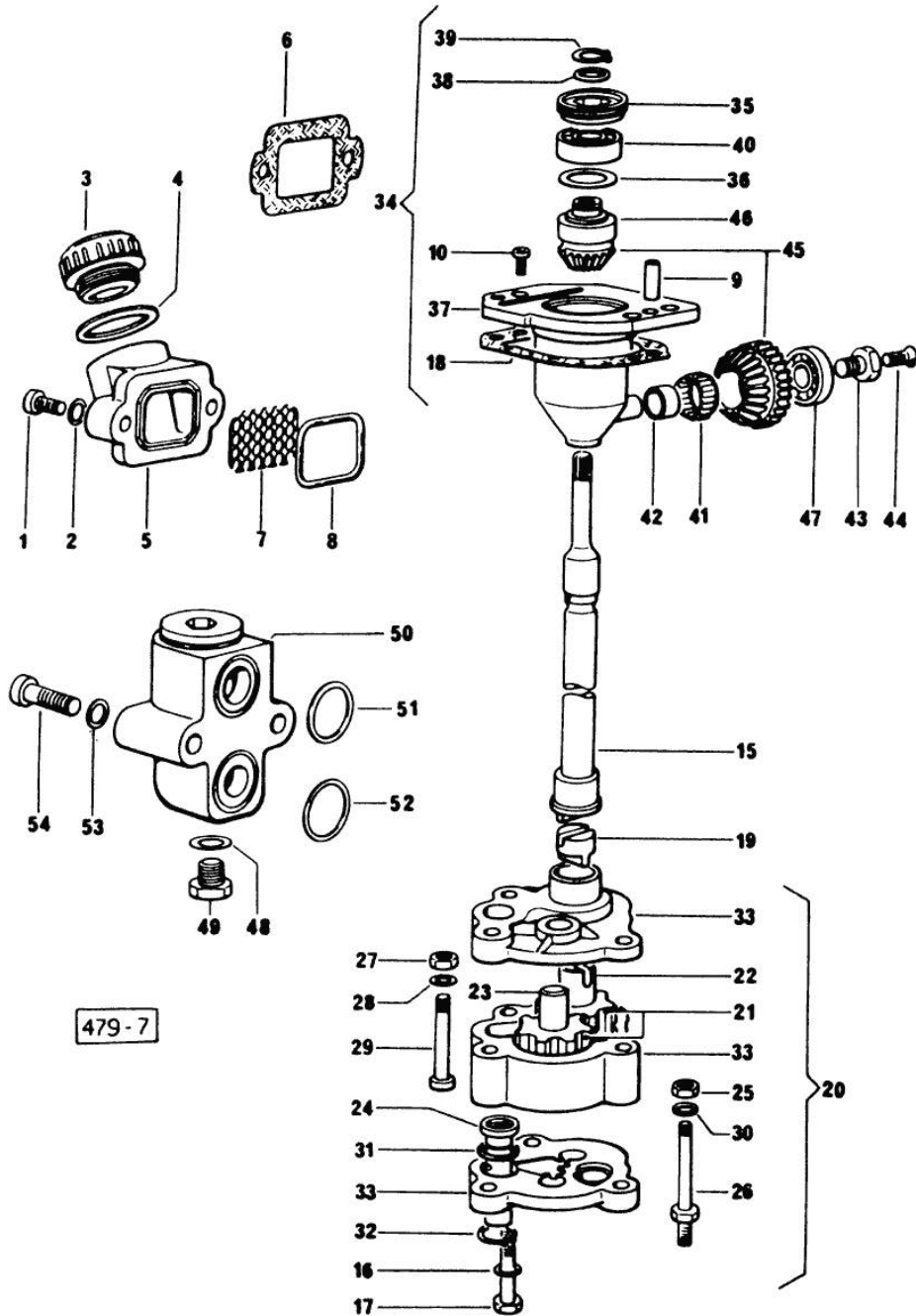
**<https://www.ebooklibonline.com>**

**If the above button click is invalid. Please download this document first, and then click the above link to download the complete manual.**

**Thank you so much for reading**

Section: ENGINE  
LUBRICATION

Fig.	P/n	QTY	Name
40	2.2020.001.0	1	ball bearing 15 x 32 x 8.00
41	2.2725.016.0	1	roller cage 15 x 21 x 12
42	2.2680.020.0	1	ring 12 x 15 x 12
43	2.0399.128.2	1	screw
			(..) <-
43	2.0399.128.2/10	1	screw m 8 p.1 x 8
			(...) <-
44	2.0342.007.6	1	screw m 4 p.0.7 x 30
45	0.065.1558.6/10	1	bevel drive
46	0.065.1559.0	1	bush
47	2.2030.002.0	1	ball bearing 12 x 28 x 8
48	2.1560.010.0	1	gasket 14.2 x 20
49	2.3110.403.2	1	plug m 14
50	0.065.1581.4/20	1	valve
51	2.1539.048.0	1	special oil seal 20.35x1.78
52	2.1539.072.0	1	special oil seal 23.52 x 1.78
53	2.1480.014.1	2	washer 8
54	2.0312.215.2	2	screw

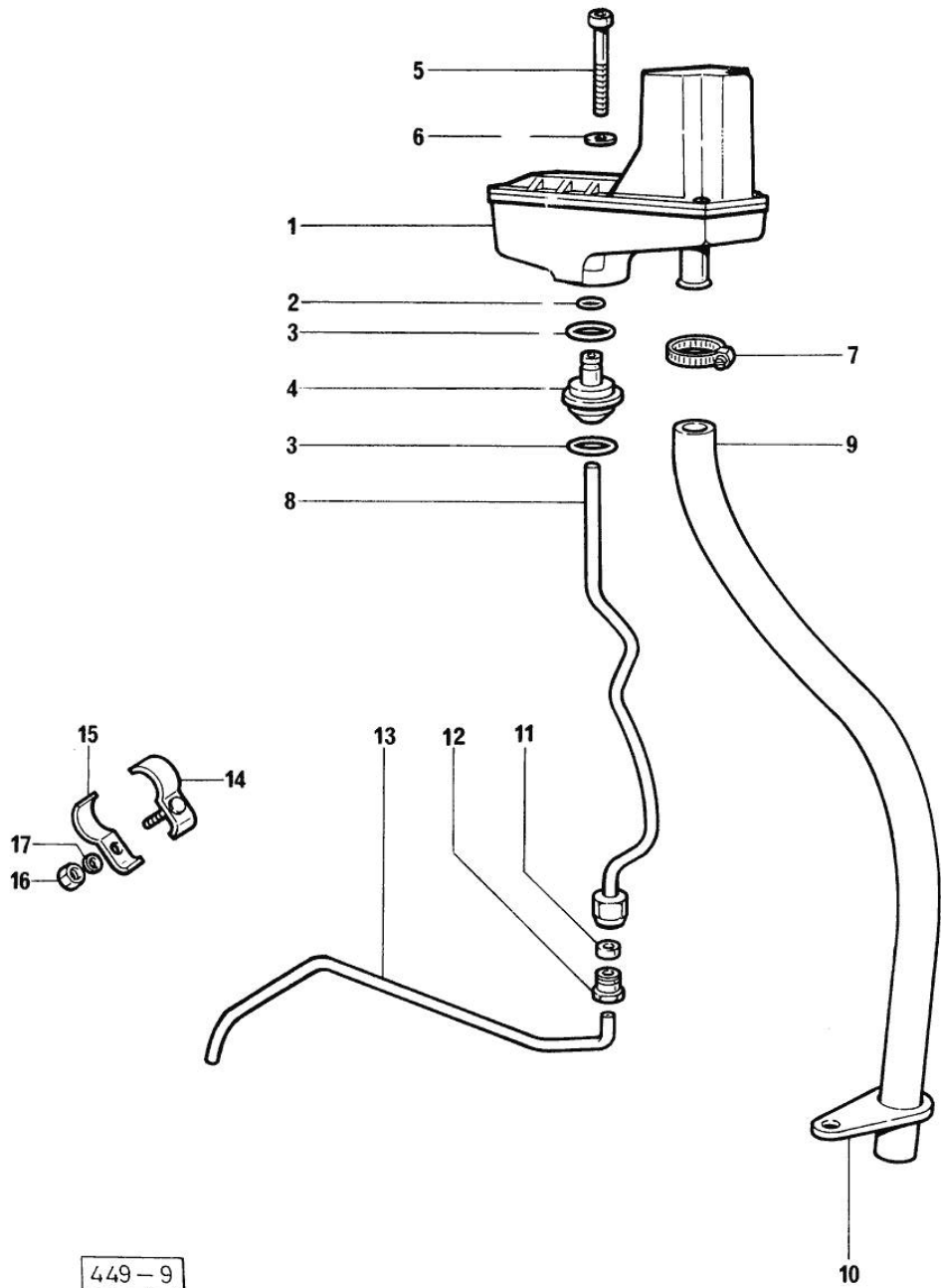


Section: ENGINE  
LUBRICATION

Fig.	P/n	QTY	Name
------	-----	-----	------

Notes:  
[EXPLORER 60 SPECIAL]

1	0.000.0000.1	1	cannot be supplied ☞ 01.00.9
2	2.1532.014.0	1	oil seal 7.65 x 1.78
3	2.1539.072.0	2	special oil seal 23.52 x 1.78
4	0.066.1558.0	1	bush
5	2.0312.221.2	2	screw m 8 p.1.25x75
6	2.1480.014.1	2	washer 8
7	2.6859.073.2	1	clamp
8	0.066.1557.2	1	tube
9	0.066.1559.0	1	tube
10	0.075.1151.0	1	bracket
11	2.3350.003.1	1	nosepiece 8
12	2.3339.418.1	1	pipe fitting m 12 p.1
13	0.069.1550.0	1	tube
14	0.075.1552.2	2	bracket
15	0.075.1552.0	2	bracket
16	2.1011.103.2	2	nut m 6 p.1
17	2.1470.002.2	2	lock washer 6



449-9

**<https://www.ebooklibonline.com>**

Hello dear friend!

Thank you very much for reading.

Enter the link into your browser.

The full manual is available for immediate download.

**<https://www.ebooklibonline.com>**