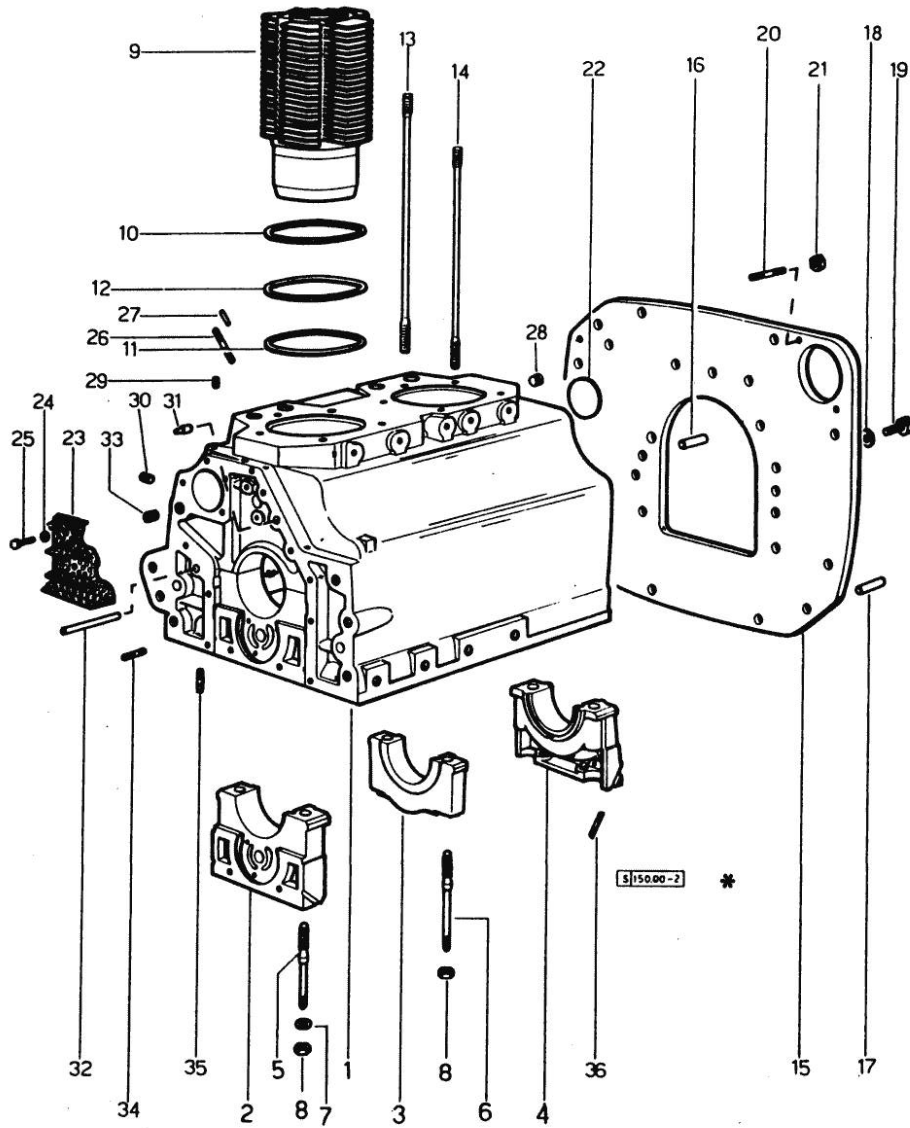


Section: ENGINE

CRANKCASE

Fig.	P/n	QTY	Name
------	-----	-----	------

Notes:  
[DELFINO 35 FRUTTETO -> 23107]



0	0.034.0050.6/10	1	gasket set - FOR ENGINE MOUNTING
1	0.034.1110.4/40	1	crankcase
2	0.004.8776.0	1	support
3	0.029.1113.0	1	support
4	0.029.1116.0	1	support
5	0.021.1157.0	4	stud bolt
6	0.029.1117.0	2	stud bolt
7	2.1599.144.7	6	shoulder ring 12.5x23x4
8	2.1019.026.7	6	special nut m 12 p.1.5
9	0.036.1120.0/10	2	engine cylinder
10	2.1589.036.0	2	shim
11	2.1569.055.0	2	shim
12	2.1589.037.0	2	shim
13	0.039.1122.0	8	stud bolt m 12 p.1.5x310
14	0.041.1123.0/10	2	stud bolt
15	0.027.1130.0/20	1	flange
16	2.1653.708.0	2	pin 8x18
17	2.1652.911.0	2	cylindrical plug 12x25
18	2.1470.008.2	11	lock washer 14
19	2.0112.511.1	11	screw m 14 p.2 x 30
20	2.0432.257.7	2	stud bolt m 12 p.1.75 - 1.25 x 30
20	2.0439.033.1	2	stud bolt m 10x28
21	2.1011.106.2	2	nut m 10 p.1.5
22	2.3170.022.1	1	expansion plug 60
23	0.029.1155.2/20	1	plate
24	2.1470.002.2	2	lock washer 6
25	2.0112.004.2	2	screw m 6 p.1 x 14
26	2.0432.159.7	2	stud bolt m 10 p.1.5 / p.1.25 x 35
27	2.1653.708.0	2	pin 8x18
28	2.3130.002.1	2	plug 1/4" gas
29	2.3139.001.1	2	plug
30	2.3139.001.1	2	plug
31	2.1699.021.0	1	pin 7.8x8x20
32	2.1699.116.0	1	pin
33	2.3130.002.1	2	plug 1/4" gas
34	2.0432.018.7	5	stud bolt m 8 p.1.25 / p.1 x 65
35	2.0432.003.7	18	stud bolt m 8 p.1.25 / p.1 x 20
36	0.029.1154.0/10	4	gasket

Section: ENGINE  
TIMING CASE

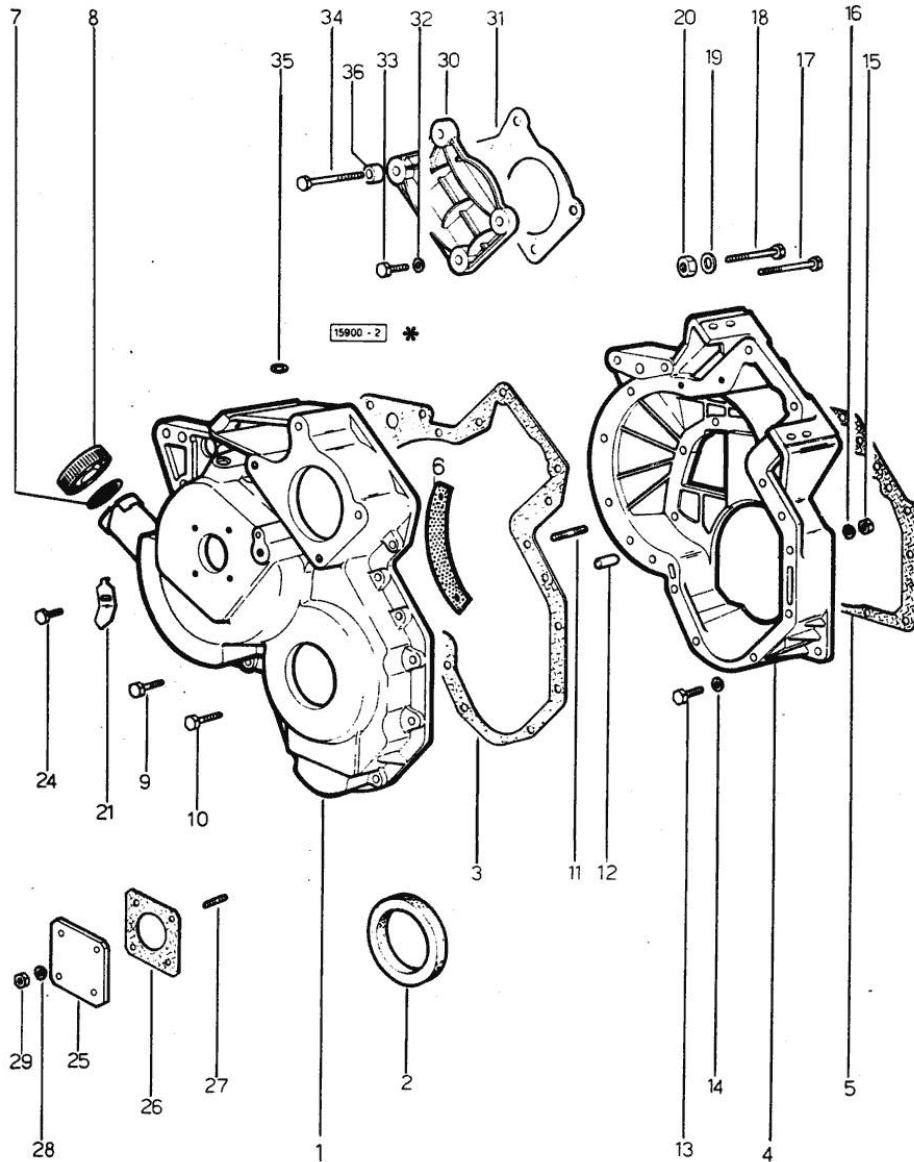


Fig.	P/n	QTY	Name
------	-----	-----	------

Notes:  
[DELFINO 35 FRUTTETO -> 23107]

1	0.027.1155.0/40	1	guard
2	2.1519.010.0	1	special oil seal 58x80x10
3	0.027.1156.0	1	gasket
4	0.027.1154.0/30	1	flange
5	0.029.1153.0/10	1	gasket
6	0.027.1152.0/20	1	small plate
7	2.1569.048.0	1	gasket
8	0.022.1135.3	1	plug
9	2.0122.224.2	1	screw
10	2.0122.213.2	4	screw m 8 p.1x35
11	2.0439.060.2	3	stud bolt m 8 p.1.25-1x22
12	2.1653.711.0	1	pin
13	2.0112.207.2	8	screw m 8 p 1.25 x 20
14	2.1474.009.1	8	spring washer 8
15	2.1121.105.2	15	nut m 8 x 1
16	2.1474.009.1	15	spring washer 8
17	2.0122.225.2	1	screw m 8 p.1x80
18	2.0122.224.1	1	screw
19	2.1474.009.1	2	spring washer 8
20	2.1121.105.2	2	nut m 8 x 1
21	0.027.1150.0/10	1	index
24	2.0112.103.1	1	screw m 7 p.1.x12
24	2.0112.204.2	1	screw m 8 p.1.25x14
25	0.027.1153.0	1	flange
26	0.026.1150.0	1	gasket
27	2.0439.055.1	4	stud bolt m 6 p.1 x 18
28	2.1474.007.1	4	spring washer 6
29	2.1011.103.2	4	nut m 6 p.1
30	0.029.1163.0	1	small cover
31	0.054.1155.0	1	gasket
32	2.1474.009.1	2	spring washer 8
33	2.0112.211.2	2	screw m 8 p.1.25 x 30
34	2.0122.233.2	2	screw
35	2.1530.028.0	1	oil seal 11.91 x 2.62
36	2.1579.191.2	2	spacer 8.5 x 18 x 20

**CRANKSHAFT**

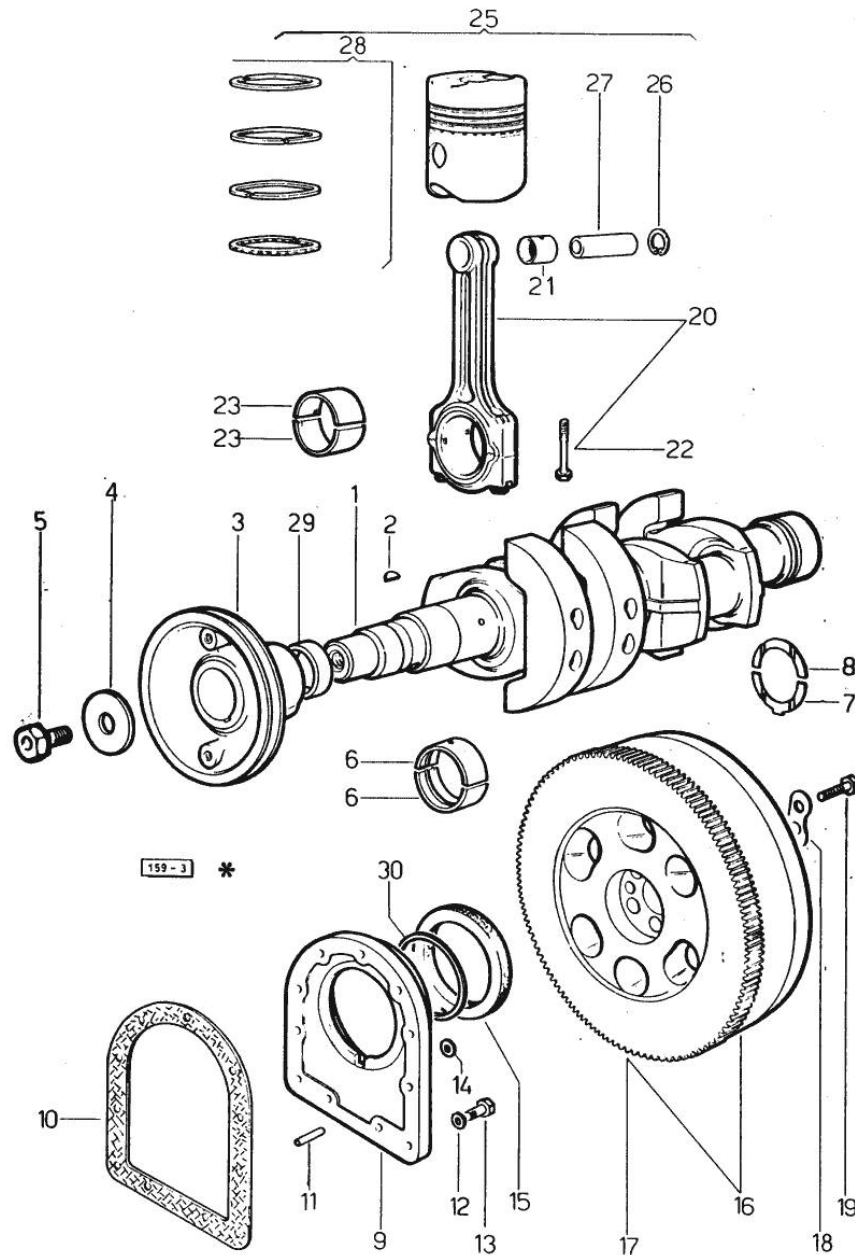


Fig.	P/n	QTY	Name
<b>Notes:</b>			
[DELFINO 35 FRUTTETO -> 23107]			
1	0.034.1210.4/10	1	crankshaft
2	2.1799.002.0	1	stick 10x13
2	2.1799.026.0	1	key 10x10
3	0.027.1244.0/30	1	pulley
4	0.001.6020.0	1	shoulder
5	2.0129.032.2	1	screw m 24 p.2x45
6	0.073.1215.0	6	main half bushing STANDARD
6	0.073.1215.7	6	main half bushing - mm 0.25
6	0.073.1215.8	6	main half bushing - mm 0.50
6	0.073.1215.9	6	main half bushing - mm 0.75
7	0.001.4547.0	2	shoulder ring + mm 0.05
7	0.001.4548.0	2	shoulder ring + mm 0.10
7	0.001.4549.0	2	shoulder ring + mm 0.15
7	0.042.1219.0	2	shoulder ring STANDARD
8	0.001.4544.0	2	shoulder ring + mm 0.05
8	0.001.4545.0	2	shoulder ring + mm 0.10
8	0.001.4546.0	2	shoulder ring + mm 0.15
8	0.042.1218.0	2	shoulder ring STANDARD
9	0.029.1240.0	1	flange
10	0.029.1250.0/10	1	gasket
11	2.1652.915.0	2	cylindrical plug 12x35
12	2.1474.010.1	6	spring washer 10
13	2.0112.309.2	9	screw m 10 p.1.5 x 25
14	2.1560.006.0	3	gasket 10.2 x 16
15	2.1519.009.0	1	special oil seal
16	0.027.1241.3/20	1	flywheel
17	0.038.1242.0	1	crown wheel Z = 120, mm 15
18	2.1379.006.0	3	lock-tab 15x15x36,5
19	2.0122.515.7	6	screw
20	0.039.1220.3/30	2	engine connecting rod
21	2.1559.114.0/10	2	special bushing
22	0.039.1250.0	4	screw m 14 p.1.5x63
23	0.062.0059.0	6	con.rod half bushing - mm 1.00
23	0.062.1225.0	6	con.rod half bushing STANDARD
23	0.062.1225.7	6	con.rod half bushing - mm 0.25
23	0.062.1225.8	6	con.rod half bushing - mm 0.50

**<https://www.ebooklibonline.com>**

Hello dear friend!

Thank you very much for reading.

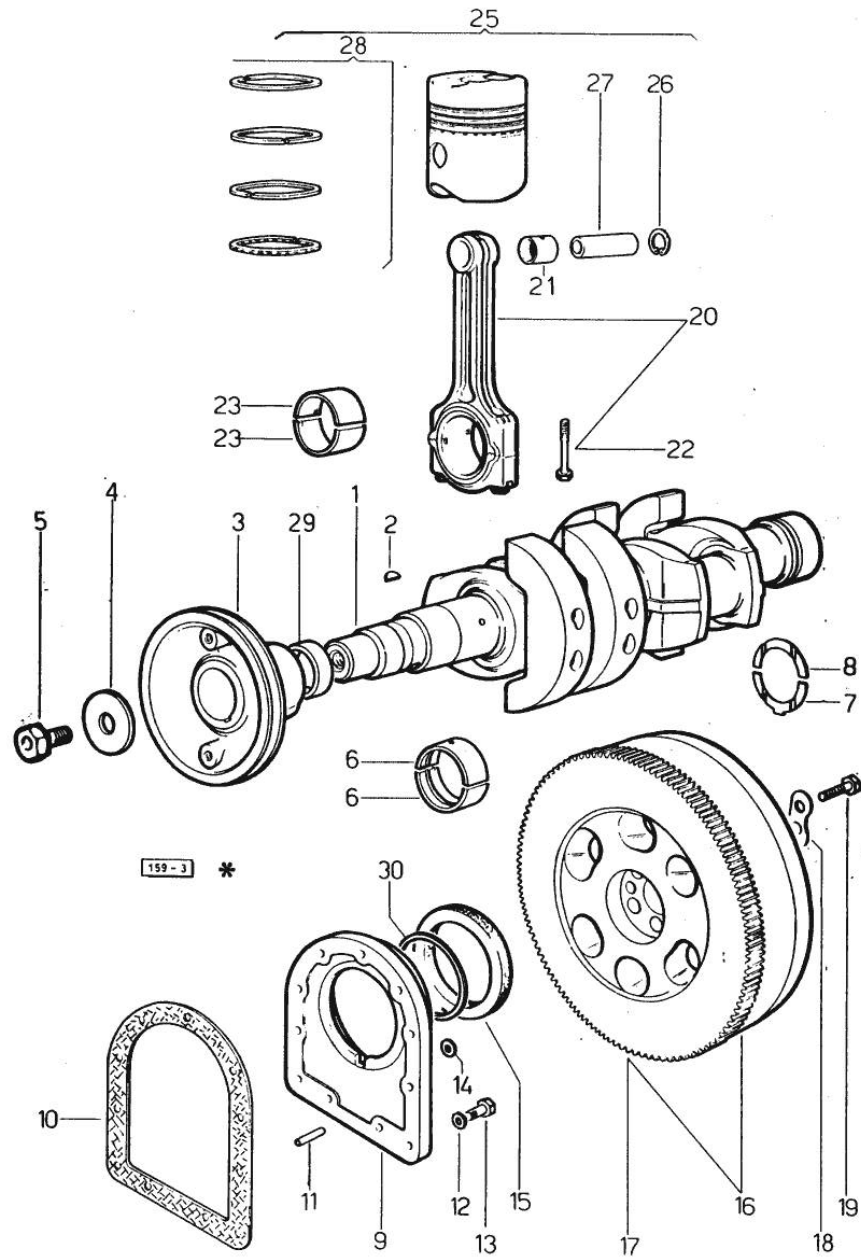
Enter the link into your browser.

The full manual is available for immediate download.

**<https://www.ebooklibonline.com>**

**CRANKSHAFT**

Fig.	P/n	QTY	Name
23	0.062.1225.9	6	con.rod half bushing - mm 0.75
25	0.036.0060.6/10	2	complete piston
25	0.036.0061.6/10	2	complete piston + mm 0.50
25	0.036.0062.6/10	2	complete piston + mm 1.00
26	2.1411.014.1	4	circlip 35
27	0.002.4167.0	2	piston pin
28	0.053.0052.6/10	2	piston ring set
28	0.053.0053.6/10	2	piston ring set + mm 0.50
28	0.053.0054.6/10	2	piston ring set + mm 1.0
29	0.034.1256.0	1	spacer
30	2.1599.404.0	1	shoulder ring



Section: ENGINE

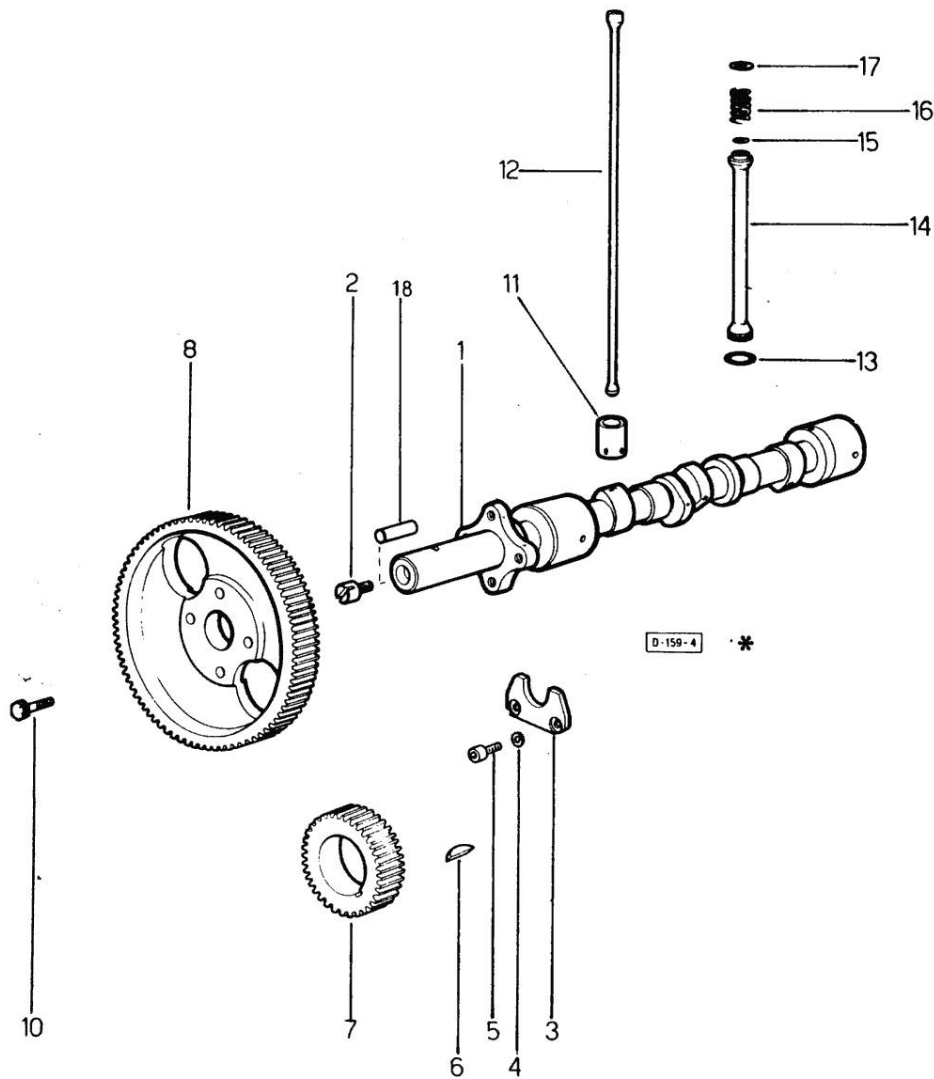
**CAMSHAFT**

Fig.	P/n	QTY	Name
------	-----	-----	------

Notes:

[DELFINO 35 FRUTTETO -> 23107]

1	0.027.1351.0/20	1	camshaft
2	0.027.1350.0/20	1	pin
3	0.027.1314.0/10	1	plate
4	2.1474.009.1	2	spring washer 8
5	2.0312.206.2	2	screw m 8 p 1.25 x 20
6	2.1720.010.0	1	key 5x9
7	0.029.1320.0/10	1	gear wheel
8	0.035.1321.0	1	gear
10	2.0139.006.1	4	screw
11	0.002.3909.0	4	tappets
12	0.037.1331.0	4	rod
13	2.1539.018.0	4	special oil seal
14	0.039.1332.0/10	4	sleeve
15	2.1539.022.0	4	special oil seal 12.37x2.62
16	2.4019.090.1	4	spring 25x34x2.5
16	2.4019.149.1	4	spring 14x29x2
17	2.1569.037.0	4	gasket
18	2.1650.513.0	1	pin 6 x 30



Section: ENGINE  
CYLINDER HEAD

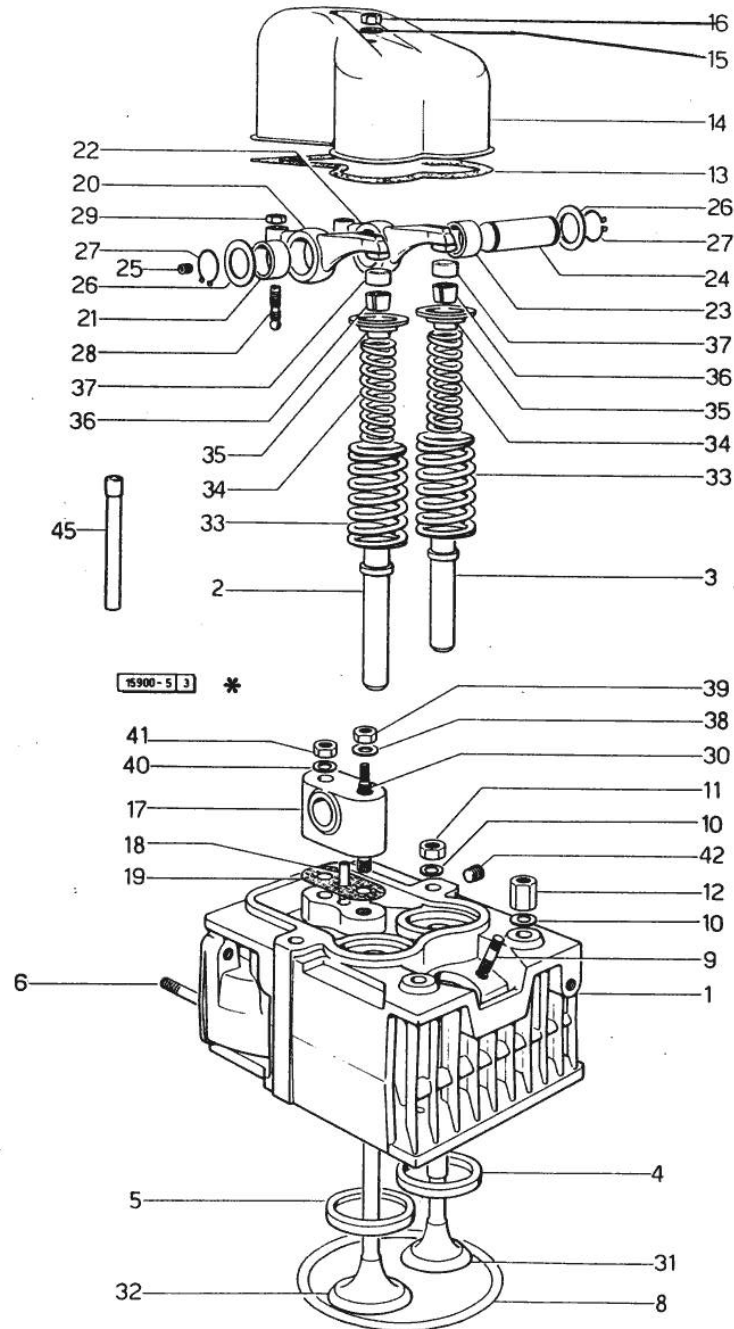


Fig.	P/n	QTY	Name
<b>Notes:</b> [DELFINO 35 FRUTTETO -> 23107]			
0	0.034.0057.6	1	gasket set - FOR 1 CYLINDER VALVE GRINDING AND PISTON RINGS REPLACEMENT
1	0.036.1410.6/20	2	engine head
2	0.037.1416.0	2	valve guide
3	0.037.1417.0/10	2	valve guide
4	0.037.1452.0/10	2	valve seat
5	0.037.1451.0/10	2	valve seat
6	2.0432.003.7	4	stud bolt m 8 p.1.25 / p.1 x 20
6	2.0432.007.7	2	stud bolt m 8 p.1.25 / p.1 x 30
8	2.1569.056.0/10	2	gasket
9	2.0439.087.1/20	4	stud bolt m 8 p.1.25 / p.1 x 40
10	2.1599.406.0	8	shoulder ring
11	2.1019.025.1	6	special nut
12	2.1019.037.1	2	nut m 12 p.1.5x35
13	0.029.1450.0	2	gasket
14	0.039.1440.0	2	cap
15	2.1560.004.0	2	copper gasket 8.2 x 14
16	0.029.1452.0	2	tube
17	0.034.1430.0	2	support
18	0.029.1452.0	2	tube
19	0.034.1450.0	2	tappet gasket
20	002.5937.3/30	2	rocker arm
21	2.1559.021.0/40	2	bushing 15x19x22
22	0.002.5937.3/40	2	-
23	2.1559.021.0/40	2	bushing 15x19x22
24	0.029.1431.0	2	pin
25	2.0512.102.1	2	screw m 6 p.1 x 8
26	2.1599.019.0	4	shoulder ring 19.5x31x2
27	2.1410.055.1	4	circlip 19
28	0.021.1434.0	4	screw
29	2.1121.105.2	4	nut m 8 x 1
30	0.039.1451.0	2	stud bolt
31	0.039.1421.0	2	exhaust valve Ø mm 9
32	0.052.1420.0	2	inlet valve Ø mm 9
33	2.4019.193.0	4	spring 36.15x55.2x3.2
34	2.4019.194.0	4	spring 22.70x50.7x2.1
35	0.002.9215.0/20	4	cup
36	0.074.1423.0	8	conical valve cotter
37	0.021.1453.0/20	4	small cover
38	2.1310.006.2	2	flat washer 10.5x21

Section: ENGINE  
CYLINDER HEAD

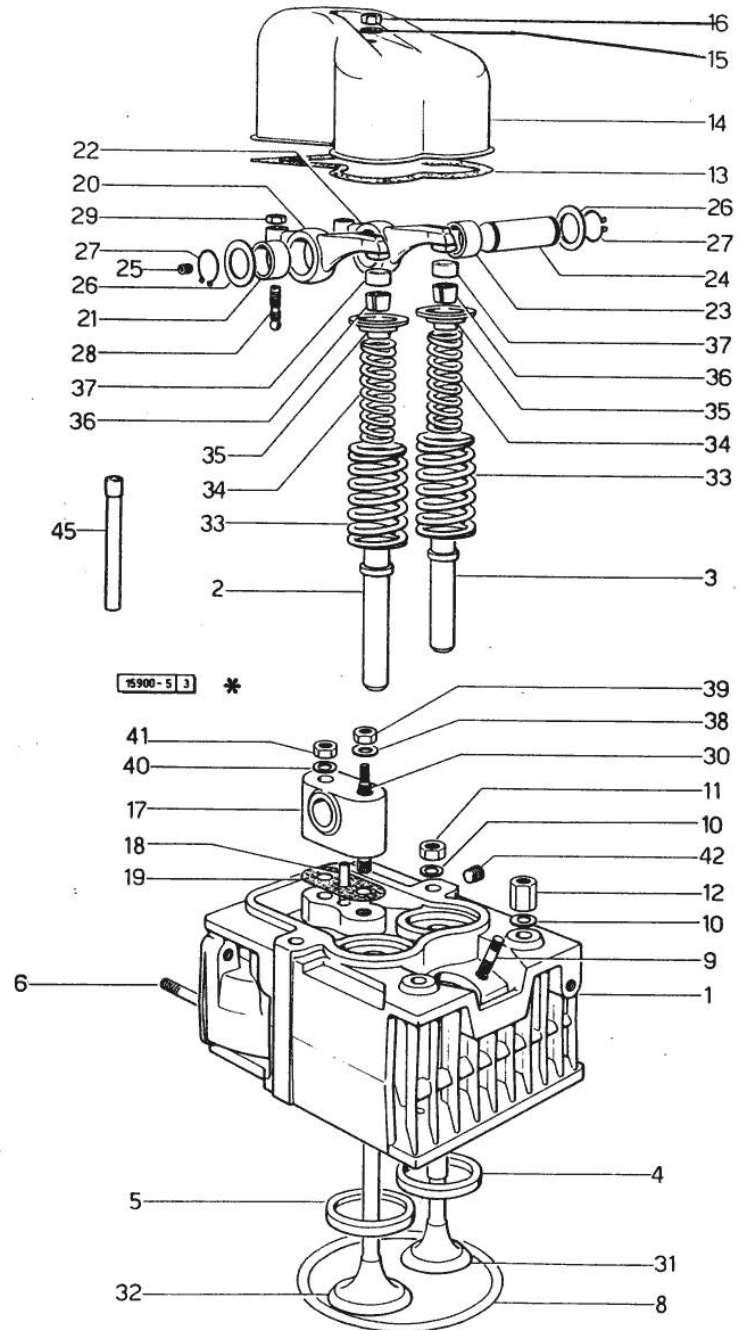


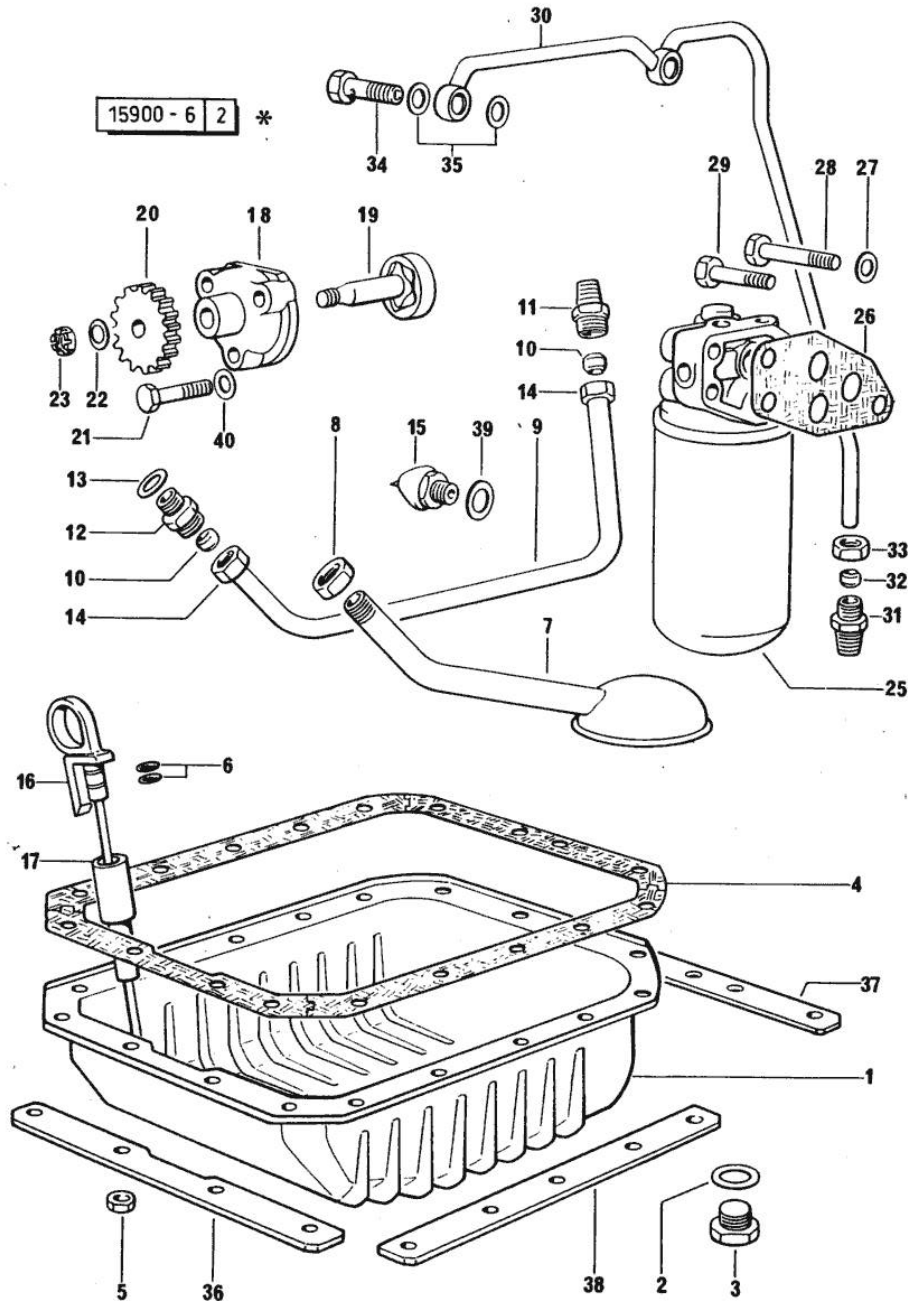
Fig.	P/n	QTY	Name
39	2.1011.421.2	2	nut m 10 p.1.25
40	2.1599.160.0	2	washer 10.5x19x4
41	2.1099.035.1	2	special nut
42	2.3130.001.1	2	plug 1/8" gas
45	0.029.1418.0	4	sleeve

Section: ENGINE  
LUBRICATION

Fig.	P/n	QTY	Name
------	-----	-----	------

Notes:  
[DELFINO 35 FRUTTETO -> 23107]

1	0.027.1510.2	1	oil sump
2	2.1560.054.0	1	gasket 21 x 26
3	2.3199.001.2	1	plug 1/2" gas
4	0.027.1512.2	1	gasket
5	2.1121.105.2	18	nut m 8 x 1
6	2.1539.065.0	2	special oil seal 8.73 x 1.78
7	0.027.1531.3	1	tube
8	2.1099.026.1	1	special nut
9	0.027.1534.0	1	tube
10	2.3359.004.2	2	ring
11	2.3319.014.1	1	pipe union
12	2.3319.013.1	1	pipe union
13	2.1560.013.0	1	gasket 18.2x22
14	2.3369.009.1	2	union nut
15	2.7099.040.0/10	1	pressure switch
16	0.034.1579.2	1	dipstick
			- FOR PERU MARKET
16	0.034.1580.2	1	dipstick
17	0.034.1578.0	1	bush
18	0.027.1520.0	1	pump casing
19	0.027.1522.3	1	rotor
20	0.029.1521.0/10	1	gear
21	2.0112.213.2	3	screw m 8 p.1.25 x 35
22	2.1310.006.2	1	flat washer 10.5x21
23	2.1121.107.2	1	self-locking nut m 10 p 1.25
25	2.4419.240.0	1	oil filter mm 95
			☞ 01.00.6
26	0.037.1552.0/10	1	gasket
27	2.1474.010.1	3	spring washer 10
28	2.0112.320.2	2	screw m 10 p.1.5 x 55
29	2.0112.315.2	1	screw m 10 p.1.5 x 40
30	0.034.1536.3	1	tube
31	2.3319.002.1	1	pipe fitting
32	2.3350.002.1	1	nosepiece 6, d128
33	2.3360.002.1	1	union nut m 10
34	2.3339.001.0	2	pipe fitting m 10 p.1
35	2.1560.006.0	4	gasket 10.2 x 16
36	0.053.1550.0/10	1	small plate
37	0.053.1551.0	1	small plate
38	0.034.1554.0	2	small plate
39	2.1560.008.0	1	gasket 12.2 x 18



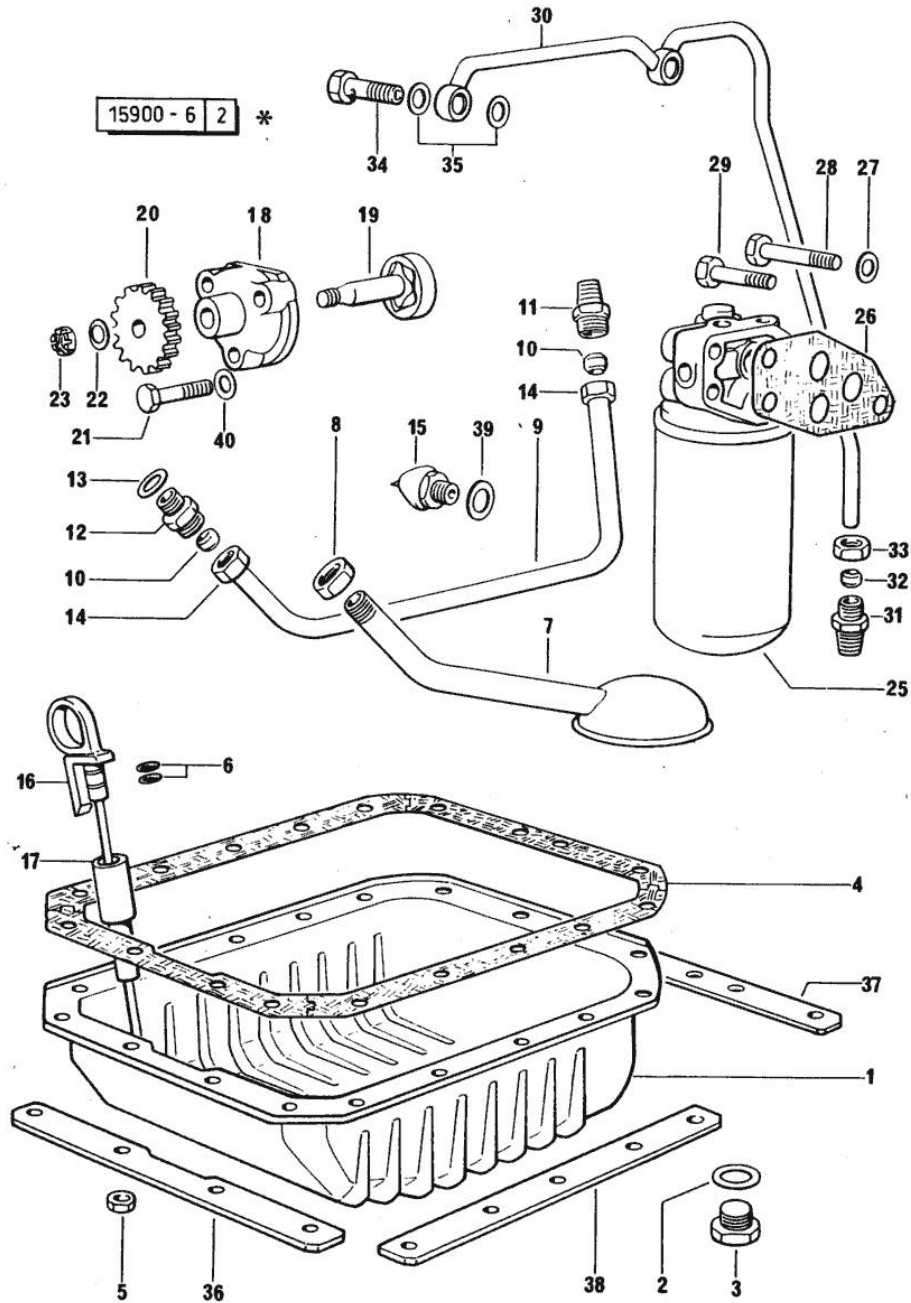


Fig.	P/n	QTY	Name
40	2.1474.009.1	3	spring washer 8



**Suggest:**

**For more complete manuals. Please go to the home page.**

**<https://www.ebooklibonline.com>**

**If the above button click is invalid. Please download this document first, and then click the above link to download the complete manual.**

**Thank you so much for reading**

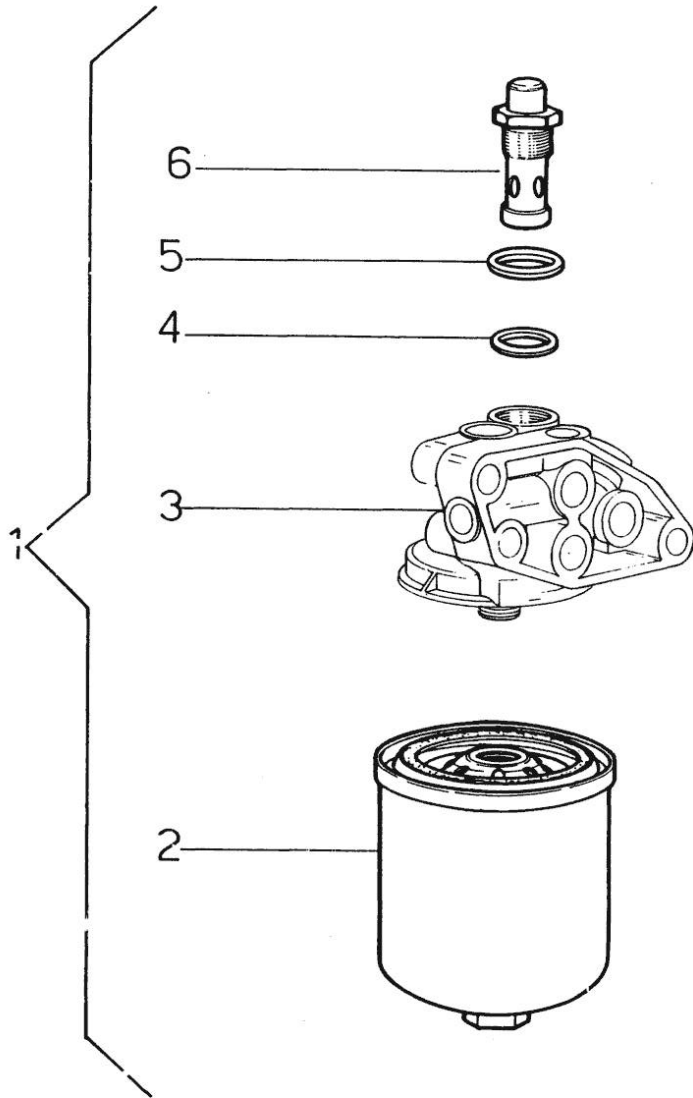
**DETAILS OF OIL FILTER**

Fig.	P/n	QTY	Name
------	-----	-----	------

**Notes:**

[DELFINO 35 FRUTTETO -> 23107]

1	2.4419.240.0	1	oil filter mm 95
2	2.4419.140.1	1	oil filter element
3	0.000.0000.1	1	cannot be supplied
4	2.1530.045.0	1	oil seal 17.86x2.62
5	2.4419.130.4	1	gasket
6	2.4419.130.2	1	valve



**2.4419.240.0**

Section: ENGINE

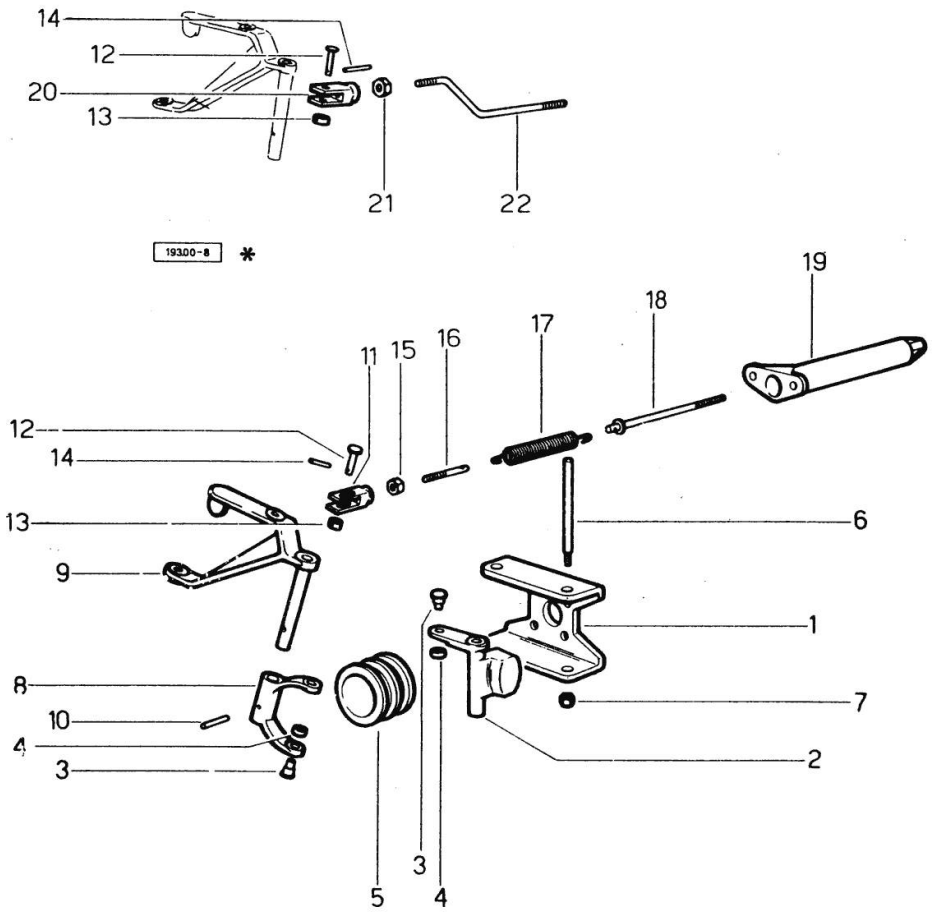
FUEL SUPPLY SYSTEM

Fig.	P/n	QTY	Name
------	-----	-----	------

Notes:

[DELFINO 35 FRUTTETO -> 23107]

1	0.029.1615.0	1	bracket
2	0.029.1616.0	2	adjust.rocker
3	0.029.1652.0	4	pin
4	0.029.1653.0	4	roller
5	0.029.1618.0	1	sleeve
6	0.029.1617.0	2	pin
7	2.1120.005.2	2	nut m 8 p.1.25
8	0.027.1670.0	1	fork
9	0.027.1668.3	1	lever
10	2.1631.311.0	1	roll pin 3x24
11	2.3519.004.2/10	1	fork
12	2.1679.018.0	2	pin
13	2.1599.109.0	2	shoulder ring
14	2.1630.006.0	2	roll pin 2x12
15	2.1011.103.2	1	nut m 6 p.1
16	0.029.1627.0/10	1	rod
17	2.4049.072.1	1	spring
18	0.035.1626.3	1	rod
19	0.029.1624.0	1	spring holder
20	0.000.4699.0	1	fork
21	2.1011.103.2	2	nut m 6 p.1
22	0.027.1674.0	1	rod



**<https://www.ebooklibonline.com>**

Hello dear friend!

Thank you very much for reading.

Enter the link into your browser.

The full manual is available for immediate download.

**<https://www.ebooklibonline.com>**