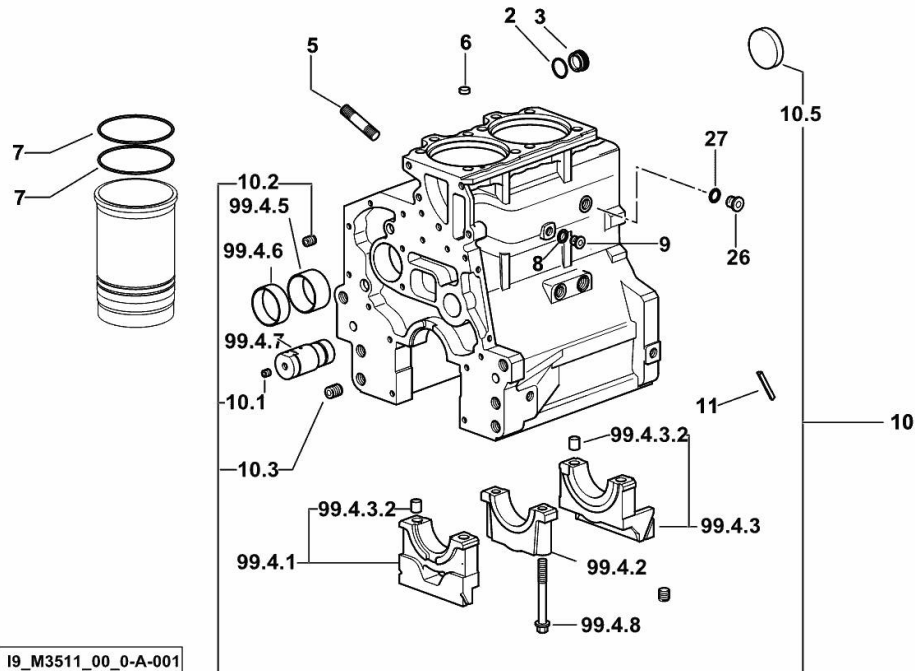


CRANKCASE

Fig.	P/n	QTY	Name
------	-----	-----	------

Notes:
[SAME 40]

2	2.1532.072.0	1	oil seal 26.70x1.78
3	2.3199.405.2	1	plug m 28 p.1.5
5	2.0432.003.7	6	stud bolt m 8 p.1.25 / p.1 x 20
6	2.1559.188.2	2	bush 11.4 x 14 x16
7	2.1539.259.0	4	special oil seal 107.62x2.62
8	2.1560.010.0	1	gasket 14.2 x 20
9	2.3199.292.0	1	plug 1/4" gas
10	0.012.9781.4/20	1	crankcase
10.1	2.3130.001.1	7	plug 1/8" gas
10.2	2.3130.002.1	2	plug 1/4" gas
10.3	2.3130.003.1	2	plug 3/8" gas
10.5	2.3179.012.0	1	plug 60
11	0.066.1152.0/10	4	gasket
26	2.3120.101.0	1	plug m 18 p.1.5
27	2.1560.014.0	1	washer 18.2 x 24
99.4.1	0.065.1112.3	1	support
99.4.2	0.065.1114.0/10	1	support
99.4.3	0.065.1116.3	1	support
99.4.3.2	2.1699.165.0	1	bush 12.3x15x16
99.4.5	0.012.0829.0	1	special bushing 59X55X20
99.4.6	0.012.0830.0	1	special bushing 59X55X30
99.4.7	0.014.1340.0/10	1	pin mm 85
99.4.8	0.065.1117.0	1	screw m 12 x 100



19_M3511_00_0-A-001

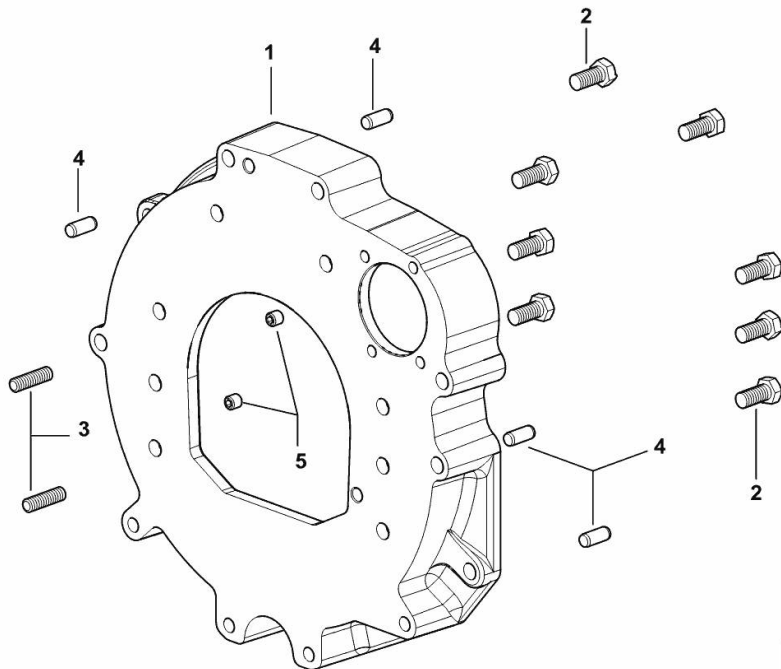
MONOBLOC ENGINE-GEARBOX CONNECTING FLANGE

Fig.	P/n	QTY	Name
------	-----	-----	------

Notes:

[SAME 40]

1	0.015.8814.0	1	flange
2	2.0112.511.2	8	screw m 14 p.2 x 30
3	2.0432.255.7	2	stud bolt m 12 p.1.75-1.25x25
4	2.1651.912.0	4	cylindrical plug 12x28
5	2.0512.404.7	2	screw



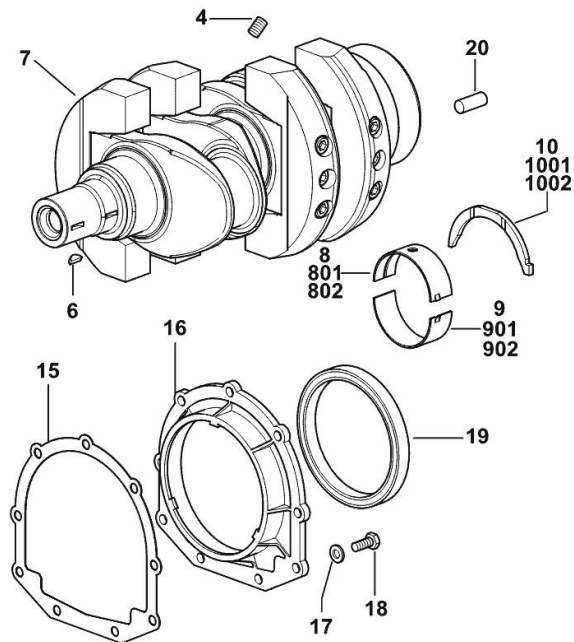
I9_38511_01_0-A-001

CRANKSHAFT

Fig.	P/n	QTY	Name
------	-----	-----	------

Notes:

[SAME 40]



19_M3512_00_0-A-001

4	2.3130.001.1	3	plug 1/8" gas
6	2.1720.006.0	2	key 4x6.5
7	0.012.9799.3/30	1	crankshaft
8	0.065.1215.0/10	3	main half bushing STANDARD
9	0.065.1216.0/10	3	main half bushing STANDARD
10	0.065.1218.0	4	shim STANDARD
15	0.065.1254.0/20	1	gasket
16	0.007.1711.0/10	1	cover
17	2.1475.002.2	9	conical washer 8
18	2.0112.207.2	9	screw m 8 p 1.25 x 20
19	2.1529.073.0	1	special oil seal 110x130x13
20	2.1652.915.0	1	cylindrical plug 12x35
801	0.065.1215.7	1	main half bushing - mm 0.25
802	0.065.1215.8	1	main half bushing - mm 0.50
901	0.065.1216.7	1	main half bushing - mm 0.25
902	0.065.1216.8	1	main half bushing - mm 0.50
1001	0.065.1218.7	1	shim + mm 0.10
1002	0.065.1218.8	1	shim + mm 0.15

<https://www.ebooklibonline.com>

Hello dear friend!

Thank you very much for reading.

Enter the link into your browser.

The full manual is available for immediate download.

<https://www.ebooklibonline.com>

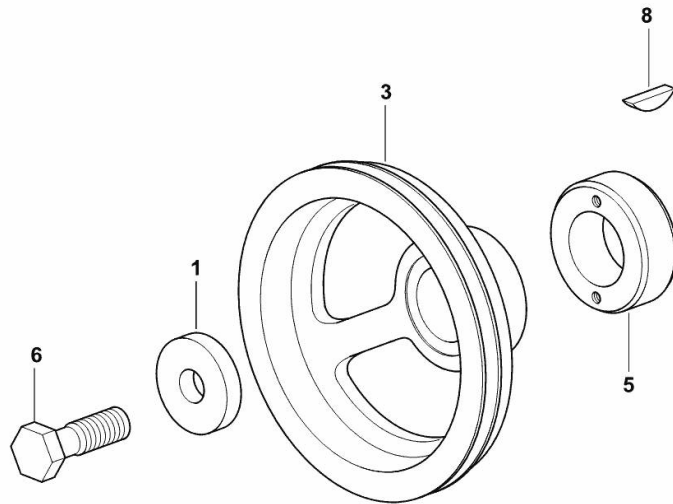
CRANKSHAFT PULLEY

Fig.	P/n	QTY	Name
------	-----	-----	------

Notes:

[SAME 40]

1	2.1599.524.7	1	washer 21x60x12
3	0.014.5093.0	1	pulley (-> 22399)
5	0.085.1248.0/20	1	hub (-> 22399)
6	2.0399.144.7/10	1	screw m 20 p.1.5x51
8	2.1720.006.0	1	key 4x6.5



19_M3512_04_0-A-001

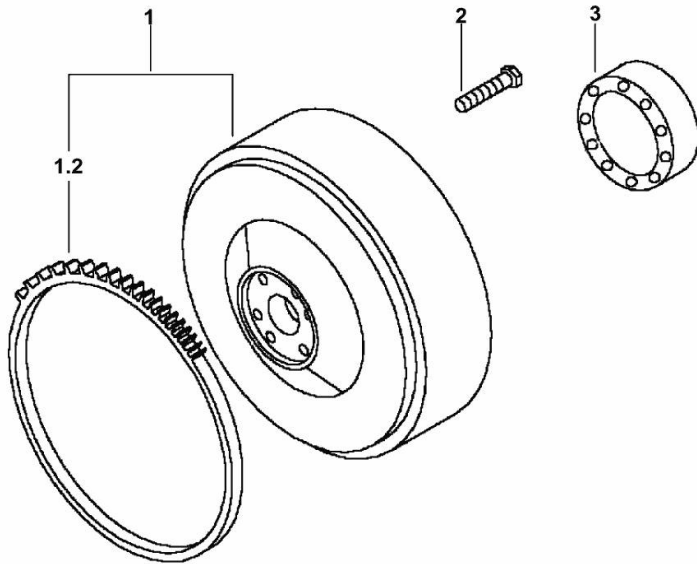
Section: B0 - ENGINE
ENGINE FLYWHEEL

Ref: B0.02.11 (1)

Fig.	P/n	QTY	Name
------	-----	-----	------

Notes:
[SAME 40]

1	0.017.8800.3	1	flywheel
1.2	0.069.1242.0	1	crown wheel Z = 121
2	2.0119.174.0/10	6	screw m 12 p.1.25x45
3	2.2041.008.9	1	ball bearing 20x47x14



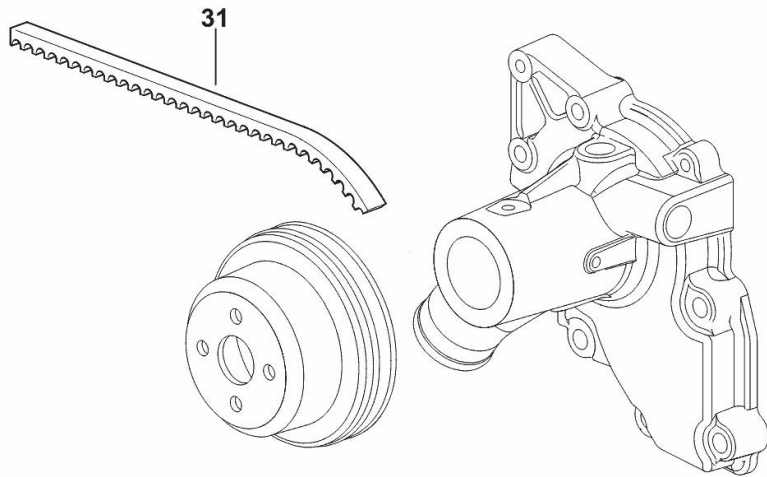
19_M3512_07_0-A-001

COOLANT PUMP DRIVEBELT

Fig.	P/n	QTY	Name
------	-----	-----	------

Notes:
[SAME 40]

31	2.4119.198.0	1	vee belt AV 10.7x1240 mm (-> 22399)
----	--------------	---	---------------------------------------



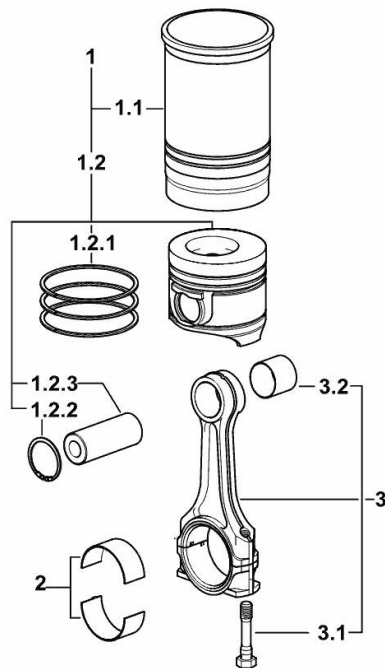
19_38519_11_0-B-001

CYLINDER - PISTON - CONNECTING ROD

Fig.	P/n	QTY	Name
------	-----	-----	------

Notes:

[SAME 40]



I9_M3512_01_M-A-001

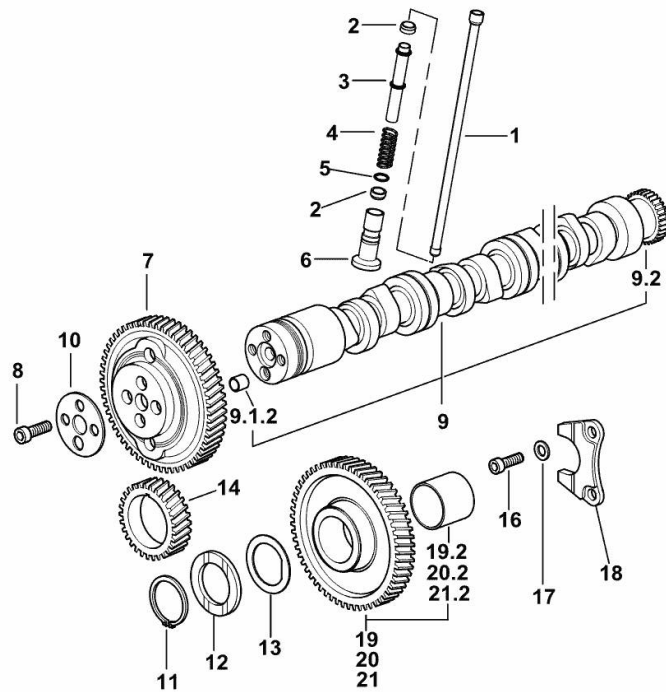
1	0.386.0065.A	3	cyl. piston assembly "A" - CLASS A
1	0.386.0065.B	3	cyl. piston assembly "B" - CLASS B
1.1	0.A12.2675.0	1	engine cylinder "A" - CLASS A
1.1	0.B12.2675.0	1	engine cylinder "B" - CLASS B
1.2	0.379.0060.A	1	complete piston "A" - CLASS A
1.2	0.379.0060.B	1	complete piston "B" - CLASS B
1.2.1	0.086.0052.6/10	1	piston ring set
1.2.2	2.1411.014.1	1	circlip 35
1.2.3	0.078.1236.0	1	piston pin Ø 18 / Ø 35 / L = mm 86
2	0.065.1225.0	6	con.rod half bushing STANDARD - A = 28.75 -> 29.00
2	0.065.1225.7	6	con.rod half bushing - mm 0.25
2	0.065.1225.8	6	con.rod half bushing - mm 0.50
3	0.078.1220.3/30	1	engine connecting rod
3.1	2.0399.213.0	2	screw m 12 p.1.25x61.5
3.2	2.1559.114.0/10	1	special bushing

CAMSHAFT

Fig.	P/n	QTY	Name
------	-----	-----	------

Notes:

[SAME 40]



19_M3513_00_0-A-001

1	0.065.1331.2	4	rod
2	2.1569.114.0/10	8	gasket 14x18.5x8
3	0.065.1332.0	4	sleeve
4	2.4019.300.1/10	4	spring 18.5x52x2
5	2.1599.437.0	4	shoulder ring
6	0.065.1330.0	4	tappets
7	0.013.5017.0	1	gear z=58
8	2.0132.207.2	4	screw m 10 p.1 x 25
9	0.012.0701.4	1	none
9.1.2	2.1559.398.0	1	bushing 10.5x13x12
9.2	0.065.1324.0/10	1	gear Z = 32
10	0.065.1350.0	1	small disc
11	2.1410.016.1	1	circlip 40
12	0.065.1352.0	1	shim
13	0.018.2233.0	2	shoulder ring
14	0.065.1323.0/30	1	gear Z = 29
16	2.0312.205.2	2	screw
17	2.1480.014.1	2	washer 8
18	0.065.1353.0	1	small plate
19	0.007.1177.3/20	0.1	gear z = 57
19.2	2.1559.185.0/10	1	bushing
20	0.007.1178.3/20	0.1	gear z = 57
20.2	2.1559.185.0/10	1	bushing
21	0.007.1179.3/20	0.8	gear z = 57
21.2	2.1559.185.0/10	1	bushing

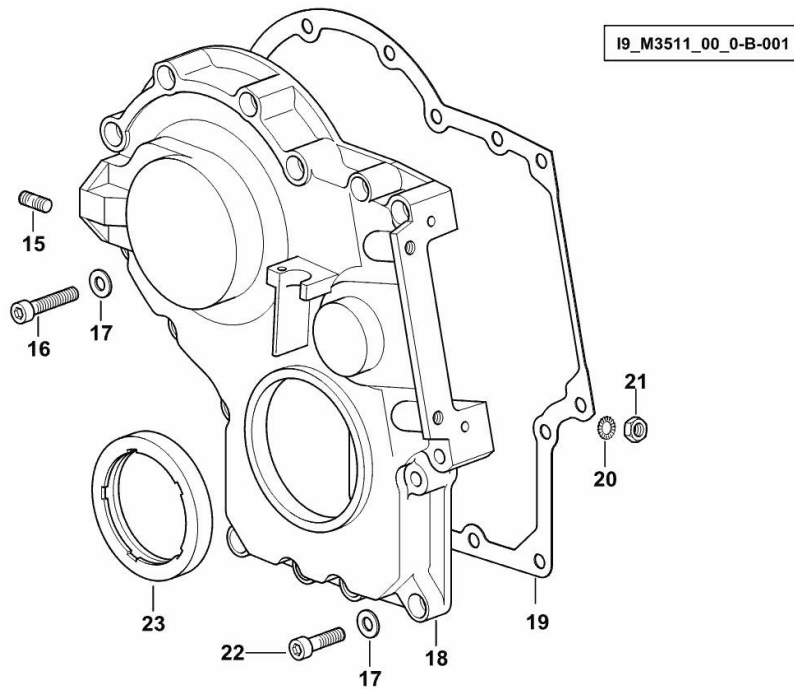
TIMING CASE

Fig.	P/n	QTY	Name
------	-----	-----	------

Notes:

[SAME 40]

15	2.0432.003.7	2	stud bolt m 8 p.1.25 / p.1 x 20
16	2.0312.214.2	7	screw m 8 p.1.25 x 40
17	2.1480.014.1	15	washer 8
18	0.013.4981.0	1	guard
19	0.065.1150.0/30	1	gasket
20	2.1470.004.2	4	lock washer 8
21	2.1011.405.2	2	nut m 8 p.1
22	2.0312.208.2	8	screw m 8 p.1.25 x 25
23	2.1529.167.0	1	oil seal

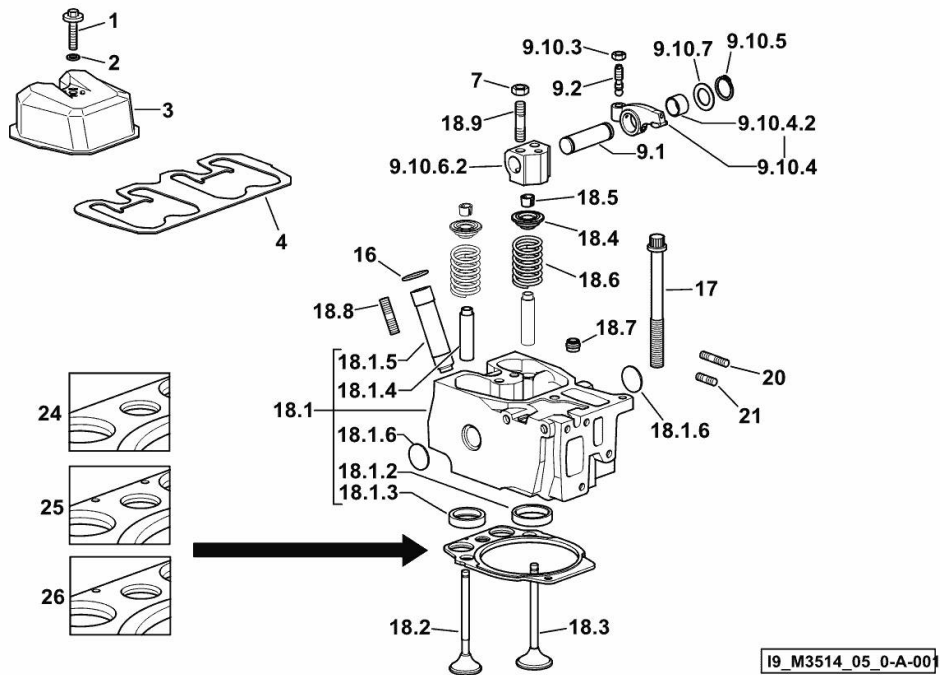


Section: B0 - ENGINE
CYLINDER HEAD

Fig.	P/n	QTY	Name
------	-----	-----	------

Notes:
 [SAME 40]

1	2.0399.130.2/10	2	screw m 8x36x44
2	2.1569.170.0/10	2	gasket 8.2 x 14
3	0.016.0291.0	2	small cap
4	0.012.9811.0	1	gasket
7	2.1011.421.2	4	nut m 10 p.1.25
9.1	0.066.1431.0	1	pin
9.2	0.021.1434.0	2	screw
9.10.3	2.1011.405.2	2	nut m 8 p.1
9.10.4	0.066.1432.3	2	rocker arm
9.10.4.2	2.1559.021.0/40	1	bushing 15x19x22
9.10.5	2.1410.055.7	2	circlip 19
9.10.6.2	0.066.1430.0/10	1	support
9.10.7	2.1599.432.0	2	shoulder ring
16	2.1530.051.0	2	oil seal 20.22x3.53
17	0.012.2673.0	8	screw m 14 p.2x141
18.1	0.014.8945.3/10	1	head
18.1.2	0.014.8942.0	1	valve seat mm 45.118
18.1.3	0.014.8941.0	1	valve seat mm 40.653
18.1.4	0.007.1779.0/20	2	valve guide
18.1.5	0.010.6041.0/10	1	bush
18.1.6	2.3170.012.2	2	expansion plug Ø 30
18.2	0.014.0120.0	1	exhaust valve mm 39.1 / Ø mm 9
18.3	0.014.0117.0	1	inlet valve mm 43.63 / Ø mm 9
18.4	0.066.1425.0	2	cup
18.5	0.074.1423.0	4	conical valve cotter
18.6	2.4019.287.0	2	spring
18.7	2.1519.117.0	2	special oil seal
18.8	2.0432.161.7	1	stud bolt m 10 p.1.5 / p.1.25 x 40
18.9	2.0432.163.7	2	stud bolt m 10 p.1.5 / p.1.25 x 45
20	2.0432.011.7	2	stud bolt m 8 p.1.25 / p.1 x 40
21	2.0432.005.7	2	stud bolt m 8 p.1.5 / p.1 x 25
24	0.014.5260.0/10	0.5	gasket - A - mm 1.4 (-> 22399)
25	0.014.5259.0/10	1	gasket - B - mm 1.2 (-> 22399)
26	0.014.5261.0/10	0.5	gasket - C - mm 1.6 (-> 22399)

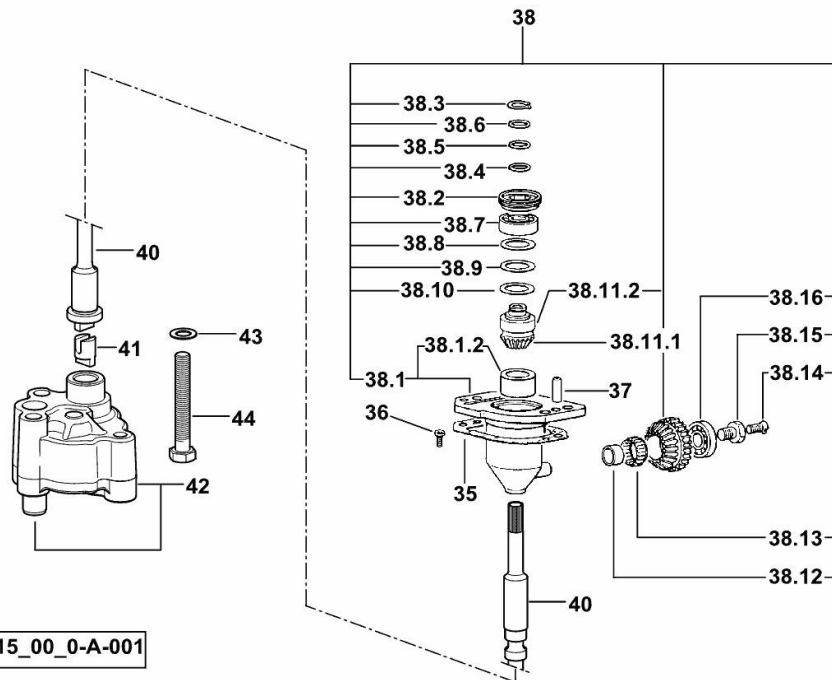


Section: B0 - ENGINE
ENGINE OIL PUMP

Fig.	P/n	QTY	Name
------	-----	-----	------

Notes:
 [SAME 40]

35	0.065.1560.0/30	2	gasket
36	2.0169.005.2	2	screw m 6 p.1 x 12
37	2.1652.711.0	2	cylindrical plug 8x25
38	0.075.1551.4/30	1	support
38.1	0.075.1551.3/40	1	support
38.1.2	2.1559.186.0	1	special bushing 26 x 31.5 x 35
38.2	2.1219.025.2/10	1	ring nut m 36 p.1.5
38.3	2.1410.057.1	1	circlip 15
38.4	2.1589.153.0	1	shoulder ring 15.2 x 19 x 1.00
38.5	2.1589.146.0	2	shoulder ring 15.2 x 19 x 0.15
38.6	2.1589.147.0	2	shoulder ring 15.2 x 19 x 0.10
38.7	2.2020.001.0	1	ball bearing 15 x 32 x 8.00
38.8	2.1589.148.0	1	shoulder ring 28.2 x 31.8 x 0.5
38.9	2.1589.150.0	2	shoulder ring 28.2 x 31.8 x 0.1
38.10	2.1589.151.0	2	shoulder ring 28.2 x 31.8 x 0.15
38.10.1	0.065.1558.6/10	1	bevel drive
38.10.2	0.065.1559.0	1	bush
38.12	2.2680.020.0	1	ring 12 x 15 x 12
38.13	2.2725.016.0	1	roller cage 15 x 21 x 12
38.14	2.0342.007.2	1	screw m 4 p.0.7x25
38.15	2.0399.128.2/10	1	screw m 8 p.1 x 8
38.16	2.2030.002.0	1	ball bearing 12 x 28 x 8
40	0.065.1569.0/40	1	shaft
41	0.065.1562.0/10	1	joint
42	0.014.7994.4	1	oil pump
43	2.1470.006.2	2	lock washer 10
44	2.0112.323.2	2	screw m 10 p.1.5x70



19_M3515_00_0-A-001

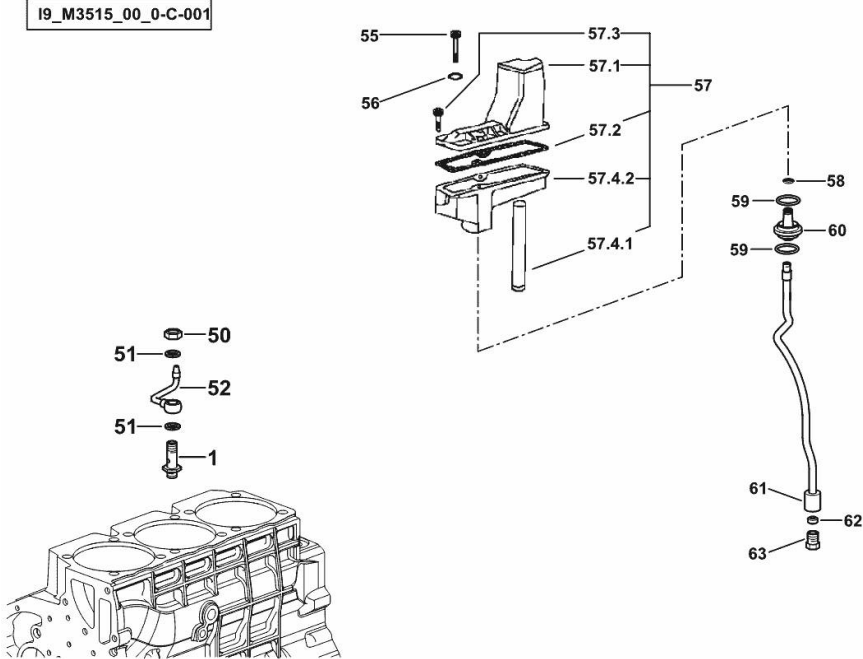
LUBRICATION

Fig.	P/n	QTY	Name
------	-----	-----	------

Notes:
[SAME 40]

1	0.065.1160.3/20	2	valve
50	2.1099.108.2	2	special nut m 10 p.1
51	2.1560.006.0	8	gasket 10.2 x 16
52	0.086.1550.2	2	sprayer nozzle
55	2.0312.221.2	2	screw m 8 p.1.25x75
56	2.1480.014.1	2	washer 8
57	0.012.0688.4	1	sediment bowl
57.1	0.066.1553.0	1	cover
57.2	0.066.1554.0/20	1	gasket
57.3	2.0399.304.2	4	screw m 4 x 10
57.4.1	0.066.1555.0	1	tube
57.4.2	0.012.0688.0	1	small tank
58	2.1532.012.0	1	oil seal 6.75 x 1.78
59	2.1539.072.0	2	special oil seal 23.52 x 1.78
60	0.066.1558.0	1	bush
61	0.066.1557.2	1	tube
62	2.3350.003.1	1	nosepiece 8
63	2.3339.418.1	1	pipe fitting m 12 p.1

19_M3515_00_0-C-001



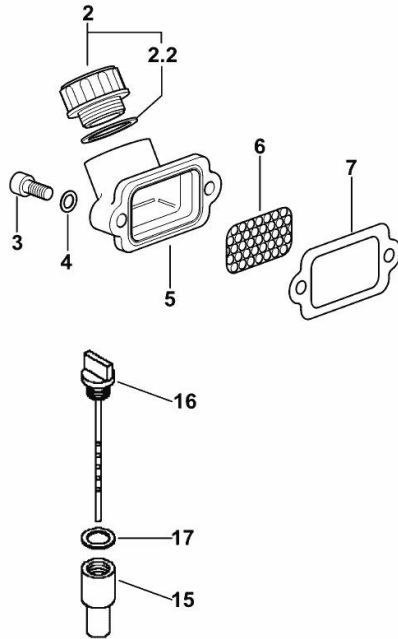
LUBRICATION

Fig.	P/n	QTY	Name
------	-----	-----	------

Notes:

[SAME 40]

2	0.041.1135.4	1	plug 1" gas
2.2	2.1569.072.0	1	gasket 32 x 39.5 x 2
3	2.0312.205.2	2	screw
4	2.1480.014.1	2	washer 8
5	0.012.0613.0	1	pipe union
6	0.065.1567.0/10	1	filter
7	0.065.1566.0	1	gasket
15	0.012.0684.0	1	none
16	0.012.0682.2	1	dipstick
17	2.1539.065.0	1	special oil seal 8.73 x 1.78



I9_M3515_00_0-B-001



Suggest:

For more complete manuals. Please go to the home page.

<https://www.ebooklibonline.com>

If the above button click is invalid. Please download this document first, and then click the above link to download the complete manual.

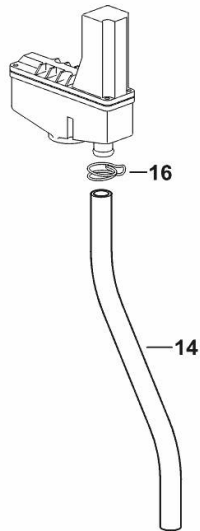
Thank you so much for reading

SEDIMENTER BOWL BREATHER PIPE

Fig.	P/n	QTY	Name
------	-----	-----	------

Notes:
[SAME 40]

14	0.066.1559.0	1	tube
16	2.6859.073.2	1	clamp



I9_38519_11_0-C-001

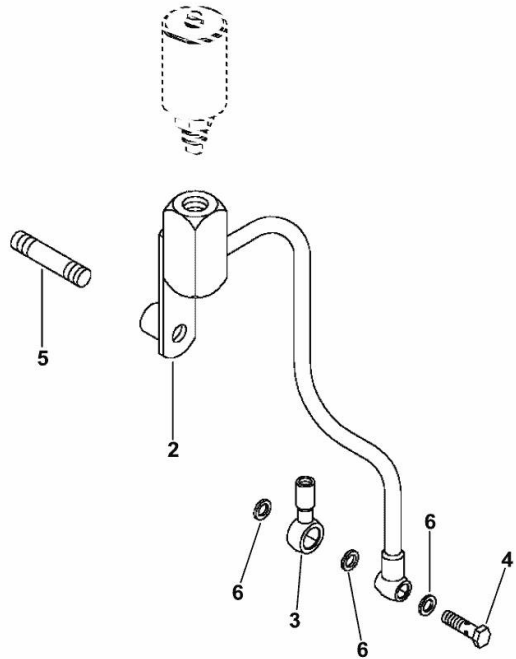
PIPE FOR OIL PRESSURE SENSOR

Fig.	P/n	QTY	Name
------	-----	-----	------

Notes:

[SAME 40]

2	0.010.4868.3	1	tube
3	2.3249.014.2	1	pipe fitting m 12 p.1.5
4	2.3339.746.2	1	pipe union
5	2.0432.013.7	1	stud bolt m 8 p.1.25 / p.1 x 45
6	2.1560.008.0	3	gasket 12.2 x 18



I9_38515_03_0-B-001

<https://www.ebooklibonline.com>

Hello dear friend!

Thank you very much for reading.

Enter the link into your browser.

The full manual is available for immediate download.

<https://www.ebooklibonline.com>