

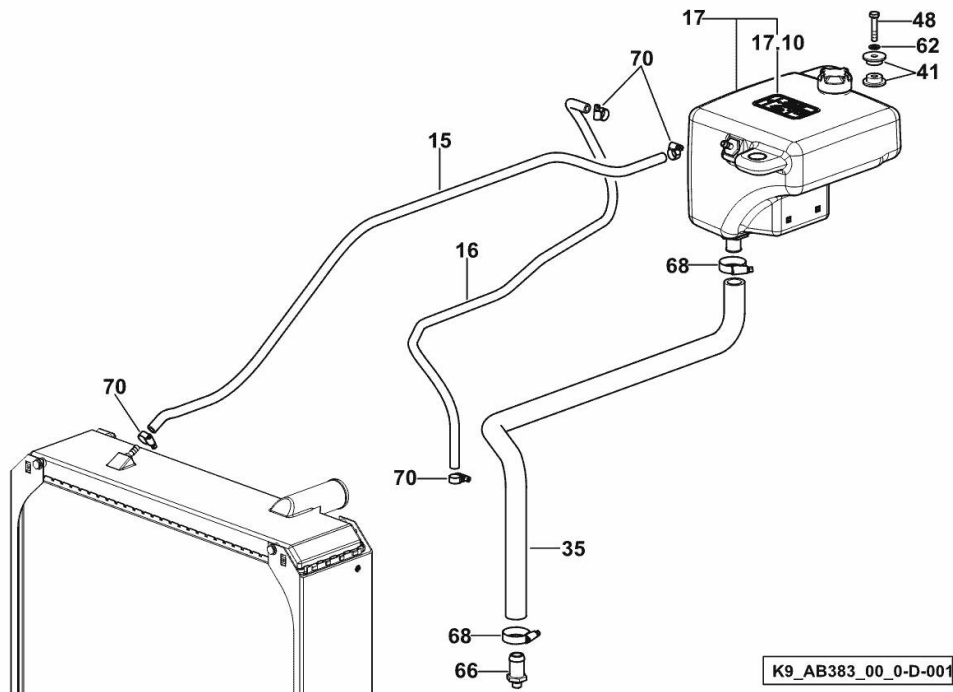
**COOLANT RESERVOIR**

| Fig. | P/n | QTY | Name |
|------|-----|-----|------|
|------|-----|-----|------|

**Notes:**

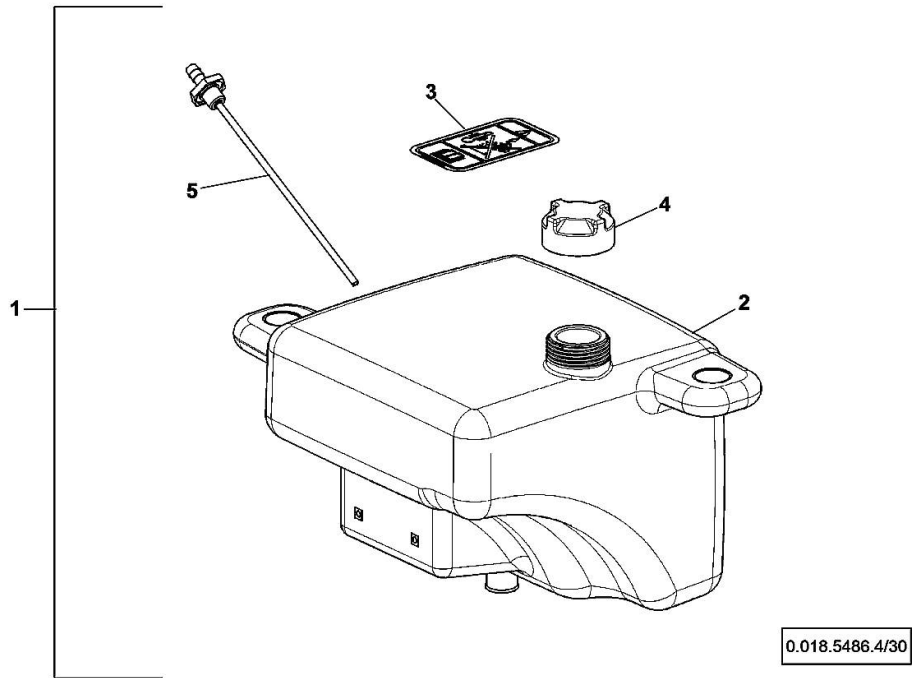
[AUDAX 200]

|       |                 |   |                                 |
|-------|-----------------|---|---------------------------------|
| 15    | 0.018.4694.0    | 1 | tube                            |
| 16    | 0.018.4701.0    | 1 | tube                            |
| 17    | 0.018.5486.4/30 | 1 | small tank<br>☞ 0.018.5486.4/30 |
| 17.10 | 2.9939.280.0    | 1 | plate                           |
| 35    | 0.020.2118.0    | 1 | tube                            |
| 41    | 04432147        | 4 | ring                            |
| 48    | 2.0114.215.2    | 2 | screw m 8 p.1.25 x 40           |
| 62    | 2.1475.002.2    | 2 | conical washer 8                |
| 66    | 2.3249.549.2    | 1 | pipe fitting m 14 p.1.5         |
| 68    | 2.6851.003.0    | 2 | clamp Ø 25/40                   |
| 70    | 2.6851.018.0    | 4 | clamp Ø11/17                    |

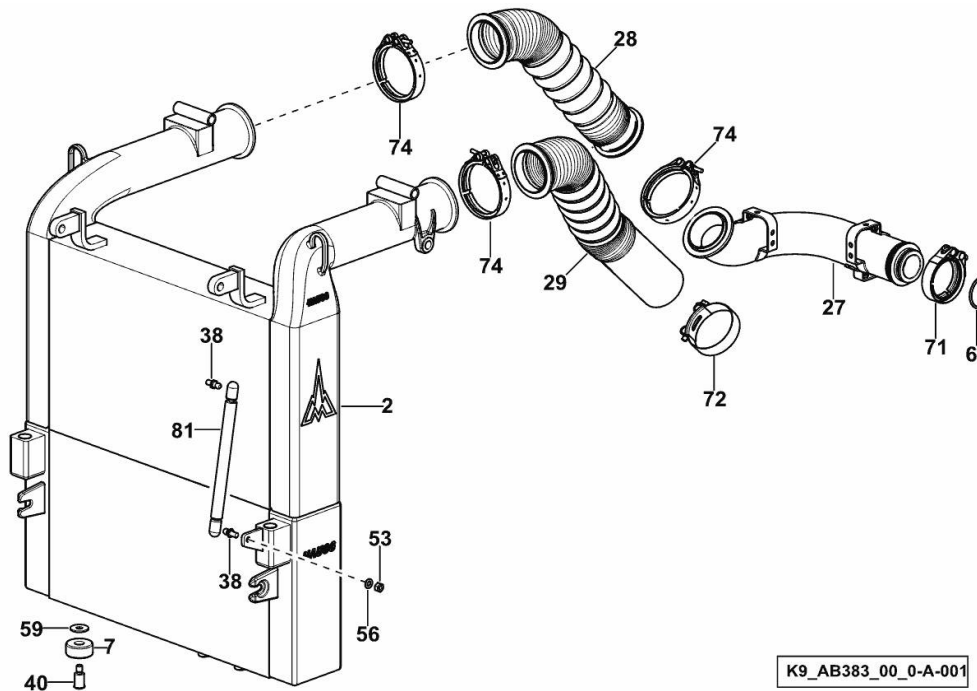


**WATER TANK**

| Fig. | P/n             | QTY | Name               |
|------|-----------------|-----|--------------------|
| 1    | 0.018.5486.4/30 | 1   | small tank         |
| 2    | 0.000.0000.1    |     | cannot be supplied |
| 3    | 2.9939.280.0    | 1   | plate              |
| 4    | 0.010.3465.1    | 1   | plug               |
| 5    | 0.020.1742.3/10 | 1   | tube               |



**INTERCOOLER - RADIADOR DO ÓLEO DA CAIXA DE VELOCIDADES**



| Fig. | P/n | QTY | Name |
|------|-----|-----|------|
|------|-----|-----|------|

Notes:

[AUDAX 200]

|    |                 |    |                     |
|----|-----------------|----|---------------------|
| 2  | 0.020.0792.4    | 1  | intercooler         |
| 7  | 0.007.0675.0    | 4  | silent-block        |
| 27 | 0.020.0489.3/10 | 1  | tube                |
| 28 | 0.021.5541.4/10 | 1  | sleeve              |
| 29 | 0.021.5543.4/10 | 1  | sleeve              |
| 38 | 04399070        | 2  | ball joint          |
| 40 | 04431909/10     | 4  | pin                 |
| 53 | 2.1011.105.2    | 9  | nut m 8 p.1.25      |
| 56 | 2.1310.004.2    | 47 | flat washer 8.4x17  |
| 59 | 2.1312.005.2    | 4  | washer 10.2         |
| 64 | 2.1532.508.0    | 1  | oil seal 50.40x3.53 |
| 71 | 2.6859.118.0    | 1  | clamp Ø 77          |
| 72 | 2.6859.148.2    | 1  | clamp Ø 79-85       |
| 74 | 2.6859.166.0    | 3  | clamp Ø 97          |
| 81 | 0.017.4845.4    | 1  | shock absorber      |

**<https://www.ebooklibonline.com>**

Hello dear friend!

Thank you very much for reading.

Enter the link into your browser.

The full manual is available for immediate download.

**<https://www.ebooklibonline.com>**

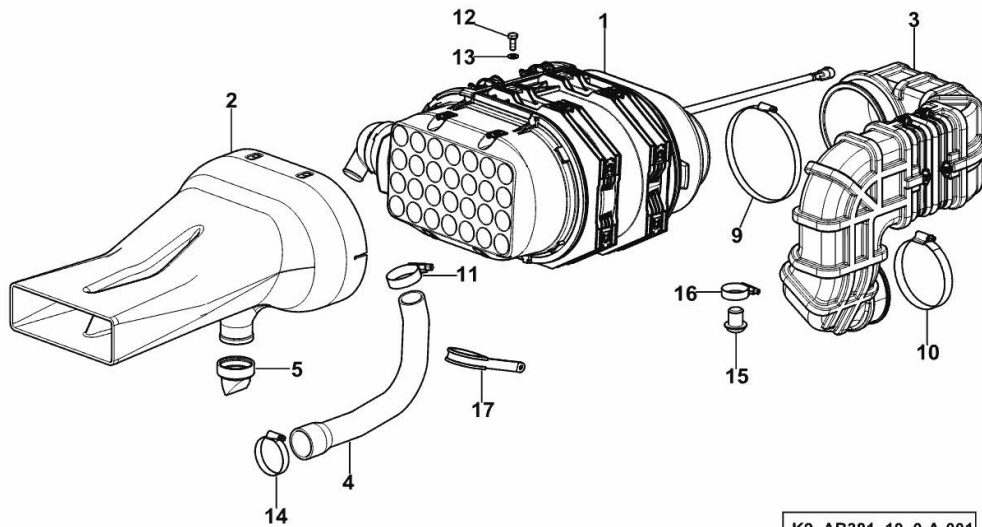
**AIR FILTER**

| Fig. | P/n | QTY | Name |
|------|-----|-----|------|
|------|-----|-----|------|

**Notes:**

[AUDAX 200]

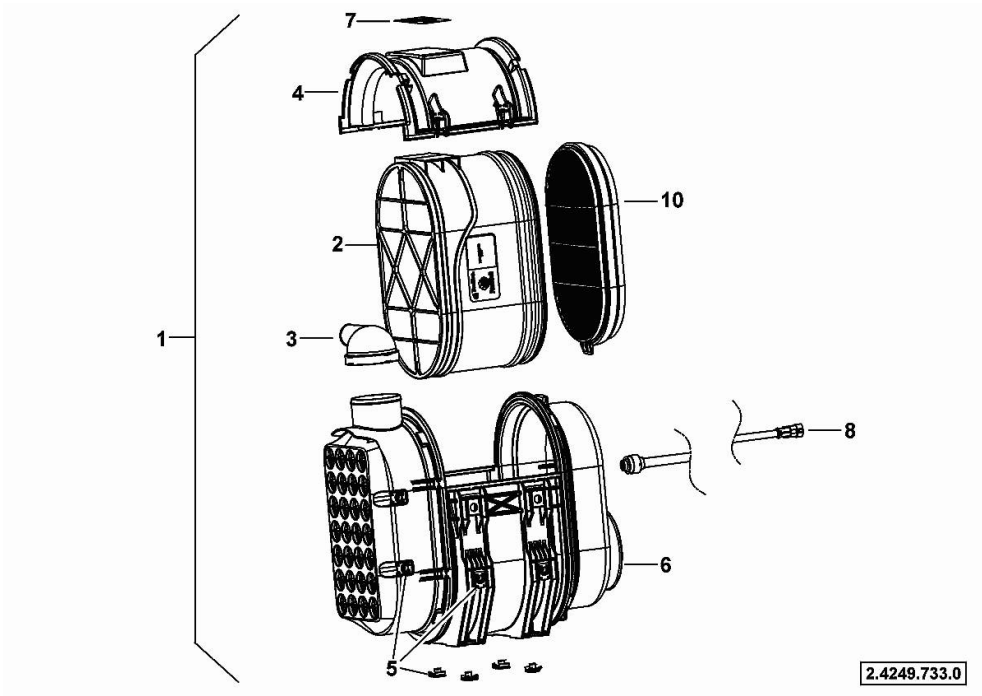
|    |                 |   |                              |
|----|-----------------|---|------------------------------|
| 1  | 2.4249.733.0    | 1 | air filter<br>☞ 2.4249.733.0 |
| 2  | 0.019.9258.0/10 | 1 | sleeve                       |
| 3  | 0.021.8326.3    | 1 | sleeve                       |
| 4  | 0.020.1141.0/10 | 1 | tube                         |
| 5  | 0.015.3566.0    | 1 | valve                        |
| 9  | 2.6851.014.0    | 1 | clamp 130-150                |
| 10 | 2.6859.150.0    | 1 | clamp 95/118                 |
| 11 | 2.6851.004.0    | 1 | clamp Ø 32/50                |
| 12 | 2.0114.207.2    | 8 | screw m 8 p.1.25 x 20        |
| 13 | 2.1310.004.2    | 8 | flat washer 8.4x17           |
| 14 | 2.6851.005.0    | 1 | clamp Ø 40/60                |
| 15 | 0.016.2956.0    | 1 | plug                         |
| 16 | 2.6851.003.0    | 1 | clamp Ø 25/40                |
| 17 | 2.6839.087.0    | 1 | clamp                        |



K9\_AB381\_10\_0-A-001

**AIR FILTER**

| Fig. | P/n          | QTY | Name                        |
|------|--------------|-----|-----------------------------|
| 1    | 2.4249.733.0 | 1   | air filter                  |
| 2    | 0.900.0862.6 | 1   | external air filter element |
| 3    | 0.900.0793.8 | 1   | valve                       |
| 4    | 0.900.1456.2 | 1   | cover                       |
| 5    | 0.900.0272.4 | 12  | clip                        |
| 6    | 0.000.0000.1 | 1   | cannot be supplied          |
| 7    | 0.900.1602.6 | 1   | plate                       |
| 8    | 0.900.0272.2 | 1   | electric cable              |
| 10   | 0.900.0793.7 | 1   | internal air filter element |



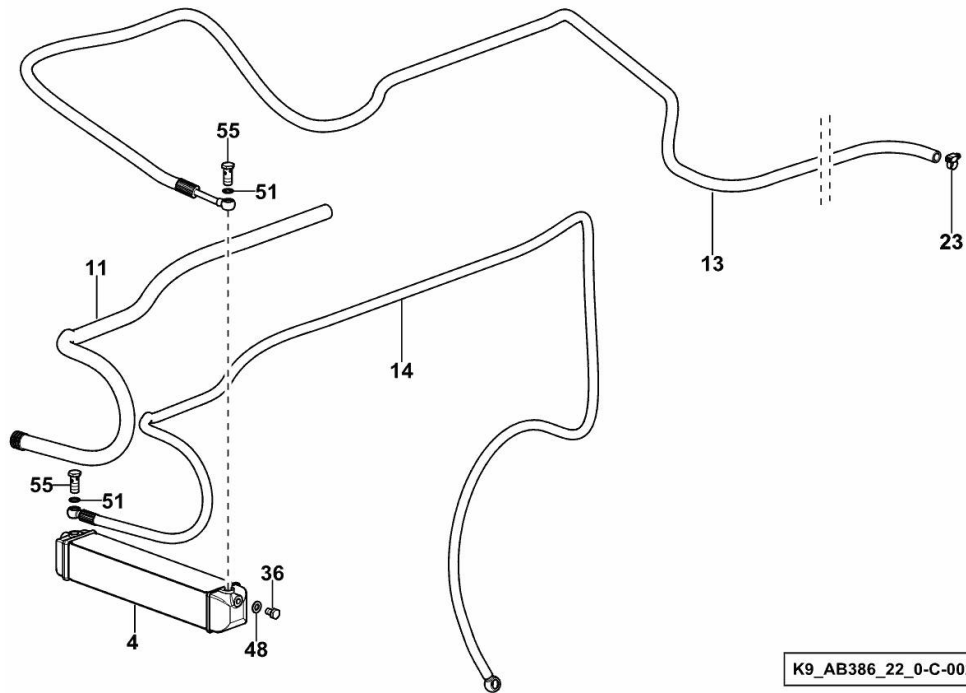
**FUEL COOLER**

| Fig. | P/n | QTY | Name |
|------|-----|-----|------|
|------|-----|-----|------|

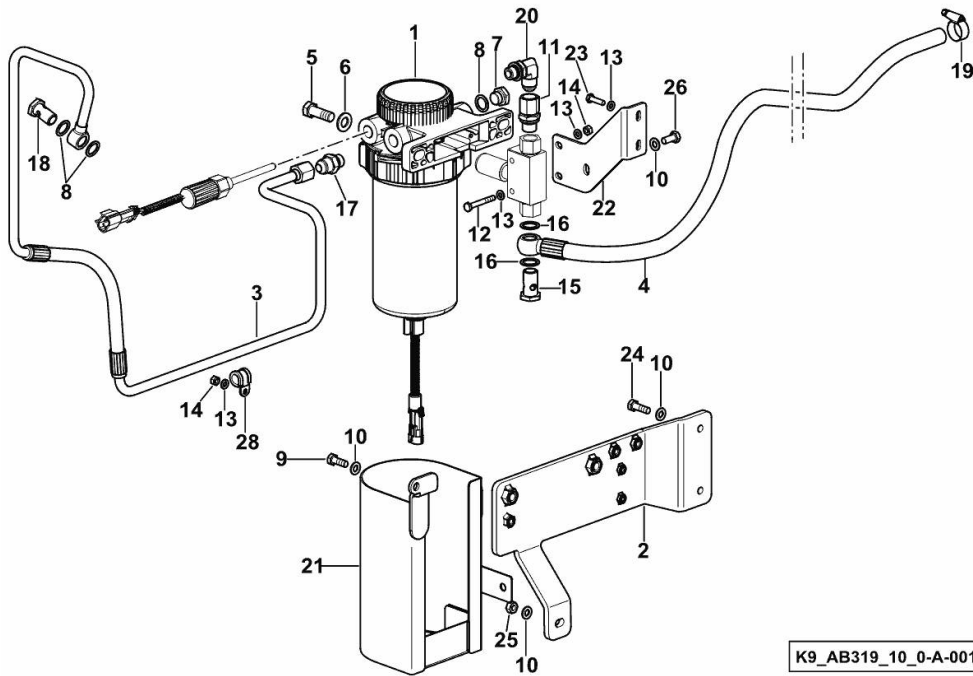
**Notes:**

[AUDAX 200]

|    |                 |   |                          |
|----|-----------------|---|--------------------------|
| 4  | 0.014.2839.4/20 | 1 | radiator                 |
| 11 | 0.019.6325.0    | 1 | tube                     |
| 13 | 0.020.3963.3    | 1 | tube                     |
| 14 | 0.020.3970.3    | 1 | tube                     |
| 23 | 01173965        | 1 | clamp 10-16/9 h3461      |
| 36 | 2.0112.305.2    | 2 | screw m 10 p.1.5 x 16    |
| 48 | 2.1310.006.2    | 4 | flat washer 10.5x21      |
| 51 | 2.1560.009.0    | 2 | gasket 14.2x18           |
| 55 | 2.3335.053.2    | 2 | pipe union m 14 p.1.5x32 |



**FUEL FEED PIPES AND PREFILTER**



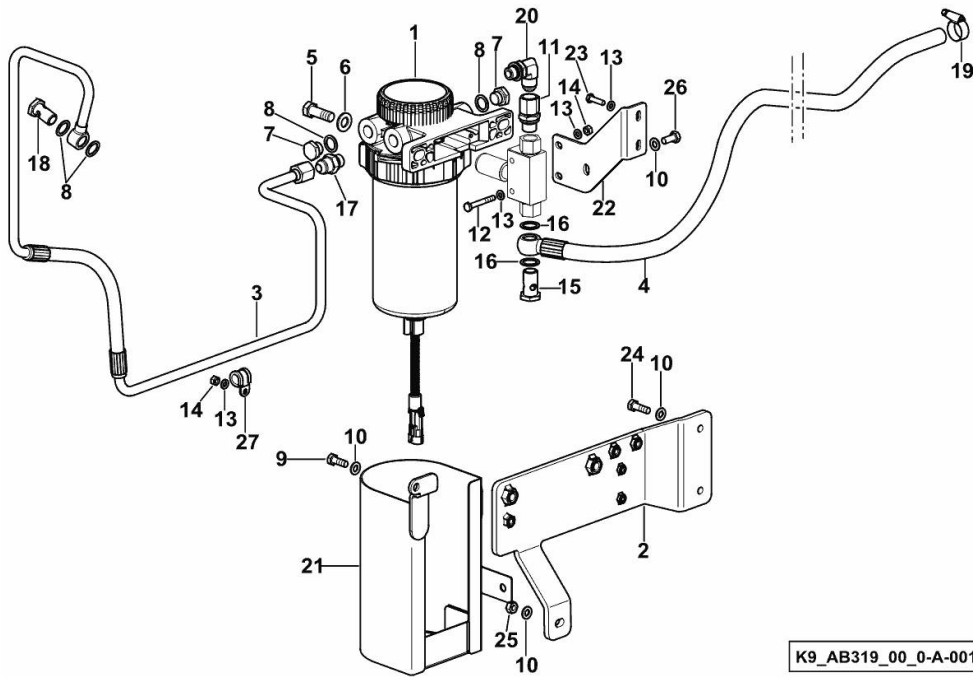
| Fig. | P/n | QTY | Name |
|------|-----|-----|------|
|------|-----|-----|------|

**Notes:**

- FOR COLD CLIMATES [AUDAX 200]

|    |                 |   |                                       |
|----|-----------------|---|---------------------------------------|
| 1  | 2.4319.300.0/20 | 1 | precleaner<br>☞ 2.4319.300.0/20       |
| 2  | 0.020.2425.3/10 | 1 | support                               |
| 3  | 0.020.2457.3    | 1 | tube                                  |
| 4  | 0.016.3336.3    | 1 | tube mm 1700                          |
| 5  | 2.0112.413.2    | 2 | screw m 12 p.1.75x35                  |
| 6  | 2.1310.007.2    | 2 | flat washer 13 x 24                   |
| 7  | 2.3110.404.2    | 1 | plug m 16 p.1.5                       |
| 8  | 2.1560.012.0    | 4 | gasket 16.2 x 22                      |
| 9  | 2.0112.208.2    | 1 | screw m 8 p.1.25 x 22                 |
| 10 | 2.1310.004.2    | 5 | flat washer 8.4x17                    |
| 11 | 2.3339.877.2    | 1 | pipe fitting m 18 p.1.5 3/4" - 16 JIC |
| 12 | 2.0112.017.2    | 2 | screw m 6 p.1x45                      |
| 13 | 2.1310.002.2    | 8 | flat washer 6.4x12.5                  |
| 14 | 2.1011.103.2    | 4 | nut m 6 p.1                           |
| 15 | 2.3335.008.2    | 1 | pipe union m 18 p.1.5 x 32            |
| 16 | 2.1560.014.0    | 2 | washer 18.2 x 24                      |
| 17 | 2.3249.227.2    | 1 | pipe fitting m 16 p.1.5-3/4"          |
| 18 | 2.3335.007.2    | 1 | pipe union m 16 p.1.5x28              |
| 19 | 2.6851.001.0    | 1 | clamp Ø 16/25                         |
| 20 | 2.3249.101.2    | 1 | pipe fitting m 16 p1.5                |
| 21 | 0.020.2741.3/10 | 1 | shield                                |
| 22 | 0.020.2438.0    | 1 | support                               |
| 23 | 2.0112.008.2    | 2 | screw m 6 p.1x22                      |
| 24 | 2.0112.209.2    | 2 | screw m 8 p 1.25 x 25                 |
| 25 | 2.1011.105.2    | 1 | nut m 8 p.1.25                        |
| 26 | 2.0112.206.2    | 1 | screw m 8 p.1.25 x 18                 |
| 28 | 2.6839.059.0    | 2 | clamp Ø 12 / 15                       |

**FUEL FEED PIPES AND PREFILTER**



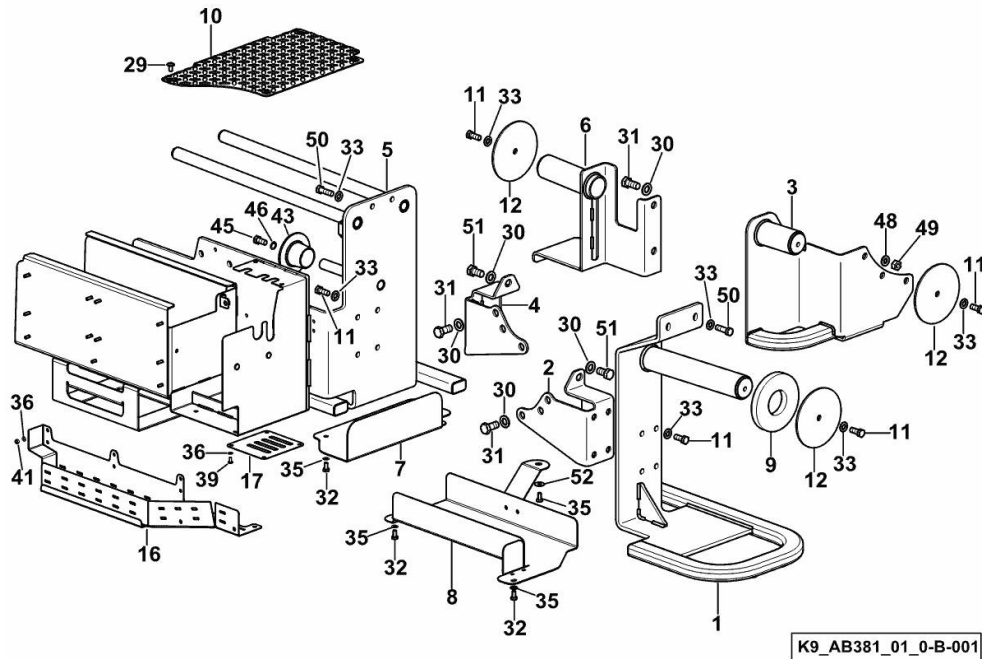
| Fig.          | P/n             | QTY | Name                                  |
|---------------|-----------------|-----|---------------------------------------|
| <b>Notes:</b> |                 |     |                                       |
| [AUDAX 200]   |                 |     |                                       |
| 1             | 2.4319.300.0/20 | 1   | precleaner<br>☞ 2.4319.300.0/20       |
| 2             | 0.020.2425.3/10 | 1   | support                               |
| 3             | 0.020.2457.3    | 1   | tube                                  |
| 4             | 0.016.3336.3    | 1   | tube mm 1700                          |
| 5             | 2.0112.413.2    | 2   | screw m 12 p.1.75x35                  |
| 6             | 2.1310.007.2    | 2   | flat washer 13 x 24                   |
| 7             | 2.3110.404.2    | 2   | plug m 16 p.1.5                       |
| 8             | 2.1560.012.0    | 4   | gasket 16.2 x 22                      |
| 9             | 2.0112.208.2    | 1   | screw m 8 p.1.25 x 22                 |
| 10            | 2.1310.004.2    | 5   | flat washer 8.4x17                    |
| 11            | 2.3339.877.2    | 1   | pipe fitting m 18 p.1.5 3/4" - 16 JIC |
| 12            | 2.0112.017.2    | 2   | screw m 6 p.1x45                      |
| 13            | 2.1310.002.2    | 8   | flat washer 6.4x12.5                  |
| 14            | 2.1011.103.2    | 4   | nut m 6 p.1                           |
| 15            | 2.3335.008.2    | 1   | pipe union m 18 p.1.5 x 32            |
| 16            | 2.1560.014.0    | 2   | washer 18.2 x 24                      |
| 17            | 2.3249.227.2    | 1   | pipe fitting m 16 p.1.5-3/4"          |
| 18            | 2.3335.007.2    | 1   | pipe union m 16 p.1.5x28              |
| 19            | 2.6851.001.0    | 1   | clamp Ø 16/25                         |
| 20            | 2.3249.101.2    | 1   | pipe fitting m 16 p1.5                |
| 21            | 0.020.2741.3/10 | 1   | shield                                |
| 22            | 0.020.2438.0    | 1   | support                               |
| 23            | 2.0112.008.2    | 2   | screw m 6 p.1x22                      |
| 24            | 2.0112.209.2    | 2   | screw m 8 p 1.25 x 25                 |
| 25            | 2.1011.105.2    | 1   | nut m 8 p.1.25                        |
| 26            | 2.0112.206.2    | 1   | screw m 8 p.1.25 x 18                 |
| 27            | 2.6839.059.0    | 2   | clamp Ø 12 / 15                       |

**TANK AND BATTERY SUPPORT SX/LH/LI - DX/RH/RE**

| Fig. | P/n | QTY | Name |
|------|-----|-----|------|
|------|-----|-----|------|

Notes:

[AUDAX 200]



|    |                 |    |                        |
|----|-----------------|----|------------------------|
| 1  | 0.020.3109.3/10 | 1  | tank support           |
| 2  | 0.020.3148.3/10 | 1  | bracket                |
| 3  | 0.020.3203.3/20 | 1  | tank support           |
| 4  | 0.020.3216.3/10 | 1  | bracket                |
| 5  | 0.020.3209.3    | 1  | support dx/rh/re       |
| 6  | 0.020.3222.3    | 1  | tank support dx/rh/re  |
| 7  | 0.020.3221.0    | 1  | guard dx/rh/re         |
| 8  | 0.020.3220.2/20 | 1  | guard                  |
| 9  | 0.020.1797.0/10 | 1  | spacer                 |
| 10 | 0.018.7968.0/10 | 1  | foot board             |
| 11 | 2.0112.411.2    | 11 | screw m 12 p.1.75 x 30 |
| 12 | 04413213        | 3  | washer                 |
| 16 | 0.018.9663.3    | 1  | shield dx/rh/re        |
| 17 | 0.018.4108.0/10 | 1  | guard                  |
| 29 | 2.0339.024.0/10 | 4  | screw m 8 x 16         |
| 30 | 2.1310.010.2    | 10 | flat washer 17x30      |
| 31 | 2.0112.613.2    | 8  | screw m 16 p.2x35      |
| 32 | 2.0114.205.2    | 8  | screw m 8 p.1.25 x 16  |
| 33 | 2.1310.007.2    | 15 | flat washer 13 x 24    |
| 35 | 2.1310.004.2    | 9  | flat washer 8.4x17     |
| 36 | 2.1310.002.2    | 18 | flat washer 6.4x12.5   |
| 39 | 2.0332.404.2    | 4  | screw m 6 p.1 x 12     |
| 41 | 2.1011.103.2    | 8  | nut m 6 p.1            |
| 43 | 0.018.1844.2    | 1  | bracket dx/rh/re       |
| 45 | 2.0112.409.2    | 1  | screw m 12 p.1.75 x 25 |
| 46 | 2.1474.011.2    | 1  | spring washer 12       |
| 48 | 2.1475.005.7    | 3  | washer 14              |
| 49 | 2.1011.408.2    | 3  | nut m 14 p.1.5         |
| 50 | 2.0112.415.2    | 4  | screw m 12 p.1.75 x 40 |
| 51 | 2.0112.611.2    | 2  | screw m 16 p.2x30      |
| 52 | 2.1312.004.2    | 1  | washer 8x24x2          |

**FASTENERS FOR TANKSUPPORTS**

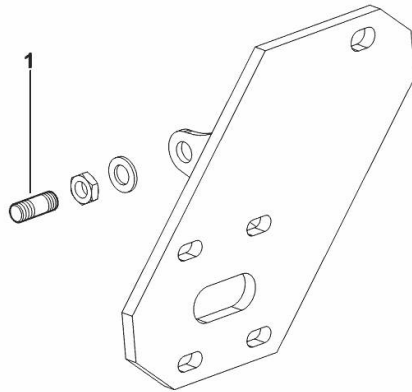
| Fig. | P/n | QTY | Name |
|------|-----|-----|------|
|------|-----|-----|------|

**Notes:**

[AUDAX 200]

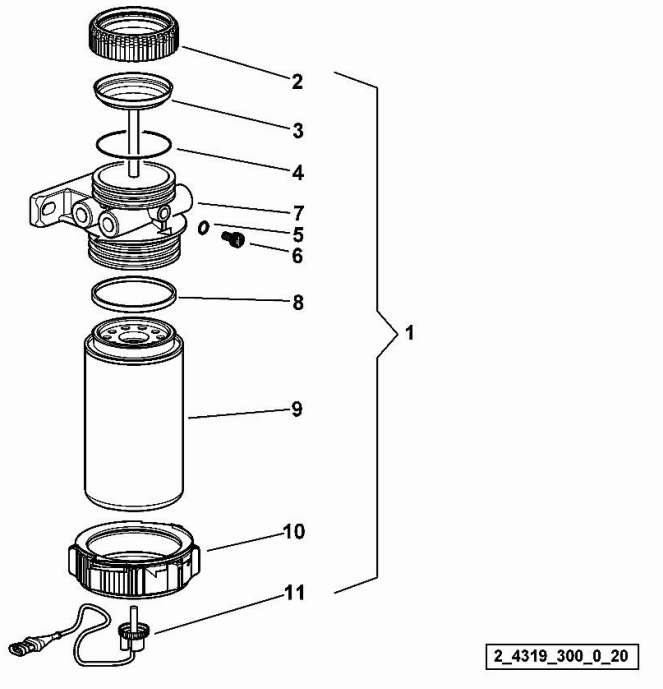
|   |              |   |                       |
|---|--------------|---|-----------------------|
| 1 | 2.0422.603.2 | 3 | stud bolt m 16 p.2x20 |
|---|--------------|---|-----------------------|

K9\_J5781\_06\_0-A-001



**PRE-FILTER - COMPONENTS**

| Fig. | P/n             | QTY | Name   |
|------|-----------------|-----|--|
| 1    | 2.4319.300.0/20 | 1   | precleaner<br>2, 3, 4, 5, 6, 7, 8, 9, 10, 11 |
| 2    | 0.900.0863.8    | 1   | crown wheel                                  |
| 3    | 0.000.0000.1    | 1   | cannot be supplied                           |
| 4    | 0.900.0863.9    | 1   | rubber ring                                  |
| 5    | 0.900.0789.8    | 1   | ring   |
| 6    | 0.900.0864.3    | 1   | screw  |
| 7    | 0.000.0000.1    | 1   | cannot be supplied                           |
| 8    | 0.900.0864.0    | 1   | dust guard                                   |
| 9    | 0.900.0511.9    | 1   | fuel filter element                          |
| 10   | 0.900.0864.1    | 1   | closure                                      |
| 11   | 0.900.0942.1    | 1   | clogging warning ind.                        |



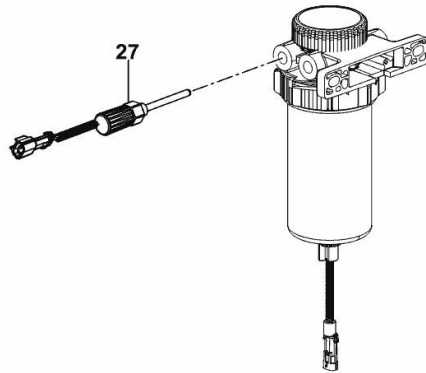
**FUEL HEATER**

| Fig. | P/n | QTY | Name |
|------|-----|-----|------|
|------|-----|-----|------|

**Notes:**

- FOR COLD CLIMATES [AUDAX 200]

|    |              |   |           |
|----|--------------|---|-----------|
| 27 | 2.4319.315.0 | 1 | glow plug |
|----|--------------|---|-----------|



K9\_AB319\_10\_0-B-001



**Suggest:**

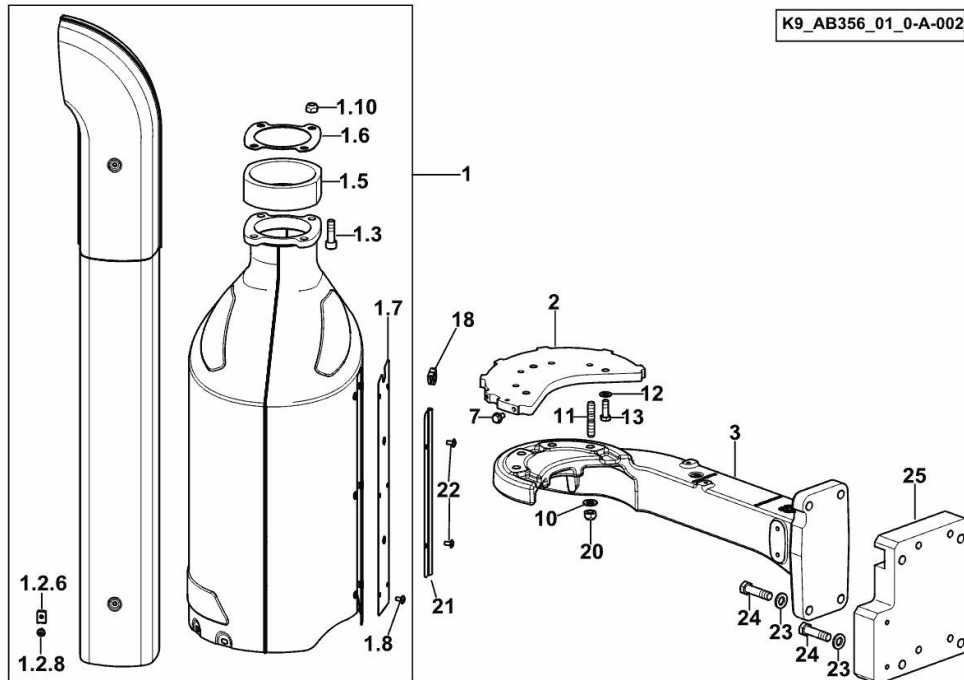
**For more complete manuals. Please go to the home page.**

**<https://www.ebooklibonline.com>**

**If the above button click is invalid. Please download this document first, and then click the above link to download the complete manual.**

**Thank you so much for reading**

**EXHAUST SILENCER**



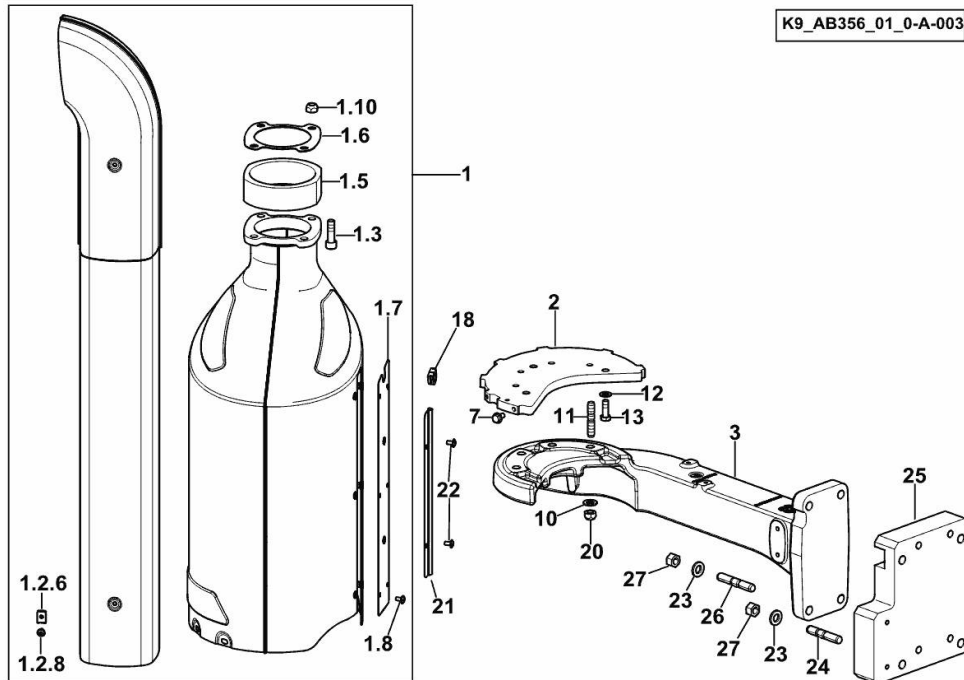
| Fig. | P/n | QTY | Name |
|------|-----|-----|------|
|------|-----|-----|------|

**Notes:**

[AUDAX 200] 50010 <-

|       |                 |   |                            |
|-------|-----------------|---|----------------------------|
| 1     | 0.018.4601.4/50 | 1 | guard                      |
| 1.2.6 | 2.6999.064.6    | 4 | special nut m 6            |
| 1.2.8 | 2.0339.030.0    | 4 | screw m 6 x 12             |
| 1.3   | 2.0312.414.2    | 4 | screw m 12 x 40            |
| 1.5   | 0.018.8019.0/20 | 1 | insulating material        |
| 1.6   | 0.021.2042.0    | 1 | gasket ( -> 50010 )        |
| 1.7   | 0.020.0424.3/10 | 1 | plate                      |
| 1.8   | 2.0339.030.0    | 6 | screw m 6 x 12             |
| 1.10  | 2.1121.008.2    | 4 | nut m 12                   |
| 2     | 0.018.3823.0/20 | 1 | plate                      |
| 3     | 0.018.3563.0/20 | 1 | bracket                    |
| 7     | 2.0339.024.0/10 | 7 | screw m 8 x 16             |
| 10    | 2.1310.007.2    | 4 | flat washer 13 x 24        |
| 11    | 2.0439.338.2/10 | 4 | stud bolt m 12 p.1.75 x 40 |
| 12    | 2.1310.006.2    | 3 | flat washer 10.5x21        |
| 13    | 2.0112.311.2    | 3 | screw m 10 p.1.5 x 30      |
| 18    | 2.6569.089.0    | 3 | grommet                    |
| 20    | 2.1121.008.2    | 4 | nut m 12                   |
| 21    | 0.020.8556.0    | 1 | guard                      |
| 22    | 2.0339.020.0/10 | 2 | screw m6x12                |
| 23    | 2.1475.205.7    | 8 | spring washer 15x35        |
| 24    | 2.0113.520.2    | 8 | screw m 14 p.2 x 55        |
| 25    | 0.020.2724.0    | 1 | plate                      |

**EXHAUST SILENCER**



| Fig. | P/n | QTY | Name |
|------|-----|-----|------|
|------|-----|-----|------|

**Notes:**

[AUDAX 200] -> 50011

|       |                 |   |                            |
|-------|-----------------|---|----------------------------|
| 1     | 0.018.4601.4/50 | 1 | guard                      |
| 1.2.6 | 2.6999.064.6    | 4 | special nut m 6            |
| 1.2.8 | 2.0339.030.0    | 4 | screw m 6 x 12             |
| 1.3   | 2.0312.414.2    | 4 | screw m 12 x 40            |
| 1.5   | 0.018.8019.0/20 | 1 | insulating material        |
| 1.6   | 0.021.2042.0    | 1 | gasket                     |
| 1.7   | 0.020.0424.3/10 | 1 | plate                      |
| 1.8   | 2.0339.030.0    | 6 | screw m 6 x 12             |
| 1.10  | 2.1121.008.2    | 4 | nut m 12                   |
| 2     | 0.018.3823.0/20 | 1 | plate                      |
| 3     | 0.018.3563.0/30 | 1 | bracket                    |
| 7     | 2.0139.045.0    | 7 | screw m 8 x 16             |
| 10    | 2.1310.007.2    | 4 | flat washer 13 x 24        |
| 11    | 2.0439.338.2/10 | 4 | stud bolt m 12 p.1.75 x 40 |
| 12    | 2.1310.006.2    | 3 | flat washer 10.5x21        |
| 13    | 2.0112.311.2    | 3 | screw m 10 p.1.5 x 30      |
| 18    | 2.6569.089.0    | 3 | grommet                    |
| 20    | 2.1121.008.2    | 4 | nut m 12                   |
| 21    | 0.020.8556.0    | 1 | guard                      |
| 22    | 2.0339.030.0    | 2 | screw m 6 x 12             |
| 23    | 2.1475.205.7    | 8 | spring washer 15x35        |
| 24    | 2.0443.315.2    | 4 | stud bolt                  |
| 25    | 0.020.2724.0    | 1 | plate                      |
| 26    | 2.0453.315.2    | 4 | stud bolt                  |
| 27    | 2.1012.408.2    | 8 | nut                        |

**<https://www.ebooklibonline.com>**

Hello dear friend!

Thank you very much for reading.

Enter the link into your browser.

The full manual is available for immediate download.

**<https://www.ebooklibonline.com>**