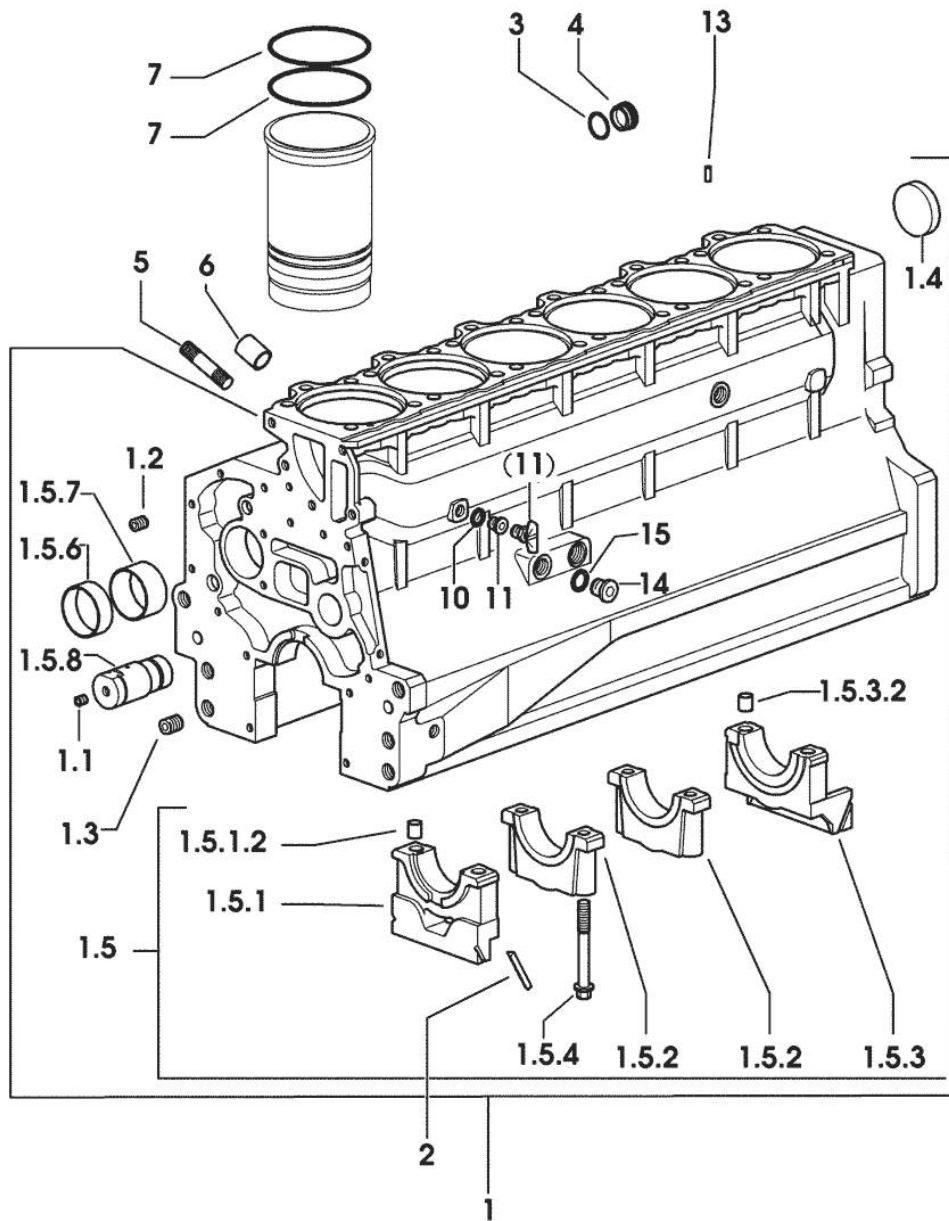


Section: ENGINE  
**CRANKCASE**



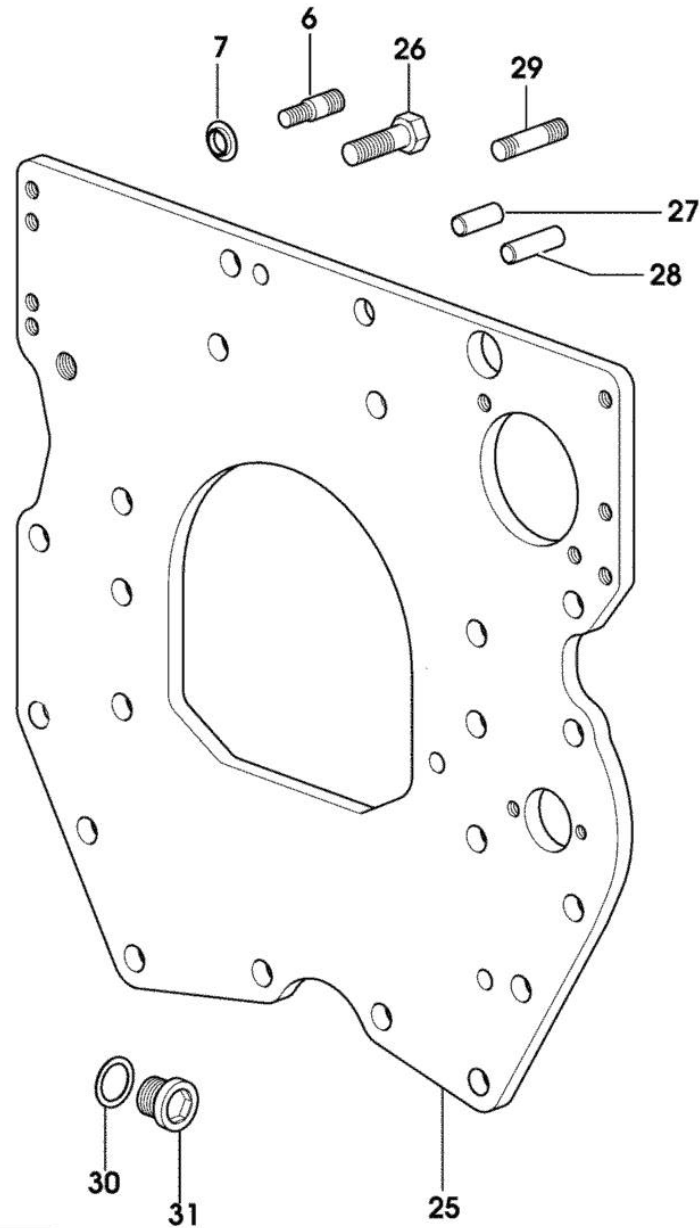
| Fig. | P/n | QTY | Name |
|------|-----|-----|------|
|------|-----|-----|------|

Notes:  
 [XT 911]

|         |                 |    |                                 |
|---------|-----------------|----|---------------------------------|
| 1       | 0.007.1102.6/20 | 1  | crankcase                       |
| 1.1     | 2.3130.001.1    | 14 | plug 1/8" gas                   |
| 1.2     | 2.3130.002.1    | 2  | plug 1/4" gas                   |
| 1.3     | 2.3130.003.1    | 8  | plug 3/8" gas                   |
| 1.4     | 2.3179.012.0    | 1  | plug 60                         |
| 1.5     | 0.000.0000.1    |    | cannot be supplied              |
| 1.5.1   | 0.065.1112.7    | 1  | support                         |
| 1.5.1.2 | 2.1699.165.0    | 1  | bush 12.3x15x16                 |
| 1.5.2   | 0.065.1114.0/10 | 5  | support                         |
| 1.5.3   | 0.007.0848.3/10 | 1  | support                         |
| 1.5.3.2 | 2.1699.165.0    | 1  | bush 12.3x15x16                 |
| 1.5.4   | 0.065.1117.0    | 14 | screw m 12 x 100                |
| 1.5.6   | 0.065.1140.0    | 6  | special bushing 59X55X20        |
| 1.5.7   | 0.065.1141.0    | 1  | special bushing 59X55X30        |
| 1.5.8   | 0.066.1151.0    | 1  | pin                             |
| 2       | 0.066.1152.0/10 | 4  | gasket                          |
| 3       | 2.1532.072.0    | 1  | oil seal 26.70x1.78             |
| 4       | 2.3199.405.2    | 1  | plug m 28 p.1.5                 |
| 5       | 2.0432.003.7    | 18 | stud bolt m 8 p.1.25 / p.1 x 20 |
| 6       | 2.1559.188.2    | 6  | bush 11.4 x 14 x16              |
| 7       | 2.1539.193.0    | 12 | special oil seal 107.62x2.62    |
| 10      | 2.1560.010.0    | 1  | gasket 14.2 x 20                |
| 11      | 2.3199.292.0    | 1  | plug 1/4" gas                   |
| 13      | 2.1549.154.2    | 6  | bush 4.8x5.8x16                 |
| 14      | 2.3120.101.0    | 1  | plug m 18 p.1.5                 |
| 15      | 2.1560.014.0    | 1  | washer 18.2 x 24                |

9\_33711\_00\_0\_0

**MONOBLOC ENGINE-GEARBOX CONNECTING FLANGE**



| Fig. | P/n | QTY | Name |
|------|-----|-----|------|
|------|-----|-----|------|

Notes:  
[XT 911]

|    |                 |   |                                   |
|----|-----------------|---|-----------------------------------|
| 6  | 2.0439.250.7    | 1 | stud bolt m 12 / m 10 x 30        |
| 7  | 0.011.9294.0/10 | 1 | bush                              |
| 25 | 0.012.8866.0    | 1 | flange                            |
| 26 | 2.0112.511.2    | 8 | screw m 14 p.2 x 30               |
| 27 | 2.1651.912.0    | 2 | cylindrical plug 12x28            |
| 28 | 2.1651.917.0    | 1 | cylindrical plug 12x40            |
| 29 | 2.0432.257.7    | 1 | stud bolt m 12 p.1.75 - 1.25 x 30 |
| 30 | 2.1560.017.0    | 1 | gasket 22.2 x 27                  |
| 31 | 2.3120.002.4    | 1 | plug m 22 x 1.5                   |

9\_33911\_02\_0\_0

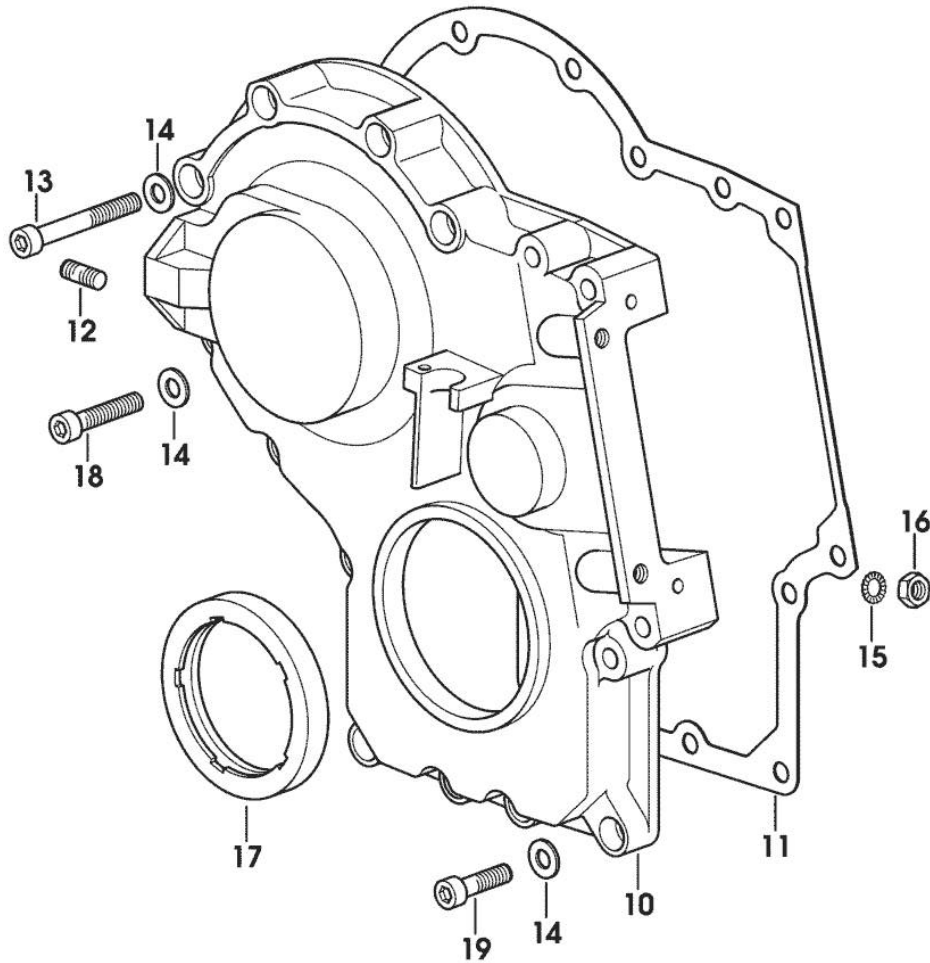
9\_33611\_01\_0\_0

Section: ENGINE  
TIMING CASE

| Fig. | P/n | QTY | Name |
|------|-----|-----|------|
|------|-----|-----|------|

Notes:  
[XT 911]

|    |                 |    |                                 |
|----|-----------------|----|---------------------------------|
| 10 | 0.013.4981.0    | 1  | guard                           |
| 11 | 0.065.1150.0/30 | 1  | gasket                          |
| 12 | 2.0432.003.7    | 2  | stud bolt m 8 p.1.25 / p.1 x 20 |
| 13 | 2.0312.219.2    | 4  | screw m 8 p.1.25x65             |
| 14 | 2.1480.014.1    | 15 | washer 8                        |
| 15 | 2.1470.004.2    | 4  | lock washer 8                   |
| 16 | 2.1011.405.2    | 2  | nut m 8 p.1                     |
| 17 | 2.1529.141.0    | 1  | special oil seal                |
| 18 | 2.0312.214.2    | 3  | screw m 8 p.1.25 x 40           |
| 19 | 2.0312.208.2    | 8  | screw m 8 p.1.25 x 25           |



**<https://www.ebooklibonline.com>**

Hello dear friend!

Thank you very much for reading.

Enter the link into your browser.

The full manual is available for immediate download.

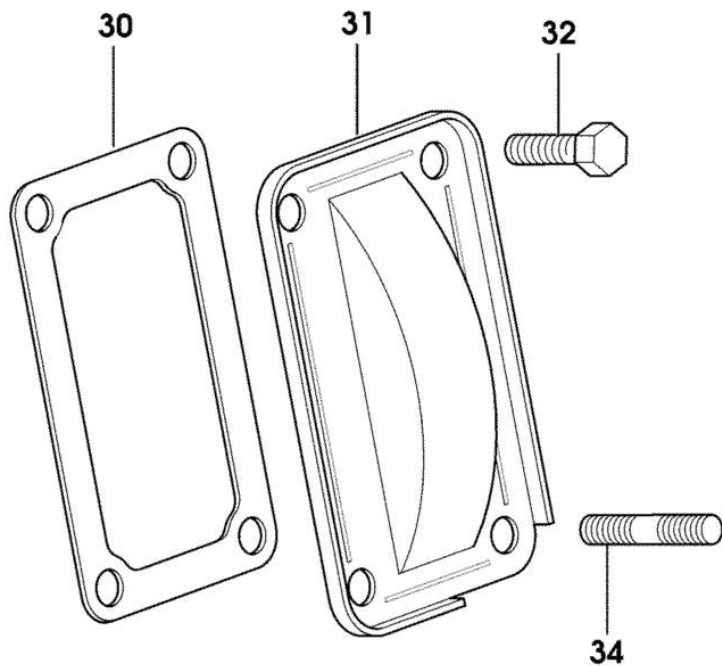
**<https://www.ebooklibonline.com>**

Section: ENGINE  
**CASING COVER**

| Fig. | P/n | QTY | Name |
|------|-----|-----|------|
|------|-----|-----|------|

Notes:  
 [XT 911]

|    |              |   |                                |
|----|--------------|---|--------------------------------|
| 30 | 0.065.1152.0 | 1 | gasket                         |
| 31 | 0.065.1151.0 | 1 | cover                          |
| 32 | 2.0112.205.2 | 2 | screw m 8 p.1.25 x 16          |
| 34 | 2.0432.005.7 | 2 | stud bolt m 8 p.1.5 / p.1 x 25 |



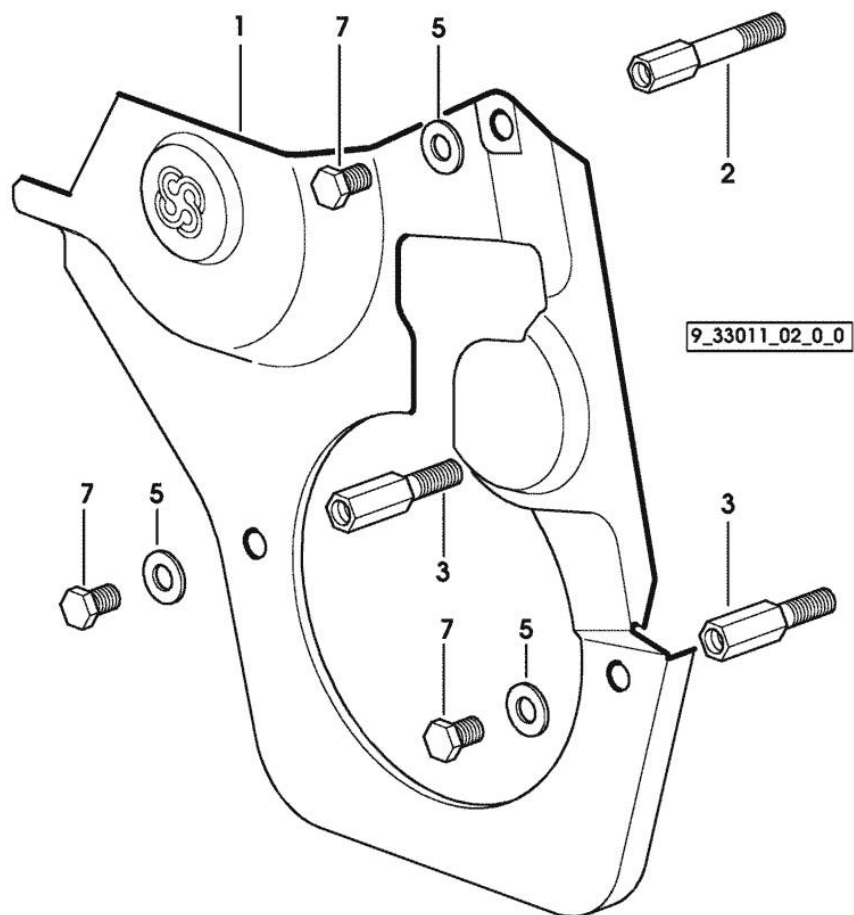
9\_33011\_04\_0\_0

**GUARD PLATE**

| Fig. | P/n | QTY | Name |
|------|-----|-----|------|
|------|-----|-----|------|

Notes:  
[XT 911]

|   |                 |   |                                     |
|---|-----------------|---|-------------------------------------|
| 1 | 0.007.1262.3/50 | 1 | guard                               |
| 2 | 0.007.1271.0/10 | 1 | small column m 8 p.1.25 / L = mm 60 |
| 3 | 0.007.1272.0/10 | 2 | small column m 8 p.1.25 / L = mm 50 |
| 5 | 2.1310.004.2    | 3 | flat washer 8.4x17                  |
| 7 | 2.0112.203.2    | 3 | screw m 8 p.1.25 x 12               |

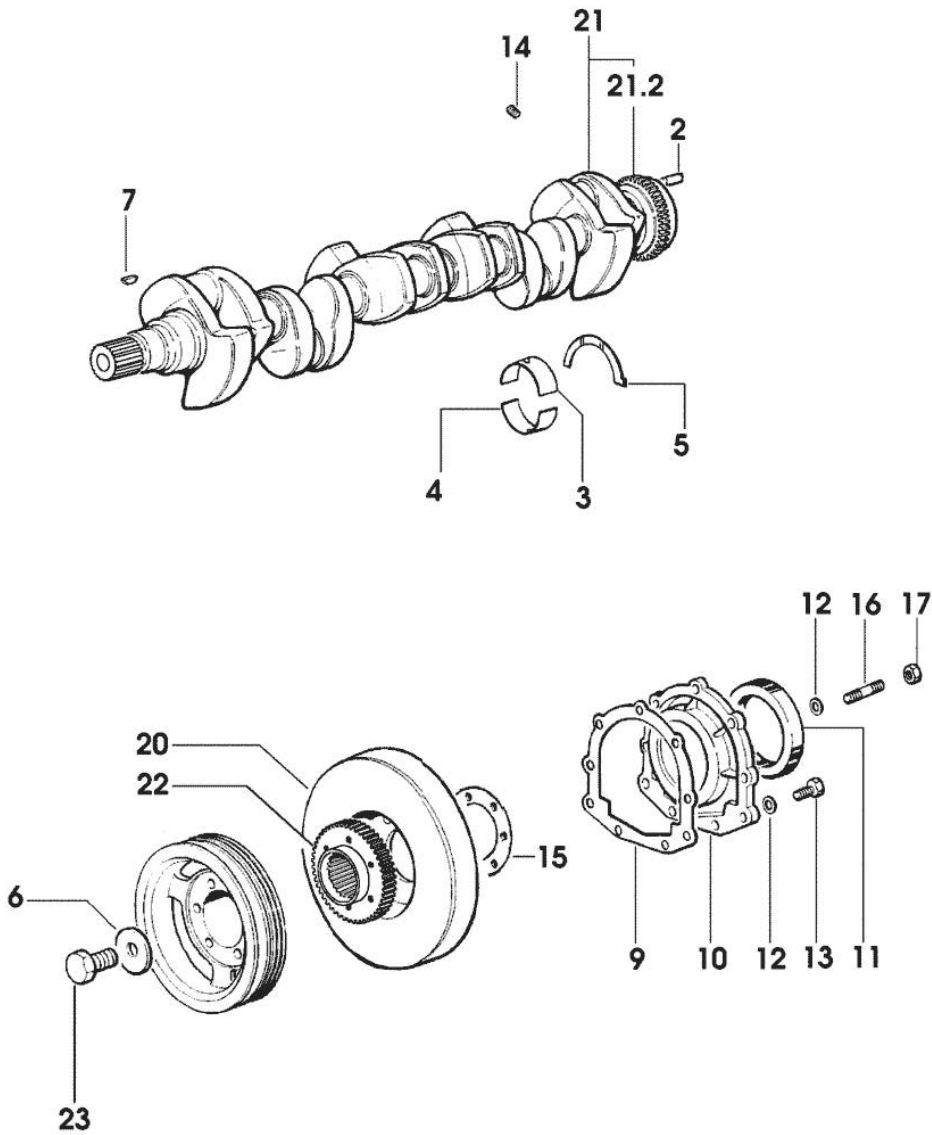


Section: ENGINE  
**CRANKSHAFT**

| Fig. | P/n | QTY | Name |
|------|-----|-----|------|
|------|-----|-----|------|

Notes:  
 [XT 911]

|      |                 |   |                                 |
|------|-----------------|---|---------------------------------|
| 2    | 2.1651.915.0    | 1 | pin 12x35                       |
| 3    | 0.065.1215.0    | 7 | main half bushing STANDARD      |
| 3    | 0.065.1215.7    |   | main half bushing - mm 0.25     |
| 3    | 0.065.1215.8    |   | main half bushing - mm 0.50     |
| 4    | 0.065.1216.0    | 7 | main half bushing               |
| 4    | 0.065.1216.7    |   | main half bushing - mm 0.25     |
| 4    | 0.065.1216.8    |   | main half bushing - mm 0.50     |
| 5    | 0.065.1218.0    | 4 | shim STANDARD                   |
| 5    | 0.065.1218.7    |   | shim + mm 0.10                  |
| 5    | 0.065.1218.8    |   | shim + mm 0.15                  |
| 6    | 2.1599.524.7    | 1 | washer 21x60x12                 |
| 7    | 2.1720.006.0    | 1 | key 4x6.5                       |
| 9    | 0.065.1254.0/20 | 1 | gasket                          |
| 10   | 0.007.0851.0/10 | 1 | cover                           |
| 11   | 2.1529.073.0    | 1 | special oil seal 110x130x13     |
| 12   | 2.1475.002.2    | 9 | conical washer 8                |
| 13   | 2.0112.207.2    | 7 | screw m 8 p 1.25 x 20           |
| 14   | 2.3130.001.1    | 6 | plug 1/8" gas                   |
| 15   | 2.1589.137.0    | 2 | shoulder ring 71x110x1          |
| 16   | 2.0432.003.7    | 2 | stud bolt m 8 p.1.25 / p.1 x 20 |
| 17   | 2.1011.105.2    | 2 | nut m 8 p.1.25                  |
| 20   | 0.009.3704.3    | 1 | antivibration pulley            |
| 21   | 0.010.4320.3/20 | 1 | crankshaft                      |
| 21.2 | 0.007.0855.0/10 | 1 | gear                            |
| 22   | 0.011.2206.0/10 | 1 | hub                             |
| 23   | 2.0399.144.7/10 | 1 | screw m 20 p.1.5x51             |



9\_37912\_00\_0\_0

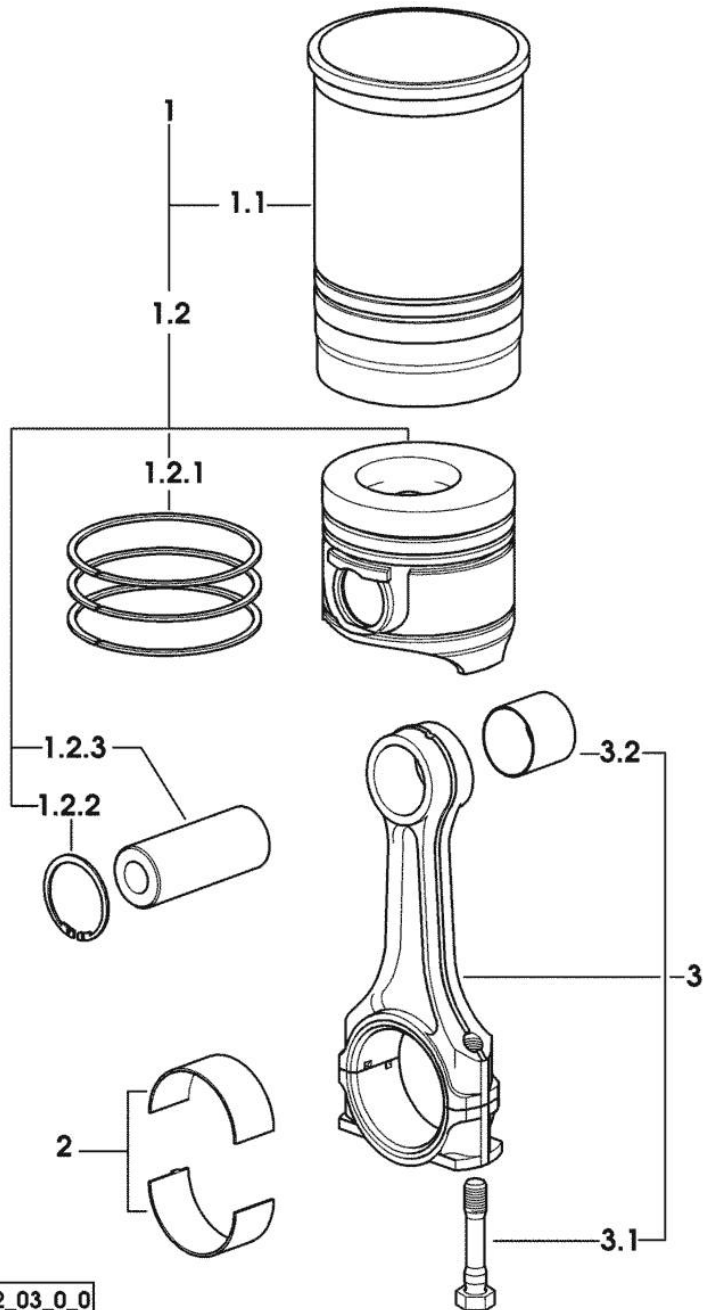
Section: ENGINE

**CYLINDER - PISTON - CONNECTING ROD**

| Fig. | P/n | QTY | Name |
|------|-----|-----|------|
|------|-----|-----|------|

Notes:  
[XT 911]

|       |                 |    |  |
|-------|-----------------|----|--|
| 1     | 0.386.0065.A    | 6  | cyl. piston assembly "A"<br>- CLASS A              |
| 1     | 0.386.0065.B    | 6  | cyl. piston assembly "B"<br>- CLASS B              |
| 1.1   | 0.A12.2675.0    | 1  | engine cylinder "A"<br>- CLASS A                   |
| 1.1   | 0.B12.2675.0    | 1  | engine cylinder "B"<br>- CLASS B                   |
| 1.2   | 0.379.0060.A    | 1  | complete piston "A"<br>- CLASS A                   |
| 1.2   | 0.379.0060.B    | 1  | complete piston "B"<br>- CLASS B                   |
| 1.2.1 | 0.086.0052.6/10 | 1  | piston ring set                                    |
| 1.2.2 | 2.1411.014.1    | 2  | circlip 35   |
| 1.2.3 | 0.078.1236.0    | 1  | piston pin Ø 18 / Ø 35 / L = mm 86                 |
| 2     | 0.065.1225.0    | 12 | con.rod half bushing STANDARD - A = 28.75 -> 29.00 |
| 2     | 0.065.1225.7    | 12 | con.rod half bushing - mm 0.25                     |
| 2     | 0.065.1225.8    | 12 | con.rod half bushing - mm 0.50                     |
| 3     | 0.078.1220.3/30 | 6  | engine connecting rod                              |
| 3.1   | 2.0399.213.0    | 2  | screw m 12 p.1.25x61.5                             |
| 3.2   | 2.1559.114.0/10 | 1  | special bushing                                    |



9\_37912\_03\_0\_0

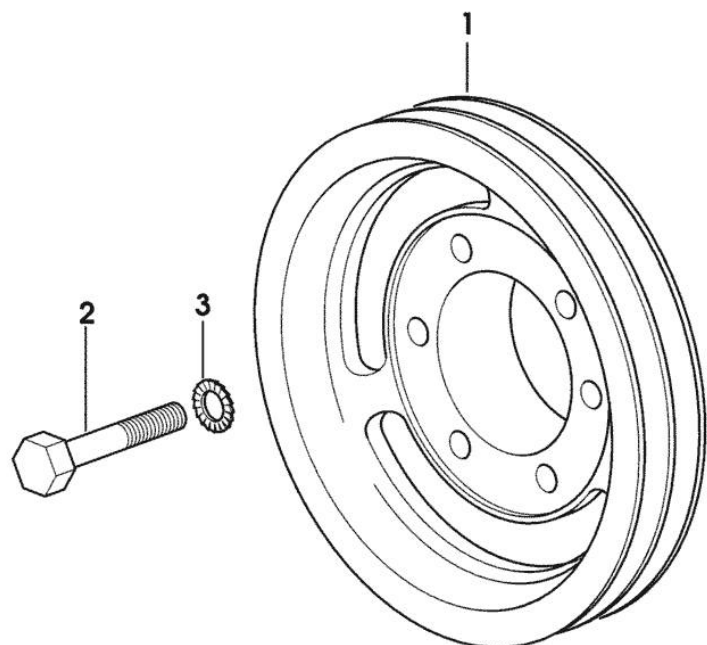
Section: ENGINE

**CRANKSHAFT PULLEY**

| Fig. | P/n | QTY | Name |
|------|-----|-----|------|
|------|-----|-----|------|

Notes:  
[XT 911]

|   |                 |   |                     |
|---|-----------------|---|---------------------|
| 1 | 0.007.0962.0/30 | 1 | pulley              |
| 2 | 2.0112.322.2    | 6 | screw m 10 p.1.5x65 |
| 3 | 2.1470.006.2    | 6 | lock washer 10      |



9\_33712\_01\_0\_0

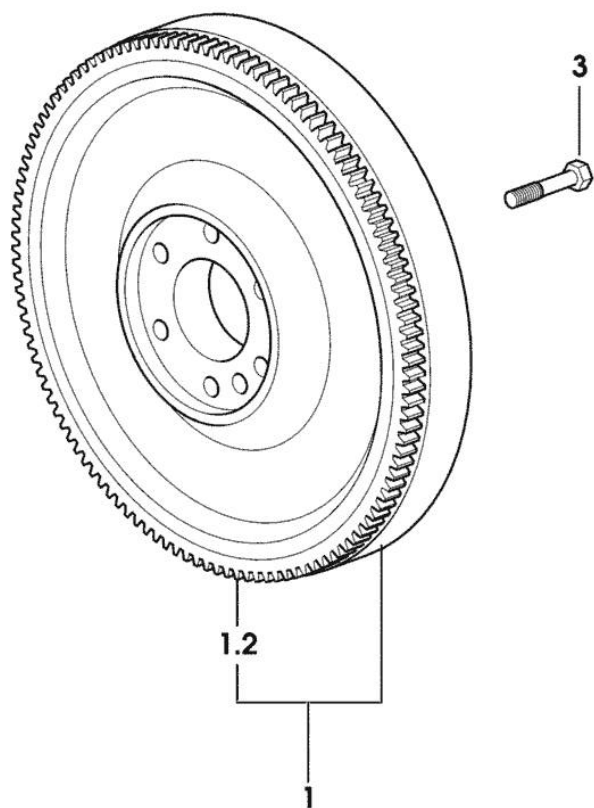
Section: ENGINE

**ENGINE FLYWHEEL**

| Fig. | P/n | QTY | Name |
|------|-----|-----|------|
|------|-----|-----|------|

Notes:  
[XT 911]

|     |                 |   |                      |
|-----|-----------------|---|----------------------|
| 1   | 0.012.4228.3/10 | 1 | flywheel             |
| 1.2 | 0.065.1242.0    | 1 | crown wheel Z = 123  |
| 3   | 2.0119.174.0/10 | 6 | screw m 12 p.1.25x45 |



9\_33912\_02\_0\_0



**Suggest:**

**For more complete manuals. Please go to the home page.**

**<https://www.ebooklibonline.com>**

**If the above button click is invalid. Please download this document first, and then click the above link to download the complete manual.**

**Thank you so much for reading**

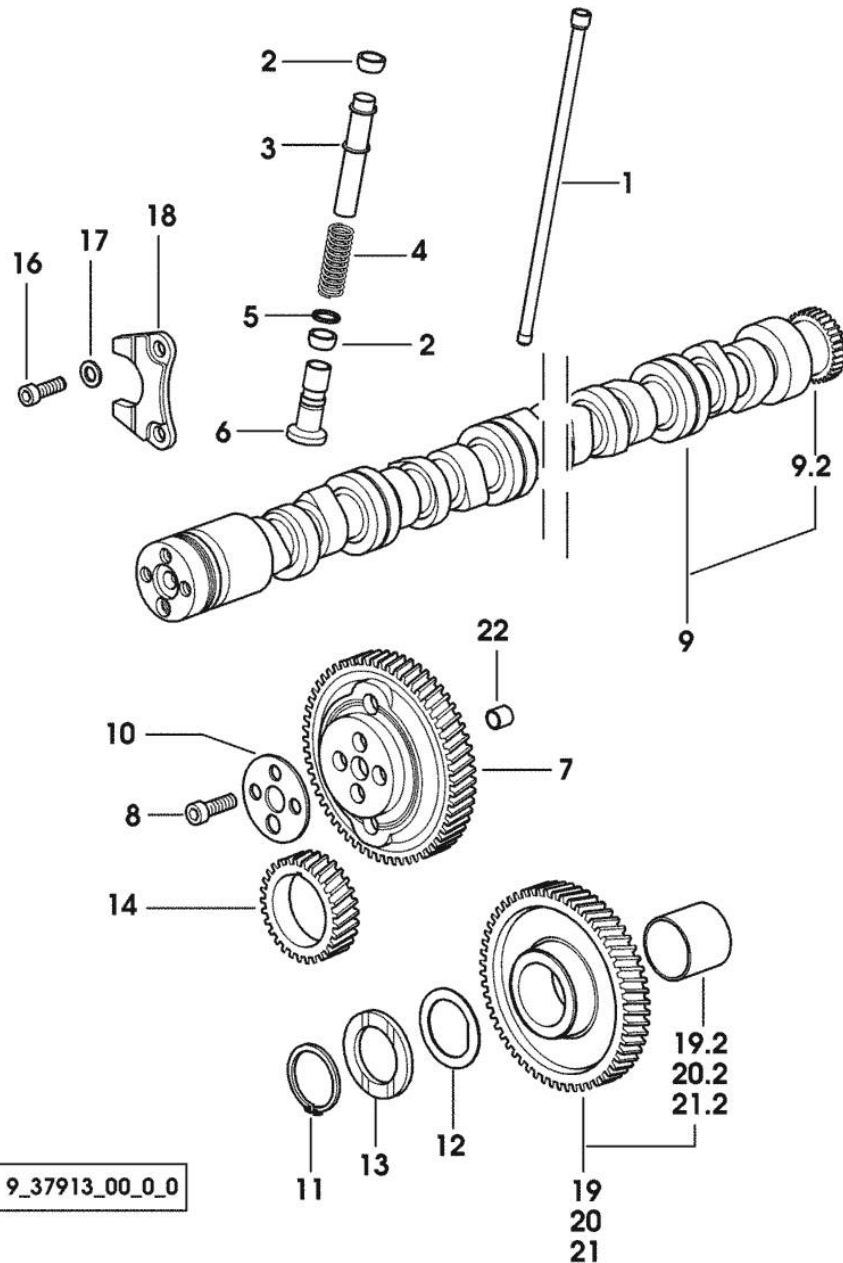
Section: ENGINE

**CAMSHAFT**

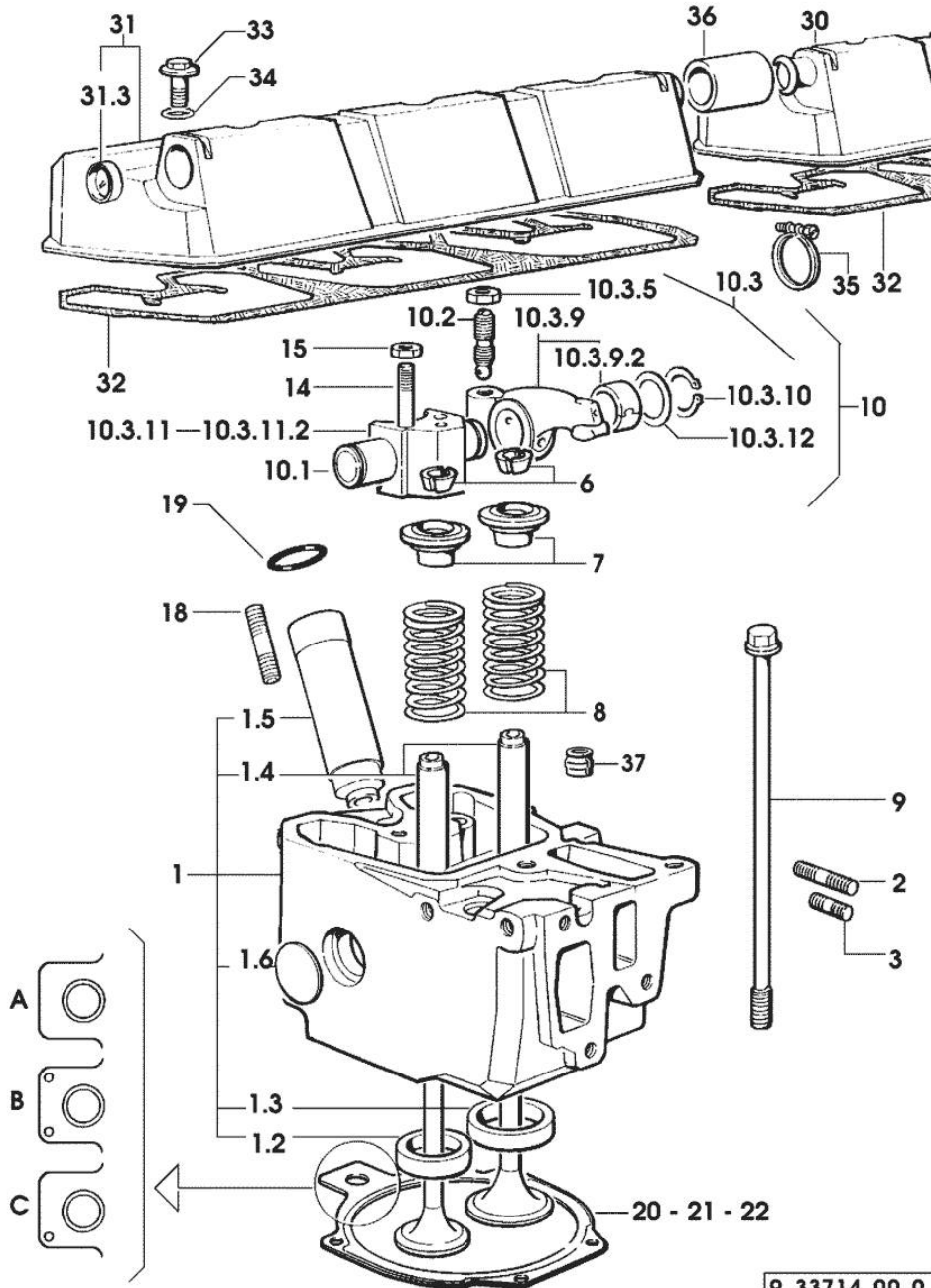
| Fig. | P/n | QTY | Name |
|------|-----|-----|------|
|------|-----|-----|------|

Notes:  
[XT 911]

|      |                 |    |   |
|------|-----------------|----|---|
| 1    | 0.065.1331.2    | 12 | rod   |
| 2    | 2.1569.114.0/10 | 24 | gasket 14x18.5x8                                  |
| 3    | 0.065.1332.0    | 12 | sleeve  |
| 4    | 2.4019.300.1/10 | 12 | spring 18.5x52x2                                  |
| 5    | 2.1599.437.0    | 12 | shoulder ring                                     |
| 6    | 0.065.1330.0    | 12 | tappets   |
| 7    | 0.065.1354.0/20 | 1  | gear z=58   |
| 8    | 2.0132.207.2    | 4  | screw m 10 p.1 x 25                               |
| 9    | 0.010.4968.3/10 | 1  | camshaft  |
| 9.2  | 0.065.1324.0/10 | 1  | gear Z = 32                                       |
| 10   | 0.065.1350.0    | 1  | small disc  |
| 11   | 2.1410.016.1    | 1  | circlip 40  |
| 12   | 0.065.1352.0    | 1  | shim  |
| 13   | 0.065.1351.0    | 2  | shoulder ring                                     |
| 14   | 0.007.1188.0/30 | 1  | gear Z = 29                                       |
| 16   | 2.0312.205.2    | 2  | screw   |
| 17   | 2.1480.014.1    | 2  | washer 8  |
| 18   | 0.065.1353.0    | 1  | small plate                                       |
| 19   | 0.007.1177.3/20 |    | gear z = 57<br>- WITH RED IDENTIFICATION STAMP    |
| 19.2 | 2.1559.185.0/10 | 1  | bushing   |
| 20   | 0.007.1178.3/20 |    | gear z = 57<br>- WITH YELLOW IDENTIFICATION STAMP |
| 20.2 | 2.1559.185.0/10 | 1  | bushing   |
| 21   | 0.007.1179.3/20 | 1  | gear z = 57<br>- WITH GREEN IDENTIFICATION STAMP  |
| 21.2 | 2.1559.185.0/10 | 1  | bushing   |
| 22   | 2.1559.398.0    | 1  | bushing 10.5x13x12                                |



Section: ENGINE  
CYLINDER HEAD



| Fig. | P/n | QTY | Name |
|------|-----|-----|------|
|------|-----|-----|------|

Notes:  
[XT 911]

|           |                 |    |                                    |
|-----------|-----------------|----|------------------------------------|
| 1         | 0.012.2693.3/10 | 6  | engine head                        |
| 1.2       | 0.078.1426.0    | 1  | valve seat                         |
| 1.3       | 0.066.1427.0    | 1  | valve seat                         |
| 1.4       | 0.007.1779.0/10 | 2  | valve guide                        |
| 1.5       | 0.010.6041.0    | 1  | bush                               |
| 1.6       | 2.3170.012.1    | 2  | expansion plug 30                  |
| 2         | 2.0432.011.7    | 6  | stud bolt m 8 p.1.25 / p.1 x 40    |
| 3         | 2.0432.005.7    | 6  | stud bolt m 8 p.1.5 / p.1 x 25     |
| 6         | 0.074.1423.0    | 24 | conical valve cotter               |
| 7         | 0.066.1425.0    | 12 | cup                                |
| 8         | 2.4019.287.0    | 12 | spring                             |
| 9         | 0.012.2673.0    | 24 | screw m 14 p.2x141                 |
| 10        | 0.000.0000.1    |    | cannot be supplied                 |
| 10.1      | 0.066.1431.0    | 1  | pin                                |
| 10.2      | 0.021.1434.0    | 2  | screw                              |
| 10.3      | 0.000.0000.1    |    | cannot be supplied                 |
| 10.3.5    | 2.1011.405.2    | 2  | nut m 8 p.1                        |
| 10.3.9    | 0.066.1432.3    | 2  | rocker arm                         |
| 10.3.9.2  | 2.1559.021.0/40 | 1  | bushing 15x19x22                   |
| 10.3.10   | 2.1410.055.7    | 2  | circlip 19                         |
| 10.3.11   | 0.000.0000.1    |    | cannot be supplied                 |
| 10.3.11.2 | 0.066.1430.0/10 | 1  | support                            |
| 10.3.12   | 2.1599.432.0    | 2  | shoulder ring                      |
| 14        | 2.0432.163.7    | 6  | stud bolt m 10 p.1.5 / p.1.25 x 45 |
| 15        | 2.1011.421.2    | 12 | nut m 10 p.1.25                    |
| 18        | 2.0432.161.7    | 6  | stud bolt m 10 p.1.5 / p.1.25 x 40 |
| 19        | 2.1530.051.0    | 6  | oil seal 20.22x3.53                |
| 20        | 0.078.1451.0/40 |    | head gasket -A-                    |
| 21        | 0.078.1452.0/30 |    | head gasket -B-                    |
| 22        | 0.078.1453.0/40 |    | head gasket -C-                    |
| 30        | 0.078.1450.3/10 | 1  | cover                              |
| 31        | 0.078.1440.3/10 | 1  | cover                              |
| 31.3      | 2.3171.008.4    | 1  | plug 20                            |
| 32        | 0.009.3877.0/10 | 2  | tappet gasket                      |
| 33        | 2.0399.288.2/10 | 6  | screw m 8x36x46                    |
| 34        | 2.1539.151.0    | 6  | special oil seal 9.19 x 2.62       |
| 35        | 2.6859.091.0    | 2  | clamp                              |
| 36        | 0.075.1452.0/10 | 1  | sleeve                             |
| 37        | 2.1519.117.0    | 12 | special oil seal                   |

**<https://www.ebooklibonline.com>**

Hello dear friend!

Thank you very much for reading.

Enter the link into your browser.

The full manual is available for immediate download.

**<https://www.ebooklibonline.com>**