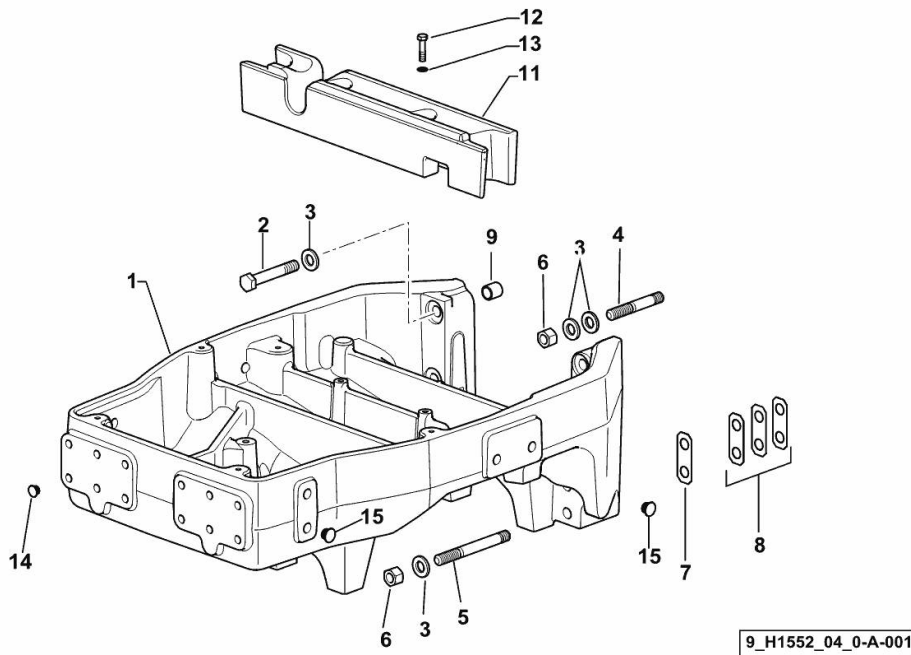


FRONT SUPPORT

| Fig. | P/n | QTY | Name |
|------|-----|-----|------|
|------|-----|-----|------|

Notes:
[XT 110 V-DRIVE]

| | | | |
|----|-----------------|----|----------------------------|
| 1 | 0.014.7954.0/30 | 1 | support |
| 2 | 2.0119.232.2 | 2 | screw m 16 p.2x98 |
| 3 | 2.1475.206.7 | 10 | washer 17x32 |
| 4 | 2.0443.423.7 | 2 | stud bolt m 16 p.1.5x90 |
| 5 | 2.0443.428.7 | 4 | stud bolt m 16 p.1.5 x 130 |
| 6 | 2.1012.309.7 | 6 | nut m 16 p.1.5 |
| 7 | 0.010.6375.0 | 2 | shim mm 0.1 |
| 8 | 0.010.6376.0 | 6 | shim mm 0.20 |
| 9 | 2.2680.047.0 | 2 | ring 17x22x23 |
| 11 | 0.014.9314.2 | 1 | gasket |
| 12 | 2.0112.213.2 | 2 | screw m 8 p.1.25 x 35 |
| 13 | 2.1470.004.2 | 2 | lock washer 8 |
| 14 | 2.3199.360.0 | 12 | plug m 14 p.2 |
| 15 | 2.3199.361.0 | 8 | plug m 18 p.2.5 |

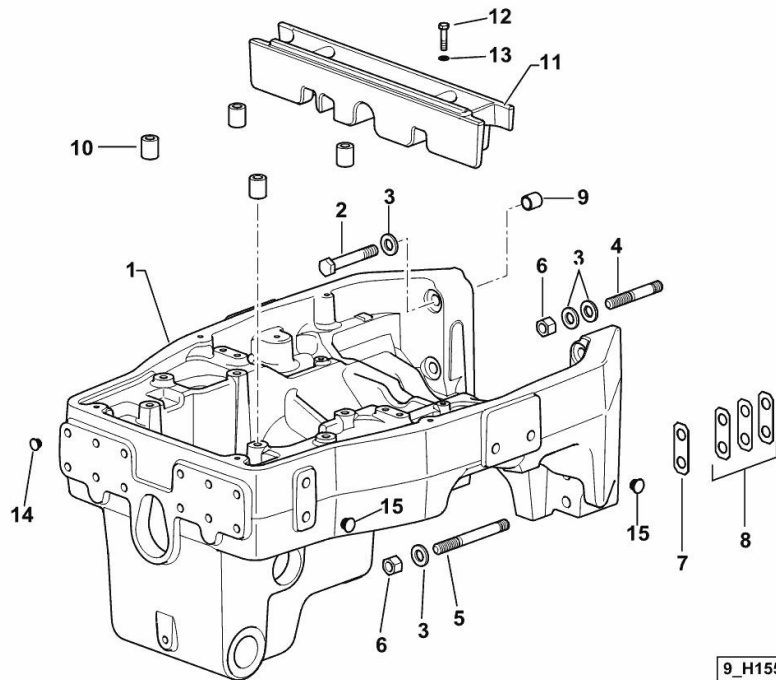


4WD - FRONT SUPPORT WITH FRONT PTO

| Fig. | P/n | QTY | Name |
|------|-----|-----|------|
|------|-----|-----|------|

Notes:
[XT 110 V-DRIVE]

| | | | |
|----|-----------------|----|----------------------------|
| 1 | 0.014.7955.0/50 | 1 | support |
| 2 | 2.0119.232.2 | 2 | screw m 16 p.2x98 |
| 3 | 2.1475.206.7 | 8 | washer 17x32 |
| 4 | 2.0443.423.7 | 2 | stud bolt m 16 p.1.5x90 |
| 5 | 2.0443.428.7 | 4 | stud bolt m 16 p.1.5 x 130 |
| 6 | 2.1012.309.7 | 6 | nut m 16 p.1.5 |
| 7 | 0.010.6375.0 | 2 | shim mm 0.1 |
| 8 | 0.010.6376.0 | 6 | shim mm 0.20 |
| 9 | 2.2680.047.0 | 2 | ring 17x22x23 |
| 10 | 2.1579.820.2 | 4 | spacer 13x25x30 |
| 11 | 0.014.9315.2/10 | 1 | gasket |
| 12 | 2.0112.213.2 | 2 | screw m 8 p.1.25 x 35 |
| 13 | 2.1470.004.2 | 2 | lock washer 8 |
| 14 | 2.3199.360.0 | 12 | plug m 14 p.2 |
| 15 | 2.3199.361.0 | 8 | plug m 18 p.2.5 |



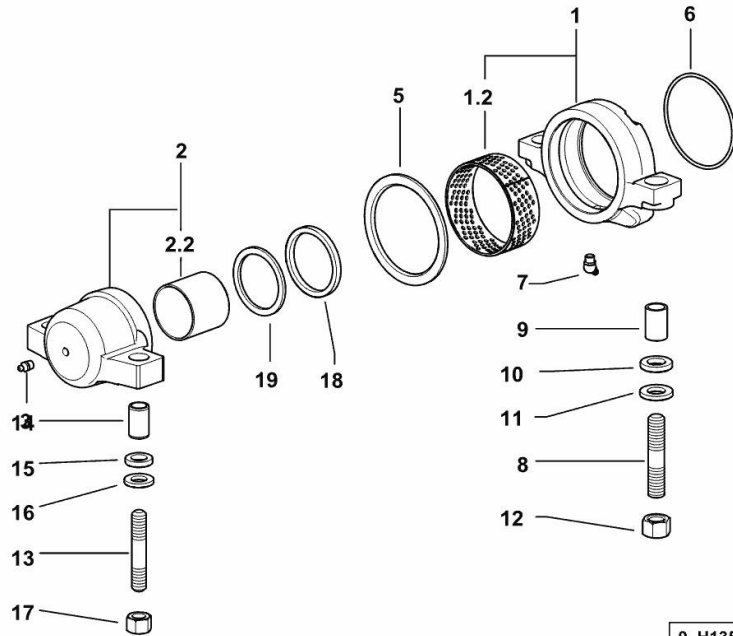
9_H1552_02_0-A-001

Section: F0 - FRONT AXLE
4WD - FRONT SUPPORT

| Fig. | P/n | QTY | Name |
|------|-----|-----|------|
|------|-----|-----|------|

Notes:
 [XT 110 V-DRIVE]

| | | | |
|-----|-----------------|---|----------------------------|
| 1 | 0.146.5233.3/40 | 1 | support |
| 1.2 | 2.1559.455.0 | 1 | special bushing 100x106x40 |
| 2 | 0.010.4723.3/50 | 1 | support |
| 2.2 | 2.1559.456.0 | 1 | special bushing |
| 3 | 2.3820.105.2 | 1 | grease gun m 10 p.1 x 7 |
| 5 | 2.1599.004.0 | 1 | shoulder ring 101x125x4 |
| 6 | 2.1530.205.0 | 1 | oil seal 101.2x5.34 |
| 7 | 2.3821.103.2 | 1 | grease gun m 10 p.1x10 |
| 8 | 2.0439.174.7 | 2 | stud bolt m 18 p.1.5x70 |
| 9 | 2.1559.010.0 | 2 | special bushing 18.5x24x35 |
| 10 | 2.1599.030.2 | 2 | shoulder ring 19x35x6 |
| 11 | 2.1475.107.2 | 2 | washer 19.4x36 |
| 12 | 2.1019.060.2 | 2 | special nut m 18 p.1.5 |
| 13 | 2.0433.419.7 | 2 | stud bolt m 16 p.2-1.5x70 |
| 14 | 2.1559.030.0 | 2 | special bushing 16.5x22x35 |
| 15 | 2.1599.029.2 | 2 | washer 17x30x6 |
| 16 | 2.1475.206.2 | 2 | spring washer 16 |
| 17 | 2.1012.309.2 | 2 | nut |
| 18 | 2.1535.028.0 | 1 | oil seal 67x11 |
| 19 | 2.1599.825.0 | 1 | shoulder ring 63x77x4 |



9_H1352_03_0-A-001

<https://www.ebooklibonline.com>

Hello dear friend!

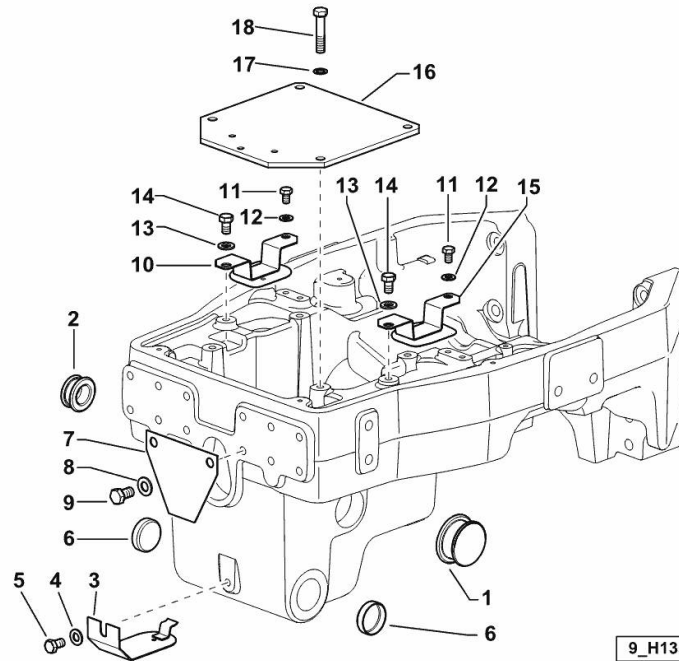
Thank you very much for reading.

Enter the link into your browser.

The full manual is available for immediate download.

<https://www.ebooklibonline.com>

PROVISION FOR FRONT PTO MOUNTING

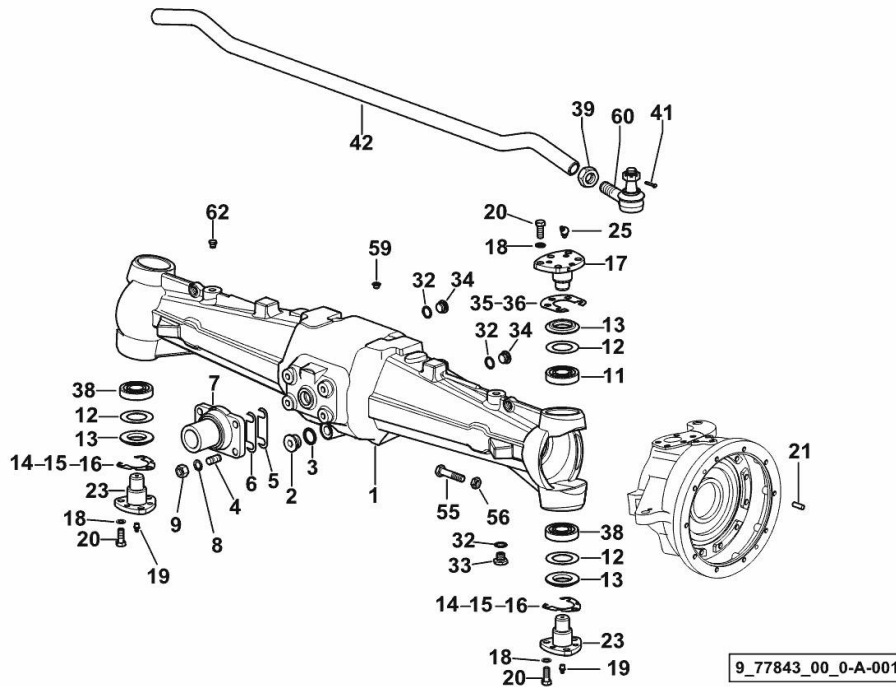


9_H1352_06_0-A-001

| Fig. | P/n | QTY | Name |
|------|-----------------|-----|------------------------|
| 1 | 0.011.0754.0 | 1 | plug 60 |
| 2 | 0.010.4072.0 | 1 | plug 40 |
| 3 | 0.011.0753.2/20 | 1 | plug |
| 4 | 2.1310.007.2 | 1 | flat washer 13 x 24 |
| 5 | 2.0112.407.2 | 1 | screw m 12 p.1.75 x 20 |
| 6 | 2.3171.019.4 | 2 | plug 50 |
| 7 | 0.010.4129.0/20 | 1 | plate |
| 8 | 2.1310.009.2 | 2 | flat washer 15x20 |
| 9 | 2.0112.509.2 | 2 | screw m 14 p.1.5x25 |
| 10 | 0.011.2616.2/20 | 1 | shield dx/rh/re |
| 11 | 2.1310.006.2 | 2 | flat washer 10.5x21 |
| 12 | 2.0112.305.2 | 2 | screw m 10 p.1.5 x 16 |
| 13 | 2.1310.007.2 | 2 | flat washer 13 x 24 |
| 14 | 2.0112.407.2 | 2 | screw m 12 p.1.75 x 20 |
| 15 | 0.011.2615.2/20 | 1 | shield sx/lh/li |
| 16 | 0.015.1911.0/20 | 1 | plate |
| 17 | 2.1470.007.2 | 4 | lock washer 12 |
| 18 | 2.0112.421.2 | 4 | screw m 12 p.1.75 x 60 |

Notes:
[XT 110 V-DRIVE]

4WD - FRONT DRIVE AXLE



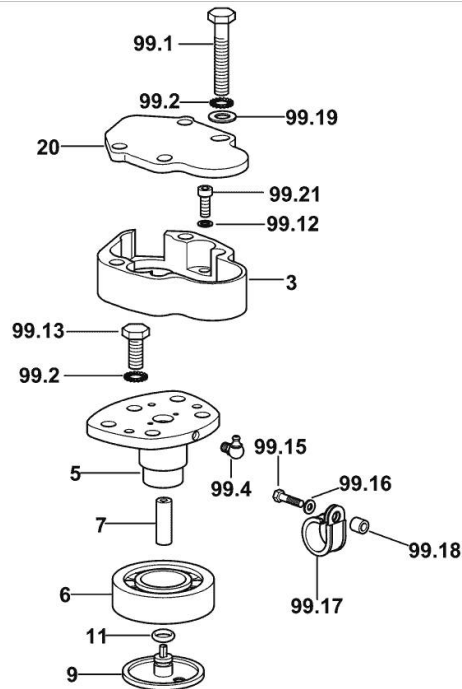
| Fig. | P/n | QTY | Name |
|------------------|-----------------|-----|------------------------------------|
| Notes: | | | |
| [XT 110 V-DRIVE] | | | |
| 1 | 0.010.6083.0/60 | 1 | front axle |
| 2 | 2.3199.021.2 | 1 | plug 1/2 gas |
| 3 | 2.1560.054.0 | 1 | gasket 21 x 26 |
| 4 | 2.0433.309.7 | 4 | stud bolt m 14 p.1.5x35 |
| 5 | 2.1379.004.0/10 | 4 | small plate 15x15x62x1.5 |
| 6 | 2.1379.003.0/10 | 4 | small plate 15x15x62x0.12 |
| 7 | 0.010.4724.0/20 | 1 | pin |
| 8 | 2.1475.005.2 | 4 | washer 14 |
| 9 | 2.1011.308.2 | 4 | nut m 14 p.1.5 |
| 11 | 2.2530.007.0 | 1 | roller bearing iso 30 kb 03 |
| 12 | 2.1599.260.0 | 4 | shoulder ring 43x71x1 |
| 13 | 2.1519.045.0 | 4 | special oil seal 41x73x9 |
| 14 | 0.463.4351.0 | 8 | shim mm 0.50 |
| 15 | 0.463.4350.0 | 8 | shim mm 0.20 |
| 16 | 0.463.4352.0 | 8 | shim mm 0.15 |
| 17 | 0.255.4335.0/10 | 1 | pin |
| 18 | 2.1470.007.2 | 9 | lock washer 12 |
| 19 | 2.3820.105.2 | 2 | grease gun m 10 p.1 x 7 |
| 20 | 2.0112.411.2 | 9 | screw m 12 p.1.75 x 30 |
| 21 | 2.1651.811.0 | 4 | cylindrical plug 10x24 |
| 23 | 0.169.4337.0/10 | 2 | pin |
| 25 | 2.3821.102.2 | 1 | grease gun m 8 p.1 x 8 |
| 32 | 2.1560.054.0 | 5 | gasket 21 x 26 |
| 33 | 2.3199.021.2 | 2 | plug 1/2 gas |
| 34 | 2.3199.001.2 | 3 | plug 1/2" gas |
| 35 | 2.1589.124.0 | 8 | shoulder ring mm 0.20 |
| 36 | 2.1589.126.0 | 8 | shoulder ring mm 0.15 |
| 38 | 2.2550.007.0 | 2 | roller bearing 30x72x28.75 |
| 39 | 2.1099.020.1 | 2 | special nut m 24 p.1.5 |
| 41 | 2.1690.412.2 | 2 | split pin 4 x 30 |
| 42 | 0.010.5537.0/10 | 1 | rod |
| 55 | 2.0119.213.2 | 4 | screw m 14 p.2 x 60 |
| 56 | 2.1011.208.2 | 4 | nut m 14 p.2 |
| 59 | 2.3199.386.0 | 5 | plug Ø 11 |
| 60 | 0.010.0488.4/10 | 2 | joint |
| 62 | 2.3199.125.0 | 1 | ⚙ 0.010.0488.4/10 plug 1/8" gas |

STEERING SENSOR SUPPORT SBA/ASM

| Fig. | P/n | QTY | Name |
|------|-----|-----|------|
|------|-----|-----|------|

Notes:
[XT 110 V-DRIVE]

| | | | |
|-------|-----------------|---|----------------------------|
| 3 | 0.010.4627.0/10 | 1 | guard |
| 5 | 0.011.2308.0/10 | 1 | pin |
| 6 | 2.2520.008.0 | 1 | roller bearing 35x72x18,25 |
| 7 | 0.010.0008.2 | 1 | joint |
| 9 | 0.011.2252.0 | 1 | cap-washer |
| 11 | 2.1530.024.0 | 1 | oil seal 10.78 x 2.62 |
| 20 | 0.010.4355.0/10 | 1 | cover |
| 99.1 | 2.0112.423.2 | 4 | screw m 12 p.1.75 x 70 |
| 99.2 | 2.1470.007.2 | 5 | lock washer 12 |
| 99.4 | 2.3821.102.2 | 1 | grease gun m 8 p.1 x 8 |
| 99.12 | 2.1470.004.2 | 2 | lock washer 8 |
| 99.13 | 2.0112.411.2 | 1 | screw m 12 p.1.75 x 30 |
| 99.15 | 2.0112.009.2 | 1 | screw m 6 p.1 x 25 |
| 99.16 | 2.1470.002.2 | 1 | lock washer 6 |
| 99.17 | 2.6839.066.0/10 | 1 | clamp 16 |
| 99.18 | 2.1549.341.2 | 1 | spacer 6.5x11x11 |
| 99.19 | 2.1310.007.2 | 2 | flat washer 13 x 24 |
| 99.21 | 2.0312.206.2 | 2 | screw m 8 p 1.25 x 20 |



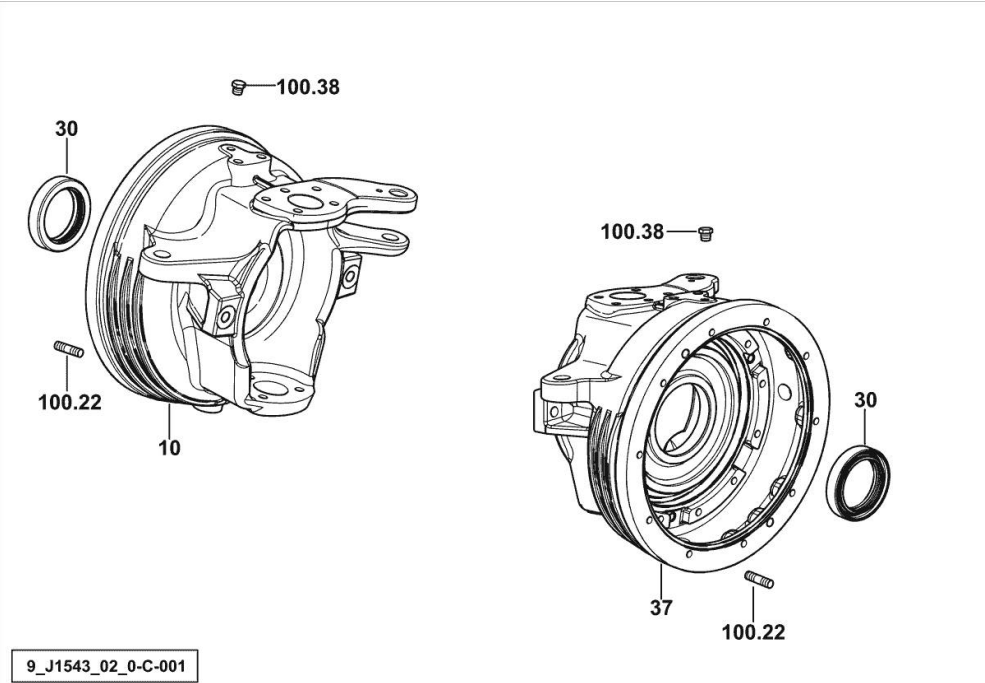
9_77843_01_0-A-001

4WD - FRONT AXLE FORKS FOR TYPES WITH BRAKES

| Fig. | P/n | QTY | Name |
|------|-----|-----|------|
|------|-----|-----|------|

Notes:
[XT 110 V-DRIVE]

| | | | |
|--------|-----------------|----|-----------------------------|
| 10 | 0.016.3302.0/10 | 1 | fork dx/rh/re |
| 30 | 2.1529.134.0 | 2 | special oil seal 65x90x17.5 |
| 37 | 0.016.3301.0/10 | 1 | fork sx/lh/li |
| 100.22 | 2.0433.155.7 | 20 | stud bolt m 10 p.1.25 x 25 |
| 100.38 | 2.3199.125.0 | 2 | plug 1/8" gas |



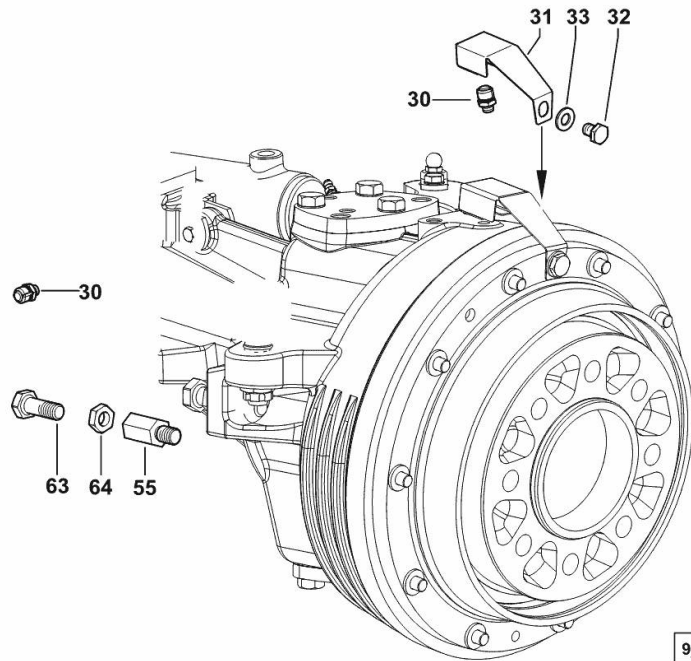
9_J1543_02_0-C-001

AIR BREATHER AND STEERING STOP - 4WD

| Fig. | P/n | QTY | Name |
|------|-----|-----|------|
|------|-----|-----|------|

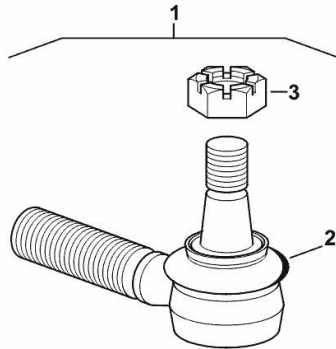
Notes:
[XT 110 V-DRIVE]

| | | | |
|----|-----------------|---|---------------------|
| 30 | 0.135.4363.3/10 | 3 | valve |
| 31 | 0.270.4355.0 | 2 | guard |
| 32 | 2.0112.304.2 | 2 | screw m 10 p.1.5x14 |
| 33 | 2.1310.006.2 | 2 | flat washer 10.5x21 |
| 55 | 0.010.8798.0 | 2 | spacer |
| 63 | 2.0119.228.2 | 2 | screw m 14 p.2 x 40 |
| 64 | 2.1011.208.2 | 2 | nut m 14 p.2 |



STEERING ROD - MECH. STEERING - TELESCOPIC AXLE

| Fig. | P/n | QTY | Name |
|------|-----------------|-----|-------|
| 1 | 0.010.0488.4/10 | 1 | joint |
| 2 | 0.900.0025.7 | 1 | guard |
| 3 | 0.900.0025.8 | 1 | nut |



0_010_0488_4_10

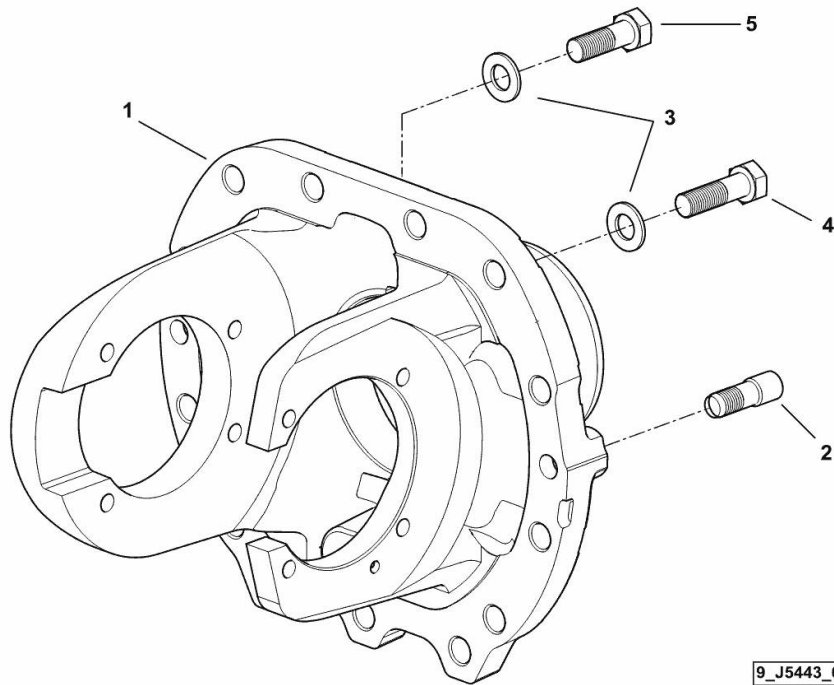
4WD - FLANGE

| Fig. | P/n | QTY | Name |
|------|-----|-----|------|
|------|-----|-----|------|

Notes:

[XT 110 V-DRIVE]

| | | | |
|---|--------------|----|------------------------|
| 1 | 0.015.0554.0 | 1 | flange |
| 2 | 2.1699.434.0 | 2 | pin m 14 p.1.5 x 16 |
| 3 | 2.1475.004.2 | 13 | spring washer 12 |
| 4 | 2.0113.415.2 | 9 | screw m 12 p.1.75 x 40 |
| 5 | 2.0113.413.2 | 4 | screw m 12 p.1.75x35 |



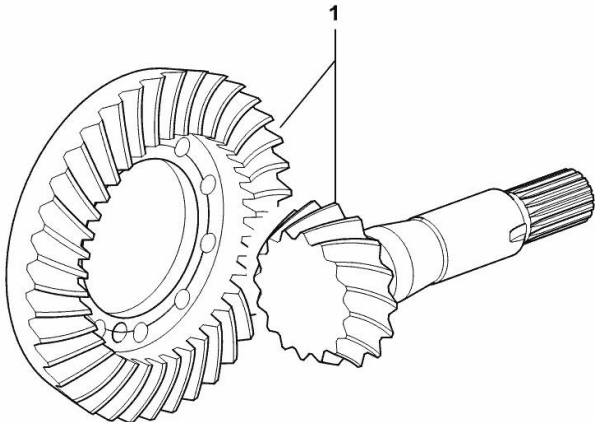
9_J5443_01_0-A-001

4WD - BEVEL WHEEL GEAR

| Fig. | P/n | QTY | Name |
|------|-----|-----|------|
|------|-----|-----|------|

Notes:
[XT 110 V-DRIVE]

| | | | |
|---|-----------------|---|-----------------------|
| 1 | 0.015.0324.3/10 | 1 | bevel drive z=19 z=43 |
|---|-----------------|---|-----------------------|



9_J5446_02_0-A-001

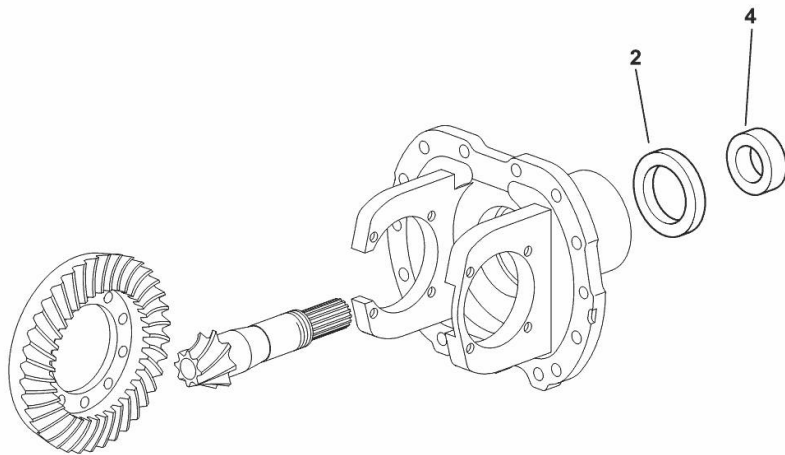
DIFFERENTIAL SEAL RINGS

| Fig. | P/n | QTY | Name |
|------|-----|-----|------|
|------|-----|-----|------|

Notes:

[XT 110 V-DRIVE]

| | | | |
|---|-----------------|---|-------------------------------|
| 2 | 2.1529.007.0/10 | 1 | special oil seal 58 x 80 x 13 |
| 4 | 0.255.4650.0 | 1 | spacer 35 x 58 x 19 |



9_62346_01_0-A-001

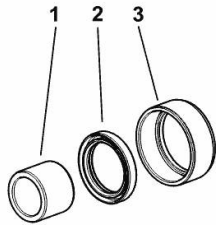
4WD - STANDARD SEALING

| Fig. | P/n | QTY | Name |
|------|-----|-----|------|
|------|-----|-----|------|

Notes:

[XT 110 V-DRIVE]

| | | | |
|---|--------------|---|------------------|
| 1 | 2.1559.453.0 | 1 | bushing 30x40x31 |
| 2 | 2.1520.120.0 | 1 | oil seal 40x55x8 |
| 3 | 0.013.8711.0 | 1 | special bushing |



9_J5426_01_0-A-001



Suggest:

For more complete manuals. Please go to the home page.

<https://www.ebooklibonline.com>

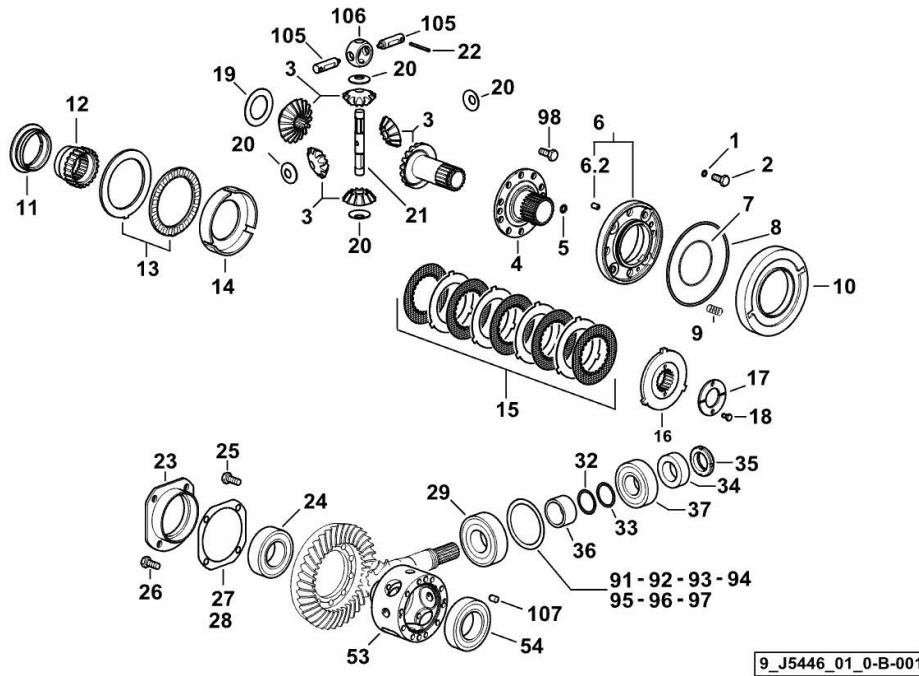
If the above button click is invalid. Please download this document first, and then click the above link to download the complete manual.

Thank you so much for reading

4WD - FRONT DIFFERENTIAL

| Fig. | P/n | QTY | Name |
|------|-----|-----|------|
|------|-----|-----|------|

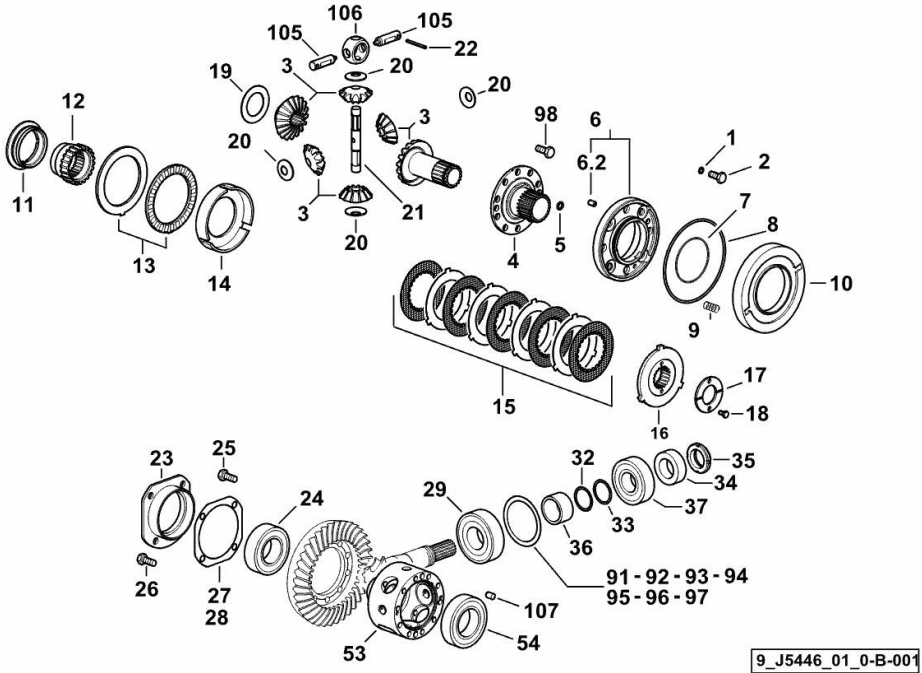
Notes:
[XT 110 V-DRIVE]



| | | | |
|-----|-----------------|-----|--------------------------------|
| 1 | 2.1532.014.0 | 4 | oil seal 7.65 x 1.78 |
| 2 | 2.0119.199.2 | 4 | screw 7/8"-9UCX88.9 |
| 3 | 0.013.6073.3/20 | 1 | planet gear |
| 4 | 0.009.7642.0/50 | 1 | flange |
| 5 | 2.1530.018.0 | 1 | oil seal 9.19 x 2.62 |
| 6 | 0.015.6526.3 | 1 | flange |
| 6.2 | 2.1699.250.0/20 | 1 | pin 8 x 12 |
| 7 | 2.1539.171.0 | 1 | special oil seal 75.87 x 2.62 |
| 8 | 2.1532.246.0 | 1 | oil seal 142.47x3.53 |
| 9 | 2.4019.614.1 | 4 | spring |
| 10 | 0.009.7630.0/40 | 1 | piston |
| 11 | 0.009.7635.0/40 | 1 | ring nut m72x1.5x85x21 |
| 12 | 0.009.7632.0/30 | 1 | hub |
| 13 | 2.2999.335.0/10 | 1 | special bearing 90x5 |
| 14 | 0.009.7637.0/10 | 1 | box |
| 15 | 0.010.4526.3 | 1 | hydraulic PTO clutch kpl. |
| 16 | 0.009.7631.0/10 | 1 | hub |
| 17 | 0.009.7634.0/10 | 2 | slewing ring |
| 18 | 2.0312.102.2 | 2 | screw m 6 p.1 x 12 |
| 19 | 2.1599.431.0 | 1 | shoulder ring 42x66x2 |
| 20 | 0.255.4629.0 | 4 | shoulder ring 15.5x36x2 |
| 21 | 0.013.6067.0 | 1 | pin |
| 22 | 2.1631.418.0 | 2 | pin 5 x 45 |
| 23 | 0.255.4652.0/20 | 1 | flange |
| 24 | 2.2540.005.0 | 1 | roller bearing 45 x 85 x 24.75 |
| 25 | 2.0139.025.1 | 10 | screw m 10 p.1.25 x 25 |
| 26 | 2.0132.207.2 | 4 | screw m 10 p.1 x 25 |
| 27 | 0.146.4654.0/10 | 4 | shim 96x127x0.5 |
| 28 | 0.146.4653.0/10 | 4 | shim 96x127x0.2 |
| 29 | 2.2560.006.0 | 1 | roller bearing 40 x 90 x 25.25 |
| 32 | 2.1580.101.0 | 2 | shim 36 x 43 x 0.2 |
| 33 | 2.1580.102.0 | 3 | shim 36 x 43 x 0.5 |
| 34 | 0.255.4650.0 | 1 | spacer 35 x 58 x 19 |
| 35 | 2.1214.008.7 | 1 | ring nut 35 md |
| 36 | 0.010.1045.0 | 1 | spacer mm 37 |
| 37 | 2.2560.005.0 | 1 | roller bearing 35 x 80 x 22.75 |
| 53 | 0.013.6062.0/40 | 1 | differential carrier |
| 54 | 2.2999.315.0 | 1 | special bearing |
| 91 | 2.1589.356.0 | 1 | shoulder ring 73x89.5x0.6 |
| 92 | 2.1589.357.0 | 0.3 | shoulder ring 73x89.5x0.7 |
| 93 | 2.1589.358.0 | 0.3 | shoulder ring 73x89.5x0.8 |

4WD - FRONT DIFFERENTIAL

| Fig. | P/n | QTY | Name |
|------|--------------|-----|----------------------------|
| 94 | 2.1589.359.0 | 0.3 | shoulder ring 73x89.5x0.9 |
| 95 | 2.1589.360.0 | 0.3 | shoulder ring 73x89.5x1.65 |
| 96 | 2.1589.361.0 | 0.3 | shoulder ring 73x89.5x1.75 |
| 97 | 2.1589.362.0 | 0.3 | shoulder ring 73x89.5x1.85 |
| 98 | 2.0139.002.1 | 10 | screw m 10 p.1.25 x 20 |
| 105 | 0.013.6068.0 | 2 | pin |
| 106 | 0.013.6070.0 | 1 | ring |
| 107 | 2.1659.523.0 | 4 | pin 10 x 16 |



<https://www.ebooklibonline.com>

Hello dear friend!

Thank you very much for reading.

Enter the link into your browser.

The full manual is available for immediate download.

<https://www.ebooklibonline.com>