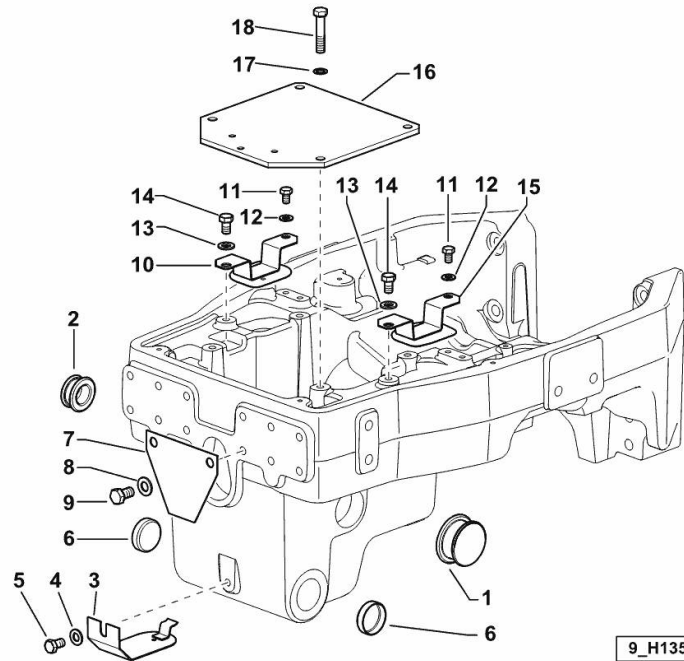


**PROVISION FOR FRONT PTO MOUNTING**

Fig.	P/n	QTY	Name
------	-----	-----	------

Notes:  
[XT 100 V-DRIVE]

1	0.011.0754.0	1	plug 60
2	0.010.4072.0	1	plug 40
3	0.011.0753.2/20	1	plug
4	2.1310.007.2	1	flat washer 13 x 24
5	2.0112.407.2	1	screw m 12 p.1.75 x 20
6	2.3171.019.4	2	plug 50
7	0.010.4129.0/20	1	plate
8	2.1310.009.2	2	flat washer 15x20
9	2.0112.509.2	2	screw m 14 p.1.5x25
10	0.011.2616.2/20	1	shield dx/rh/re
11	2.1310.006.2	2	flat washer 10.5x21
12	2.0112.305.2	2	screw m 10 p.1.5 x 16
13	2.1310.007.2	2	flat washer 13 x 24
14	2.0112.407.2	2	screw m 12 p.1.75 x 20
15	0.011.2615.2/20	1	shield sx/lh/li
16	0.015.1911.0/20	1	plate
17	2.1470.007.2	4	lock washer 12
18	2.0112.421.2	4	screw m 12 p.1.75 x 60



9\_H1352\_06\_0-A-001

**4WD - FRONT DRIVE AXLE**

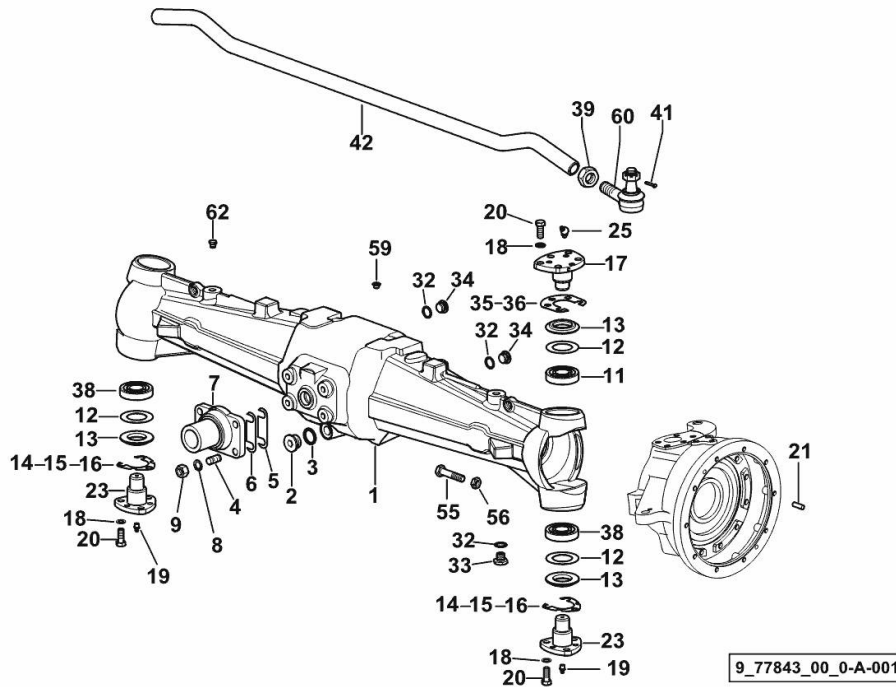


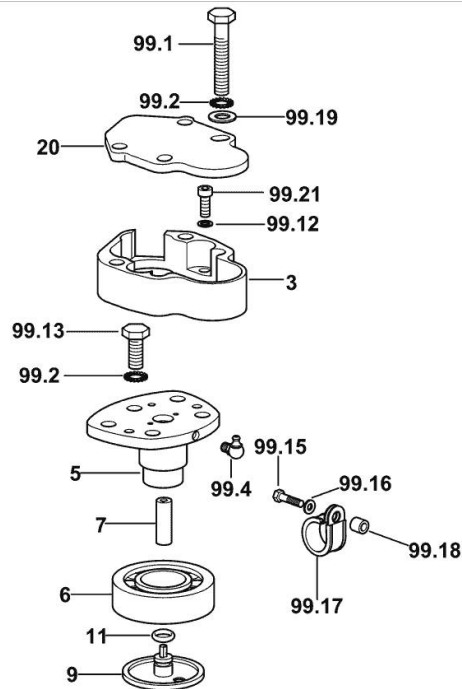
Fig.	P/n	QTY	Name
<b>Notes:</b>			
[XT 100 V-DRIVE]			
1	0.010.6083.0/60	1	front axle
2	2.3199.021.2	1	plug 1/2 gas
3	2.1560.054.0	1	gasket 21 x 26
4	2.0433.309.7	4	stud bolt m 14 p.1.5x35
5	2.1379.004.0/10	4	small plate 15x15x62x1.5
6	2.1379.003.0/10	4	small plate 15x15x62x0.12
7	0.010.4724.0/20	1	pin
8	2.1475.005.2	4	washer 14
9	2.1011.308.2	4	nut m 14 p.1.5
11	2.2530.007.0	1	roller bearing iso 30 kb 03
12	2.1599.260.0	4	shoulder ring 43x71x1
13	2.1519.045.0	4	special oil seal 41x73x9
14	0.463.4351.0	8	shim mm 0.50
15	0.463.4350.0	8	shim mm 0.20
16	0.463.4352.0	8	shim mm 0.15
17	0.255.4335.0/10	1	pin
18	2.1470.007.2	9	lock washer 12
19	2.3820.105.2	2	grease gun m 10 p.1 x 7
20	2.0112.411.2	9	screw m 12 p.1.75 x 30
21	2.1651.811.0	4	cylindrical plug 10x24
23	0.169.4337.0/10	2	pin
25	2.3821.102.2	1	grease gun m 8 p.1 x 8
32	2.1560.054.0	5	gasket 21 x 26
33	2.3199.021.2	2	plug 1/2 gas
34	2.3199.001.2	3	plug 1/2" gas
35	2.1589.124.0	8	shoulder ring mm 0.20
36	2.1589.126.0	8	shoulder ring mm 0.15
38	2.2550.007.0	2	roller bearing 30x72x28.75
39	2.1099.020.1	2	special nut m 24 p.1.5
41	2.1690.412.2	2	split pin 4 x 30
42	0.010.5537.0/10	1	rod
55	2.0119.213.2	4	screw m 14 p.2 x 60
56	2.1011.208.2	4	nut m 14 p.2
59	2.3199.386.0	5	plug Ø 11
60	0.010.0488.4/10	2	joint
62	2.3199.125.0	1	⚙ 0.010.0488.4/10 plug 1/8" gas

**STEERING SENSOR SUPPORT SBA/ASM**

Fig.	P/n	QTY	Name
------	-----	-----	------

Notes:  
[XT 100 V-DRIVE]

3	0.010.4627.0/10	1	guard
5	0.011.2308.0/10	1	pin
6	2.2520.008.0	1	roller bearing 35x72x18,25
7	0.010.0008.2	1	joint
9	0.011.2252.0	1	cap-washer
11	2.1530.024.0	1	oil seal 10.78 x 2.62
20	0.010.4355.0/10	1	cover
99.1	2.0112.423.2	4	screw m 12 p.1.75 x 70
99.2	2.1470.007.2	5	lock washer 12
99.4	2.3821.102.2	1	grease gun m 8 p.1 x 8
99.12	2.1470.004.2	2	lock washer 8
99.13	2.0112.411.2	1	screw m 12 p.1.75 x 30
99.15	2.0112.009.2	1	screw m 6 p.1 x 25
99.16	2.1470.002.2	1	lock washer 6
99.17	2.6839.066.0/10	1	clamp 16
99.18	2.1549.341.2	1	spacer 6.5x11x11
99.19	2.1310.007.2	2	flat washer 13 x 24
99.21	2.0312.206.2	2	screw m 8 p 1.25 x 20



9\_77843\_01\_0-A-001

**<https://www.ebooklibonline.com>**

Hello dear friend!

Thank you very much for reading.

Enter the link into your browser.

The full manual is available for immediate download.

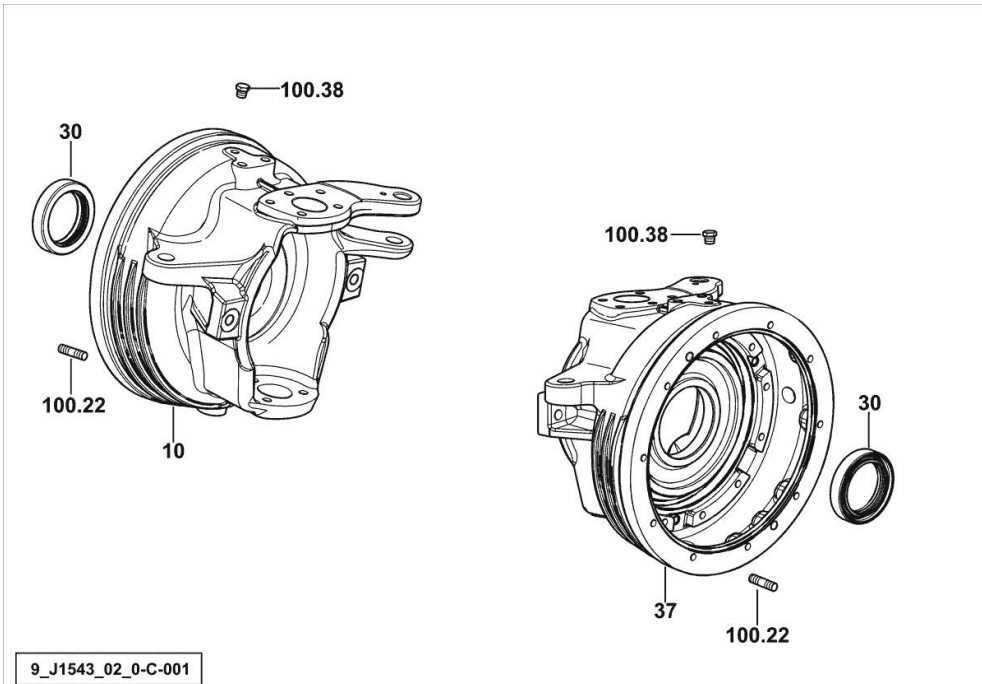
**<https://www.ebooklibonline.com>**

**4WD - FRONT AXLE FORKS FOR TYPES WITH BRAKES**

Fig.	P/n	QTY	Name
------	-----	-----	------

Notes:  
[XT 100 V-DRIVE]

10	0.016.3302.0/10	1	fork dx/rh/re
30	2.1529.134.0	2	special oil seal 65x90x17.5
37	0.016.3301.0/10	1	fork sx/lh/li
100.22	2.0433.155.7	20	stud bolt m 10 p.1.25 x 25
100.38	2.3199.125.0	2	plug 1/8" gas



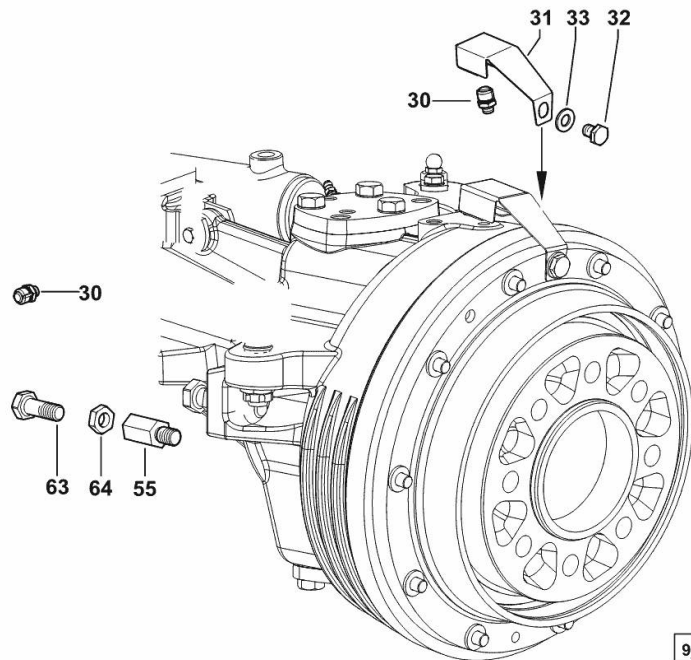
9\_J1543\_02\_0-C-001

**AIR BREATHER AND STEERING STOP - 4WD**

Fig.	P/n	QTY	Name
------	-----	-----	------

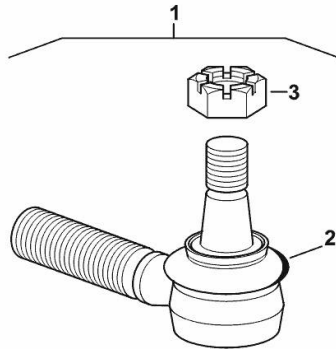
Notes:  
[XT 100 V-DRIVE]

30	0.135.4363.3/10	3	valve
31	0.270.4355.0	2	guard
32	2.0112.304.2	2	screw m 10 p.1.5x14
33	2.1310.006.2	2	flat washer 10.5x21
55	0.010.8798.0	2	spacer
63	2.0119.228.2	2	screw m 14 p.2 x 40
64	2.1011.208.2	2	nut m 14 p.2



**STEERING ROD - MECH. STEERING - TELESCOPIC AXLE**

Fig.	P/n	QTY	Name
1	0.010.0488.4/10	1	joint
2	0.900.0025.7	1	guard
3	0.900.0025.8	1	nut



0\_010\_0488\_4\_10

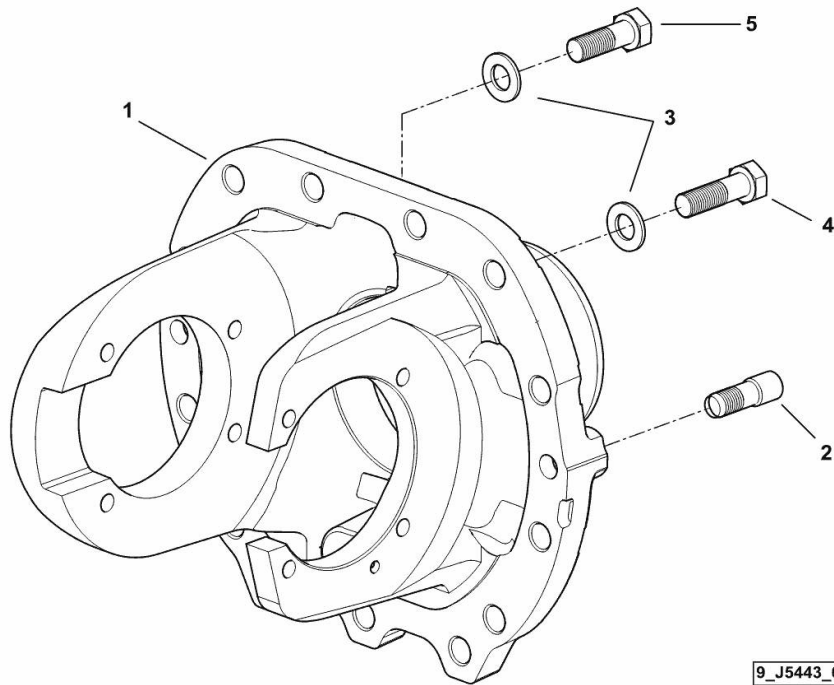
**4WD - FLANGE**

Fig.	P/n	QTY	Name
------	-----	-----	------

**Notes:**

[XT 100 V-DRIVE]

1	0.015.0554.0	1	flange
2	2.1699.434.0	2	pin m 14 p.1.5 x 16
3	2.1475.004.2	13	spring washer 12
4	2.0113.415.2	9	screw m 12 p.1.75 x 40
5	2.0113.413.2	4	screw m 12 p.1.75x35



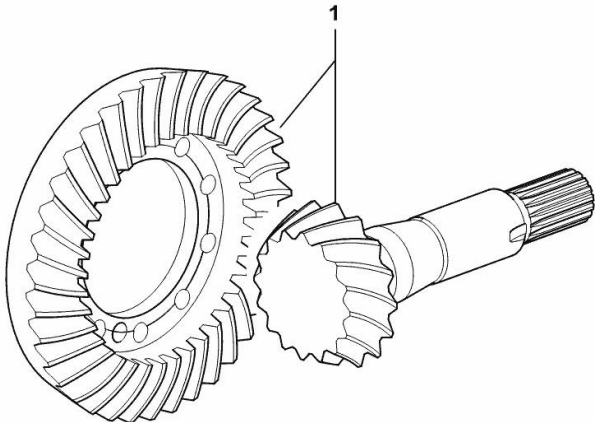
9\_J5443\_01\_0-A-001

**4WD - BEVEL WHEEL GEAR**

Fig.	P/n	QTY	Name
------	-----	-----	------

Notes:  
[XT 100 V-DRIVE]

1	0.015.0324.3/10	1	bevel drive z=19 z=43
---	-----------------	---	-----------------------



9\_J5446\_02\_0-A-001

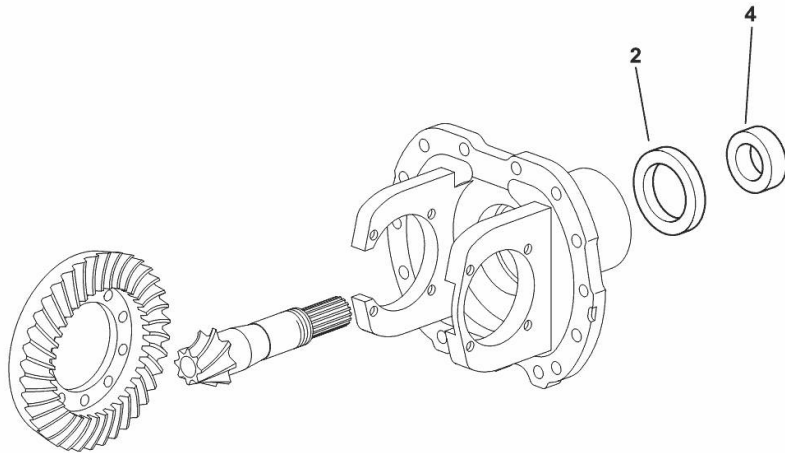
**DIFFERENTIAL SEAL RINGS**

Fig.	P/n	QTY	Name
------	-----	-----	------

**Notes:**

[XT 100 V-DRIVE]

2	2.1529.007.0/10	1	special oil seal 58 x 80 x 13
4	0.255.4650.0	1	spacer 35 x 58 x 19



9\_62346\_01\_0-A-001

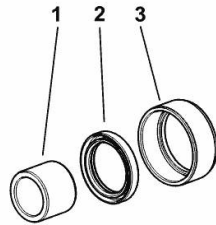
**4WD - STANDARD SEALING**

Fig.	P/n	QTY	Name
------	-----	-----	------

**Notes:**

[XT 100 V-DRIVE]

1	2.1559.453.0	1	bushing 30x40x31
2	2.1520.120.0	1	oil seal 40x55x8
3	0.013.8711.0	1	special bushing



9\_J5426\_01\_0-A-001



**Suggest:**

**For more complete manuals. Please go to the home page.**

**<https://www.ebooklibonline.com>**

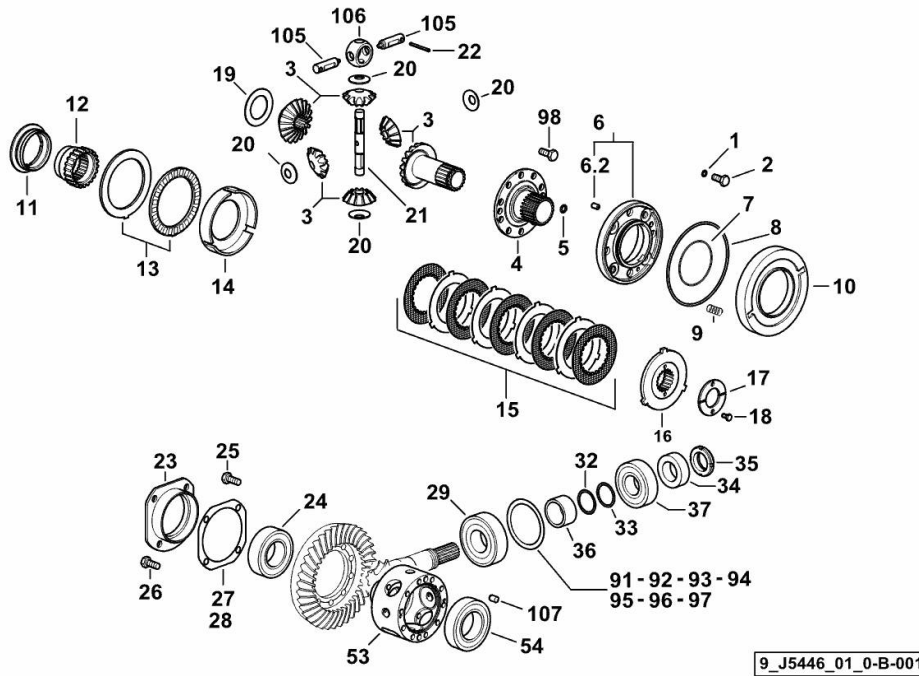
**If the above button click is invalid. Please download this document first, and then click the above link to download the complete manual.**

**Thank you so much for reading**

**4WD - FRONT DIFFERENTIAL**

Fig.	P/n	QTY	Name
------	-----	-----	------

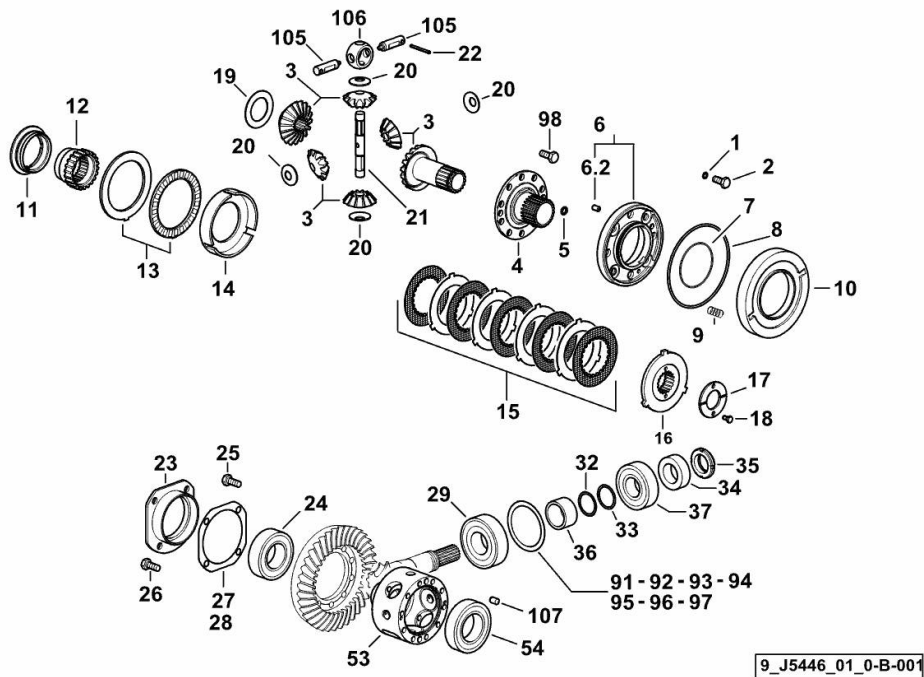
Notes:  
[XT 100 V-DRIVE]



1	2.1532.014.0	4	oil seal 7.65 x 1.78
2	2.0119.199.2	4	screw 7/8"-9UCX88.9
3	0.013.6073.3/20	1	planet gear
4	0.009.7642.0/50	1	flange
5	2.1530.018.0	1	oil seal 9.19 x 2.62
6	0.015.6526.3	1	flange
6.2	2.1699.250.0/20	1	pin 8 x 12
7	2.1539.171.0	1	special oil seal 75.87 x 2.62
8	2.1532.246.0	1	oil seal 142.47x3.53
9	2.4019.614.1	4	spring
10	0.009.7630.0/40	1	piston
11	0.009.7635.0/40	1	ring nut m72x1.5x85x21
12	0.009.7632.0/30	1	hub
13	2.2999.335.0/10	1	special bearing 90x5
14	0.009.7637.0/10	1	box
15	0.010.4526.3	1	hydraulic PTO clutch kpl.
16	0.009.7631.0/10	1	hub
17	0.009.7634.0/10	2	slewing ring
18	2.0312.102.2	2	screw m 6 p.1 x 12
19	2.1599.431.0	1	shoulder ring 42x66x2
20	0.255.4629.0	4	shoulder ring 15.5x36x2
21	0.013.6067.0	1	pin
22	2.1631.418.0	2	pin 5 x 45
23	0.255.4652.0/20	1	flange
24	2.2540.005.0	1	roller bearing 45 x 85 x 24.75
25	2.0139.025.1	10	screw m 10 p.1.25 x 25
26	2.0132.207.2	4	screw m 10 p.1 x 25
27	0.146.4654.0/10	4	shim 96x127x0.5
28	0.146.4653.0/10	4	shim 96x127x0.2
29	2.2560.006.0	1	roller bearing 40 x 90 x 25.25
32	2.1580.101.0	2	shim 36 x 43 x 0.2
33	2.1580.102.0	3	shim 36 x 43 x 0.5
34	0.255.4650.0	1	spacer 35 x 58 x 19
35	2.1214.008.7	1	ring nut 35 md
36	0.010.1045.0	1	spacer mm 37
37	2.2560.005.0	1	roller bearing 35 x 80 x 22.75
53	0.013.6062.0/40	1	differential carrier
54	2.2999.315.0	1	special bearing
91	2.1589.356.0	1	shoulder ring 73x89.5x0.6
92	2.1589.357.0	0.3	shoulder ring 73x89.5x0.7
93	2.1589.358.0	0.3	shoulder ring 73x89.5x0.8

**4WD - FRONT DIFFERENTIAL**

Fig.	P/n	QTY	Name
94	2.1589.359.0	0.3	shoulder ring 73x89.5x0.9
95	2.1589.360.0	0.3	shoulder ring 73x89.5x1.65
96	2.1589.361.0	0.3	shoulder ring 73x89.5x1.75
97	2.1589.362.0	0.3	shoulder ring 73x89.5x1.85
98	2.0139.002.1	10	screw m 10 p.1.25 x 20
105	0.013.6068.0	2	pin
106	0.013.6070.0	1	ring
107	2.1659.523.0	4	pin 10 x 16



**<https://www.ebooklibonline.com>**

Hello dear friend!

Thank you very much for reading.

Enter the link into your browser.

The full manual is available for immediate download.

**<https://www.ebooklibonline.com>**