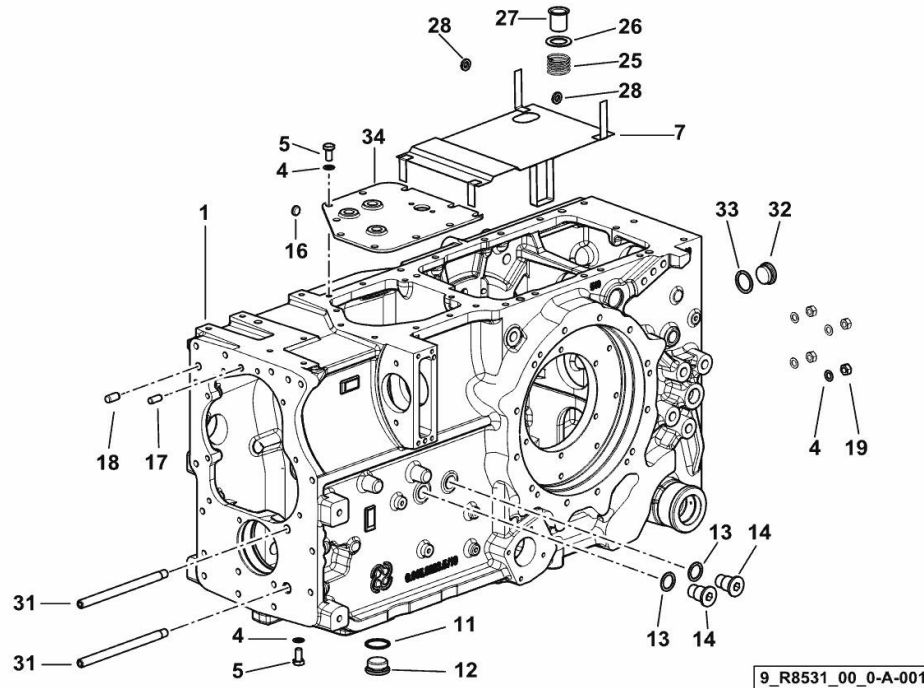


Section: D0 - TRANSMISSION
REAR GEARBOX CASE

Fig.	P/n	QTY	Name
------	-----	-----	------

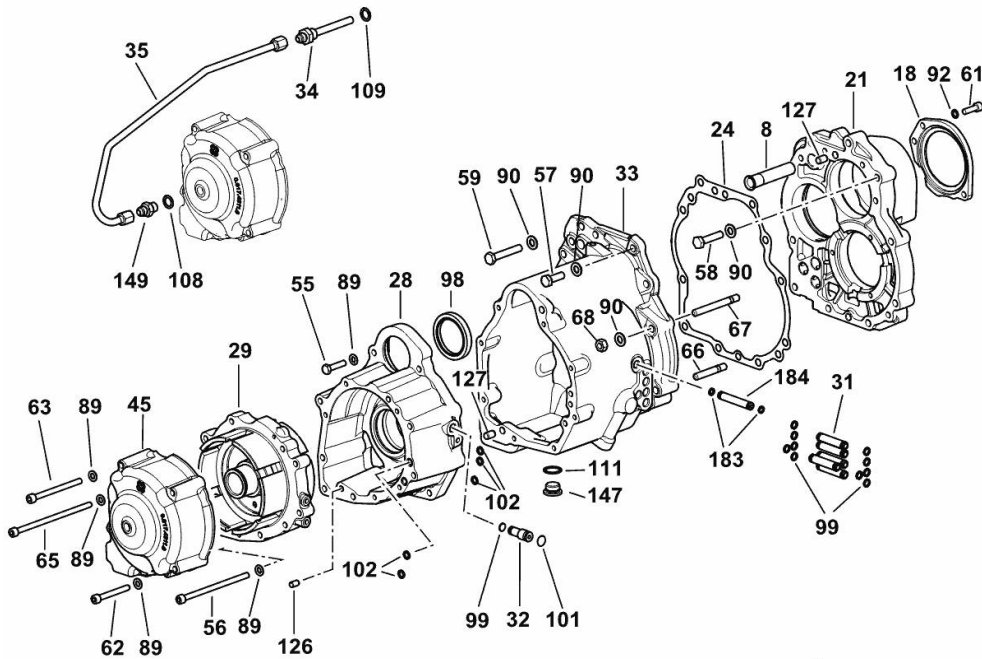
Notes:
 [XT 100 -> 10001]

1	0.015.9223.3/10	1	gear box
4	2.1470.006.2	4	lock washer 10
5	2.0112.307.2	5	screw m 10 p.1.5 x 20
7	0.014.9614.2	1	division
11	2.1560.026.0	1	gasket 35.3x41
12	2.3199.002.2	1	plug 1 gas
13	2.1560.020.0	2	copper gasket 24.3x32
14	2.3199.083.2	2	plug m 24 p.1.5
16	2.3171.006.4	1	plug Ø 16
17	2.1651.811.0	1	cylindrical plug 10x24
18	2.1651.911.0	1	cylindrical plug
19	2.1011.421.2	4	nut m 10 p.1.25
25	2.4019.609.2	1	spring 33x38x2.5x40
26	2.1549.231.2	1	spacer 27.5x42x2
27	0.009.6671.0	1	tube
28	2.1599.210.0/10	2	spacer 10.5x19x4
31	0.445.5450.0/10	2	small column
32	2.3139.023.2	1	plug 30x1.5
33	2.1560.024.0	1	gasket 30.3x38
34	0.015.6296.3	1	cover



9_R8531_00_0-A-001

INTERNAL FLANGES FOR 5 SPEED GEARBOX WITH H-M-L



9_R8533_00_0-F-001

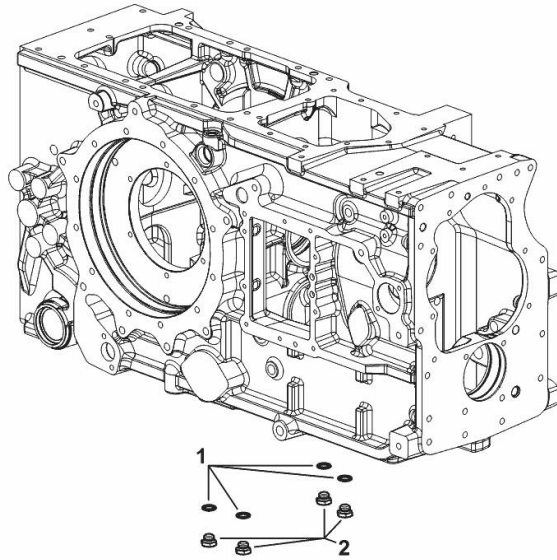
Fig.	P/n	QTY	Name
	Notes:		
	[XT 100 -> 10001]		
8	0.010.1244.0	1	tube
18	0.014.8340.0/10	1	cover
21	0.015.0087.0/40	1	flange
24	0.015.6286.0	1	gasket
28	0.016.8356.3/10	1	box
29	0.016.8479.3	1	box
31	0.016.8972.0	5	tube
32	0.016.8974.0/10	1	tube
33	0.016.9120.0/30	1	box
34	0.016.9458.3	1	tube
35	0.016.9462.3	1	tube
45	0.017.4311.0	1	cover
55	2.0112.213.2	5	screw m 8 p.1.25 x 35
56	2.0112.237.2	3	screw m 8 p.1.25x140
57	2.0112.311.2	4	screw m 10 p.1.5 x 30
58	2.0112.317.2	2	screw m 10 p.1.5 x 45
59	2.0112.321.2	4	screw m 10 p.1.5 x 60
61	2.0312.208.2	6	screw m 8 p.1.25 x 25
62	2.0312.219.2	2	screw m 8 p.1.25x65
63	2.0312.226.2	3	screw m 8 p.1.25 x 100
65	2.0399.340.2	2	screw m 8x160
66	2.0432.165.7	1	stud bolt m 10 p.1.5-1.25x50
67	2.0432.171.7	4	stud bolt m 10 p.1.5-1.25x80
68	2.1011.421.2	5	nut m 10 p.1.25
89	2.1475.002.2	15	conical washer 8
90	2.1475.003.2	15	washer 10
92	2.1480.014.2	6	washer 8
98	2.1520.329.0	1	oil seal 55x72x10
99	2.1530.019.0	11	oil seal 9.25x1.78
101	2.1531.024.0	1	oil seal 10.77x2.62
102	2.1532.016.0	5	oil seal 8.74 x 1.78
108	2.1560.010.0	1	gasket 14.2 x 20
109	2.1560.011.0	1	copper gasket 16.2x20
111	2.1560.017.0	1	gasket 22.2 x 27
126	2.1651.706.0	2	pin 8 x 14
127	2.1651.807.0	4	pin 10 x 16
147	2.3199.001.2	1	plug 1/2" gas
149	2.3261.006.2	1	pipe fitting
183	2.1532.014.0	2	oil seal 7.65 x 1.78
184	0.017.9938.0	1	tube 11 mm

PLUGS FOR GEARBOX

Fig.	P/n	QTY	Name
------	-----	-----	------

Notes:
[XT 100 -> 10001]

1	2.1560.012.0	4	gasket 16.2 x 22
2	2.3110.304.7	4	plug m 16 p.2



9_L7231_05_0-A-001

<https://www.ebooklibonline.com>

Hello dear friend!

Thank you very much for reading.

Enter the link into your browser.

The full manual is available for immediate download.

<https://www.ebooklibonline.com>

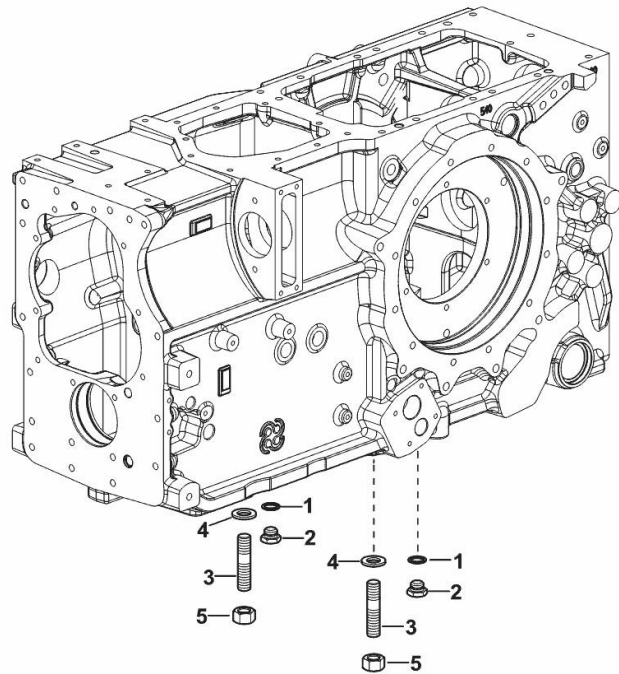
FASTENINGS

Fig.	P/n	QTY	Name
------	-----	-----	------

Notes:

- FOR PICK-UP-HITCH TYPES [XT 100 -> 10001]

1	2.1560.012.0	2	gasket 16.2 x 22
2	2.3110.304.7	2	plug m 16 p.2
3	2.0432.415.7	2	stud bolt m 16 p.2-1.5x50
4	2.1310.010.2	2	flat washer 17x30
5	2.1011.109.2	2	nut m 16 p.2



9_L7231_06_0-A-001

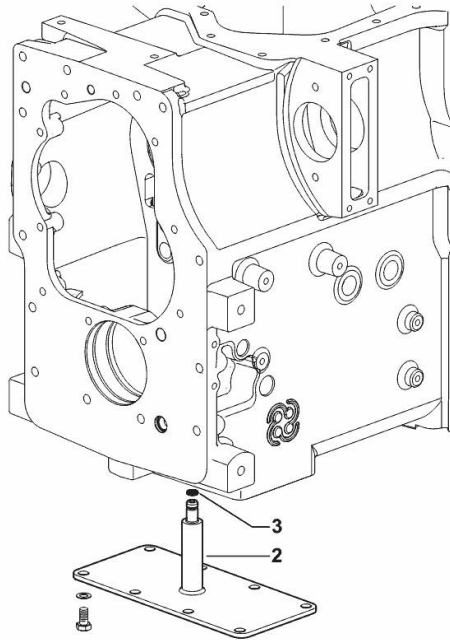
GEARBOX LOWER COVER

Fig.	P/n	QTY	Name
------	-----	-----	------

Notes:

[XT 100 -> 10001]

2	0.008.4311.2/20	1	cover
3	2.1530.019.0	1	oil seal 9.25x1.78



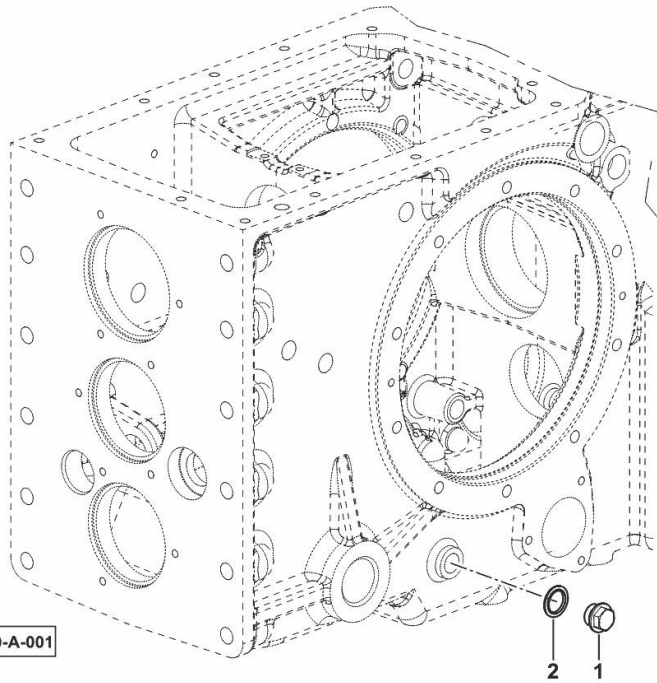
9_H1534_01_0-B-001

REAR GEARBOX PLUG

Fig.	P/n	QTY	Name
------	-----	-----	------

Notes:
[XT 100 -> 10001]

1	2.3110.405.2	1	plug m 18 p.1.5 x 15
2	2.1561.010.0	1	oil seal 18



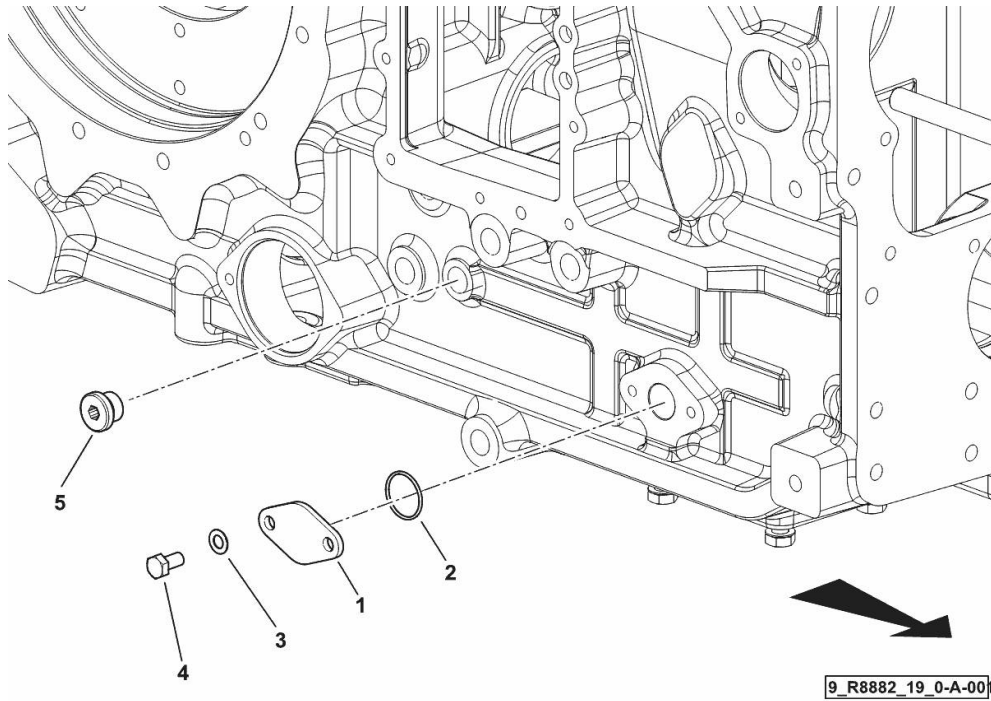
9_17582_38_0-A-001

END COVERS

Fig.	P/n	QTY	Name
------	-----	-----	------

Notes:
[XT 100 -> 10001]

1	0.017.8448.0	1	flange
2	2.1532.072.0	1	oil seal 26.70x1.78
3	2.1470.004.2	2	lock washer 8
4	2.0112.205.2	2	screw m 8 p.1.25 x 16
5	04454782	1	plug m 18 p.1.5

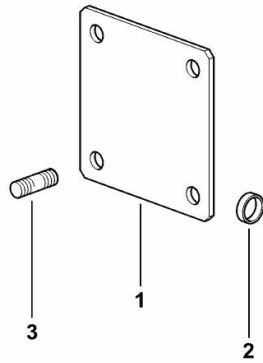


COVER FOR TYPES WITHOUT SYNCHRO PTO

Fig.	P/n	QTY	Name
------	-----	-----	------

Notes:
[XT 100 -> 10001]

1	0.255.3131.0/10	1	flange
2	2.3171.007.4	1	plug Ø 18
3	2.0432.155.7	4	stud bolt m 10 p.1.5 / p. 1.25 x 25



9_40536_01_0-A-001

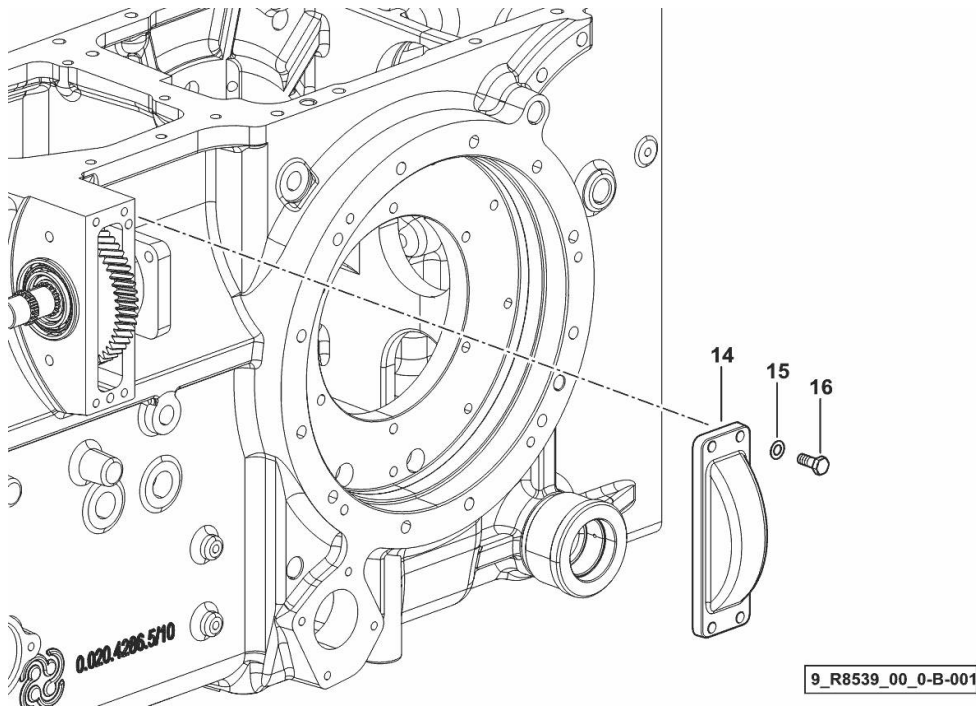
COVER

Fig.	P/n	QTY	Name
------	-----	-----	------

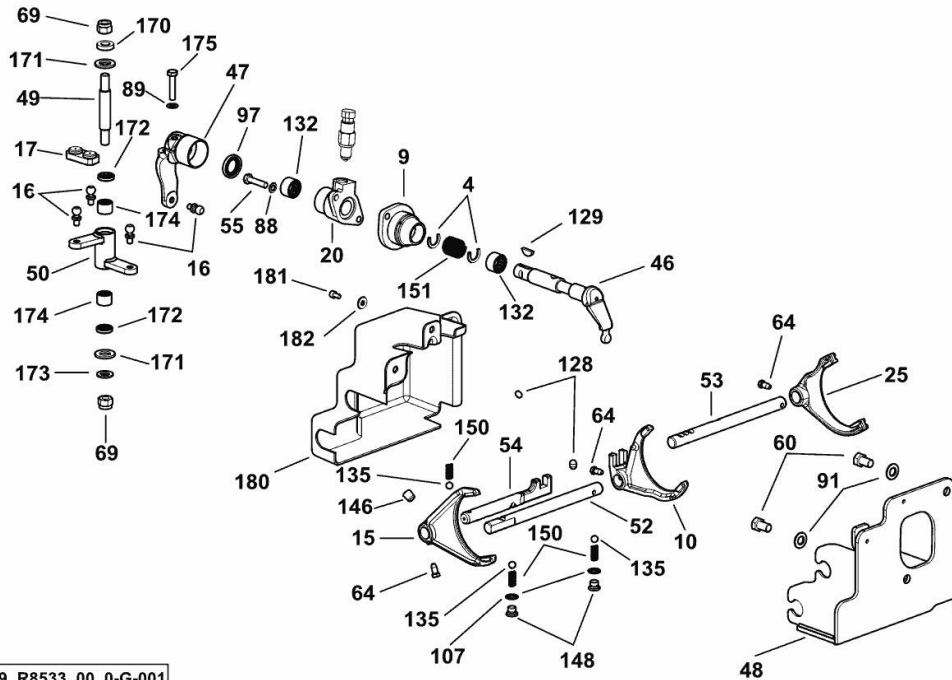
Notes:

VERSION WITH 2 HYDRAULIC PUMPS [XT 100 -> 10001]

14	0.255.3134.0/10	1	small cover
15	2.1481.007.1	4	washer 8
16	2.0112.207.2	4	screw m 8 p 1.25 x 20



INTERNAL CONTROLS FOR 5 SPEED GEARBOX WITH H-M-L



9_R8533_00_0-G-001

Fig.	P/n	QTY	Name
Notes:			
[XT 100 -> 10001]			
4	0.008.5405.0	2	ring
9	0.011.7127.0/20	1	support
10	0.012.4169.0/20	1	fork
15	0.013.0009.0/10	1	fork
16	0.014.1947.0	4	small pin
17	0.017.7643.3	1	connecting rod
20	0.014.9383.0/20	1	support
25	0.015.9175.0/10	1	fork
46	0.017.7622.0	1	lever
47	0.017.7597.2	1	lever
48	0.018.9882.2	1	plate
49	0.017.4996.0/10	1	pin
50	0.017.7964.2	1	lever
52	0.445.6420.0/10	1	rod
53	0.445.6421.0/10	1	rod
54	0.445.6454.0/30	1	rod
55	2.0112.213.2	5	screw m 8 p.1.25 x 35
60	2.0112.407.2	2	screw m 12 p.1.75 x 20
64	2.0399.019.1	3	screw m 8 p.1 x 16
69	2.1120.007.2	2	self-locking nut m 12 p.1.75
88	2.1470.004.2	2	lock washer 8
89	2.1475.002.2	15	conical washer 8
91	2.1475.004.2	2	spring washer 12
97	2.1519.075.0	1	oil seal 22 x 35 x 6
107	2.1560.008.0	3	gasket 12.2 x 18
128	2.1699.159.0	2	cap 10 x 14.1
129	2.1720.010.0	1	key 5x9
132	2.2725.030.0	2	roller cage 22 x 28 x 16
135	2.2999.156.0	4	ball Ø 10
146	2.3131.001.4	1	plug m 12 p.1.5
148	2.3199.164.2/20	2	plug m 12 p.1.5
150	2.4019.622.1	3	spring 6.3 x 9.5 x 1.6 x 22.4
151	2.4019.698.1/10	1	spring 21 x 25 x 46
170	2.1549.124.2	1	spacer 13 x 25 x 6
171	2.1310.010.2	2	flat washer 17x30
172	2.1519.078.0	2	special oil seal 16 x 24 x 6
173	2.1475.004.7	1	washer 13 x 24
174	2.2725.020.0	2	roller cage 16x22x16
175	2.0112.215.2	1	screw m 8 p.1.25 x 40
180	0.017.8358.0/10	1	cover
181	2.0312.101.2	3	screw m 6 p.1 x 10

REDUCTION GEAR CONTROL

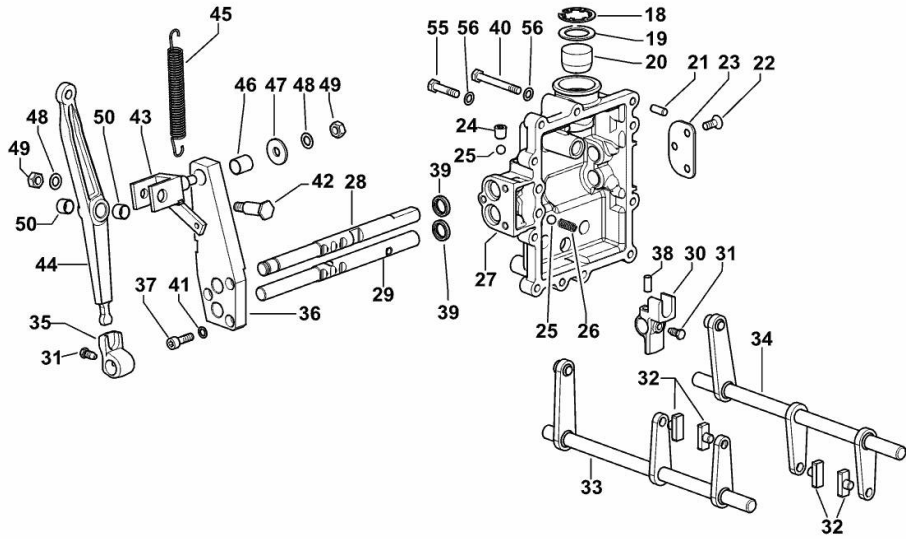


Fig.	P/n	QTY	Name
------	-----	-----	------

Notes:
[XT 100 -> 10001]

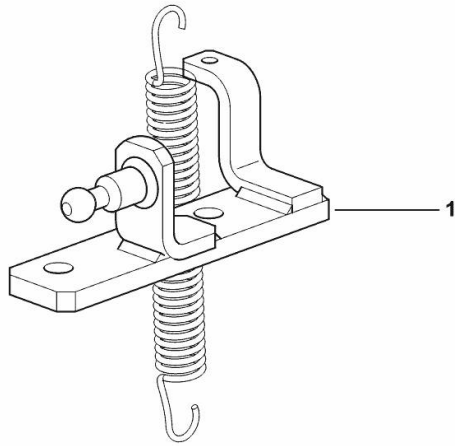
18	2.1499.054.1	1	circlip 42
19	2.1599.429.0	1	shoulder ring 28x41.5
20	0.007.2631.0	1	plug
21	2.1651.709.0	2	pin 8x20
22	2.0342.305.3	3	screw m 8 x 20
23	0.013.5465.0/10	1	plate
24	2.3131.001.4	1	plug m 12 p.1.5
25	2.1699.159.0	3	cap 10 x 14.1
26	2.4019.622.1	2	spring 6.3 x 9.5 x 1.6 x 22.4
27	0.013.5466.0	1	cover
28	0.013.5360.0/50	1	rod mm 249.5
29	0.013.5361.0/40	1	rod mm 251
30	0.013.5458.0	1	small lever
31	2.0399.019.1	2	screw m 8 p.1 x 16
32	0.255.6463.0	4	shoe
33	0.014.8304.2/10	1	fork
34	0.014.8303.2/20	1	fork
35	0.008.4316.0/40	1	hub
36	0.013.5462.0/10	1	support
37	2.0312.208.2	3	screw m 8 p.1.25 x 25
38	2.1699.267.0	1	pin 8x18
39	2.1519.078.0	2	special oil seal 16 x 24 x 6
40	2.0112.222.2	1	screw m 8 p.1.25x65
41	2.1480.014.1	3	washer 8
42	0.009.9957.0	1	pin
43	0.009.9858.2/20	1	fork
44	0.014.8087.0	1	brake lever
45	2.4049.025.2	1	spring 17.1x116x2.1
46	2.1555.309.0	1	bushing 16x18x20
47	2.1579.520.2	1	washer 10.5x30x3
48	2.1470.006.2	1	lock washer 10
49	2.1011.106.2	2	nut m 10 p.1.5
50	2.1555.107.0	2	bushing 14x16x12
55	2.0112.213.2	8	screw m 8 p.1.25 x 35
56	2.1481.007.2	9	washer 8

BRACKET

Fig.	P/n	QTY	Name
------	-----	-----	------

Notes:
[XT 100 -> 10001]

1	0.014.8528.2/10	1	plate
---	-----------------	---	-------



9_H1334_02_0-A-001



Suggest:

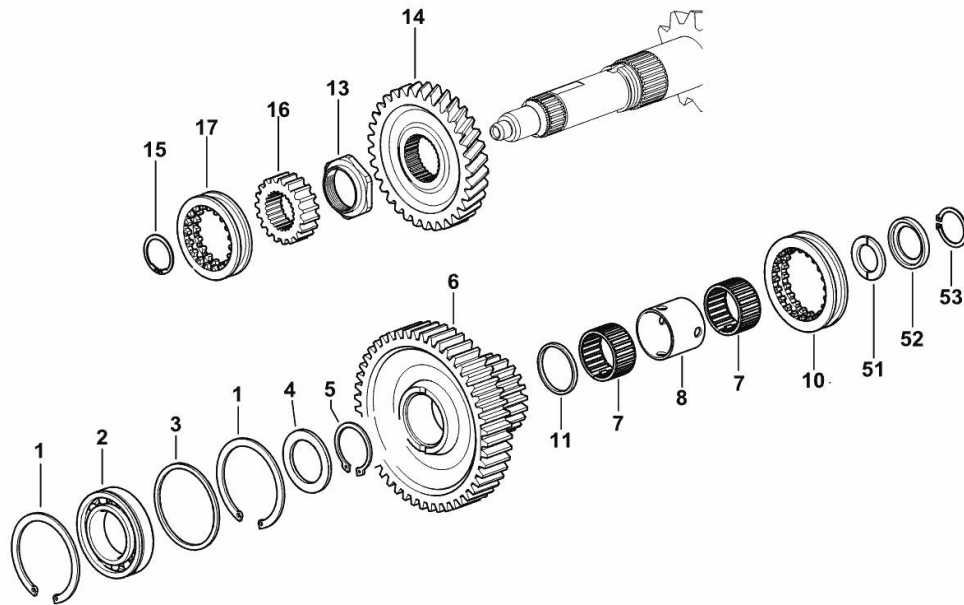
For more complete manuals. Please go to the home page.

<https://www.ebooklibonline.com>

If the above button click is invalid. Please download this document first, and then click the above link to download the complete manual.

Thank you so much for reading

SPEED RANGE REDUCTION GEAR UNIT



9_H1334_00_0-A-001

Fig.	P/n	QTY	Name
------	-----	-----	------

Notes:
[XT 100 -> 10001]

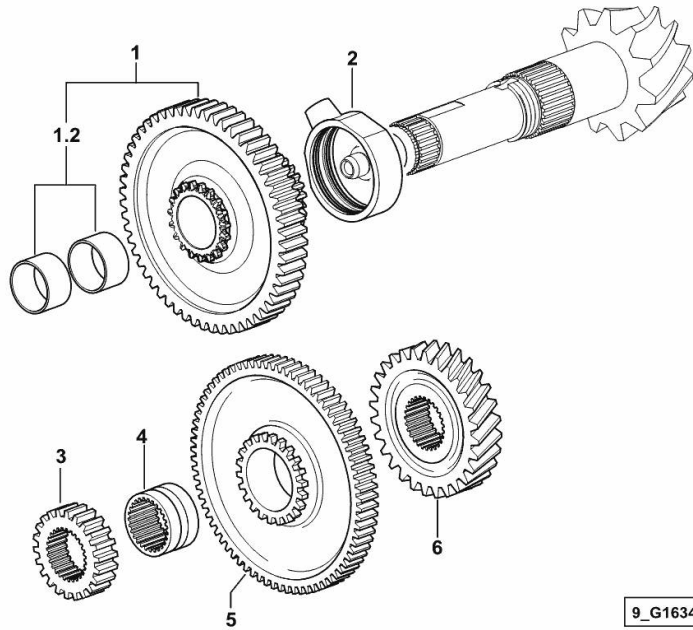
1	2.1411.036.1	2	circlip 90
2	2.2999.203.0	1	special bearing 50 x 90 x 20
3	2.1599.538.0	1	shoulder ring 80x89.5x3
4	2.1589.323.0	1	shoulder ring 45x65x4
5	2.1412.017.7	1	circlip 45
6	0.010.8998.0/20	1	gear z=48 z=22
7	2.2999.366.0	2	roller cage
8	2.1549.399.0/10	1	spacer
10	0.014.3116.0/10	1	sleeve
11	2.1549.413.0	1	spacer 47x52.8x4
13	2.1219.052.7/10	1	ring nut m 45 p.1.5
14	0.010.0843.0/20	1	gear z = 33
15	2.1419.067.0	1	circlip 35 x 1.5
16	0.255.3455.0	1	hub Z = 19
17	0.255.3438.0/20	1	sleeve Z = 19
51	0.008.5607.0/20	1	slewing ring
52	0.008.4481.0	1	ring
53	2.1410.014.1	1	circlip 35

4-RANGE BOX

Fig.	P/n	QTY	Name
------	-----	-----	------

Notes:
[XT 100 -> 10001]

1	0.010.9013.3/10	1	gear z=56 z=26 z=19
1.2	2.1559.176.0	2	special bushing 40x44x25
2	0.007.3550.0	1	manifold
3	0.010.9008.0	1	hub Z = 22
4	0.010.9004.0/20	1	special bushing
5	0.010.9003.0	1	gear z=75 z=22
6	0.010.9006.0/10	1	gear Z = 28



9_G1634_08_0-A-001

<https://www.ebooklibonline.com>

Hello dear friend!

Thank you very much for reading.

Enter the link into your browser.

The full manual is available for immediate download.

<https://www.ebooklibonline.com>