

Product: VIBRATORY COMPACTOR

Model: CB-66B VIBRATORY COMPACTOR 475

Configuration: CB68B, CB66B, CB64B Vibratory Compactor 47500001-UP (MACHINE) POWERED BY C4.4 Engine

Disassembly and Assembly CB64B, CB66B, and CB68B Asphalt Compactors Machine Systems

Media Number -UENR6756-03

Publication Date -01/02/2018

Date Updated -07/02/2018

i06559720

Eccentric Weight - Disassemble

SMCS - 6606-015

Disassembly Procedure

Table 1

Required Tools			
Tool	Part Number	Part Description	Qty
A	439-3939	Link Bracket As	3
B	1P-0510	Driver Gp	1

Start By:

- a. Remove the eccentric weight.
 1. Drain the oil from the eccentric weight housing. Refer to Operation and Maintenance Manual, "Eccentric Weight Housing Oil - Change" for the correct draining procedures.

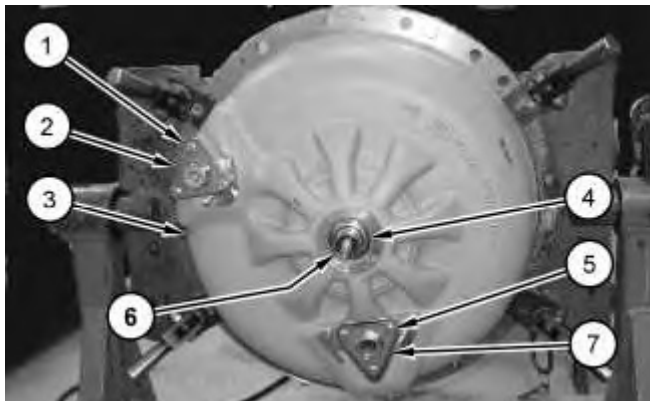


Illustration 1

g01121046

2. Remove bolts (1), plate (2), bolts (5), and plate (7).
3. Remove dust cover (4) and lip seal (6) from eccentric weight assembly (3), if equipped.

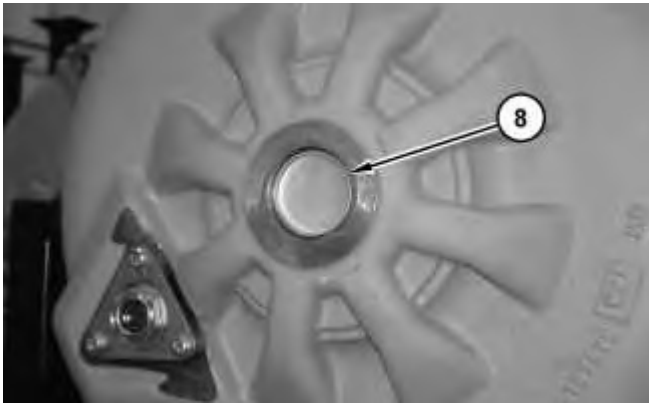


Illustration 2

g01218923

4. Remove cup plug (8), if equipped.



Illustration 3

g01219057

5. Remove dust cover (9) and lip seal (10).

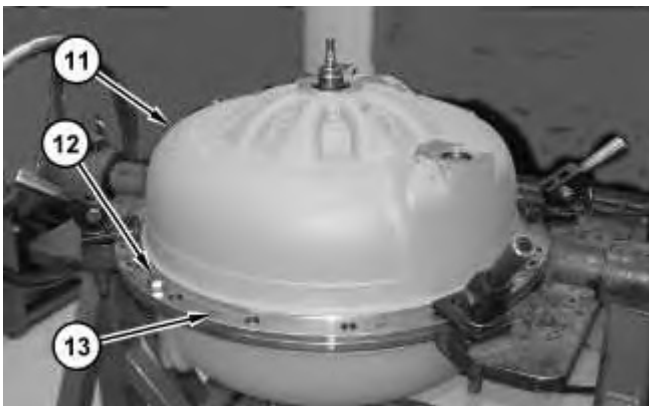


Illustration 4

g01121048

Note: Drive the pin out from the opposite side of the grooved end of the pins.

6. Remove pin (13) and bolts (12).
7. Attach Tooling (A) and a suitable lifting device to eccentric weight housing (11). The weight of eccentric weight housing (11) is approximately 58 kg (128 lb). Remove eccentric weight housing (11).

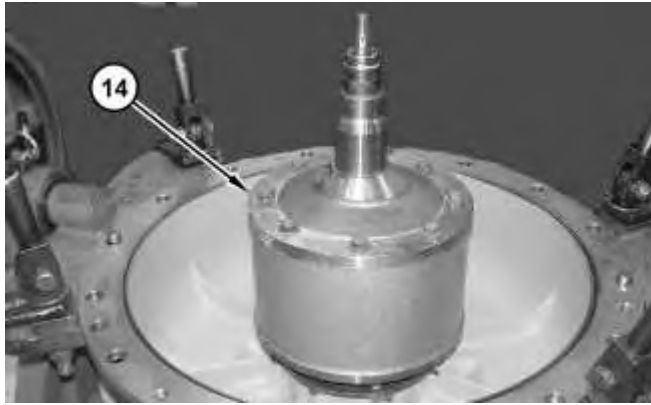


Illustration 5

g01121050

8. Use a suitable lifting device to remove eccentric weight (14). The weight of eccentric weight (14) is approximately 50 kg (110 lb).

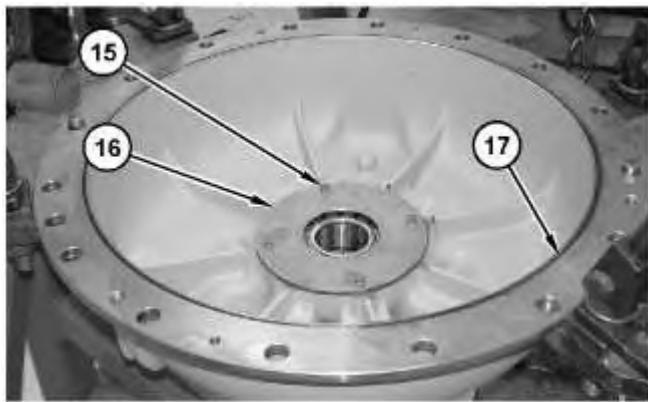


Illustration 6

g06038176

9. Remove bolts (15) and bearing retainer (16).
 10. Remove O-ring seal (17).
-

<https://www.ebooklibonline.com>

Hello dear friend!

Thank you very much for reading.

Enter the link into your browser.

The full manual is available for immediate download.

<https://www.ebooklibonline.com>

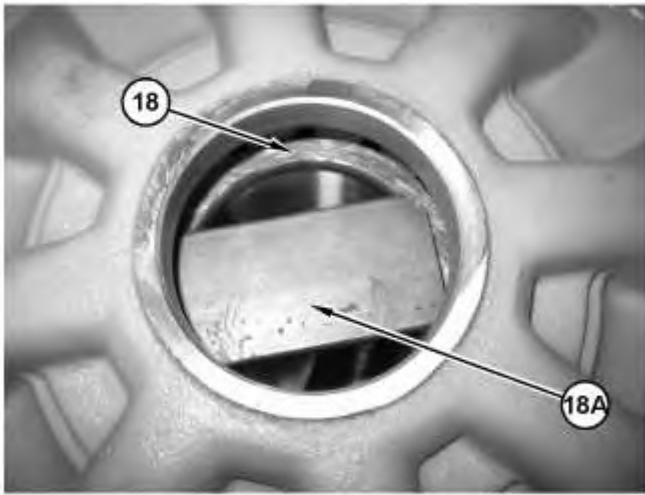


Illustration 7

g06038183

11. Install plate (18A) onto bearing (18). Use plate (18A) and a suitable punch to remove bearing (18).

Note: The dimensions of plate (18A) are: 50 mm wide, 100 mm long, and 12 mm thick.

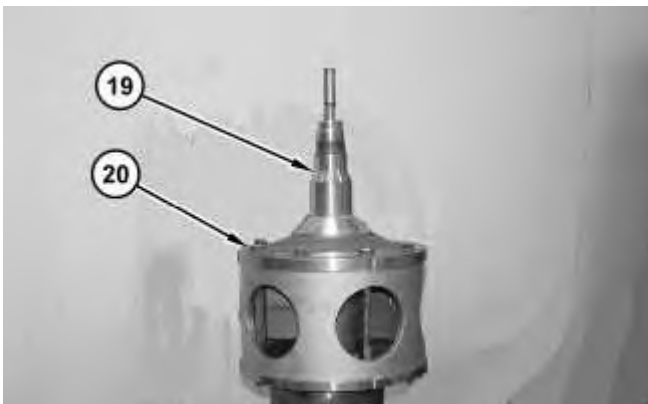


Illustration 8

g01121240

12. Remove bolts (20) and shaft (19).
-

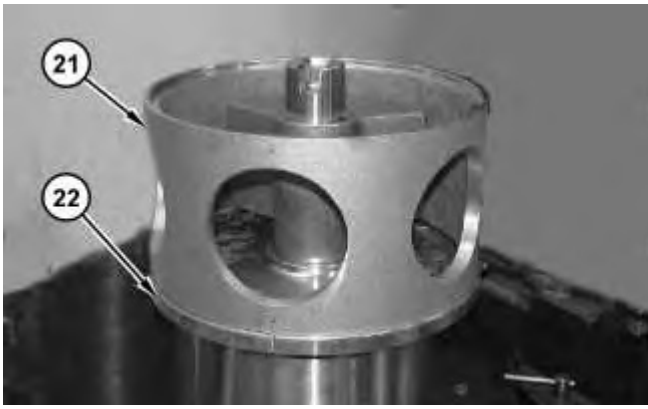


Illustration 9

g01121241

13. Remove weight (21) from shaft (22).

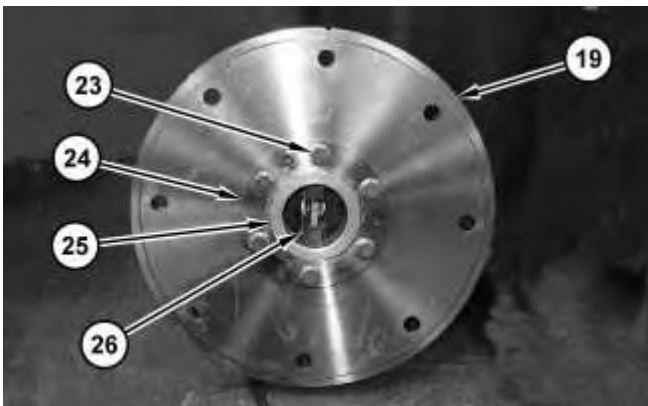


Illustration 10

g01121242

! WARNING

Personal injury can result from being struck by parts propelled by a released spring force.

Make sure to wear all necessary protective equipment.

Follow the recommended procedure and use all recommended tooling to release the spring force.

14. Remove bolts (23). Remove thrust block (24) from shaft (19).
15. Use Tooling (B) to remove bushing (25). Remove shaft (26).

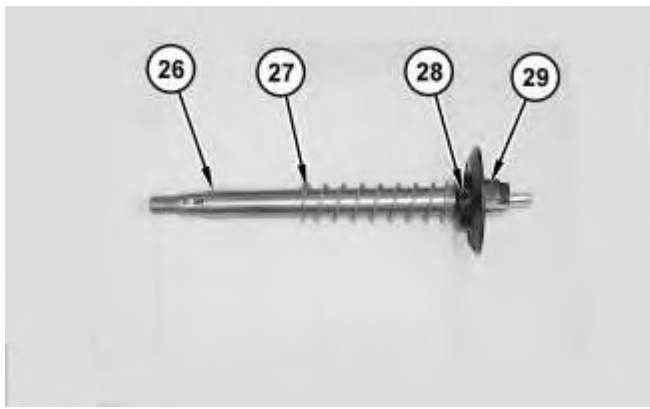


Illustration 11

g01122175



Personal injury can result from being struck by parts propelled by a released spring force.

Make sure to wear all necessary protective equipment.

Follow the recommended procedure and use all recommended tooling to release the spring force.

-
16. Remove roll pin (28), spring (27), and key (29) from shaft (26).

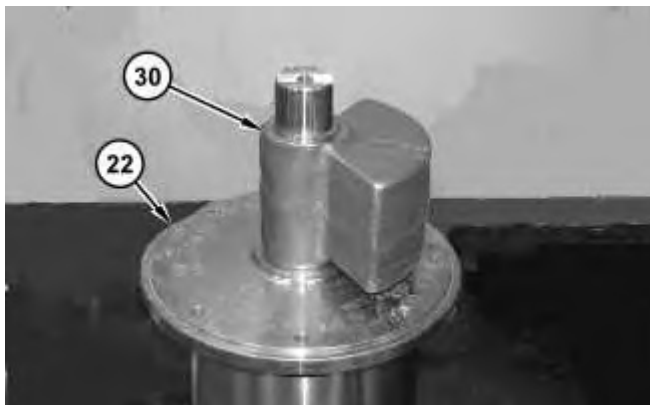


Illustration 12

g01121436

-
17. Remove weight assembly (30) from shaft (22).
-

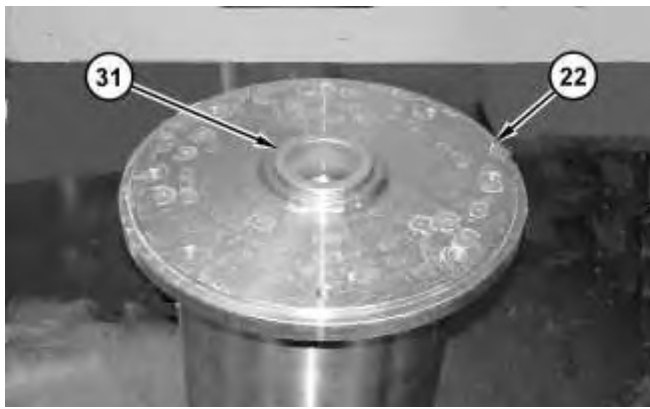


Illustration 13

g01121437

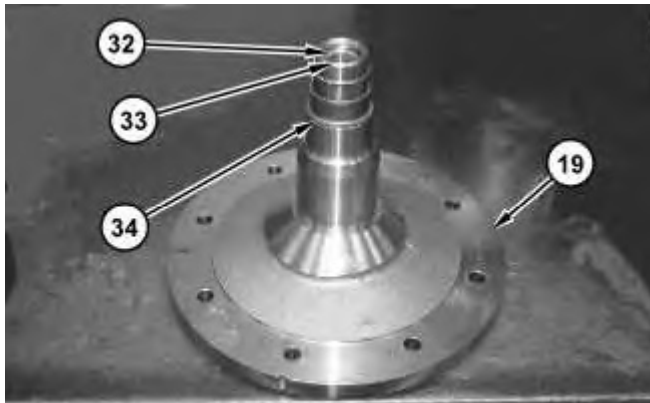


Illustration 14

g01121045

18. Use Tooling (B) to remove bushing (31) from shaft (22).
19. Remove oil ring (32), sleeve bearing (33), and sleeves (34) from shafts (19) and (22).

Product: VIBRATORY COMPACTOR

Model: CB-66B VIBRATORY COMPACTOR 475

Configuration: CB68B, CB66B, CB64B Vibratory Compactor 47500001-UP (MACHINE) POWERED BY C4.4 Engine

Disassembly and Assembly CB64B, CB66B, and CB68B Asphalt Compactors Machine Systems

Media Number -UENR6756-03

Publication Date -01/02/2018

Date Updated -07/02/2018

i07187769

Eccentric Weight - Disassemble - Versa Vib

SMCS - 6606-015

Disassembly Procedure

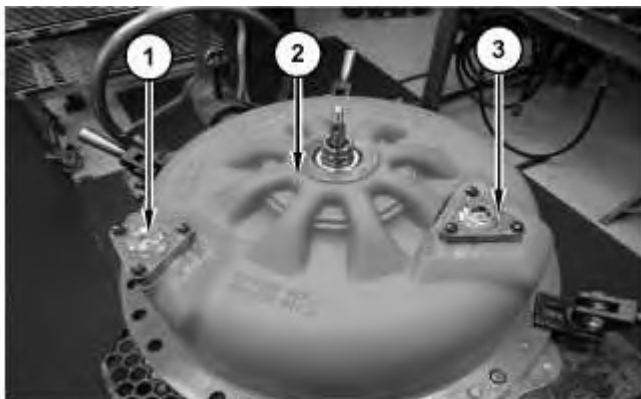
Tooling

Table 1

Required Tools			
Tool	Part Number	Part Description	Qty
A	6V-2157	Link Bracket	3
B	8B-7554	Bearing Cup Puller Gp	1
C	1P-0510	Driver Gp	1

Disassembly Procedure

1. Drain the oil from the pod assembly. Refer to Operation and Maintenance Manual, Eccentric Weight Housing Oil - Change for the correct procedure.



2. Remove the three bolts, the three washers, fill plug assembly (1), and the seal from pod assembly (2).
3. Remove the three bolts, the three washers, sight glass assembly (3), and the seal from pod assembly (2).

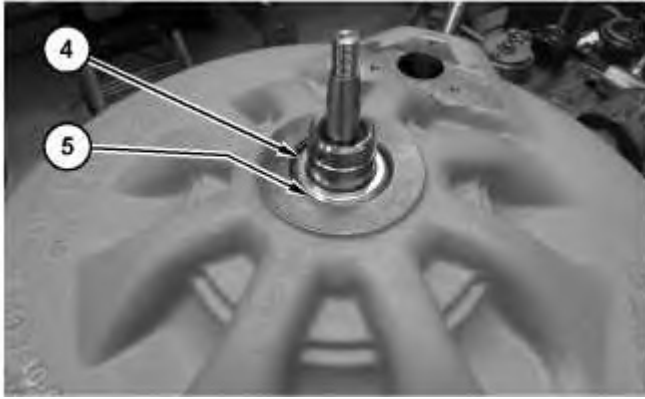


Illustration 2

4. Remove dust cover (4) and lip seal (5).
5. Turn the pod assembly over.



Illustration 3

6. Remove dust cover (6) and lip seal (7).
-



Illustration 4

g06023549

7. Remove three bolts (8) and the three washers.

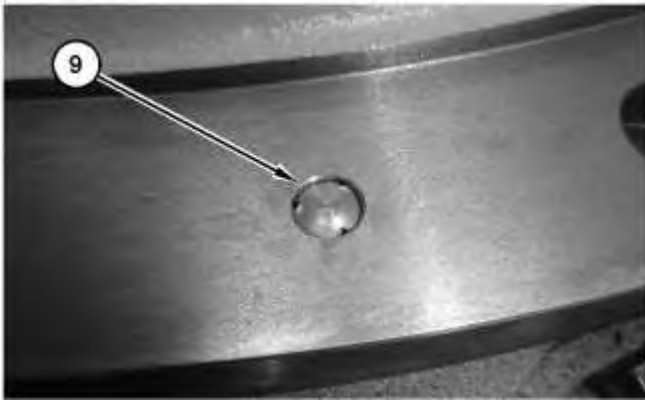


Illustration 5

g06023566

8. Remove two pins (9).

Note: Drive the pin out from the opposite side of the grooved end.



Illustration 6

g06023968

9. Attach Tooling (A) and a suitable lifting device to eccentric weight housing (10). The weight of eccentric weight housing (10) is approximately 58 kg (128 lb). Remove eccentric weight housing (10).



Illustration 7

g06023990

10. Remove the bolts, the washers, and bearing retainer (11) from eccentric weight housing (10).

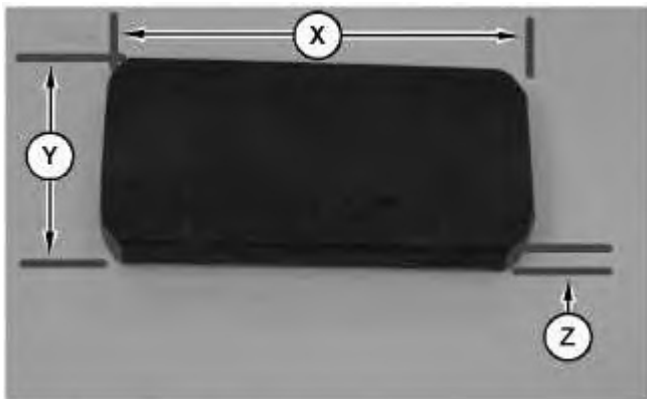


Illustration 8

g06029268

(X) 100 mm (3.94 inch)

(Y) 50 mm (1.97 inch)

(Z) 12 mm (0.47 inch)

11. Dimensions of plate needed to remove bearing (12).
-



Illustration 9

g06029279

12. Use fabricated tool to remove bearing (12) from eccentric weight housing (10).

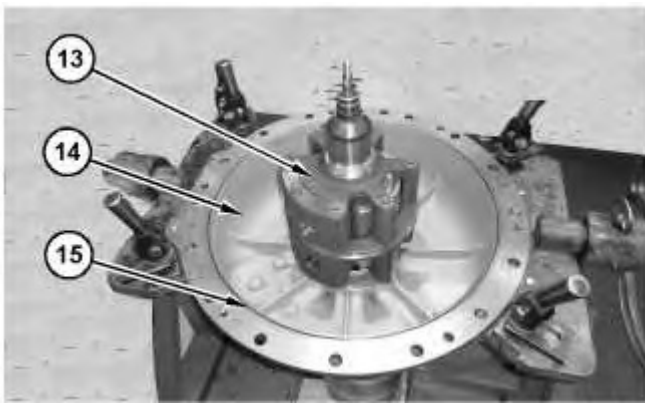


Illustration 10

g06023994

13. Use a suitable lifting device to remove eccentric weight (13) from eccentric weight housing (14). The weight of eccentric weight (13) is approximately 50 kg (110 lb). Remove eccentric weight (13). Place eccentric weight (13) on a workbench.
14. Remove O-ring seal (15).

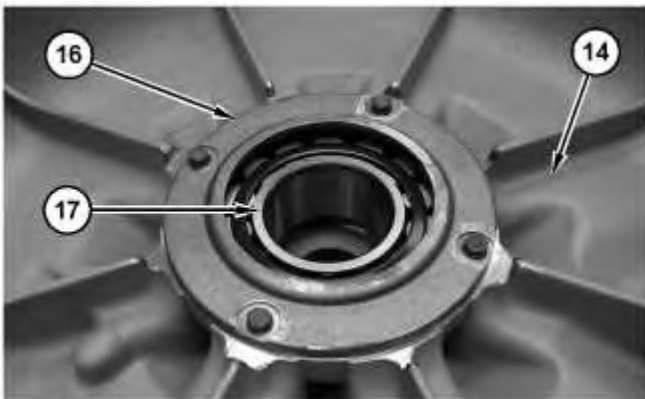


Illustration 11

g06024390

15. Remove the bolts, the washers, and bearing retainer (16) from eccentric weight housing (14).



Illustration 12

g06029279

16. Turn housing (14) over and use fabricated tool to remove bearing (17).



Illustration 13

g06024442

17. Remove seven bolts (18) and the seven washers.



Illustration 14

g06024573

18. Use a suitable lifting device to remove shaft (19) from remove shaft (20).

Note: Shaft (19) is the shift end and shaft (20) is vibratory shaft end.

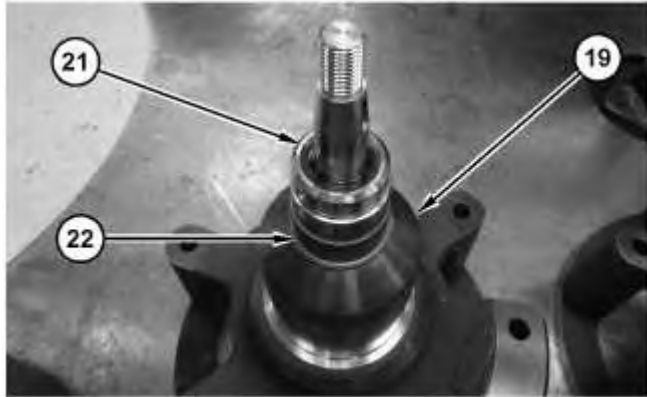


Illustration 15

g06024593

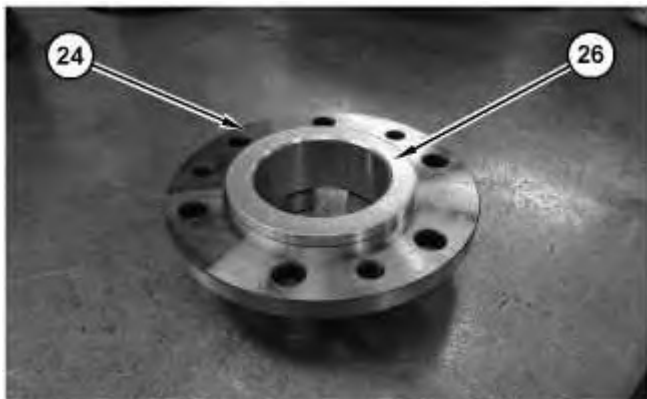
19. Remove seal (21) from shaft (19).
20. Use Tool (B) to remove sleeve bearing (22) from shaft (19).



Illustration 16

g06024602

21. Remove six bolts (23), the six washers, thrust block (24), and shaft assembly (25) from shaft (19).



22. Use Tool (C) and a suitable press to remove bushing (26) from thrust block (24).

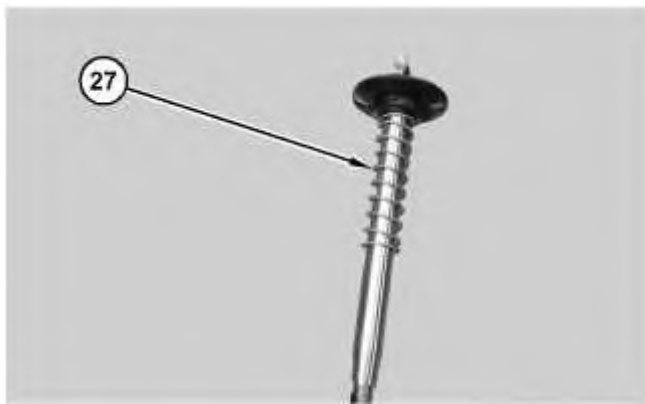


Illustration 18

23. Remove spring (27).



Illustration 19

24. Place the shaft assembly into a vise. Remove spring pin (29). Remove shaft (30) from drive key (28).



Illustration 20

25. Use Tool (C) to remove sleeve bearing (31) from shaft (19).



Illustration 21

g06024664

26. Remove weight assembly (32) from shaft (20). Weight assembly (32) is approximately 16 kg (35 lb).

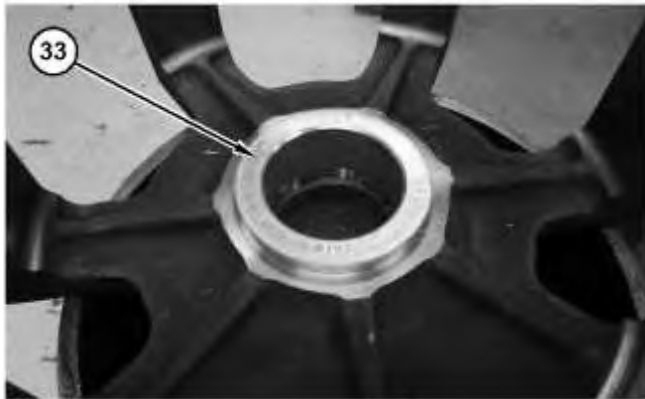


Illustration 22

g06024649

27. Use Tool (C) and a suitable press to remove bushing (33).

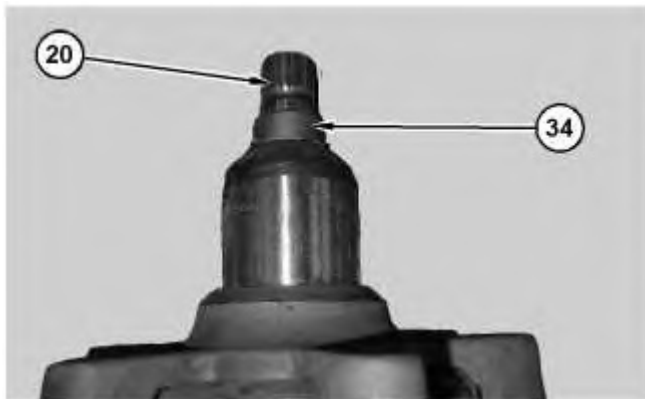


Illustration 23

g06025325

28. Use Tool (B) to remove sleeve bearing (34) from shaft (20).

Product: VIBRATORY COMPACTOR

Model: CB-66B VIBRATORY COMPACTOR 475

Configuration: CB68B, CB66B, CB64B Vibratory Compactor 47500001-UP (MACHINE) POWERED BY C4.4 Engine

Disassembly and Assembly CB64B, CB66B, and CB68B Asphalt Compactors Machine Systems

Media Number -UENR6756-03

Publication Date -01/02/2018

Date Updated -07/02/2018

i06559809

Eccentric Weight - Assemble

SMCS - 6606-016

Assembly Procedure

Table 1

Required Tools			
Tool	Part Number	Part Description	Qty
A	439-3939	Link Bracket As	3
B	8B-7554	Bearing Cup Puller Gp	1
D	1P-0769	Seal Guide	1
E	-	Loctite 243	-
F	281-9276	Seal Installer	1
G	281-9216	Driver	1
H	287-7476	Seal and Cover Driver	1
J	-	Loctite 263 Loctite 270 ⁽¹⁾	-
K	287-7475	Plug Installer	1
L	281-9274	Seal and Cover Driver	1
M	287-7474	Seal and Cover Driver	1

⁽¹⁾ EAME Only

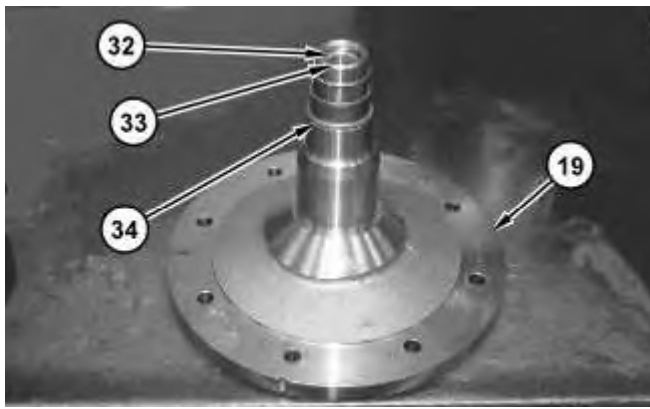


Illustration 1

g01121045

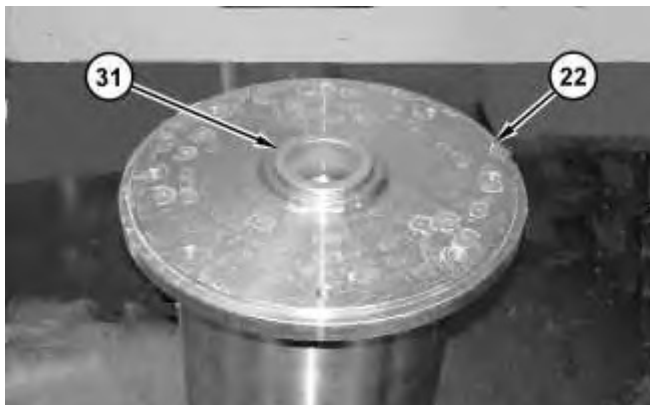


Illustration 2

g01121437

1. Use Tooling (D) and install sleeves (34) on shaft (19). Repeat for opposite shaft (22).
2. Use a suitable press and Tooling (B) to install sleeve bearing (33) in shaft (19).
3. Install oil ring (32) in shaft (19).
4. Use a suitable press and Tooling (B) to install bushing (31) in shaft (22).

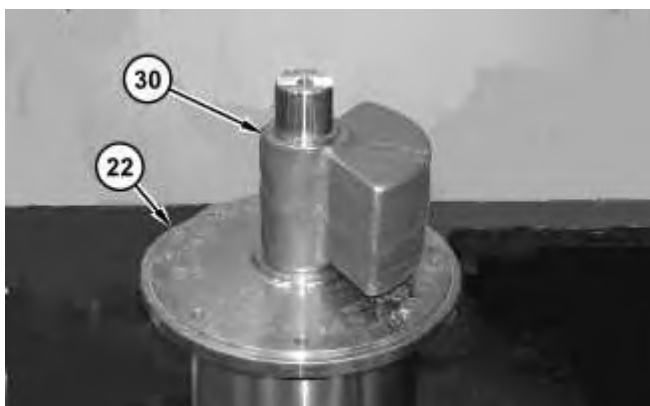


Illustration 3

g01121436



Suggest:

For more complete manuals. Please go to the home page.

<https://www.ebooklibonline.com>

If the above button click is invalid. Please download this document first, and then click the above link to download the complete manual.

Thank you so much for reading

5. Install weight assembly (30) on shaft (22). Position the weight on weight assembly (30) opposite the timing mark on shaft (22).

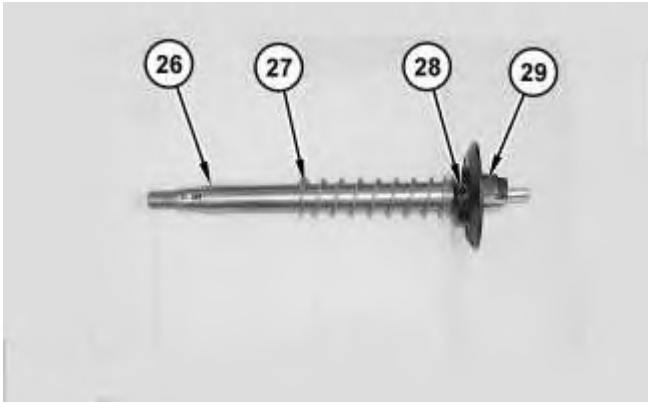


Illustration 4

g01122175

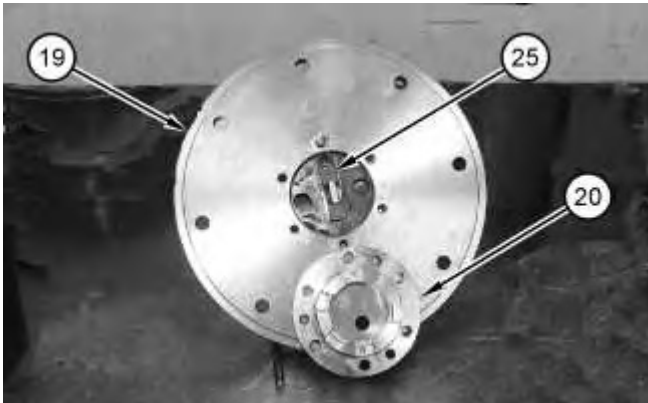


Illustration 5

g01123464

 **WARNING**

Improper assembly of parts that are spring loaded can cause bodily injury.

To prevent possible injury, follow the established assembly procedure and wear protective equipment.

-
6. Position key (29) on shaft (26). Align the timing mark on key (29) with the keyway on shaft (26).
 7. Install roll pin (28) and spring (27).
 8. Install the shaft and key (29). Align the timing mark on key (29) with the timing mark on shaft (20). Align the timing mark on thrust block (25) with the timing mark on key (29).
-

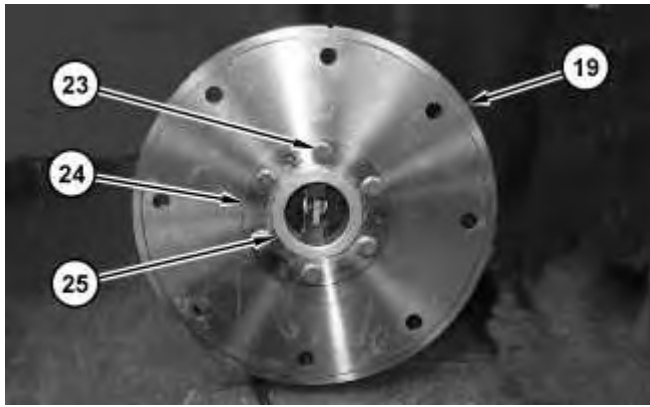


Illustration 6

g01124087

 **WARNING**

Improper assembly of parts that are spring loaded can cause bodily injury.

To prevent possible injury, follow the established assembly procedure and wear protective equipment.

9. Apply Tooling (E) to the threads of bolts (23). Install thrust block (24) and bolts (23) to shaft (19).
10. Use a suitable press and Tooling (B) to install bushing (25) in shaft (19).



Illustration 7

g01121241

11. Align the timing mark on weight (21) with the timing mark on shaft (22). Install weight (21).

<https://www.ebooklibonline.com>

Hello dear friend!

Thank you very much for reading.

Enter the link into your browser.

The full manual is available for immediate download.

<https://www.ebooklibonline.com>