

Product: VIBRATORY COMPACTOR

Model: CB-54 VIBRATORY COMPACTOR K3J

Configuration: CB54 Compactor K3J00001-UP (MACHINE) POWERED BY C4.4 Engine

Disassembly and Assembly

C4.4 Engines for Caterpillar Built Machines

Media Number -KENR6082-19

Publication Date -01/10/2013

Date Updated -21/10/2013

i02930015

Gear Group (Front) - Remove and Install

SMCS - 1206-010

Removal Procedure

Table 1

Required Tools			
Tool	Part Number	Part Description	Qty
A ⁽¹⁾	9U-6198	Crankshaft Turning Tool	1
A ⁽²⁾	9U-7336	Housing	1
	5P-7305	Engine Turning Tool	1
B	230-6284	Timing Pin (Camshaft)	1
C	230-6283	Timing Pin (Crankshaft)	1

⁽¹⁾ The Crankshaft Turning Tool is used on the front pulley.

⁽²⁾ This Tool is used in the aperture for the electric starting motor.

Start By:

- If the engine is equipped with an air compressor, remove the air compressor. Refer to Disassembly and Assembly, "Air Compressor - Remove and Install".
- If the engine is equipped with a vacuum pump, remove the vacuum pump. Refer to Disassembly and Assembly, "Vacuum Pump - Remove and Install".
- If the engine is equipped with an accessory drive, remove the accessory drive. Refer to Disassembly and Assembly, "Accessory Drive - Remove and Install".
- Remove the front cover. Refer to Disassembly and Assembly, "Front Cover - Remove and Install".

- e. Remove the valve mechanism cover. Refer to Disassembly and Assembly, "Valve Mechanism Cover - Remove and Install".

Note: Either Tooling (A) can be used. Use the Tooling that is most suitable.

NOTICE

Keep all parts clean from contaminants.

Contaminants may cause rapid wear and shortened component life.

NOTICE

Care must be taken to ensure that fluids are contained during performance of inspection, maintenance, testing, adjusting and repair of the product. Be prepared to collect the fluid with suitable containers before opening any compartment or disassembling any component containing fluids.

Dispose of all fluids according to local regulations and mandates.

Note: Care must be taken in order to ensure that the fuel injection pump timing is not lost during the removal of the front gear group. Carefully follow the procedure in order to remove the gear group.

1. Use Tooling (A) in order to rotate the crankshaft so that number one piston is at the top center position on the compression stroke. Refer to Systems Operation, Testing and Adjusting, "Finding Top Centre Position for No.1 Piston".
-

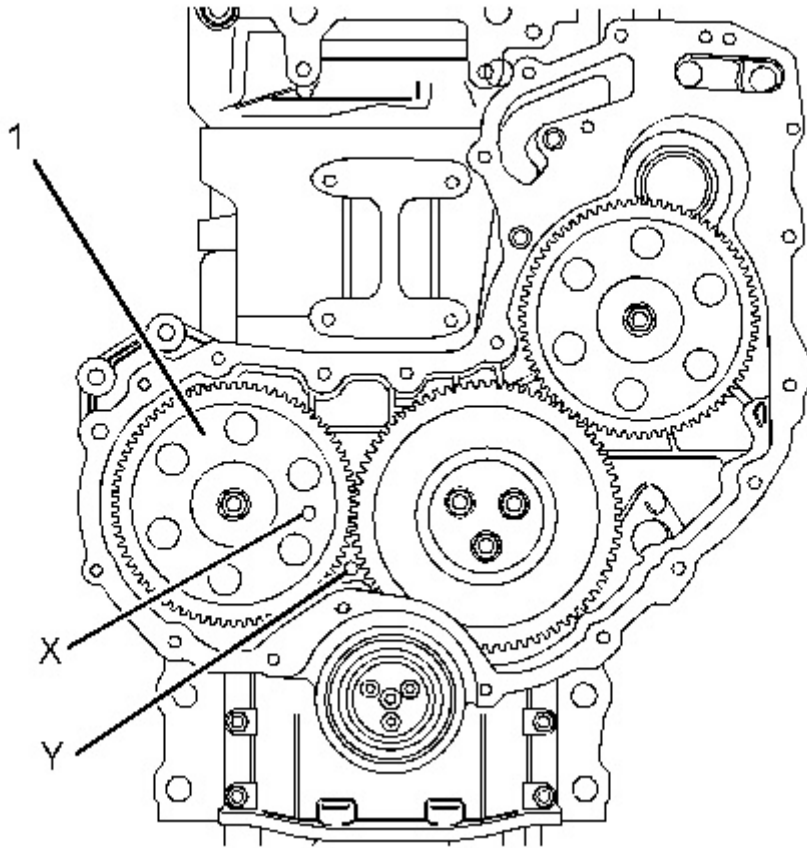


Illustration 1
Typical example

g01471714

2. Install Tooling (B) through Hole (X) in camshaft gear (1) into the front housing. Use Tooling (B) in order to lock the camshaft in the correct position. Install Tooling (C) into Hole (Y) in the front housing. Use Tooling (C) in order to lock the crankshaft in the correct position.

Note: Do not use excessive force to install Tooling (C). Do not use Tooling (C) to hold the crankshaft during repairs.

<https://www.ebooklibonline.com>

Hello dear friend!

Thank you very much for reading.

Enter the link into your browser.

The full manual is available for immediate download.

<https://www.ebooklibonline.com>

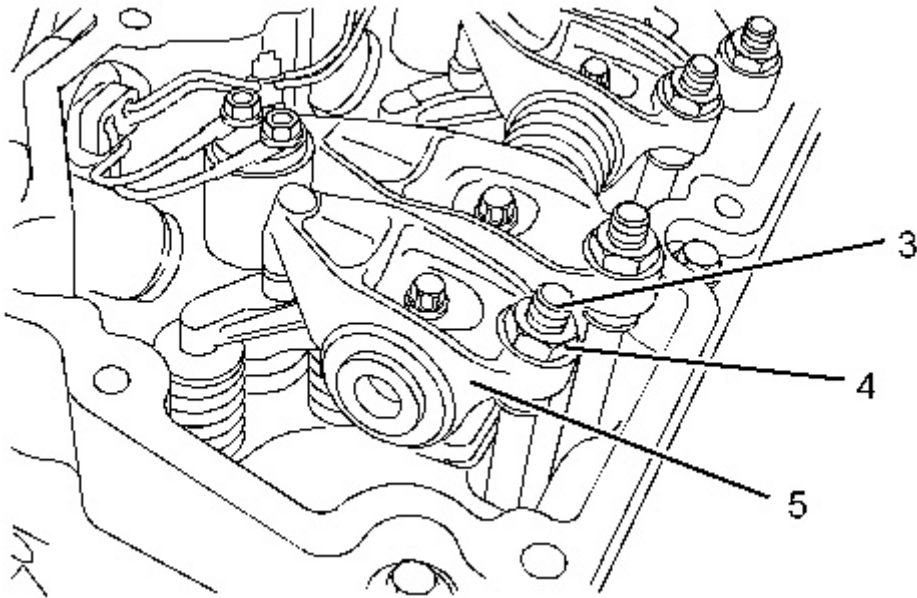


Illustration 2

g01471717

Typical example

3. Loosen nuts (4) on all rocker arms (5). Unscrew adjusters (3) on all rocker arms (5) until all valves are fully closed.

Note: Failure to ensure that ALL adjusters are fully unscrewed can result in contact between the valves and pistons.

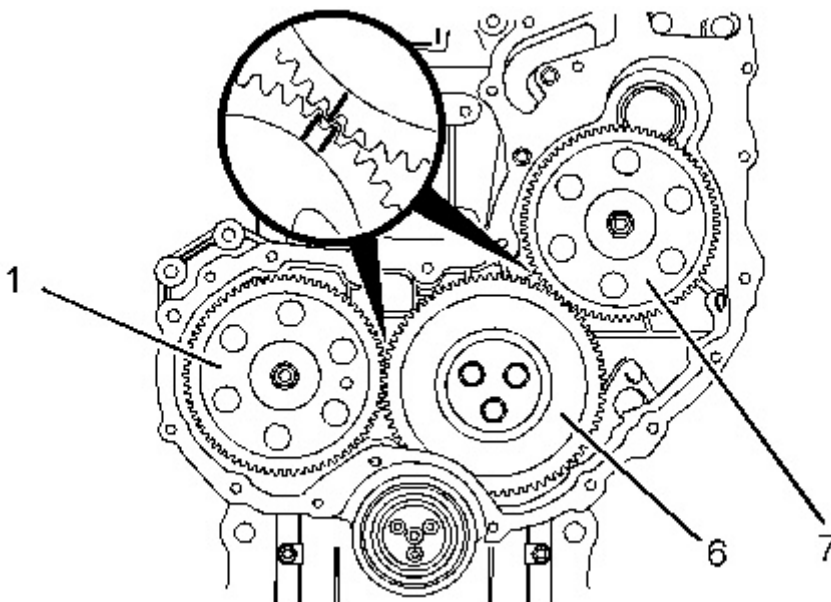


Illustration 3

g01471718

Typical example

4. Apply sufficient pressure to fuel injection pump gear (7) in a counterclockwise direction in order to remove the backlash. Lock the fuel injection pump in this position. Refer to Disassembly and Assembly, "Fuel Pump Gear - Remove" for the correct procedure.

5. Mark gears (1), (6) and (7) in order to show alignment. Refer to Illustration 3.

Note: Identification will ensure that the gears can be installed in the original alignment.

6. Remove fuel pump gear (7). Refer to Disassembly and Assembly, "Fuel Pump Gear - Remove" for the correct procedure.

7. Remove camshaft gear (1). Refer to Disassembly and Assembly, "Camshaft Gear - Remove and Install".

8. Remove idler gear (6). Refer to Disassembly and Assembly, "Idler Gear - Remove".

Installation Procedure

Table 2

Required Tools			
Tool	Part Number	Part Description	Qty
B	230-6284	Timing Pin (Camshaft)	1
C	230-6283	Timing Pin (Crankshaft)	1
D	9U-7324	Indicator Bracket	1
	7H-1942	Dial Indicator	1
	3S-3268	Indicator Contact Point	1
	7H-1940	Universal Attachment	1

NOTICE

Keep all parts clean from contaminants.

Contaminants may cause rapid wear and shortened component life.

Note: The fuel injection pump must remain locked until the procedure instructs you to unlock the fuel injection pump.

1. Ensure that number one piston is at the top center position on the compression stroke. Refer to Systems Operation, Testing and Adjusting, "Finding Top Center Position for No. 1 Piston".

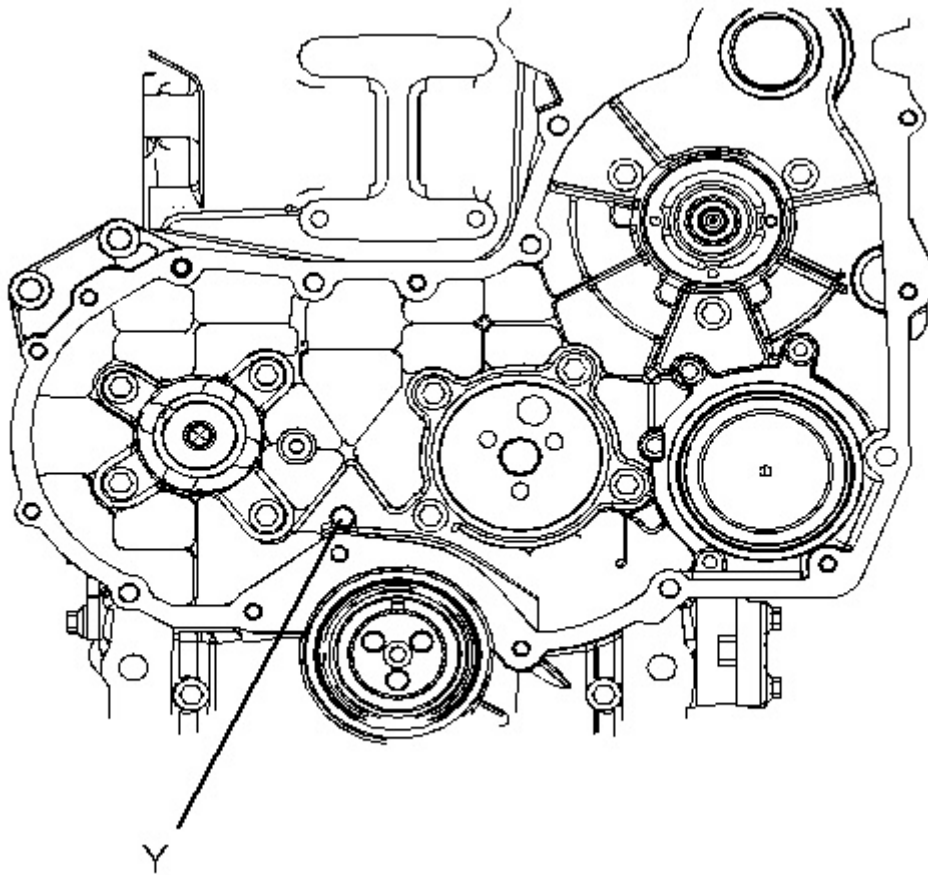


Illustration 4

g01488044

Typical example

2. If necessary, install Tooling (C) into Hole (Y) in the front housing. Use Tooling (C) in order to lock the crankshaft in the correct position.

Note: Do not use excessive force to install Tooling (C). Do not use Tooling (C) to hold the crankshaft during repairs.

3. Ensure that all of the components of the front gear group are clean and free from wear or damage. If necessary, replace any components that are worn or damaged.
-

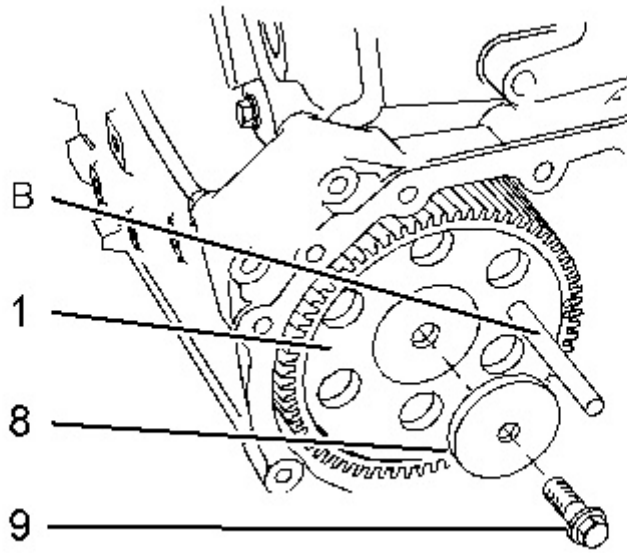


Illustration 5
Typical example

g01471735

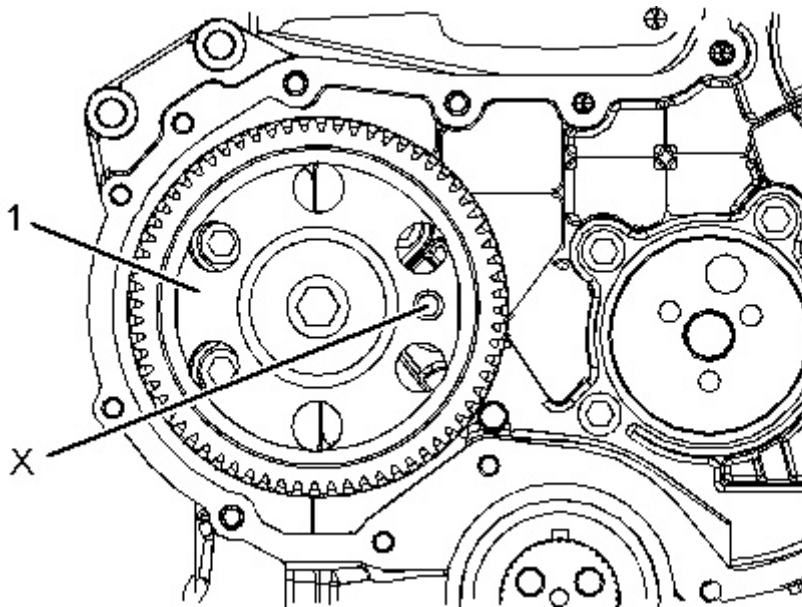


Illustration 6
Typical example

g01488055

4. Install camshaft gear (1). Loosely install bolt (9) and washer (8). Refer to Disassembly and Assembly, "Camshaft Gear - Remove and Install" for more information.
 5. Install Tooling (B) through Hole (X) in camshaft gear (1) into the front housing.
-

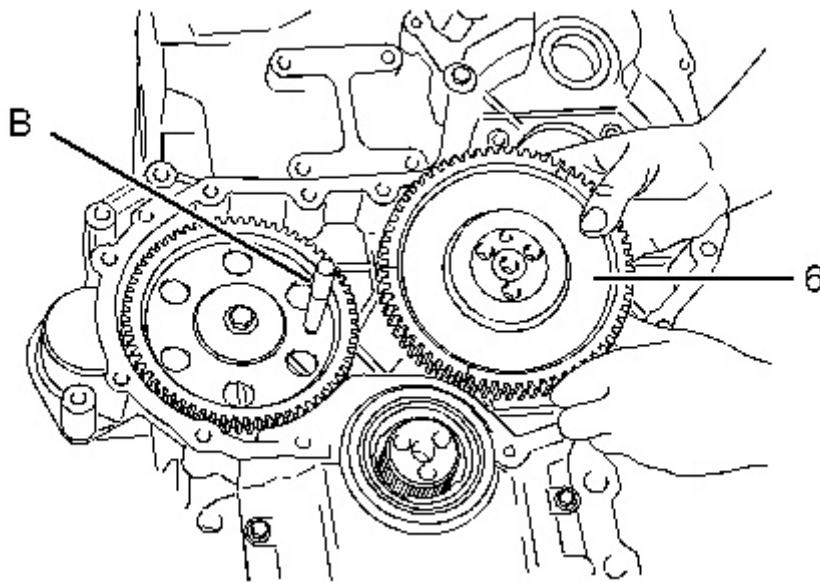


Illustration 7
Typical example

g01471736

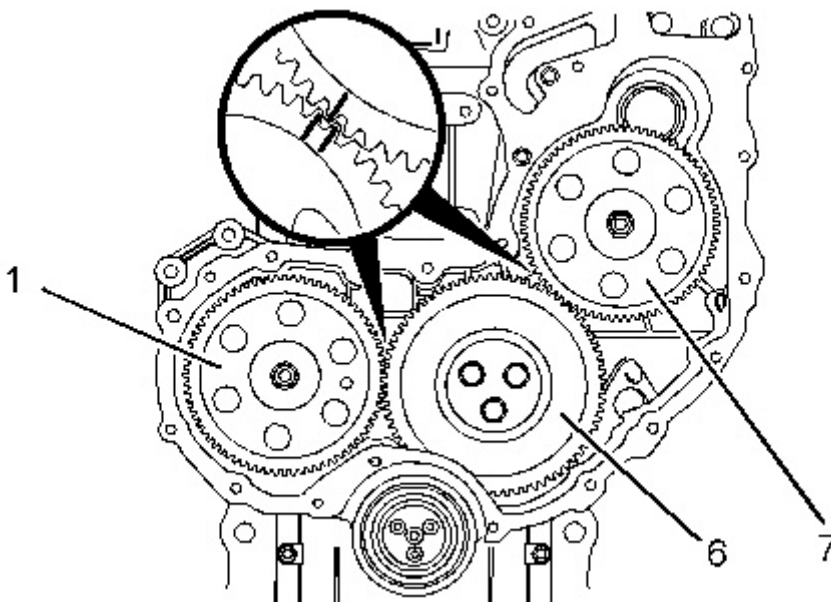


Illustration 8
Alignment of timing marks

g01471718

6. Install idler gear (6). Ensure that the timing marks on gears (1) and (6) are in alignment and that the mesh of the gears is correct. Refer to Disassembly and Assembly, "Idler Gear - Install". Check the end play of the idler gear. Refer to Specifications, "Gear Group (Front)" and refer to Disassembly and Assembly, "Idler Gear - Install" for further information.
7. Remove Tooling (B) and Tooling (C). Tighten bolt (9) for the camshaft gear to a torque of 95 N·m (70 lb ft). Check the end play of the camshaft gear. Refer to Specifications, "Camshaft" for more information.

Install Tooling (B) through Hole (X) in camshaft gear (1) into the front housing and install Tooling (C) into Hole (Y) in the front housing.

8. Ensure that the fuel injection pump is locked in the correct position. Refer to Disassembly and Assembly, "Fuel Injection Pump - Install".
9. Install fuel injection pump gear (7). Refer to Disassembly and Assembly, "Fuel Injection Pump Gear - Install" for the correct procedure. Ensure that timing marks on gear (6) and gear (7) are in alignment. See Illustration 8. Ensure that the mesh of the gears is correct.
10. Remove Tooling (B) and Tooling (C).
11. Use Tooling (D) in order to measure the backlash for gears (1), (6) and (7). Ensure that the backlash for the gears is within specified values. Refer to Specifications, "Gear Group (Front)" for further information.
12. Lubricate each gear with clean engine oil.
13. Adjust the engine valve lash. Refer to Systems Operation, Testing and Adjusting, "Engine Valve Lash - Inspect/Adjust".

End By:

- a. Install the front cover. Refer to Disassembly and Assembly, "Front Cover - Remove and Install".
 - b. Install the valve mechanism cover. Refer to Disassembly and Assembly, "Valve Mechanism Cover - Remove and Install".
 - c. If the engine is equipped with an air compressor, install the air compressor. Refer to Disassembly and Assembly, "Air Compressor - Remove and Install".
 - d. If the engine is equipped with a vacuum pump, install the vacuum pump. Refer to Disassembly and Assembly, "Vacuum Pump - Remove and Install".
 - e. If the engine is equipped with an accessory drive, install the accessory drive. Refer to Disassembly and Assembly, "Accessory Drive - Remove and Install".
-

Product: VIBRATORY COMPACTOR

Model: CB-54 VIBRATORY COMPACTOR K3J

Configuration: CB54 Compactor K3J00001-UP (MACHINE) POWERED BY C4.4 Engine

Disassembly and Assembly C4.4 Engines for Caterpillar Built Machines

Media Number -KENR6082-19

Publication Date -01/10/2013

Date Updated -21/10/2013

i02930021

Idler Gear - Remove

SMCS - 1206-011

Removal Procedure (Latest Heavy-Duty Idler Gear)

Table 1

Required Tools			
Tool	Part Number	Part Description	Qty
A	230-6284	Timing Pin (Camshaft)	1
B	230-6283	Timing Pin (Crankshaft)	1
C	-	Bolt M8x80mm	1

Start By:

- a. If the engine is equipped with an air compressor, remove the air compressor. Refer to Disassembly and Assembly, "Air Compressor - Remove and Install".
- b. If the engine is equipped with a vacuum pump, remove the vacuum pump. Refer to Disassembly and Assembly, "Vacuum Pump - Remove and Install".
- c. If the engine is equipped with an accessory drive, remove the accessory drive. Refer to Disassembly and Assembly, "Accessory Drive - Remove and Install".
- d. Remove the fuel injection pump gear. Refer to Disassembly and Assembly, "Fuel Pump Gear - Remove".
- e. Remove the valve mechanism cover. Refer to Disassembly and Assembly, "Valve Mechanism Cover - Remove and Install".

Note: Care must be taken in order to ensure that the fuel injection pump timing is not lost during the removal of the fuel pump gear. Carefully follow the procedure in order to remove the fuel pump gear.

NOTICE

Keep all parts clean from contaminants.

Contaminants may cause rapid wear and shortened component life.

Note: The assembly of heavy-duty idler gear is not serviceable. Do not disassemble the heavy-duty idler gear.

1. Ensure that number one piston is at the top center position on the compression stroke. Refer to the Systems Operation, Testing and Adjusting, "Finding Top Center Position for No. 1 Piston".

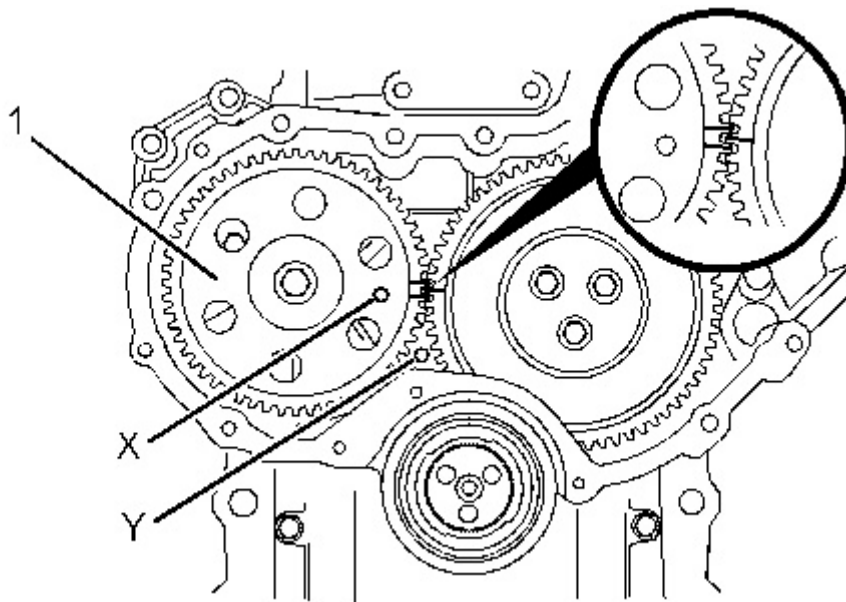


Illustration 1

g01473492

Alignment of timing marks

2. Ensure that Tooling (A) is installed into Hole (X) in camshaft gear (1). Use Tooling (A) in order to lock the camshaft in the correct Position.

Note: Ensure that the gears are marked in order to show alignment.

3. Ensure that Tooling (B) is installed in Hole (Y) in the front housing. Use Tooling (B) in order to lock the crankshaft in the correct Position.
-

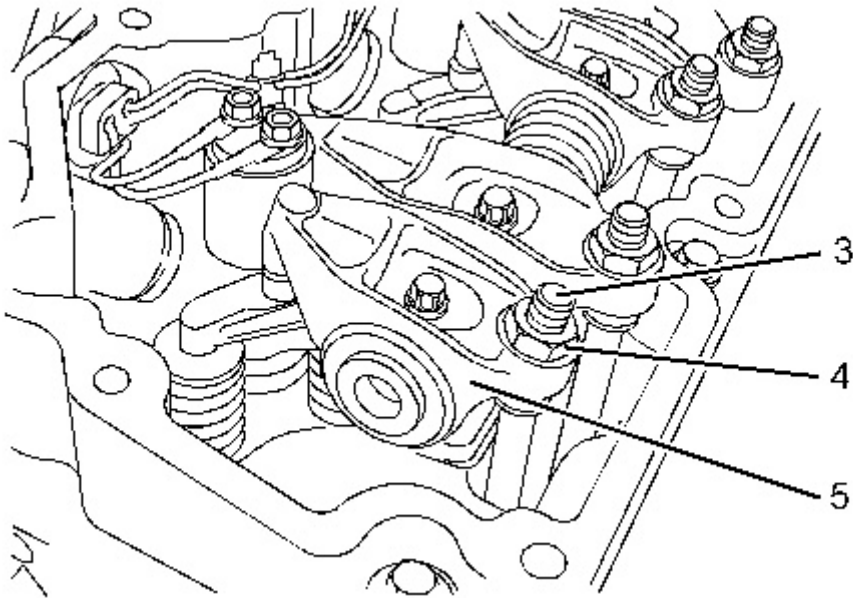


Illustration 2
Typical example

g01473493

4. Loosen nuts (4) on all rocker arms (5). Unscrew adjusters (3) on all rocker arms (5) until all valves are fully closed.

Note: Failure to ensure that ALL adjusters are fully unscrewed can result in contact between the valves and pistons.

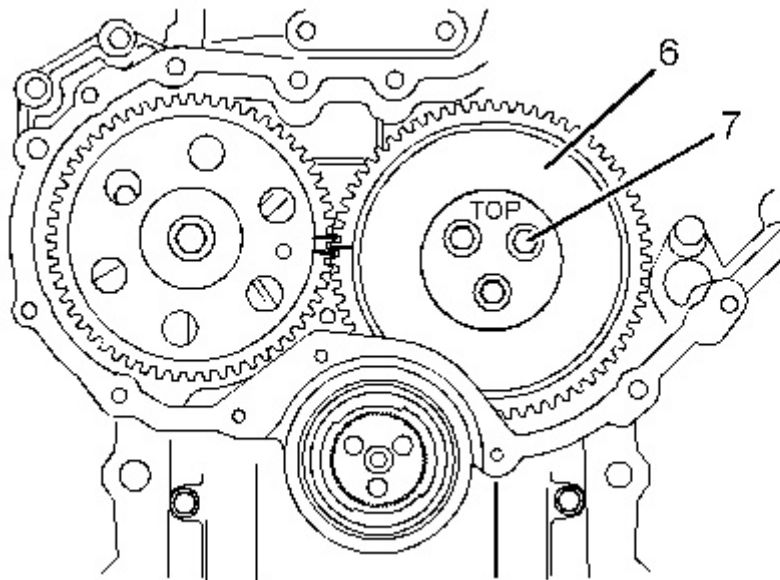


Illustration 3
Typical example

g01473556

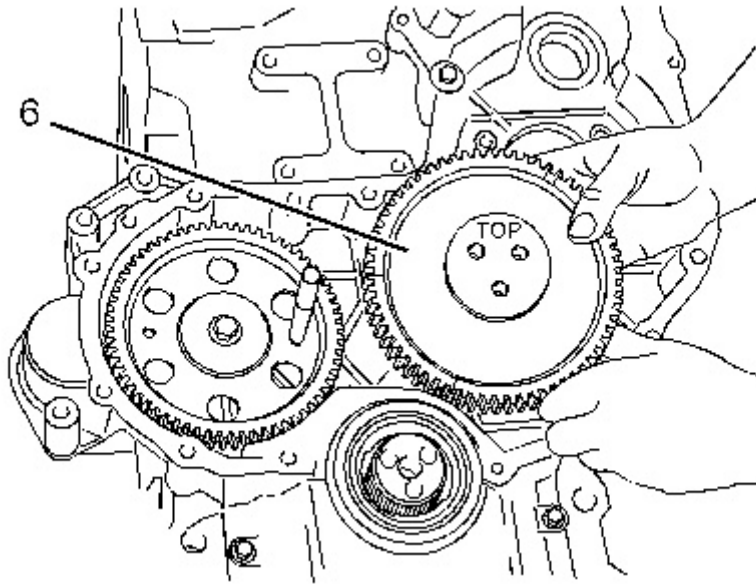
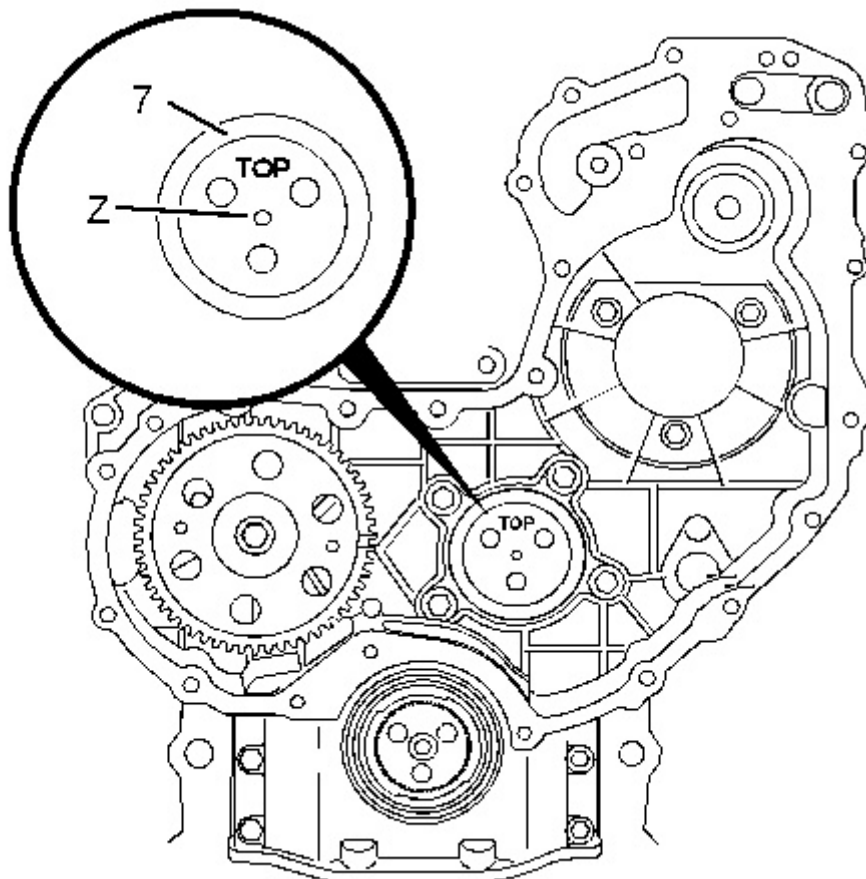


Illustration 4
Typical example

g01473559

5. Remove bolts (7) from the assembly of heavy-duty idler gear (6).
6. Remove the assembly of idler gear (6) from the recess in the front housing.

Note: The idler gear must be tilted during removal.



Typical example

7. If necessary, remove plate (7). Install Tooling (C) into threaded Hole (Z) in order to remove plate (7).
-

Product: VIBRATORY COMPACTOR

Model: CB-54 VIBRATORY COMPACTOR K3J

Configuration: CB54 Compactor K3J00001-UP (MACHINE) POWERED BY C4.4 Engine

Disassembly and Assembly C4.4 Engines for Caterpillar Built Machines

Media Number -KENR6082-19

Publication Date -01/10/2013

Date Updated -21/10/2013

i03500271

Idler Gear - Remove

SMCS - 1206-011

Removal Procedure (Early Heavy-Duty Idler Gear)

Table 1

Required Tools			
Tool	Part Number	Part Description	Qty
A	230-6284	Timing Pin (Camshaft)	1
B	230-6283	Timing Pin (Crankshaft)	1

Start By:

- If the engine is equipped with an air compressor, remove the air compressor. Refer to Disassembly and Assembly, "Air Compressor - Remove and Install".
- If the engine is equipped with a vacuum pump, remove the vacuum pump. Refer to Disassembly and Assembly, "Vacuum Pump - Remove and Install".
- If the engine is equipped with an accessory drive, remove the accessory drive. Refer to Disassembly and Assembly, "Accessory Drive - Remove and Install".
- Remove the fuel injection pump gear. Refer to Disassembly and Assembly, "Fuel Pump Gear - Remove".
- Remove the valve mechanism cover. Refer to Disassembly and Assembly, "Valve Mechanism Cover - Remove and Install".

Note: Care must be taken in order to ensure that the fuel injection pump timing is not lost during the removal of the fuel pump gear. Carefully follow the procedure in order to remove the fuel pump gear.

NOTICE

Keep all parts clean from contaminants.

Contaminants may cause rapid wear and shortened component life.

Note: The assembly of heavy-duty idler gear is not serviceable. Do not disassemble the heavy-duty idler gear.

1. Ensure that number one piston is at the top center position on the compression stroke. Refer to the Systems Operation, Testing and Adjusting, "Finding Top Center Position for No. 1 Piston".
-

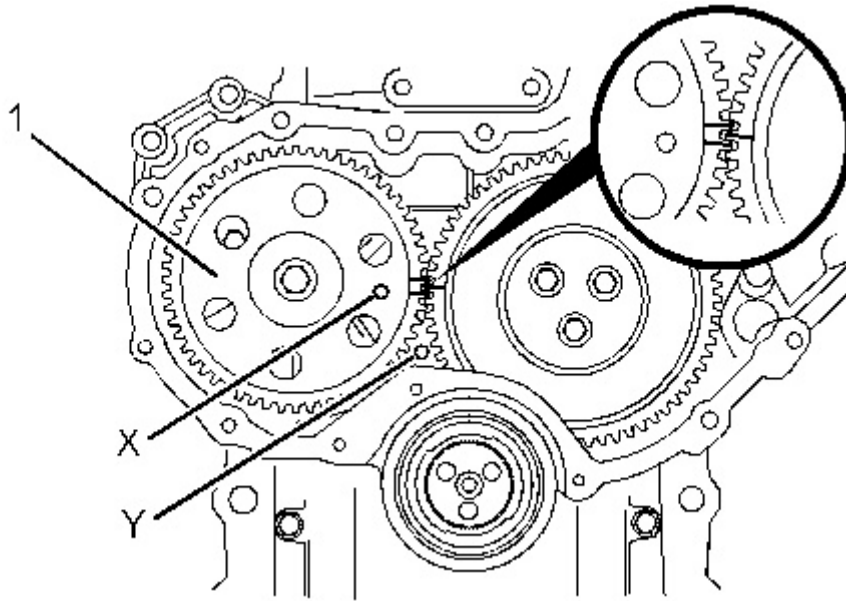


Illustration 1

g01473492

Alignment of timing marks

2. Ensure that Tooling (A) is installed into Hole (X) in camshaft gear (1). Use Tooling (A) in order to lock the camshaft in the correct position.

Note: Ensure that the gears are marked in order to show alignment.

3. Ensure that Tooling (B) is installed in Hole (Y) in the front housing. Use Tooling (B) in order to lock the crankshaft in the correct position.
-

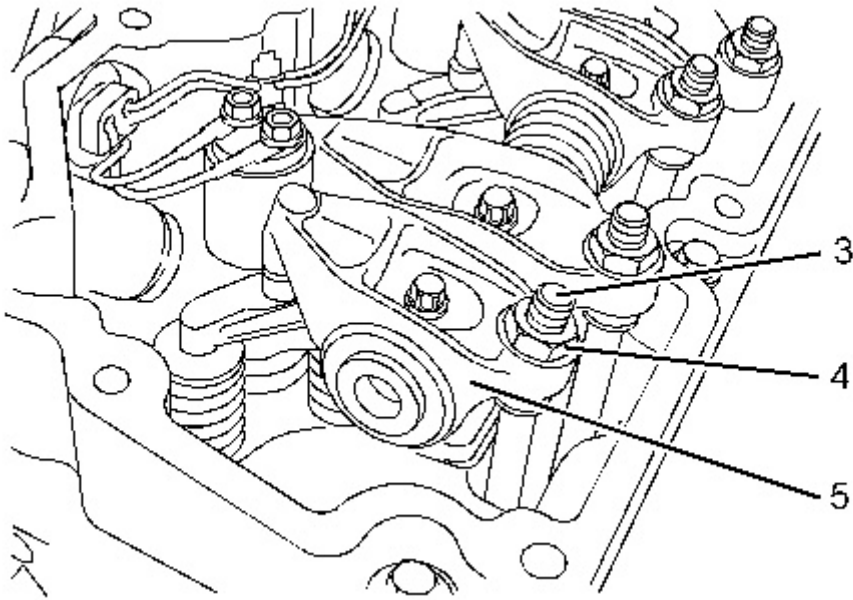


Illustration 2
Typical example

g01473493

4. Loosen nuts (4) on all rocker arms (5). Unscrew adjusters (3) on all rocker arms (5) until all valves are fully closed.

Note: Failure to ensure that ALL adjusters are fully unscrewed can result in contact between the valves and pistons.

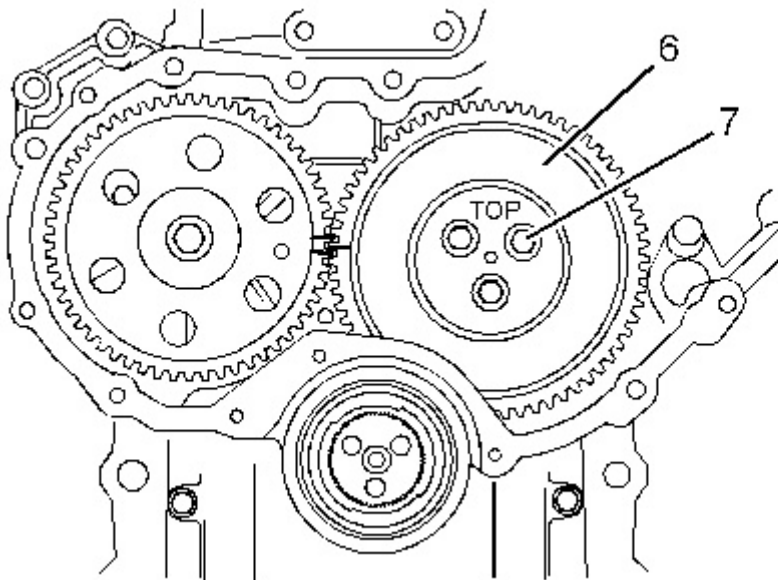


Illustration 3
Typical example

g01473532

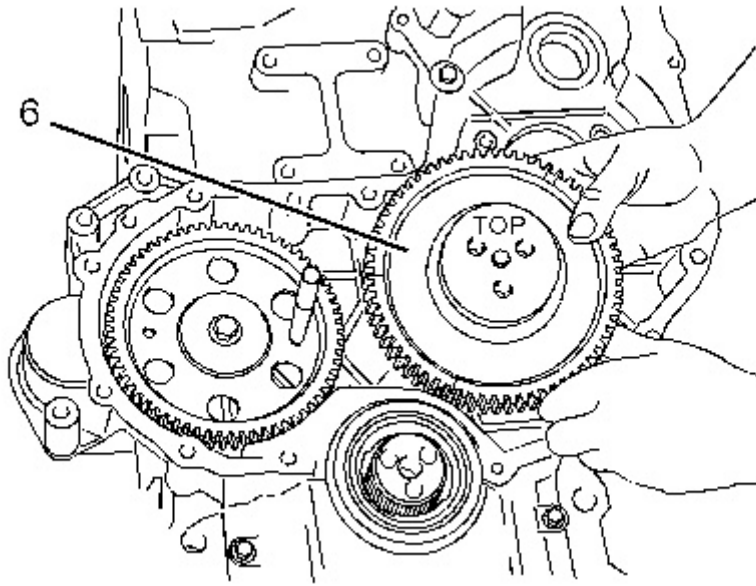


Illustration 4
Typical example

g01473495

5. Remove bolts (7) from the assembly of heavy-duty idler gear (6).
6. Remove the assembly of idler gear (6) from the recess in the front housing.

Note: The idler gear must be tilted during removal.

Product: VIBRATORY COMPACTOR

Model: CB-54 VIBRATORY COMPACTOR K3J

Configuration: CB54 Compactor K3J00001-UP (MACHINE) POWERED BY C4.4 Engine

Disassembly and Assembly C4.4 Engines for Caterpillar Built Machines

Media Number -KENR6082-19

Publication Date -01/10/2013

Date Updated -21/10/2013

i03500266

Idler Gear - Remove

SMCS - 1206-011

Removal Procedure (Standard Idler Gear)

Table 1

Required Tools			
Tool	Part Number	Part Description	Qty
A	230-6284	Timing Pin (Camshaft)	1
B	230-6283	Timing Pin (Crankshaft)	1

Start By:

- a. If the engine is equipped with an air compressor, remove the air compressor. Refer to Disassembly and Assembly, "Air Compressor - Remove and Install".
- b. If the engine is equipped with a vacuum pump, remove the vacuum pump. Refer to Disassembly and Assembly, "Vacuum Pump - Remove and Install".
- c. If the engine is equipped with an accessory drive, remove the accessory drive. Refer to Disassembly and Assembly, "Accessory Drive - Remove and Install".
- d. Remove the fuel injection pump gear. Refer to Disassembly and Assembly, "Fuel Pump Gear - Remove".
- e. Remove the valve mechanism cover. Refer to Disassembly and Assembly, "Valve Mechanism Cover - Remove and Install".

Note: Care must be taken in order to ensure that the fuel injection pump timing is not lost during the removal of the fuel pump gear. Carefully follow the procedure in order to remove the fuel pump gear.

NOTICE

Keep all parts clean from contaminants.

Contaminants may cause rapid wear and shortened component life.

1. Ensure that number one piston is at the top center position on the compression stroke. Refer to the Systems Operation, Testing and Adjusting, "Finding Top Center Position for No. 1 Piston".
-

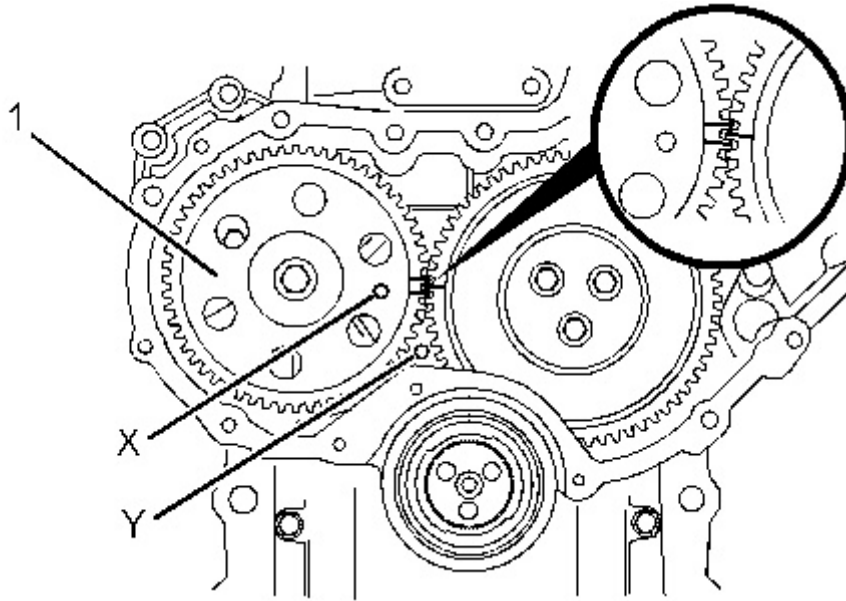


Illustration 1

g01473492

Alignment of timing marks

2. Ensure that Tooling (A) is installed into Hole (X) in camshaft gear (1). Use Tooling (A) in order to lock the camshaft in the correct position.

Note: Ensure that the gears are marked in order to show alignment.

3. Ensure that Tooling (B) is installed in Hole (Y) in the front housing. Use Tooling (B) in order to lock the crankshaft in the correct position.
-



Suggest:

For more complete manuals. Please go to the home page.

<https://www.ebooklibonline.com>

If the above button click is invalid. Please download this document first, and then click the above link to download the complete manual.

Thank you so much for reading

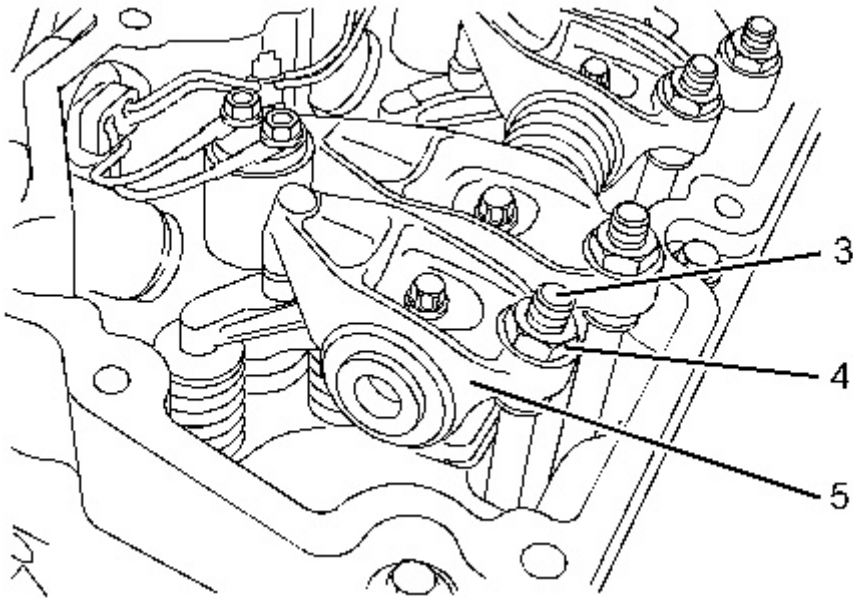


Illustration 2
Typical example

g01473493

4. Loosen nuts (4) on all rocker arms (5). Unscrew adjusters (3) on all rocker arms (5) until all valves are fully closed.

Note: Failure to ensure that ALL adjusters are fully unscrewed can result in contact between the valves and pistons.

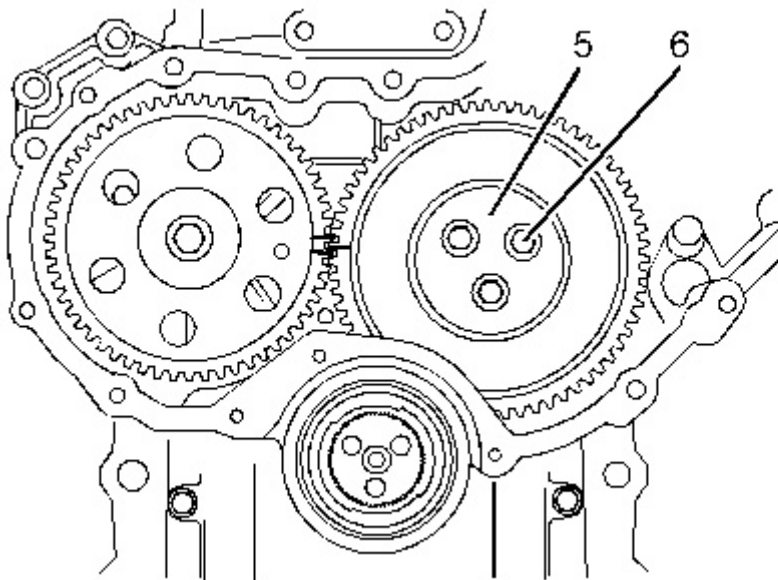


Illustration 3
Typical example

g01473497

5. Mark plate (5) in order to show orientation.

Note: Identification will ensure that the plate can be installed in the original orientation.

6. Remove bolts (6).

7. Remove plate (5).

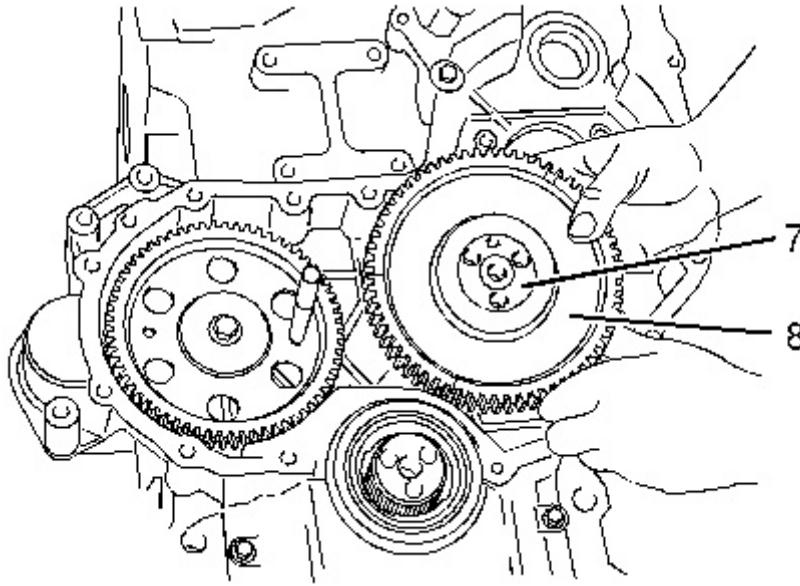


Illustration 4

g01473494

Typical example

8. Remove the assembly of idler gear (8) and hub (7) from the recess in the front housing.

Note: The idler gear must be tilted during removal.

9. Remove hub (7) from idler gear (8).

<https://www.ebooklibonline.com>

Hello dear friend!

Thank you very much for reading.

Enter the link into your browser.

The full manual is available for immediate download.

<https://www.ebooklibonline.com>