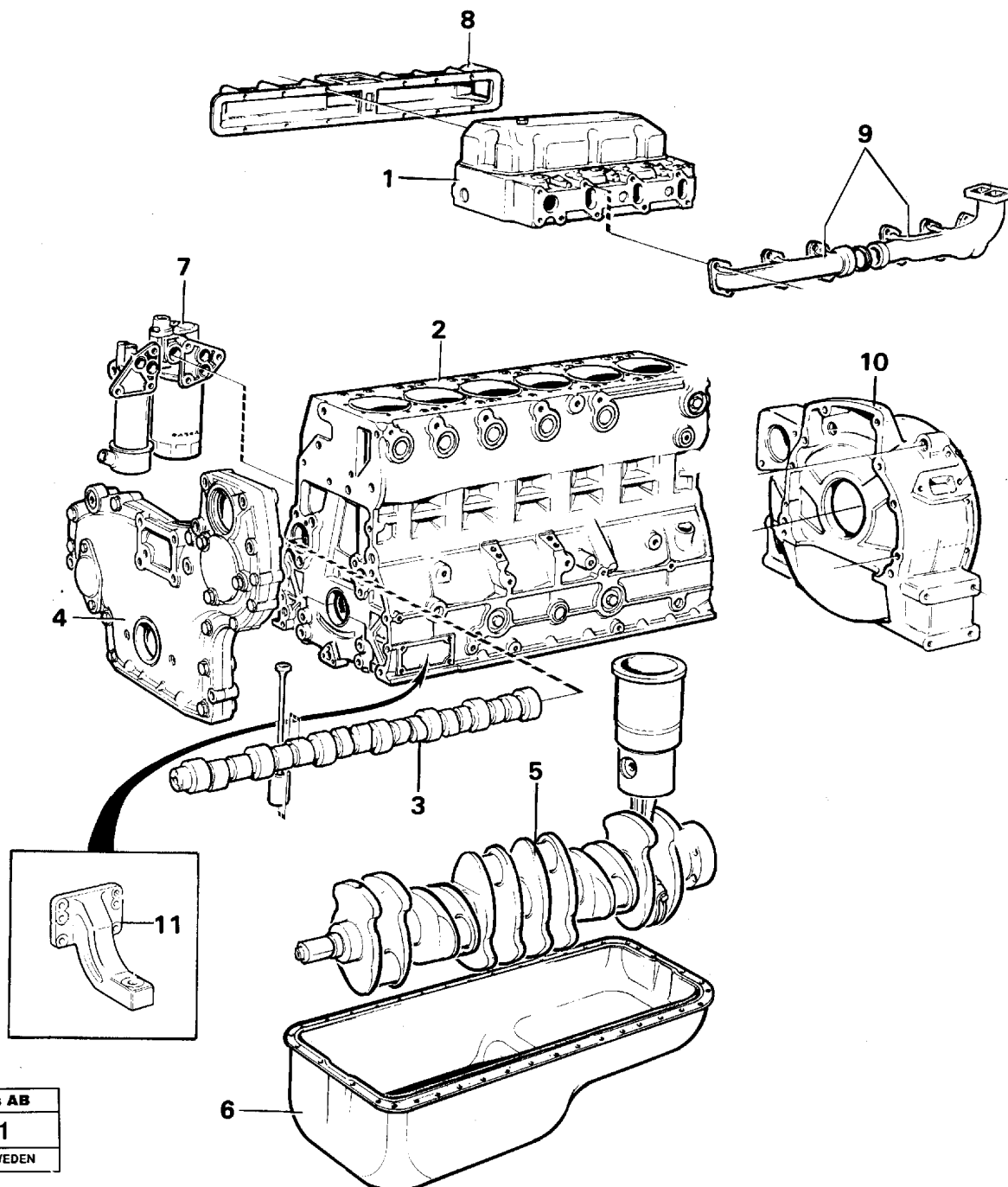


VOLVO

Construction Equipment

Date: 2014/1/27	Image id: AL301	Catalogue: 97745	Model: L70B
Brand: Volvo BM	Serial: 10101-11245	Group/Section: 210/100	Title: Engine, assembly

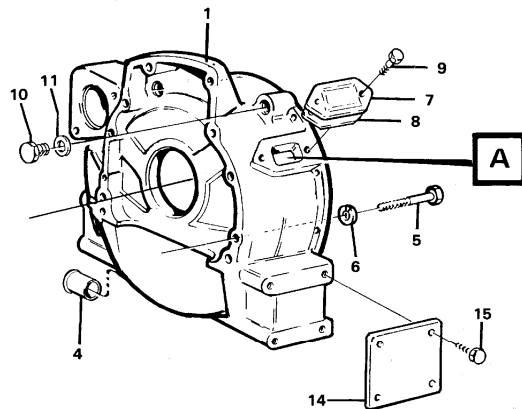


Q1-Q5	Option	Option description	
Q1	TD61GD		
Q2	TD63KDE		

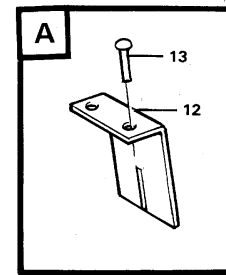
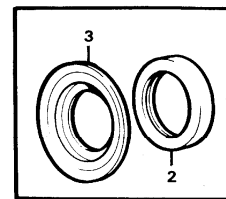
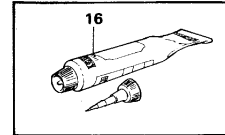
Pos	Part	Q1	Q2	Q3	Q4	Q5	PS	Kit	Description	Option(s)	Remark
-----	------	----	----	----	----	----	----	-----	-------------	-----------	--------

	VOE15003904	1							Engine		(VOE497998)TD61GD
	VOE15003907		1						Engine		(VOE497999)TD63KDE
1									Cylinder head		See ref 211/50
2									Cylinder block		See ref 212/50
3									Camshaft		See ref 215/100
4									Timing gear casing		See ref 215/50
5									Crank mechanism		See ref 216/50
6									Oil sump		See ref 217/50
7									Oil filter		See ref 222/50
8		1							Inlet manifold		See ref 251/50
9		1	1						Exhaust pipe		See ref 251/100
10		1	1						Flywheel housing		(VOE4772142) See ref 210/150
11									Engine mounting		See ref 218/50

Date: 2014/1/27	Image id: AL299	Catalogue: 97745	Model: L70B
Brand: Volvo BM	Serial: 10101-11245	Group/Section: 210/150	Title: Flywheel housing



VME Parts AB
AL 299
PRINTED IN SWEDEN



Pos	Part	Q1	Q2	Q3	Q4	Q5	PS	Kit	Description	Option(s)	Remark
1	VOE11030715	1							Flywheel housing		
2	VOE477119	1							•Crankshaft seal		
3	VOE4770016	1							•Oil Catcher		
4	VOE739393	1							•Tube		
5	VOE13966361	2							Flange screw		L = 55mm
	VOE13966363	2							Flange screw		L = 65mm
	VOE13966365	3							Flange screw		L = 80mm
	VOE13966367	1							Flange screw		L = 100mm
	VOE13966371	1							Flange screw		L = 140mm
	VOE13974572	1							Flange screw		L = 160mm
6	VOE955899	10							Washer		
7	VOE4772168	1							Cover		
8	VOE4804167	1							Gasket		
9	VOE13946544	2							Screw		

<https://www.ebooklibonline.com>

Hello dear friend!

Thank you very much for reading.

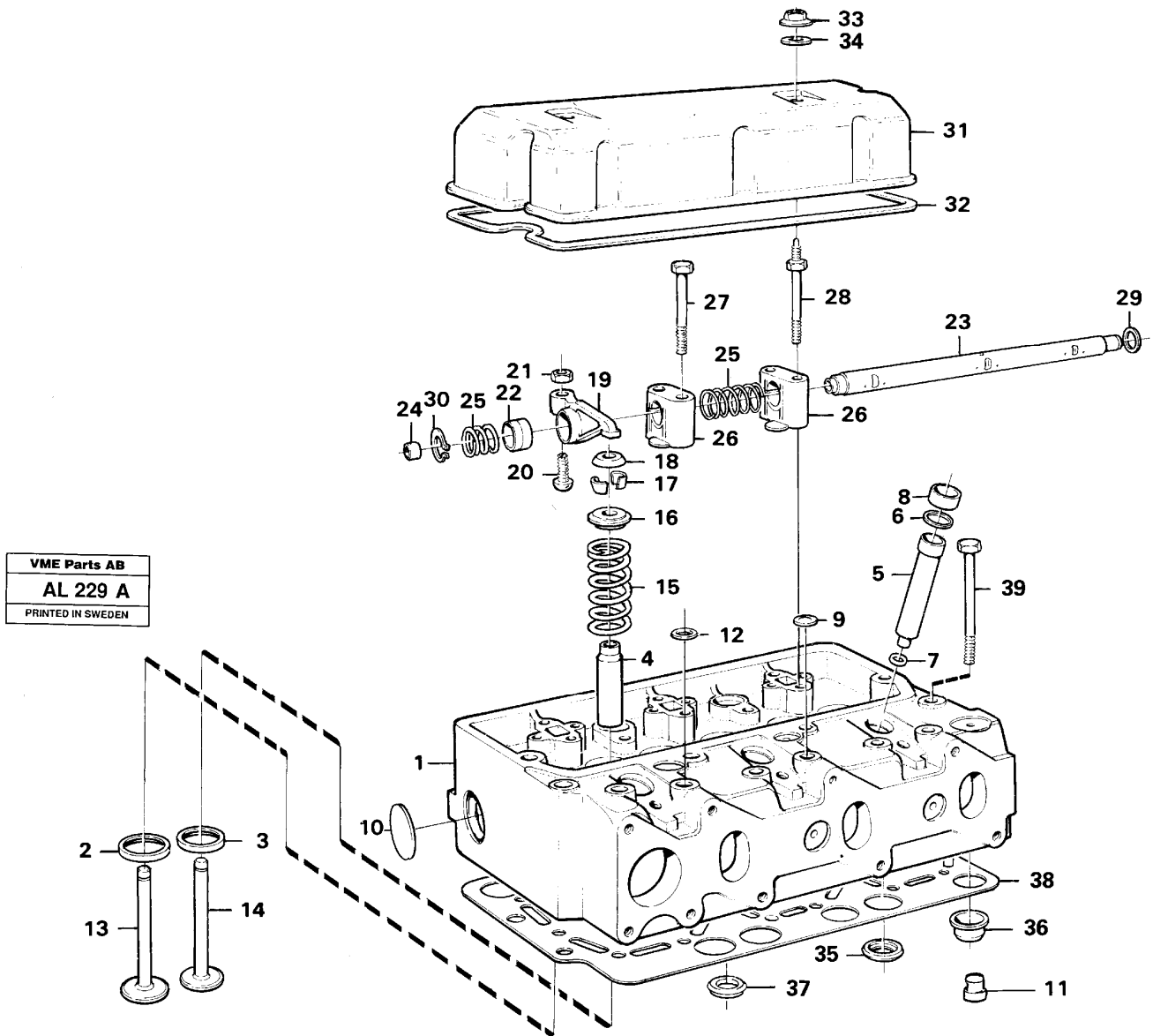
Enter the link into your browser.

The full manual is available for immediate download.

<https://www.ebooklibonline.com>

10	VOE960630	1							Plug		
11	VOE13969011	1							Gasket		
12	VOE4771328	1							Setting indicator		
13	VOE905654	2							Drive screw		
14	VOE11030887	1							Cover		SER NO - 11483
	VOE11030887	2							Cover		SER NO 11484 -
15	VOE13970969	4							Hexagon screw		SER NO - 11483
	VOE13970969	8							Hexagon screw		SER NO 11484 -
16	VOE1161277	REQ							Sealant		20G

Date: 2014/1/27	Image id: AL229A	Catalogue: 97745	Model: L70B
Brand: Volvo BM	Serial: 10101-11245	Group/Section: 211/50	Title: Cylinder head



Q1-Q5	Option	Option description
Q1 TD61GD		
Q2 TD63KDE		

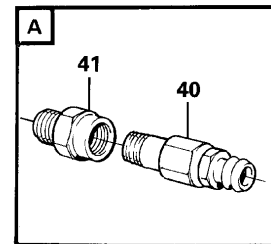
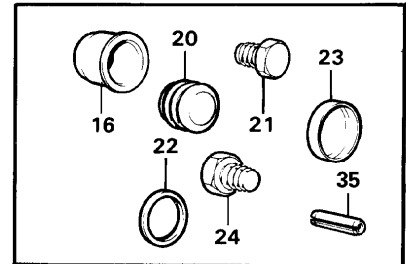
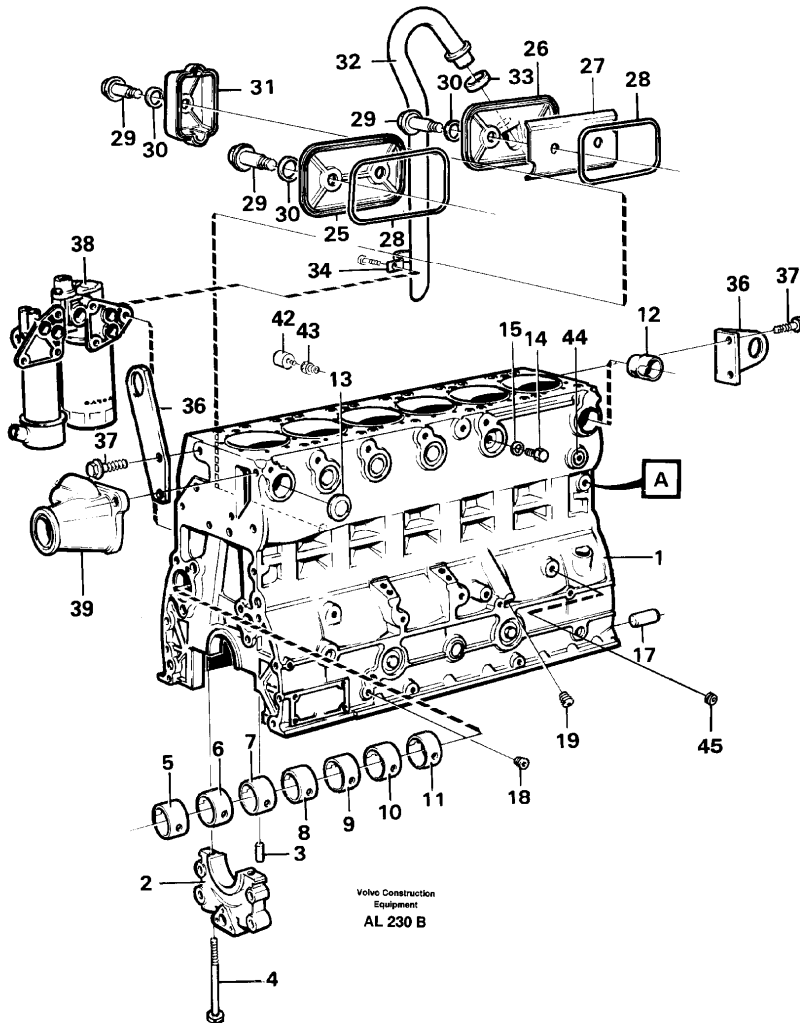
Pos	Part	Q1	Q2	Q3	Q4	Q5	PS	Kit	Description	Option(s)	Remark
	VOE420508	2							Cylinder head		
	VOE420878		2						Cylinder head		
1		2					NS		•Cylinder head		
			2				NS		•Cylinder head		
2	VOE465158	6							••Valve seat		STD D, INLET

	VOE420874		6						••Valve seat		STD D, INLET
	VOE465238	6							••Valve seat		0,20 O SZ
	VOE420876		6						••Valve seat		0,20 O SZ
3	VOE465155	6							••Valve seat		STD D, EXHAUST
	VOE420875		6						••Valve seat		STD D, EXHAUST
	VOE465236	6							••Valve seat		0,20 O SZ
	VOE420877		6						••Valve seat		0,20 O SZ
4	VOE477792	12	12						••Valve guide		
5	VOE8192085	6	6						••Sleeve		(VOE466404)
6	VOE466405	6	6						••Sealing ring		
7	VOE466922	6	6						••Sealing ring		
8	VOE466420	6	6						••Ring		
9	VOE477026	14	14						••Expansion plug		
10	VOE477024	8	8						••Expansion plug		
11	VOE465420	2	2						••Nozzle		
12	VOE947626	4	4						••Gasket		
13	VOE420553	6	6				SS		•Inlet valve		
14	VOE8192143	6							•Exhaust valve		(VOE465549)
	VOE8192143		6						•Exhaust valve		(VOE465549)ENG NO - 115762
	VOE8192143		6						•Exhaust valve		ENG NO 115763 -
15	VOE465233	12	12						•Valve spring		
16	VOE465550	12	12						•Washer		
17	VOE1677875	24	24						•Valve Collet		
18	VOE465551	12	12						•Protecting sleeve		
19	VOE7420129	6	6						Rocker arm		(VOE420129)INLET
	VOE420132	6	6						Rocker arm		EXHAUST
20	VOE422993	12	12						•Bolt		(VOE423058)
21	VOE940175	12	12						•Nut		
22	VOE420125	12	12						•Bushing		(VOE7420125)
23	VOE465790	2	2						Shaft		
24	VOE13955083	4	4						•Cap plug		(VOE955083)
25	VOE411139	4	4						Spring		
26	VOE1665204	6	6						Bearing Bracket		(VOE465793)
27	VOE471513	8	8						Screw		
28	VOE471512	4	4						Screw		
29	VOE7400722	4	4						Shim		(VOE400722)
30	VOE914456	4	4						Retaining ring		
31	VOE465951	2	2						Valve cover		
32	VOE465952	2	2						Gasket		
33	VOE465961	4	4						Cap nut		
34	VOE471856	4	4						Sealing ring		
	VOE276821	2	2						Gasket kit		(275774)
35	VOE465784	24	24						•Sealing		
36	VOE466421	32	32						•Sealing ring		
37	VOE422413	4	4						•Sealing ring		
38		2	2				NS		•Cylinder head		

VOLVO

Construction Equipment

Date: 2014/1/27	Image id: AL230B	Catalogue: 97745	Model: L70B
Brand: Volvo BM	Serial: 10101-11245	Group/Section: 212/50	Title: Cylinder block

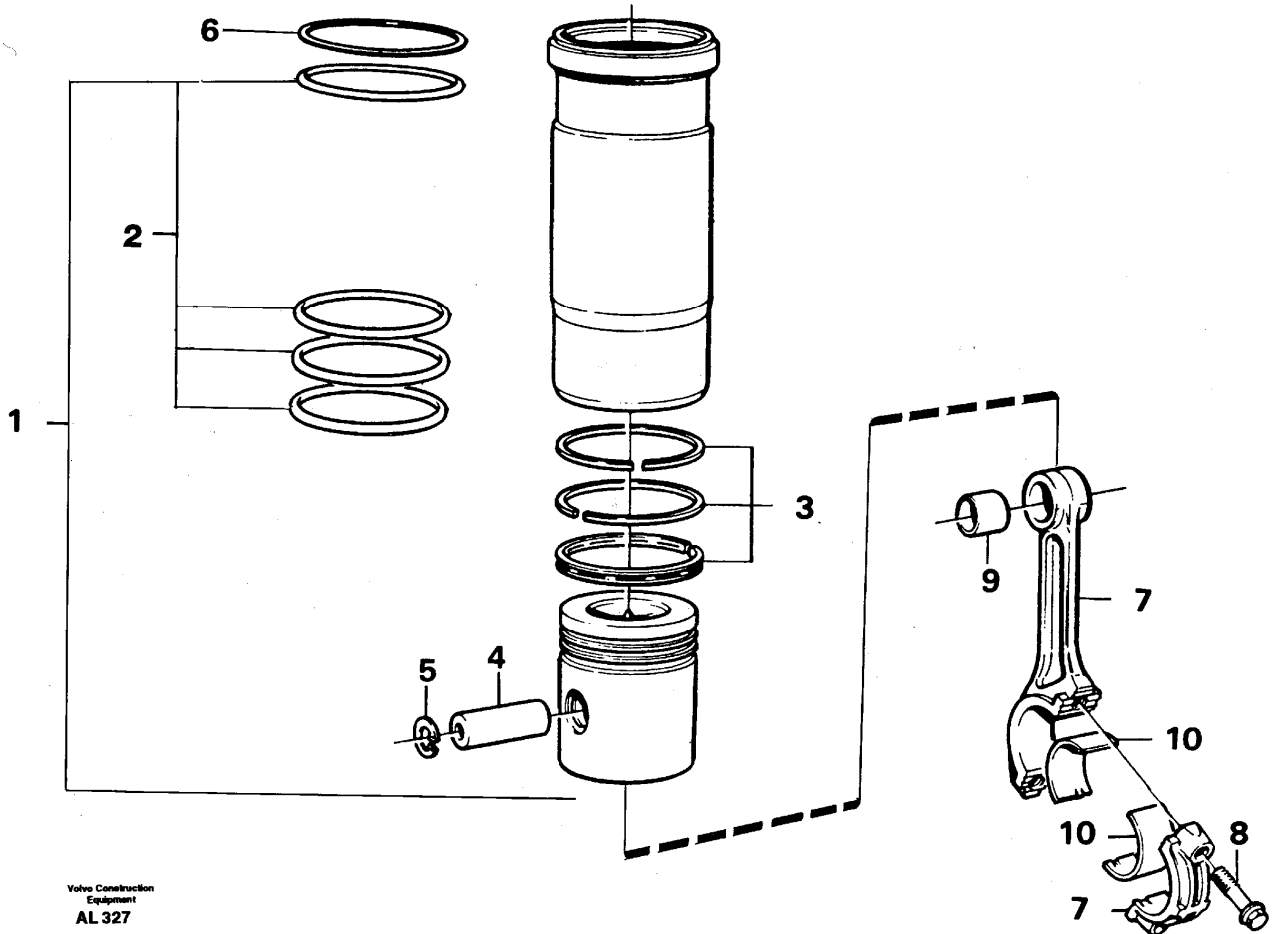


Volvo Construction
Equipment
AL 230 B

Pos	Part	Q1	Q2	Q3	Q4	Q5	PS	Kit	Description	Option(s)	Remark
1	VOE420990	1							Cylinder block		
2		7					NS		•Cap		
3	VOE422426	7							••Pin		
4	VOE465899	14							••Screw		
5	VOE422076	1							•Bushing		
6	VOE422077	1							•Bushing		(VOE7422077)
7	VOE422078	1							•Bushing		
8	VOE11000014	1							•Bushing		(VOE422079)
9	VOE422080	1							•Bushing		(VOE7422080)
10	VOE422081	1							•Bushing		
11	VOE422082	1							•Bushing		
12	VOE421154	6							•Nozzle		

13	VOE13968955	4							•Expansion plug		
	VOE955082	6							•Cap plug		
14	VOE467367	2							•Plug		(VOE467649)
15	VOE1556907	2							•Gasket		(VOE469328)
16	VOE422369	7							•Plug		
17	VOE191171	2							•Pin		(VOE191171)
18	VOE952075	2							•Plug		1/4"NPTF
19	VOE968145	3							•Plug		3/8"NPTF,(952076)
20	VOE476279	1							Protecting cap		
21	VOE960630	1							Plug		
22	VOE13947621	1							Plane gasket		(VOE947621)
23	VOE955082	1							Cap plug		
24	VOE479979	5							Plug		(VOE191026)1/8"NPTF
25	VOE420120	1							Inspection lid		
26	VOE420121	1							Hatch		
27	VOE3978045	1							Splash plate		(VOE471858)
28	VOE421121	2							Gasket		
29	VOE471855	5							Screw		
30	VOE471856	5							Sealing ring		
31	VOE471854	1							Cover		
32	VOE848497	1							Breather pipe		
33	VOE421158	1							Sealing ring		
34	VOE968124	1							Clamp		ENG - 92860
35	VOE951974	1							Spring pin		
36		1					NS		Lifting eye		FRAM/FRONT
		2					NS		Lifting eye		BAK/REAR
37	VOE13965191	1							Screw		(VOE965191)L=30
38		1							Oil filter housing		See ref 222/50
39		1							Conn housing		See ref 262/50
40	VOE13947893	1							Crane		(VOE947893)
41	VOE479954	1							Nipple		(VOE7190130)
42	VOE11039249	1							Pressure monitor		SE 16
43	VOE835980	1							Nipple		
	VOE862109	1							Nipple		TD63KDE
44	VOE420589	1							Expansion plug		
45	VOE968060	1							Plug		ENG 131711 -

Date: 2014/1/27	Image id: AL327	Catalogue: 97745	Model: L70B
Brand: Volvo BM	Serial: 10101-11245	Group/Section: 213/50	Title: Cylinder liner

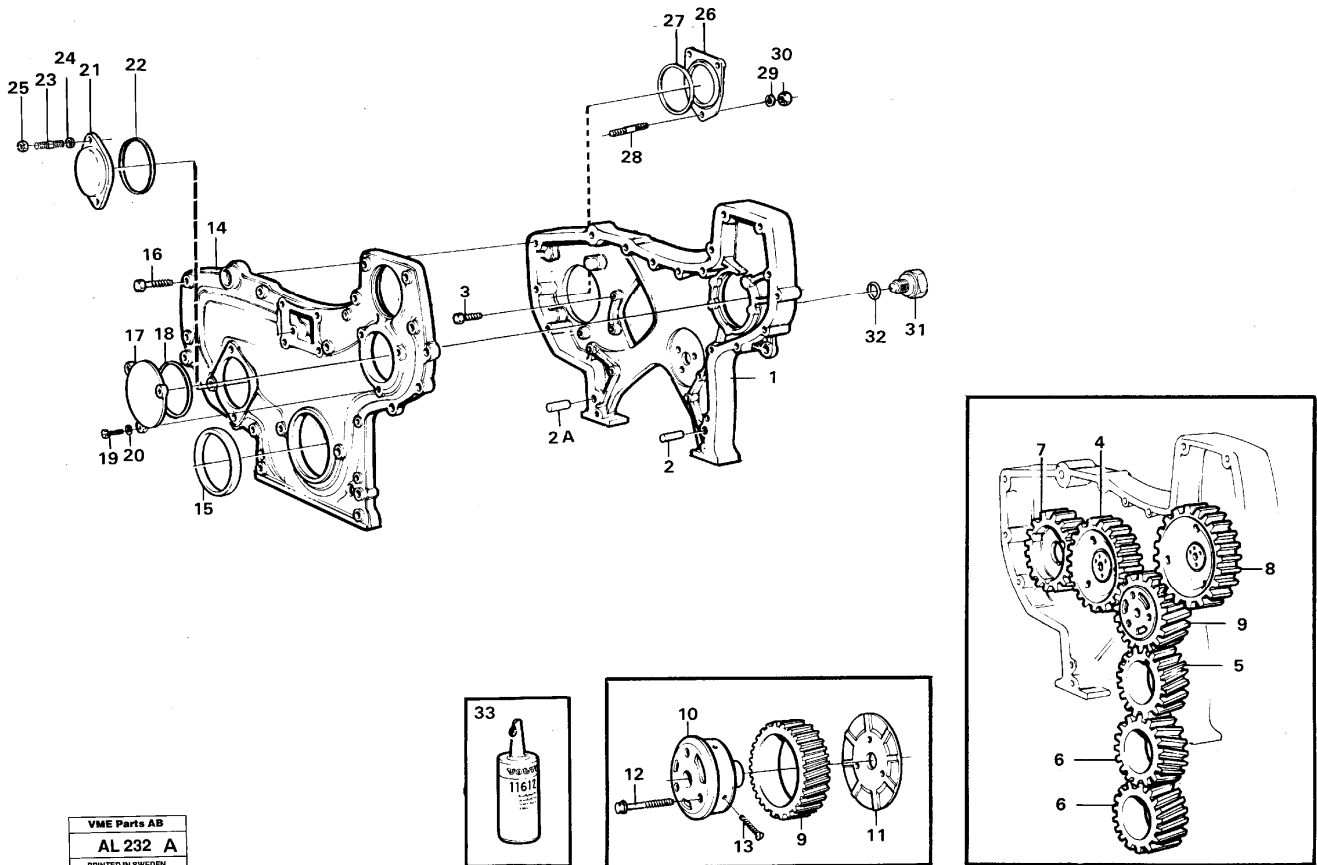


Q1-Q5	Option	Option description	
Q1 TD61GD			
Q2 TD63KDE			

Pos	Part	Q1	Q2	Q3	Q4	Q5	PS	Kit	Description	Option(s)	Remark
1	VOE275394	6							Cylinder liner kit		
	VOE275648		6				SS		Cylinder liner kit		
		6	6				NS		•Cylinder liner		
2	VOE271161	6	6						•Seg Ring Kit		(VOE275772)
		6	6				NS		••Sealing strip		ÖVRE/UPPER
		18	18				NS		••Sealing strip		NEDRE/LOWER
3	VOE270713	6							•Piston Ring Kit		(VOE275376)STD D
	VOE276310		6						•Piston Ring Kit		
4	VOE3978023	6	6						•Piston Pin		
5	VOE914523	12	12						•Snap Ring		

6	VOE465394	REQ	REQ						Shim		THICK = 0,20 MM
	VOE465395	REQ	REQ						Shim		THICK = 0,30 MM
	VOE465396	REQ	REQ						Shim		THICK = 0,50 MM
7	VOE3092237	6	6						Connecting Rod		(VOE465812)
8	VOE465815	2	2						•Screw		
9	VOE465816	1	1						•Bushing		
10	VOE270139	6	6						Piston Bearing		STD D
	VOE270140	6	6						Big End Brg Kit		0.25MM U SZ
	VOE270141	6	6						Big End Brg Kit		0.50MM U SZ
	VOE270142	6	6						Big End Brg Kit		0,75MM U SZ

Date: 2014/1/27	Image id: AL232A	Catalogue: 97745	Model: L70B
Brand: Volvo BM	Serial: 10101-11245	Group/Section: 215/50	Title: Timing gear casing

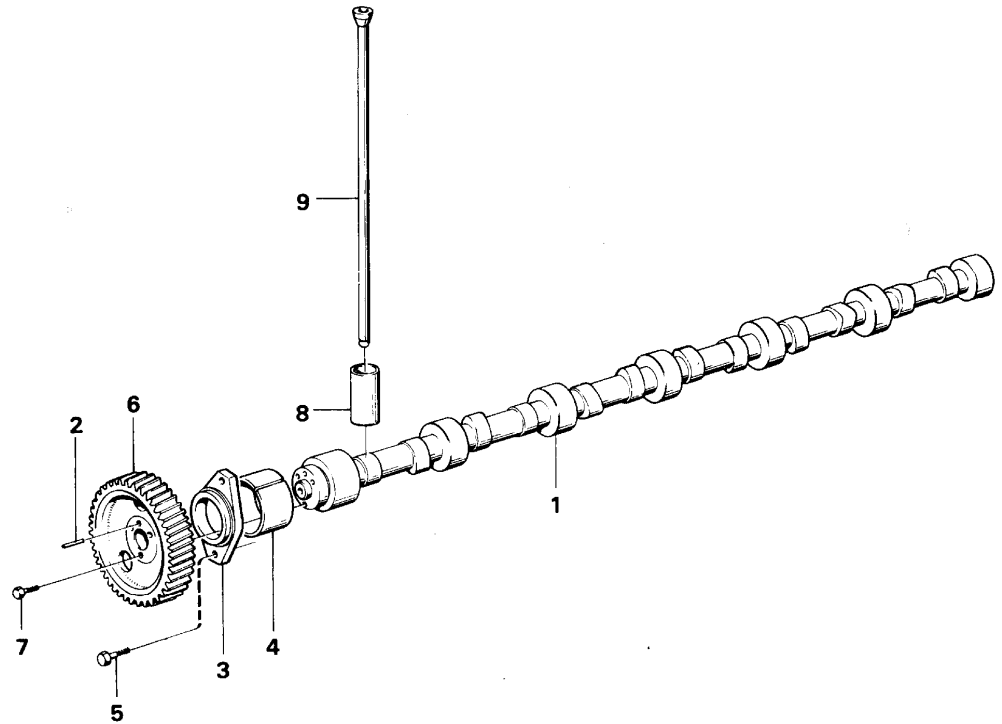


VME Parts AB
AL 232 A
PRINTED IN SWEDEN

Pos	Part	Q1	Q2	Q3	Q4	Q5	PS	Kit	Description	Option(s)	Remark
1	VOE465797	1							Tmg Gear Casing		
2	VOE13941510	1							Pin		(VOE941510)
2A	VOE13941511	1							Pin		(VOE941511)
3	VOE471534	2							Screw		L=28
	VOE471535	2							Screw		L=58
4		1							Gear		See ref 215/100
5		1							Gear		See ref 216/50
6		2							Oilpump gear		See ref 221/50
7		1							Compressor gear		
8		1							Gear,inject.pump		See ref 236/50
9	VOE8192518	1							Idler Gear		(VOE471552)
		1					NS		•Bearing		
10	VOE422766	1					SS		Pin		(VOE467463)
11	VOE478951	1							Thrust Washer		(VOE467529)
12	VOE471554	3							Screw		
13	VOE471555	3							Screw		

14	VOE8192590	1							Tmg Gear Cover		(VOE8192052)(471562)
	VOE8192590	1							Tmg Gear Cover		(8192052)
15	VOE477118	1							•Sealing ring		
16	VOE13947760	7							Flange screw		(VOE947760)L=40
	VOE13948217	2							Flange screw		(VOE948217)L=45
	VOE13965216	1							Screw		(VOE965216)L=55
	VOE13965182	4							Flange screw		(VOE965182)L=80
	VOE13965183	2							Flange screw		(VOE965183)L=90
	VOE965225	1							Flange screw		(VOE966343)L=35
	VOE13965189	2							Flange screw		(VOE965189)L=90
17	VOE471559	1							Cap		
18	VOE925257	1							O-ring		
19	VOE13945444	3							Flange screw		(VOE945444)
20	VOE13941907	3							Spring Washer		(VOE941907)
21	VOE465735	1							Cap		
22	VOE925094	1							O-ring		(VOE465058)
23	VOE479971	1							Stud		M10*40*25
	VOE479972	1							Stud		M10*45*30 TD63KDE
	VOE479973	1							Stud		M10*80*65
24	VOE955895	2							Washer		
25	VOE13971095	2							Flange nut		
26	VOE420178	1							Cover		
27	VOE13975610	1							O-ring		(VOE413619)
28	VOE967951	3							Stud		
29	VOE955899	3							Washer		
30	VOE13971097	3							Flange nut		(VOE965484)
31	VOE13960632	1							Plug		(VOE960632)
32	VOE13947624	2							Plane Gasket		(VOE7011998)
33	VOE1161277	1							Sealant		20G

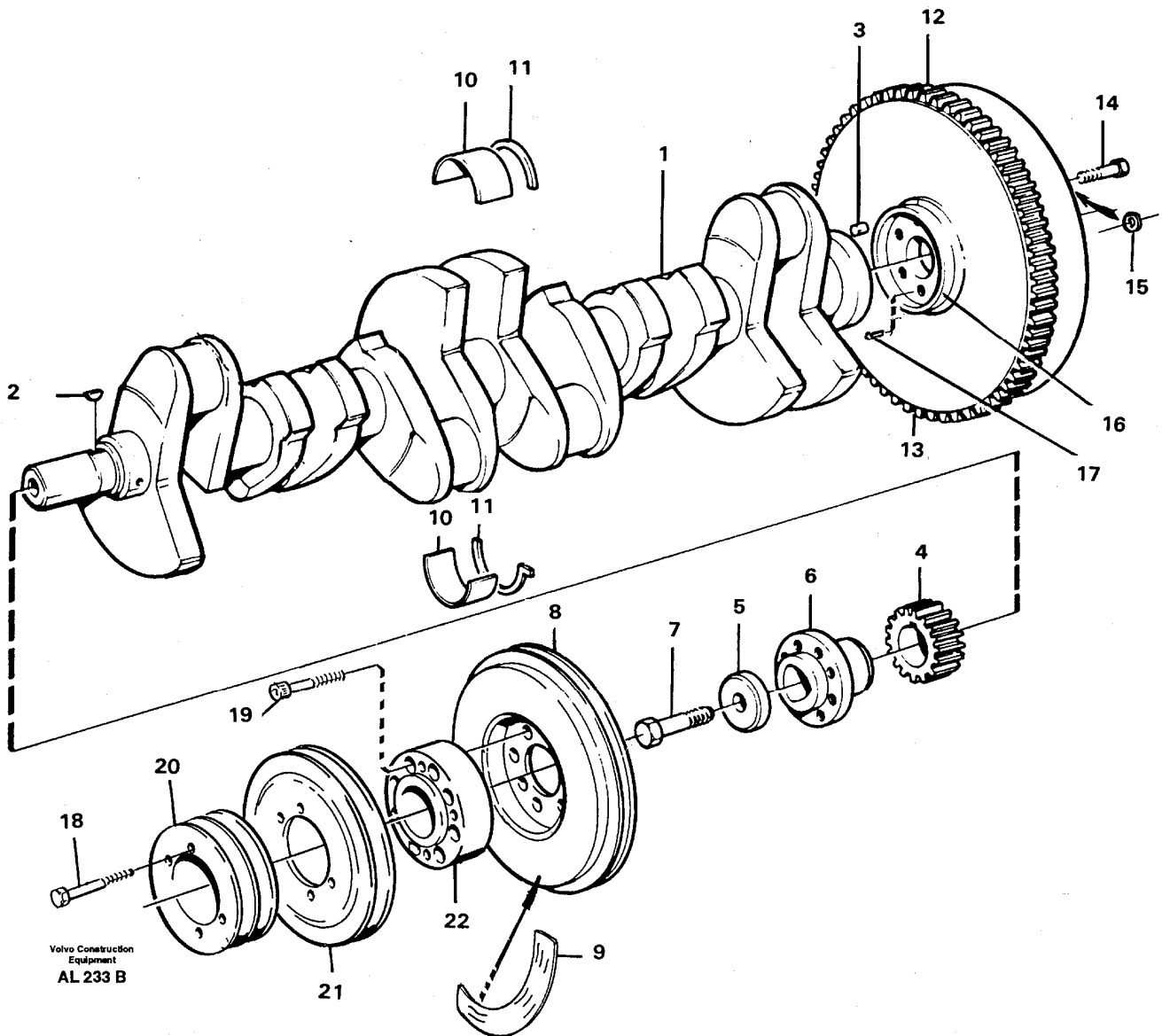
Date: 2014/1/27	Image id: AL231A	Catalogue: 97745	Model: L70B
Brand: Volvo BM	Serial: 10101-11245	Group/Section: 215/100	Title: Camshaft



VME Parts AB
AL 231 A
PRINTED IN SWEDEN

Pos	Part	Q1	Q2	Q3	Q4	Q5	PS	Kit	Description	Option(s)	Remark
1	VOE465787	1							Camshaft		
		1					NS		•Camshaft		
2	VOE950588	1							•Pin		
3	VOE465789	1							Flange		
4		7							Bearing bushing		See ref 212/50
5	VOE471509	2							Screw		
6	VOE478297	1							Gear		
7	VOE471555	3							Screw		
8	VOE421067	12							Tappet		
9	VOE420021	12							Rod		

Date: 2014/1/27	Image id: AL233B	Catalogue: 97745	Model: L70B
Brand: Volvo BM	Serial: 10101-11245	Group/Section: 216/50	Title: Crankshaft and related parts



Volvo Construction
Equipment
AL 233 B

Q1-Q5	Option	Option description
Q1 TD61GD		
Q2 TD63KDE		

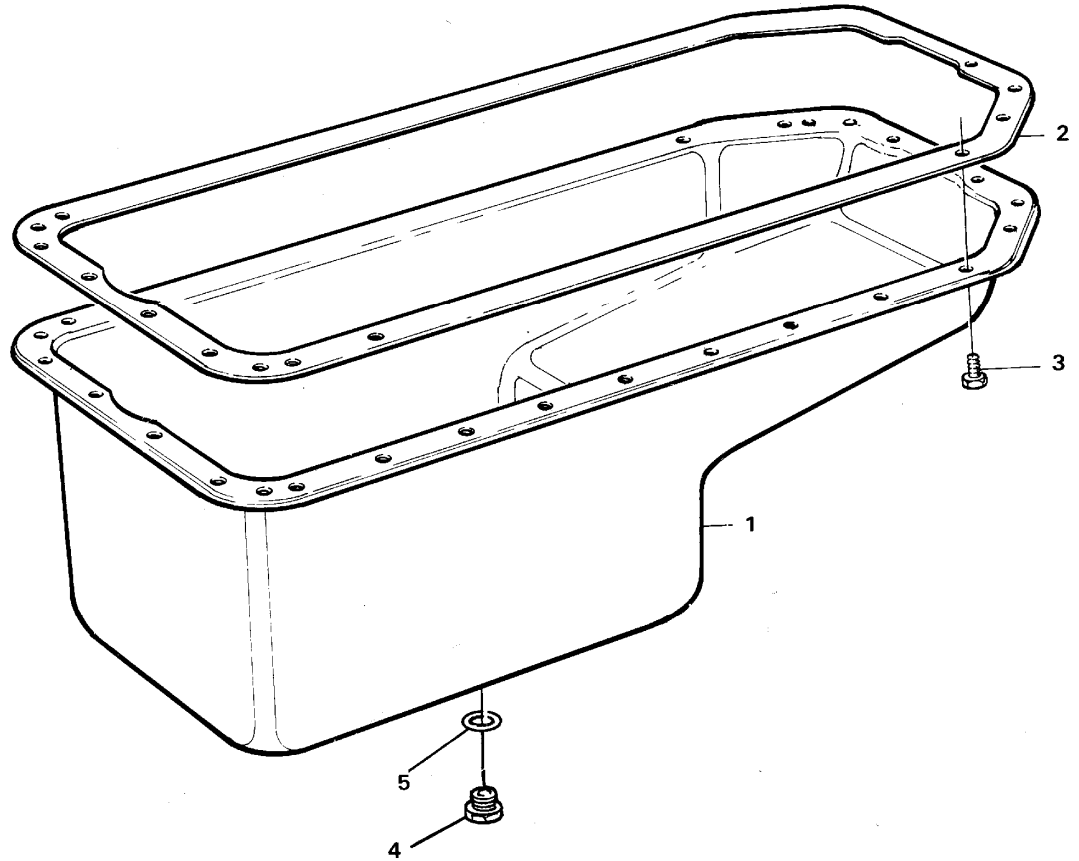
Pos	Part	Q1	Q2	Q3	Q4	Q5	PS	Kit	Description	Option(s)	Remark
1	VOE420662	1	1				SS		Crankshaft		(VOE465798)ENG 106089
1	VOE8192122	1	1				SS		Crankshaft		ENG 106090 -
2	VOE422253	1	1						•Key		
3	VOE950677	1	1						Pin		

4	VOE471528	1	1						Gear		
5	VOE420124	1	1						Washer		
6	VOE465779	1	1						Hub		
7	VOE470366	1	1						Screw		
8	VOE421515	1	1						Vibration damper		
9	VOE467834	1	1						Sign		
10	VOE271230	7	7						Main bearing kit		STD D
	VOE271231	7	7						Main bearing kit		0,254 MM U SZ
	VOE271232	7	7						Main bearing kit		0,508 MM U SZ
	VOE271233	7	7						Main bearing kit		0,762 MM U SZ
	VOE271234	7	7						Main bearing kit		1,016 MM U SZ
11	VOE276751	1	1						Thrust washer kit		STD SZ
	VOE276752	1	1						Thrust washer		(VOE7276752)0,10 O SZ
	VOE276753	1	1						Thrust washer		(VOE7276753)0,20 MM O SZ
12	VOE11030708	1	1				OP		Flywheel		ENG - 106089
12	VOE11030936	1	1						Flywheel		ENG 106090 -
13	VOE420314	1	1						•Gear ring		
14	VOE978899	6	6						Hexagon screw		ENG - 106089
14	VOE978899	9	9						Hexagon screw		ENG 106090 -
15	VOE467773	6	6						Washer		ENG - 106089
15	VOE467773	9	9						Washer		ENG 106090 -
16	VOE786589	1	1						Deflector		
17	VOE905654	4	4						Drive screw		
18	VOE471529	8	8						Screw		ENG - 108523
	VOE13965187	4	4						Screw		ENG 108524 -
19	VOE4772247	8	8						Screw		ENG 108524 -
20	VOE4772117	1	1						Pulley		ENG - 108523
	VOE11030942	1	1						Pulley		ENG 108524 -
21	VOE4772217	1	1						Pulley		ENG 108524 -
22	VOE4772218	1	1						Hub		ENG 108524 -

VOLVO

Construction Equipment

Date: 2014/1/27	Image id: AL234	Catalogue: 97745	Model: L70B
Brand: Volvo BM	Serial: 10101-11245	Group/Section: 217/50	Title: Oil sump



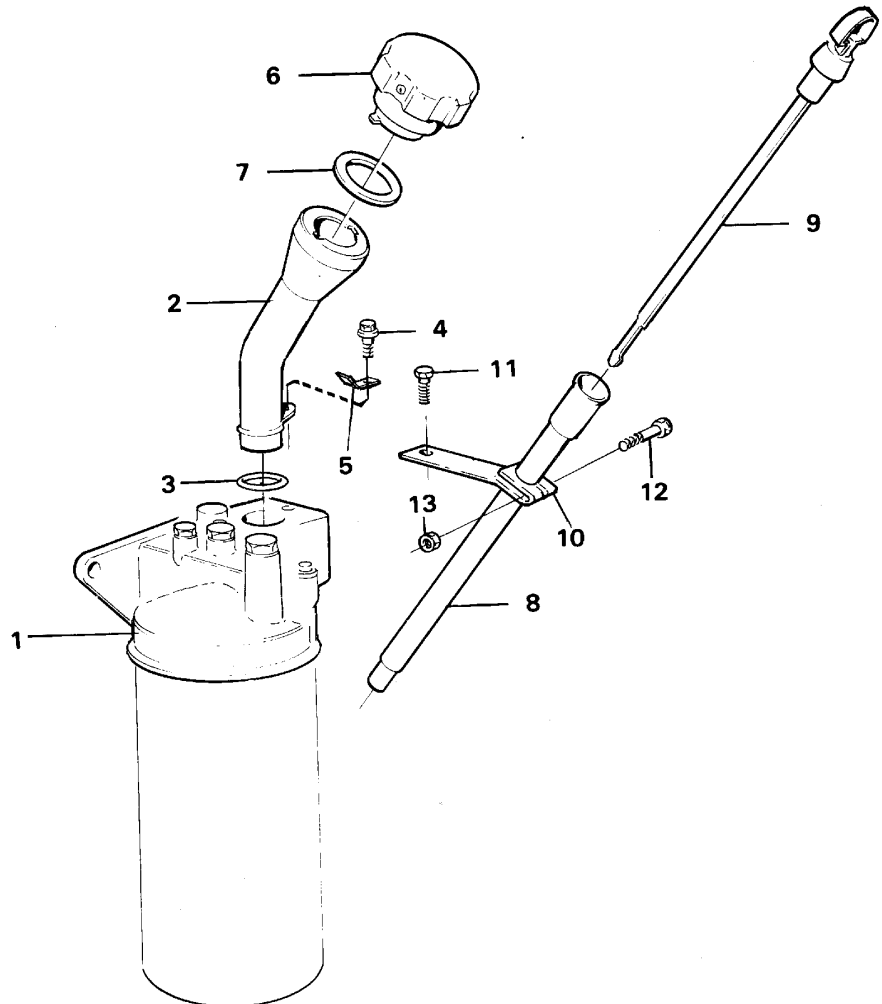
VME Parts AB
AL 234
PRINTED IN SWEDEN

Pos	Part	Q1	Q2	Q3	Q4	Q5	PS	Kit	Description	Option(s)	Remark
1	VOE11162235	1							Oil Pan		(VOE465622)
2	VOE11030778	1							Gasket		(VOE424918)
3	VOE946440	34							Flange screw		
4	VOE13960635	1							Plug		
5	VOE949329	1							Gasket		

VOLVO

Construction Equipment

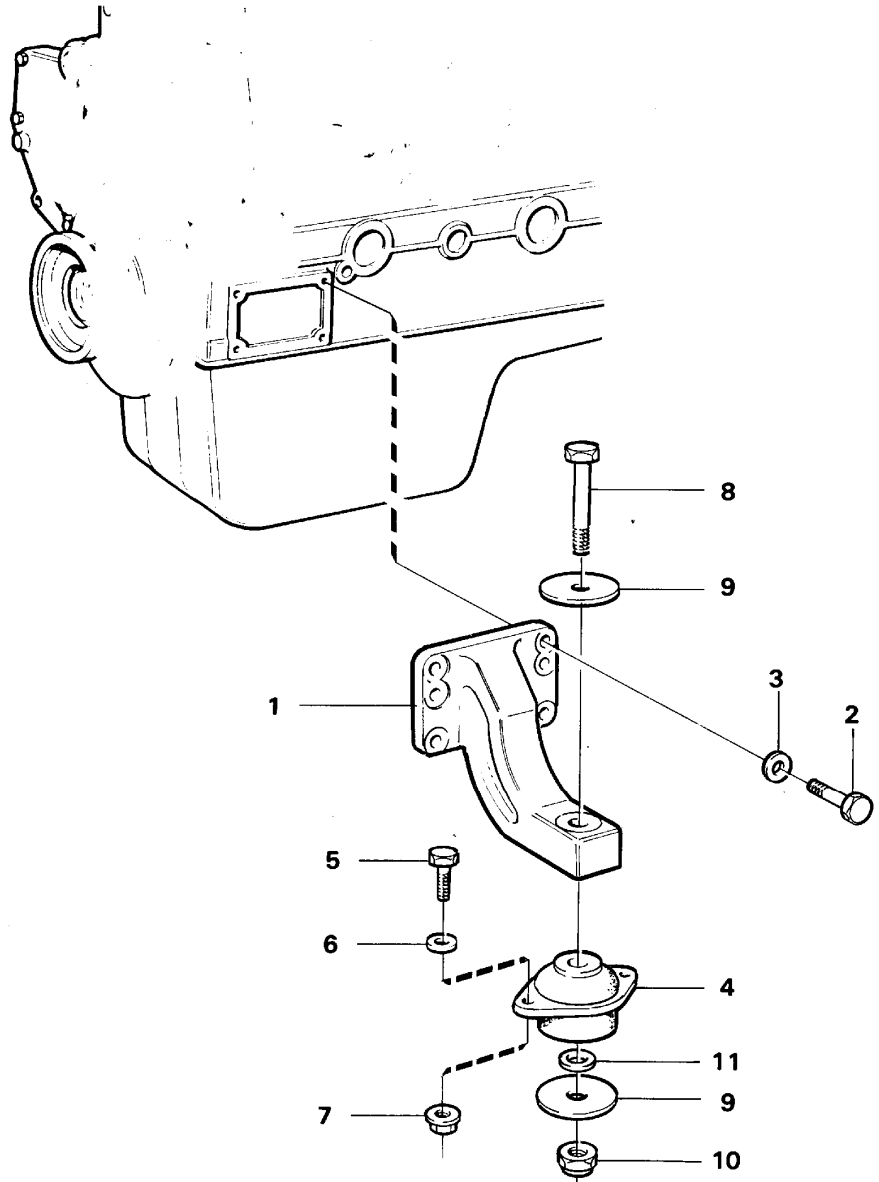
Date: 2014/1/27	Image id: AL241A	Catalogue: 97745	Model: L70B
Brand: Volvo BM	Serial: 10101-11245	Group/Section: 217/100	Title: Oil filler and dipstick



VME Parts AB
AL 241 A
PRINTED IN SWEDEN

Pos	Part	Q1	Q2	Q3	Q4	Q5	PS	Kit	Description	Option(s)	Remark
1		1							Oil filter housing		See ref 222/50
2	VOE4772233	1							Oil filler pipe		
3	VOE421629	1							Sealing ring		
4	VOE13946173	1							Screw		(VOE946173)M8x20
5	VOE421713	1							Tab washer		
6	VOE1275403	1							Oil filler cap		
7	VOE1275379	1							•Gasket		(VOE940096)
8	VOE11030765	1							Pipe		
9	VOE4772191	1							Dipstick		
	VOE925054	1							•O-ring		
10	VOE4772104	1							Clamp		

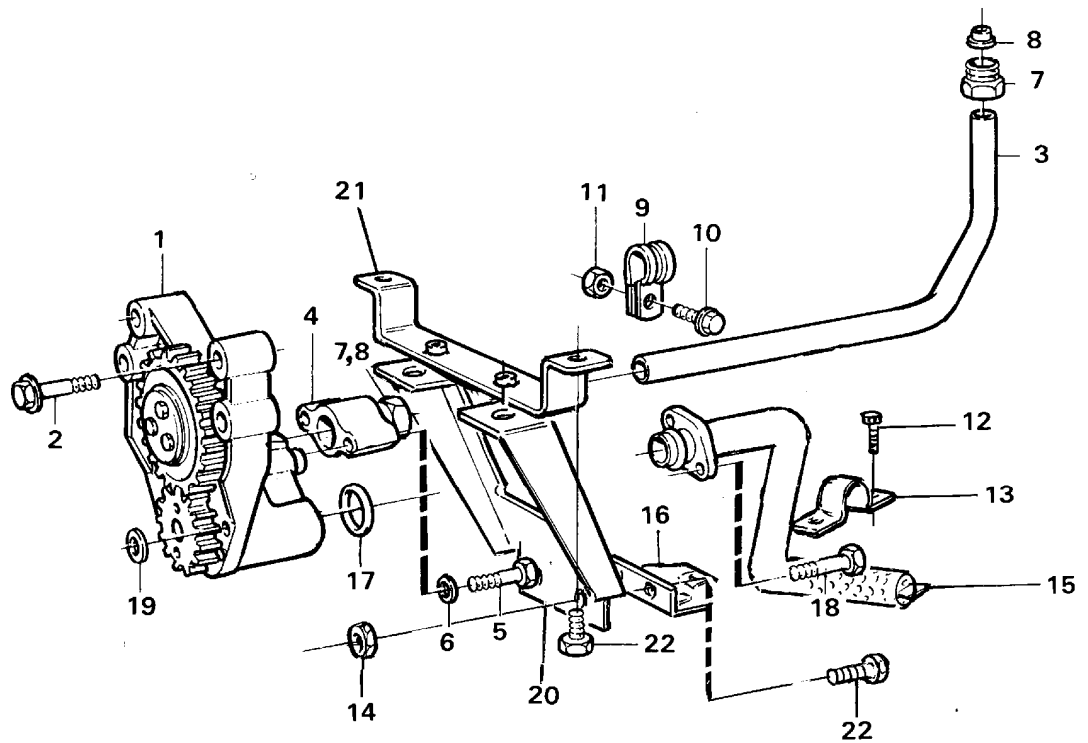
Date: 2014/1/27	Image id: AL102A	Catalogue: 97745	Model: L70B
Brand: Volvo BM	Serial: 10101-11245	Group/Section: 218/50	Title: Engine mounting



VME Parts AB
AL 102 A
PRINTED IN SWEDEN

Pos	Part	Q1	Q2	Q3	Q4	Q5	PS	Kit	Description	Option(s)	Remark
1	VOE4856778	2							Engine anchorage		
2	VOE965227	8							Flange screw		(VOE13945346)
3	VOE13955897	8							Washer		(VOE955897)
4	VOE342812	2							Rubber cushion		(VOE7342812)
5	VOE13965185	4							Screw		
6	VOE13960143	4							Washer		(VOE960143)
7	VOE13971098	4							Flange nut		(VOE949279)
8	VOE13955378	2							Screw		(VOE955378)
9	VOE11015657	4							Washer		(VOE4746470)

Date: 2014/1/27	Image id: AL235A	Catalogue: 97745	Model: L70B
Brand: Volvo BM	Serial: 10101-11245	Group/Section: 221/50	Title: Lubricating oil system



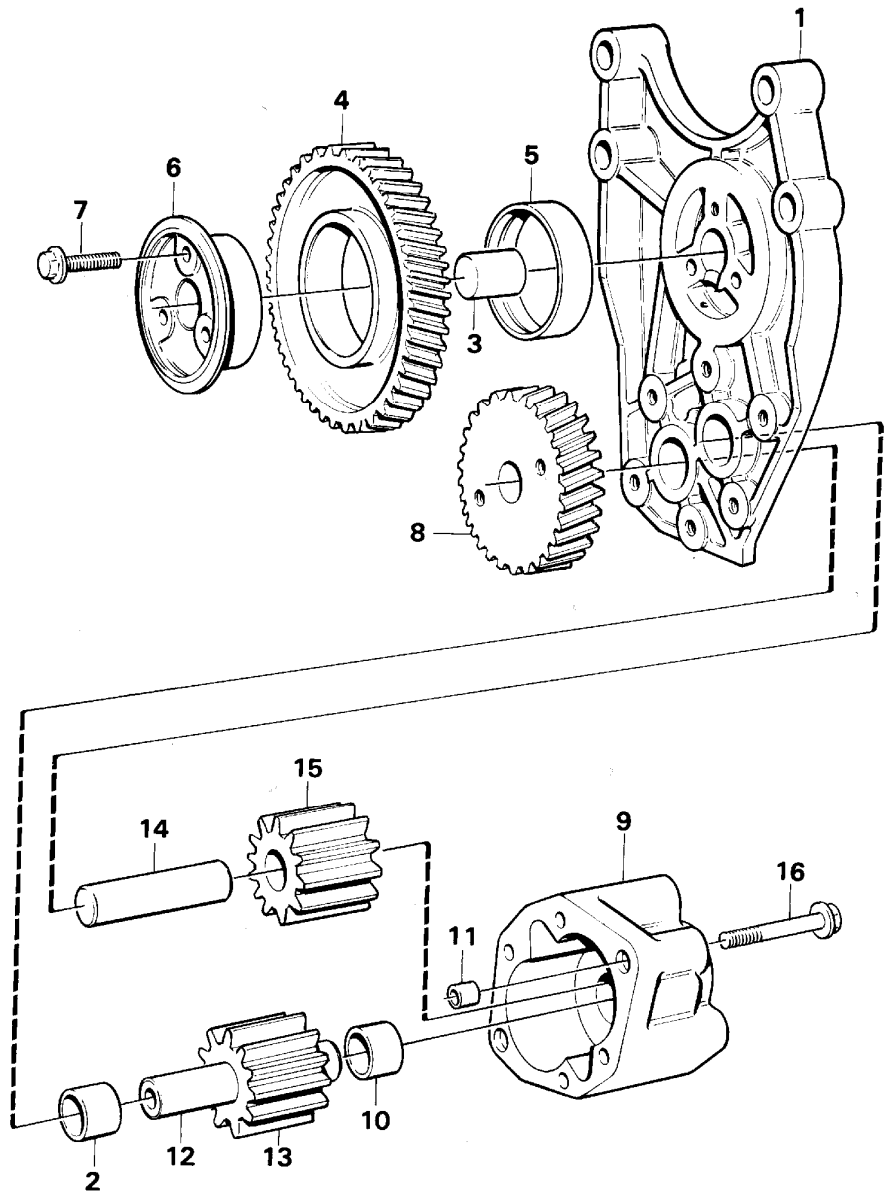
VME Parts AB
AL 235 A
PRINTED IN SWEDEN

Q1-Q5	Option	Option description	
Q1 TD61GD			
Q2 TD63KDE			

Pos	Part	Q1	Q2	Q3	Q4	Q5	PS	Kit	Description	Option(s)	Remark
1		1	1						Oil pump		See ref 221/100
2	VOE471513	4	4						Screw		M10 L=70
	VOE471734	2	2						Screw		M8 L=70
3	VOE465845	1	1					SS	Tube		ENG - 98903
	VOE420993	1	1						Oil feed pipe		ENG 98904 -
4	VOE465846	1	1						Sleeve		
5	VOE13955308	2	2						Screw		(VOE955308)
6	VOE191172		2						Washer		
7	VOE471588	2	2						Connector		ENG - 98903
	VOE471588	1	1						Connector		ENG 98904 -

8	VOE980786	2	2						Fitting		(VOE956972)ENG - 98903
	VOE980786	1	1						Fitting		(VOE956972)ENG 98904 -
9	VOE1545433	1	1						Clamp		
10	VOE946440	1	1						Flange screw		
	VOE13946173		1						Screw		(VOE946173)
11	VOE13945408	1	1						Nut		(EH945408)
	VOE13945408		1						Nut		(VOE948645)
12	VOE13946544	2	2						Screw		(VOE965218)
13	VOE11030722	1	1						Clamp		
14	VOE946036	2	2						Lock nut		
15	VOE11030734	1	1						Suction pipe		
16	VOE11030720	1	1						Bracket		
17	VOE470383	2	2						Sealing ring		
18	VOE13965182	2							Screw		(VOE965182)
19	VOE13955894	3	3						Washer		(VOE955894)
20	VOE11030725	1	1				SS		Baffle plate		
21	VOE11030718	1	1						Bracket		
22	VOE946440	6	6						Flange screw		

Date: 2014/1/27	Image id: AL238A	Catalogue: 97745	Model: L70B
Brand: Volvo BM	Serial: 10101-11245	Group/Section: 221/100	Title: Oil pump



VME Parts AB
AL 238 A
PRINTED IN SWEDEN

Pos	Part	Q1	Q2	Q3	Q4	Q5	PS	Kit	Description	Option(s)	Remark
	VOE420867	1							Oil pump		
1	VOE471571	1							•Bracket		
2		2					NS	K	••Bushing		
3	VOE191171	1							••Pin		(VOE191171)
	VOE471942	1							•Drive Gear		
4		1					NS		••Idler gear		
5		1					NS		••Bearing ring		
6	VOE420048	1							•Bearing sleeve		



Suggest:

For more complete manuals. Please go to the home page.

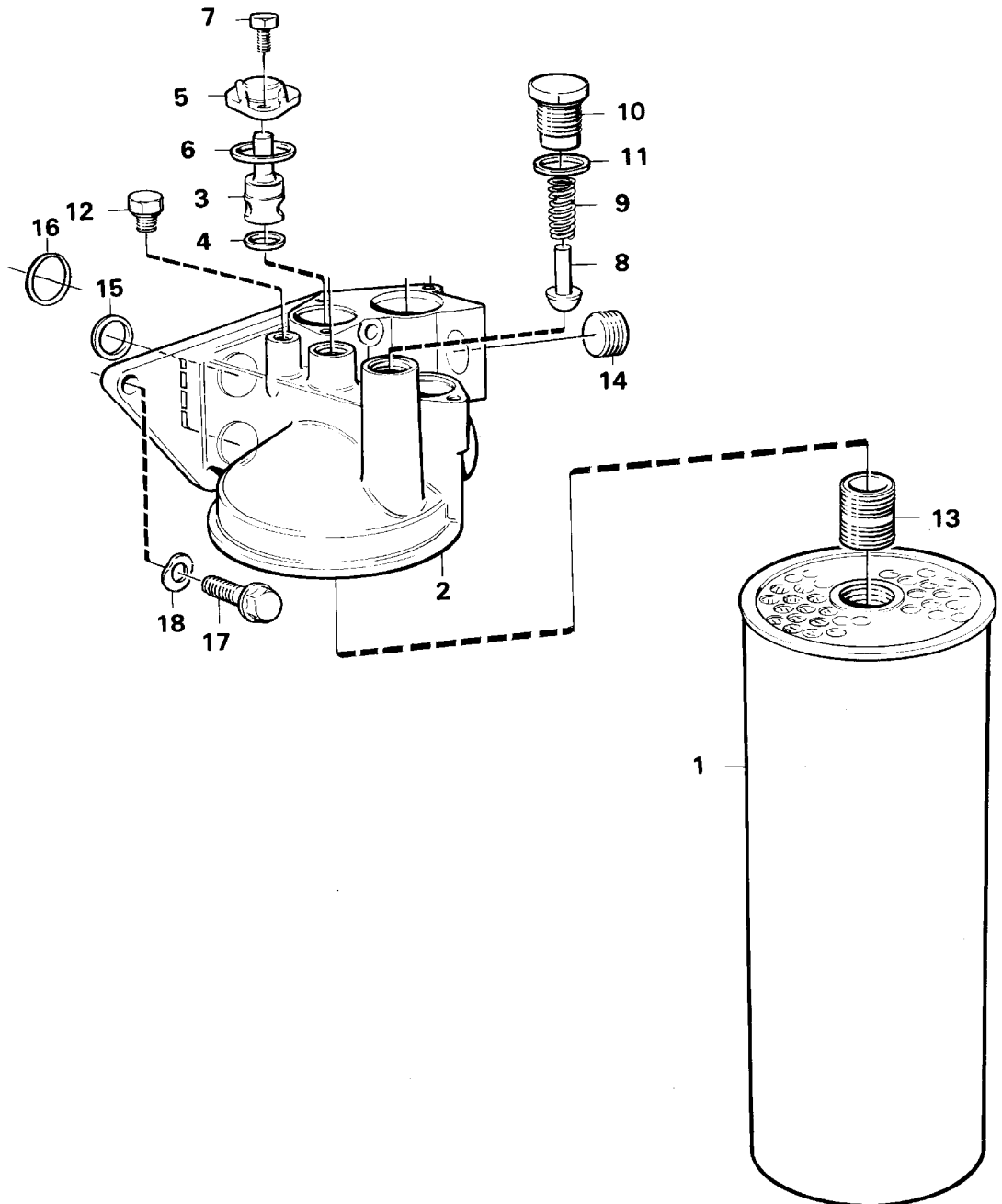
<https://www.ebooklibonline.com>

If the above button click is invalid. Please download this document first, and then click the above link to download the complete manual.

Thank you so much for reading

7	VOE471586	1							•Screw		
8	VOE471941	1							•Drive Gear		
9		1					NS		•Oil pump housing		
10		2					NS	K	••Bushing		
11	VOE401146	2							••Guide sleeve		
12		1					NS	K	•Drive shaft		
13		1						K	••Pump gear		
14		1					NS		•Idler shaft		
15		1					NS		••Pump gear		
16	VOE13965181	2							•Screw		(VOE965218)
	VOE276151	1							Repair kit		(VOE275773)

Date: 2014/1/27	Image id: AL236A	Catalogue: 97745	Model: L70B
Brand: Volvo BM	Serial: 10101-11245	Group/Section: 222/50	Title: Oil filter



VME Parts AB
AL 236 A
PRINTED IN SWEDEN

Pos	Part	Q1	Q2	Q3	Q4	Q5	PS	Kit	Description	Option(s)	Remark
1	VOE466634	1							Oil filter		
2	VOE420928	1							Oil filter housing		
		1					NS		•Oil filter housing		
3	VOE471812	1							•Valve		Marked BLACK, märkt SVART
	VOE466445	1							••Compression		

<https://www.ebooklibonline.com>

Hello dear friend!

Thank you very much for reading.

Enter the link into your browser.

The full manual is available for immediate download.

<https://www.ebooklibonline.com>