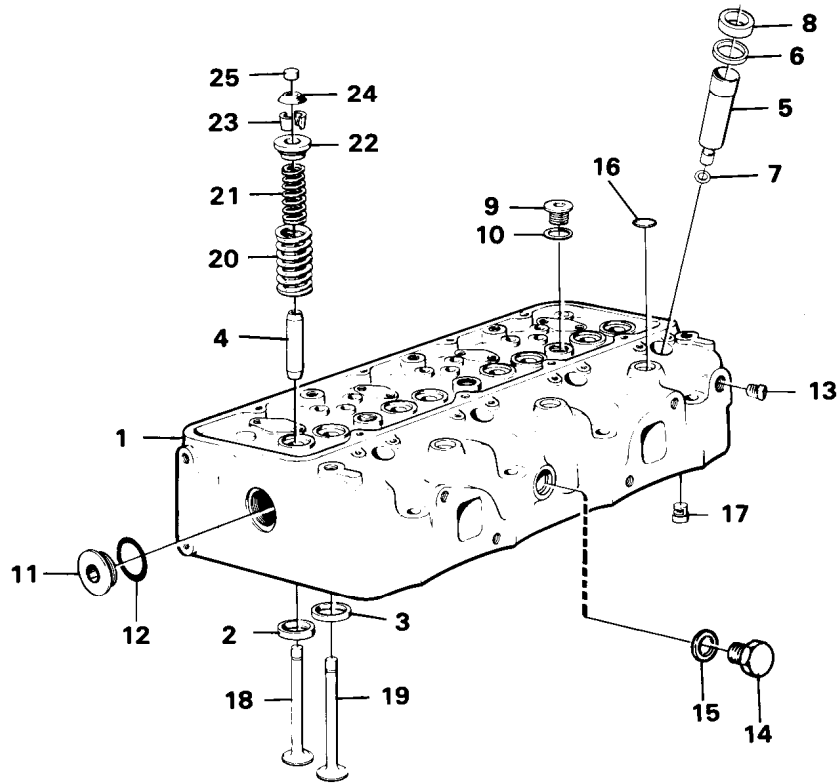
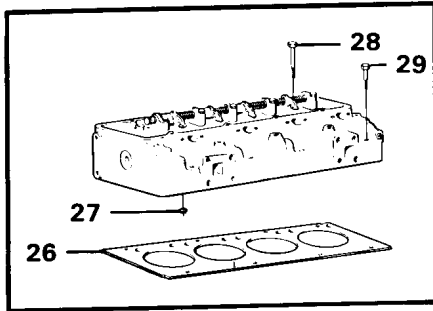


Date: 2014/1/21	Image id: 17716	Catalogue: 97315	Model: 4300B
Brand: Volvo BM	Serial: 5001-9999	Group/Section: 21/50	Title: Cylinder head

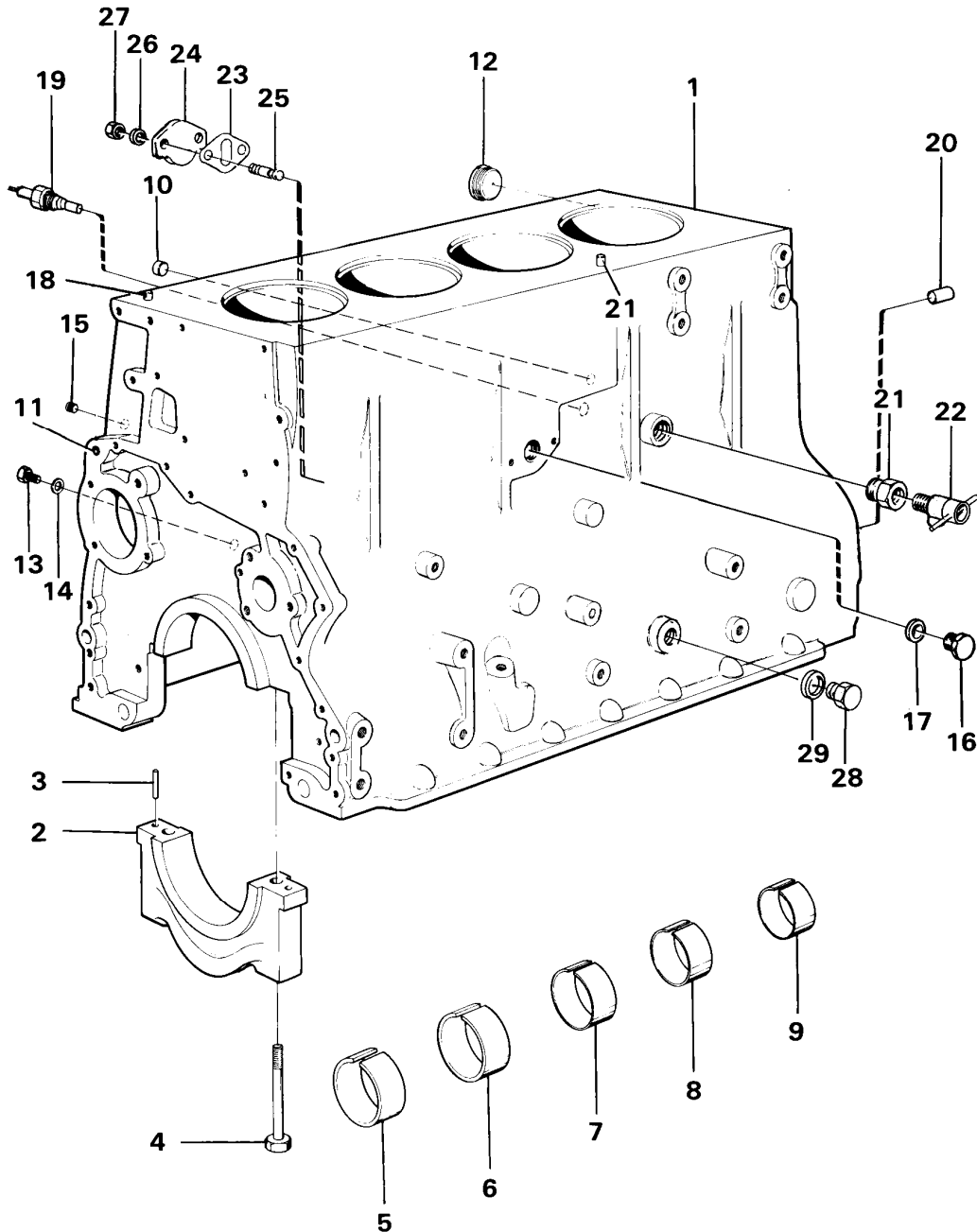


Section option	Kit	Option description
VOE16314		

Pos	Part	Q1	Q2	Q3	Q4	Q5	PS	Kit	Description	Option(s)	Remark
	VOE4804708	1							Cylinder head		
		1					NS		•Cylinder head		
1		1					NS		••Cylinder head		
2	VOE466373	4					SS		••Valve seat		STD
	VOE421316	4							••Valve seat		0,20" O SZ
3	VOE4804548	4							••Valve seat		STD
	VOE466307	4					OP		••Valve seat		0,20" O SZ
4	VOE466386	8							••Valve guide		
5	VOE477928	4							••Socket		(VOE466403)
6	VOE466405	4						K	••Sealing ring		
7	VOE466922	4						K	••Sealing ring		
8	VOE466420	4							••Ring		
9	VOE466230	3							••Plug		
10	VOE420166	3						K	••Gasket		
11	VOE785765	1							••Plug		
12	VOE785766	1						K	••Gasket		
13	VOE952358	1					OP		••Plug		
14	VOE467365	1							••Plug		(VOE467714)
15	VOE469327	1							••Gasket		(VOE468461)
16	VOE477026	3							••Expansion plug		(VOE192426)
17	VOE465420	4							••Nozzle		
18	VOE466379	4							•Valve		
19	VOE421680	4							•Exhaust valve		
20	VOE466384	8							•Valve spring		
21	VOE466383	8							•Valve spring		
22	VOE466382	8							•Washer		
23	VOE468305	16							•Valve Collet		
24	VOE469456	8							•Protecting ring		
25	VOE478074	8							•Valve cap		
	VOE11990104	1							Gasket kit		
26	VOE11030027	1							•Gasket		
27	VOE422413	1							•Sealing ring		
28	VOE787459	16							Screw		
29	VOE787458	4							Screw		
	VOE11990089	1					SS		Overhaul kit		See footnote 2)

2) Set of gasket for decarbonizing the engine.

Date: 2014/1/21	Image id: 17717	Catalogue: 97315	Model: 4300B
Brand: Volvo BM	Serial: 5001-9999	Group/Section: 21/100	Title: Cylinder block



Pos	Part	Q1	Q2	Q3	Q4	Q5	PS	Kit	Description	Option(s)	Remark
1	VOE4804591	1						OP	Cylinder block		

<https://www.ebooklibonline.com>

Hello dear friend!

Thank you very much for reading.

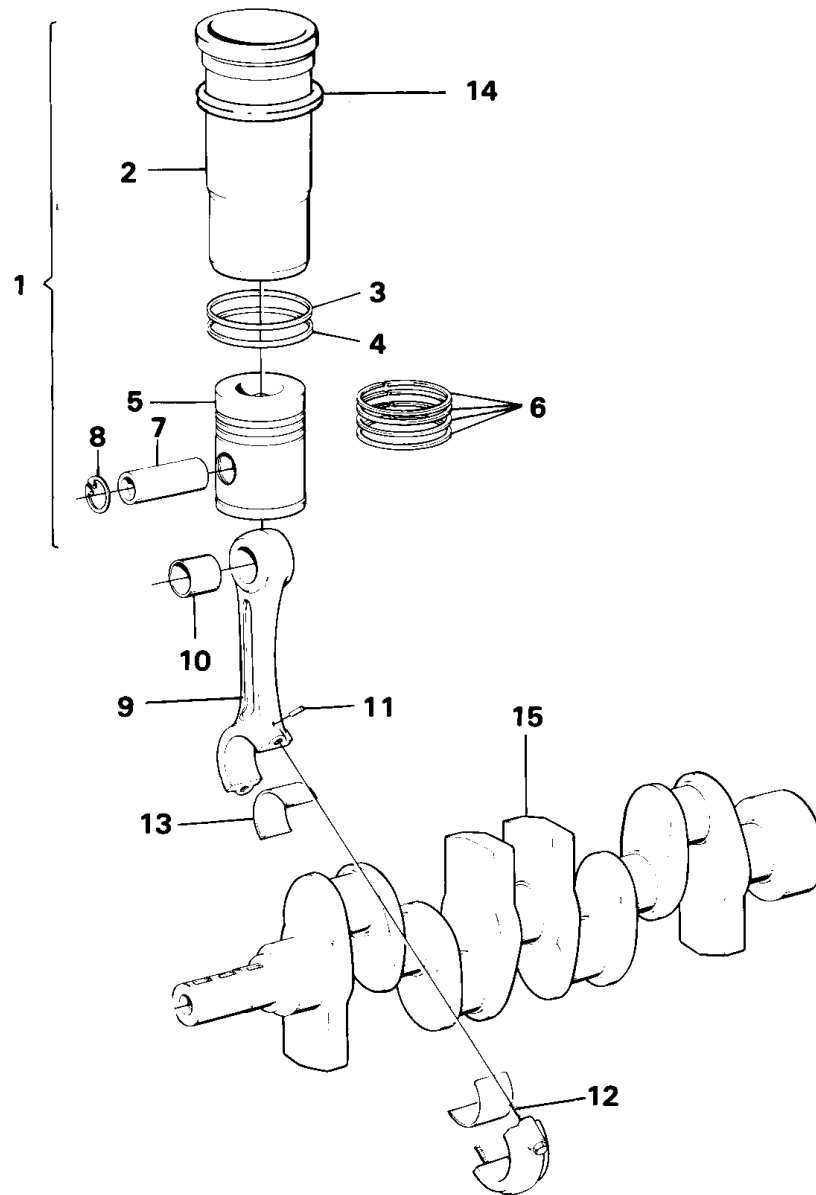
Enter the link into your browser.

The full manual is available for immediate download.

<https://www.ebooklibonline.com>

2		5					NS		•Bearing carrier		
3	VOE950564	1							•Pin		
4	VOE421153	10					OP		•Screw		
5	VOE785515	1							•Bushing		
6	VOE11000014	1							•Bushing		(VOE422079)
7	VOE422080	1							•Bushing		(VOE7422080)
8	VOE422081	1							•Bushing		
9	VOE785443	1							•Bushing		
10	VOE422369	5							•Plug		
11	VOE955082	3							Cap plug		
12	VOE7070792	3							Cap plug		
13	VOE7016318	1							Plug		
14	VOE957173	1							Gasket		
15	VOE13961130	1					OP		Plug		(VOE961130)
16	VOE4804641	1							Plug		
17	VOE957193	1							Gasket		
18	VOE785800	2							Pin		
19	VOE1606877	1							Switch		(VOE1324750)
											OLJETRYCK/OIL PRESSURE
20	VOE191171	2							Pin		(VOE7191171)
21	VOE479954	1							Nipple		(VOE7190130)
22	VOE87502	1							Drain Cock		(VOE7087502)
23	VOE11030028	1							Gasket		(VOE785868)
24	VOE7363575	1							Plate		
25	VOE953235	2					OP		Stud		
26	VOE13941907	2							Washer		(VOE941907)
27	VOE955826	2							Hexagon nut		
28	VOE961895	1							Plug		
29	VOE13947627	1							Plane gasket		(VOE947627)

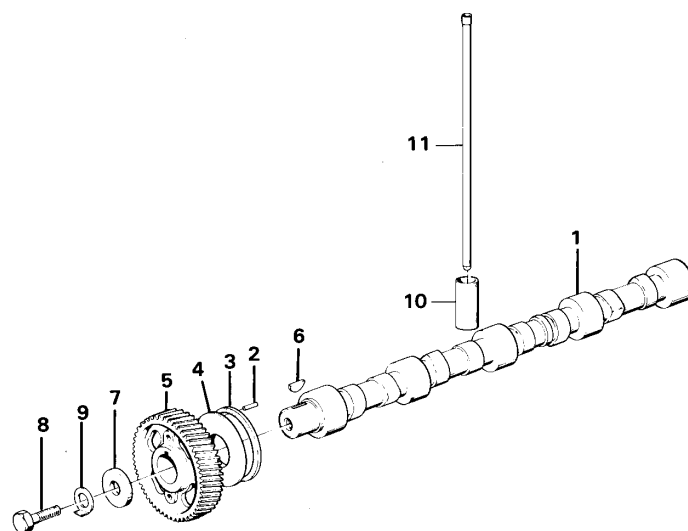
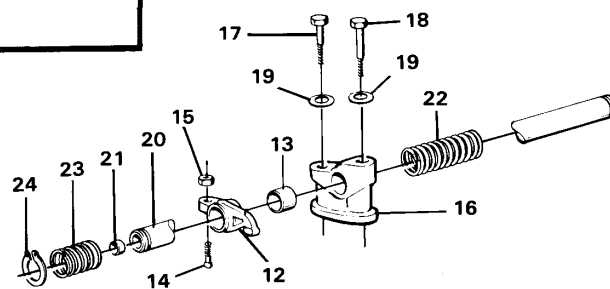
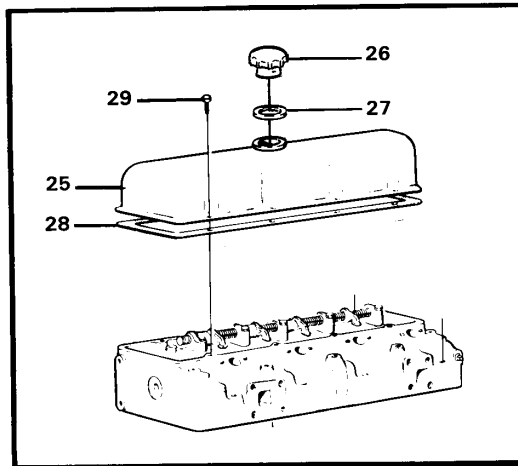
Date: 2014/1/21	Image id: 17718	Catalogue: 97315	Model: 4300B
Brand: Volvo BM	Serial: 5001-9999	Group/Section: 21/150	Title: Cylinder liner, piston and connecting rod



Pos	Part	Q1	Q2	Q3	Q4	Q5	PS	Kit	Description	Option(s)	Remark
1	VOE6630596	4					SS		Cylinder liner kit		ERS.AV 11990057

2		4					NS		•Cylinder liner		
3	VOE4804532	4							•Sealing ring		(VOE4804246)ÖVRE / UPPER
4	VOE4804532	4							•Sealing ring		NEDRE / LOWER
5		4					NS		•Piston		
6	VOE6630616	4							•Piston ring kit		
	VOE787262	4							••Oil scraper ring		
7		4					NS		•Piston pin		
8	VOE914524	8							•Retaining ring		
9	VOE4804450	4					SS		Connecting rod		
		4					NS		•Cap		
10	VOE11030066	4							•Bearing bushing		(VOE4804873)
11	VOE7021660	8					OP		•Pin		
12	VOE420126	8							•Screw		
13	VOE270093	4							Bearing		
	VOE270094	4							Bearing		0,010" UD
	VOE270095	4							Bearing		0,020" UD
	VOE270096	4							Bearing		0,030" UD
	VOE270097	4							Bearing		0,040" UD
	VOE270098	4					OP		Bearing		0,050" UD
14	VOE4804380	REQ							Shim		THICK=0,12
	VOE4804381	REQ							Shim		THICK=0,20
	VOE4804382	REQ							Shim		THICK=0,30
	VOE4804383	REQ							Shim		THICK=0,50
15		1							Crankshaft		See ref 21/300

Date: 2014/1/21	Image id: 17719	Catalogue: 97315	Model: 4300B
Brand: Volvo BM	Serial: 5001-9999	Group/Section: 21/200	Title: Valve mechanism

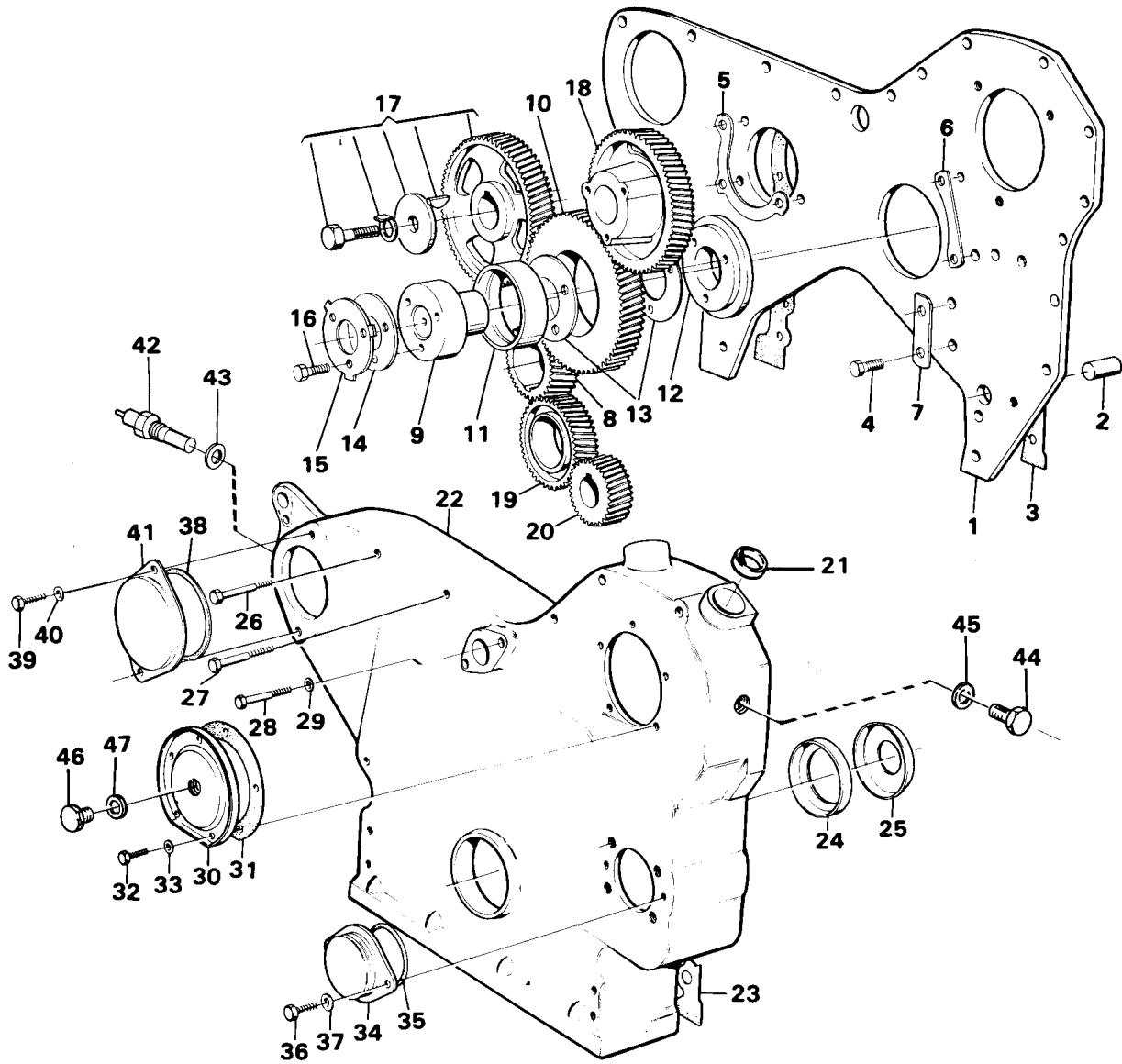


Pos	Part	Q1	Q2	Q3	Q4	Q5	PS	Kit	Description	Option(s)	Remark
1	VOE4804452	1							Camshaft		

2	VOE907172	1					OP		Grooved pin		
3	VOE785591	1							Sealing ring		
4	VOE11030043	1							Thrust washer		(VOE785660)
5	VOE785789	1							Camshaft gear		
6	VOE910122	1							Woodruff key		
7	VOE785584	1							Washer		
8	VOE955581	1							Hexagon screw		
9	VOE785589	1							Lock washer		
10	VOE421067	8							Tappet		(VOE785869)
11	VOE785560	8							Push rod		
12	VOE7420129	4							Rocker arm		
	VOE420132	4							Rocker arm		(VOE7420132)
13	VOE420125	8							•Bushing		(VOE7420125)
14	VOE422993	8							•Bolt		(VOE7423058)
15	VOE940175	8							•Nut		
16	VOE785558	4							Bearing Bracket		
17	VOE955539	4							Hexagon screw		
18	VOE955540	4							Hexagon screw		
19	VOE13942336	8							Spring washer		(VOE942336)
20	VOE785425	1							Rocker arm shaft		
21	VOE955082	2							•Cap plug		
22	VOE411140	2					OP		Spring		(VOE7411140)
23	VOE7301466	3					OP		Spring		
24	VOE914456	2							Retaining ring		
25	VOE785415	1							Valve cover		
26	VOE421753	1							Filler cap		
27	VOE1275379	1							Gasket		(VOE940096)
28	VOE785416	1					K		Gasket		
29	VOE950046	8							Cross recessed screw		
	VOE11990091	1					SS		De-carbonizing kit		(VOE6630712)See footnote 2)

2) Set of gasket for decarbonizing the engine.

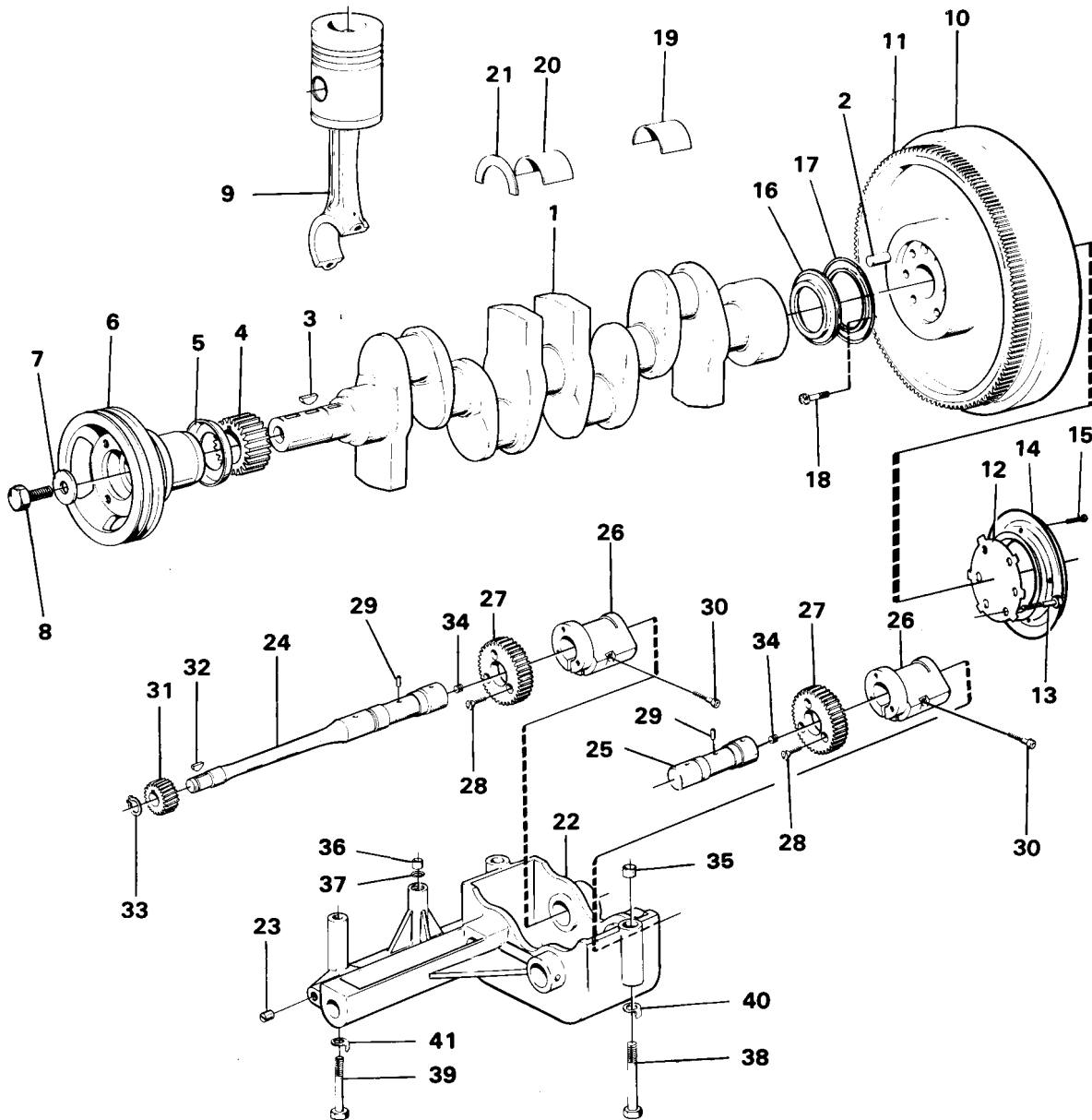
Date: 2014/1/21	Image id: 15101B	Catalogue: 97315	Model: 4300B
Brand: Volvo BM	Serial: 5001-9999	Group/Section: 21/250	Title: Timing gear casing and gears



Pos	Part	Q1	Q2	Q3	Q4	Q5	PS	Kit	Description	Option(s)	Remark
1	VOE4804585	1					OP		Xmsn Plate		

2	VOE191171	2						Pin	(VOE7191171)
3	VOE1161277	1						Sealant	(VOE785746)
4	VOE955524	7						Hexagon screw	
5	VOE785796	1						Striker plate	
6	VOE785797	1						Striker plate	
7	VOE11000062	1						Striker plate	(VOE785872)
8		1						Crankshaft gear	See ref 21/300
9	VOE785723	1					OP	Pin	
10	VOE785767	1					OP	Idler gear	
11		1					NS	•Bushing	
12	VOE785768	1						Spacer plate	
13	VOE787294	2						Thrust washer	
14	VOE787377	1						Bearing shield	
15	VOE785590	1					OP	Striker plate	
16	VOE955556	3						Hexagon screw	
17		1						Camshaft gear	See ref 21/200
18		1						Gear	SEE GROUP 23
19		1						Gear	SEE GROUP 22
20		1						Gear	SEE GROUP 22
21	VOE13946780	1						Cap plug	(VOE946780)
22	VOE4804736	1					OP	Timing gear cover	
23	VOE1161277	1						Sealant	(VOE787156)
24	VOE11713159	1						Sealing ring	(VOE4804489)
25	VOE785517	1						Ring	
26	VOE955531	8						Hexagon screw	
27	VOE926083	2					OP	Screw	
28	VOE13940135	8						Screw	(VOE940135)
29	VOE13941907	18						Washer	(VOE941907)
30		1					NS	Cover	
31	VOE785594	1						Gasket	
32	VOE940100	5						Hexagon screw	
33	VOE13941906	5						Washer	(VOE941906)
34	VOE785859	1					OP	Cap	
35	VOE926132	1						O-ring	
36	VOE13940133	2						Screw	(VOE940133)
37	VOE13942336	2						Spring washer	(VOE942336)
38	VOE420213	1						Sealing ring	(VOE7420213)
39	VOE955535	2						Hexagon screw	
40	VOE13942336	2						Spring washer	(VOE942336)
41	VOE7420183	1						Cover	
42	VOE4780941	1						Induction sensor	
43	VOE13947624	1						Plane gasket	(VOE947624)
44	VOE962632	1					OP	Shim	
45	VOE13947624	1						Plane gasket	(VOE947624)
46	VOE7301185	1					OP	Plug	
47	VOE13947627	1						Plane gasket	(VOE947627)

Date: 2014/1/21	Image id: 17721	Catalogue: 97315	Model: 4300B
Brand: Volvo BM	Serial: 5001-9999	Group/Section: 21/300	Title: Crankshaft - balancing

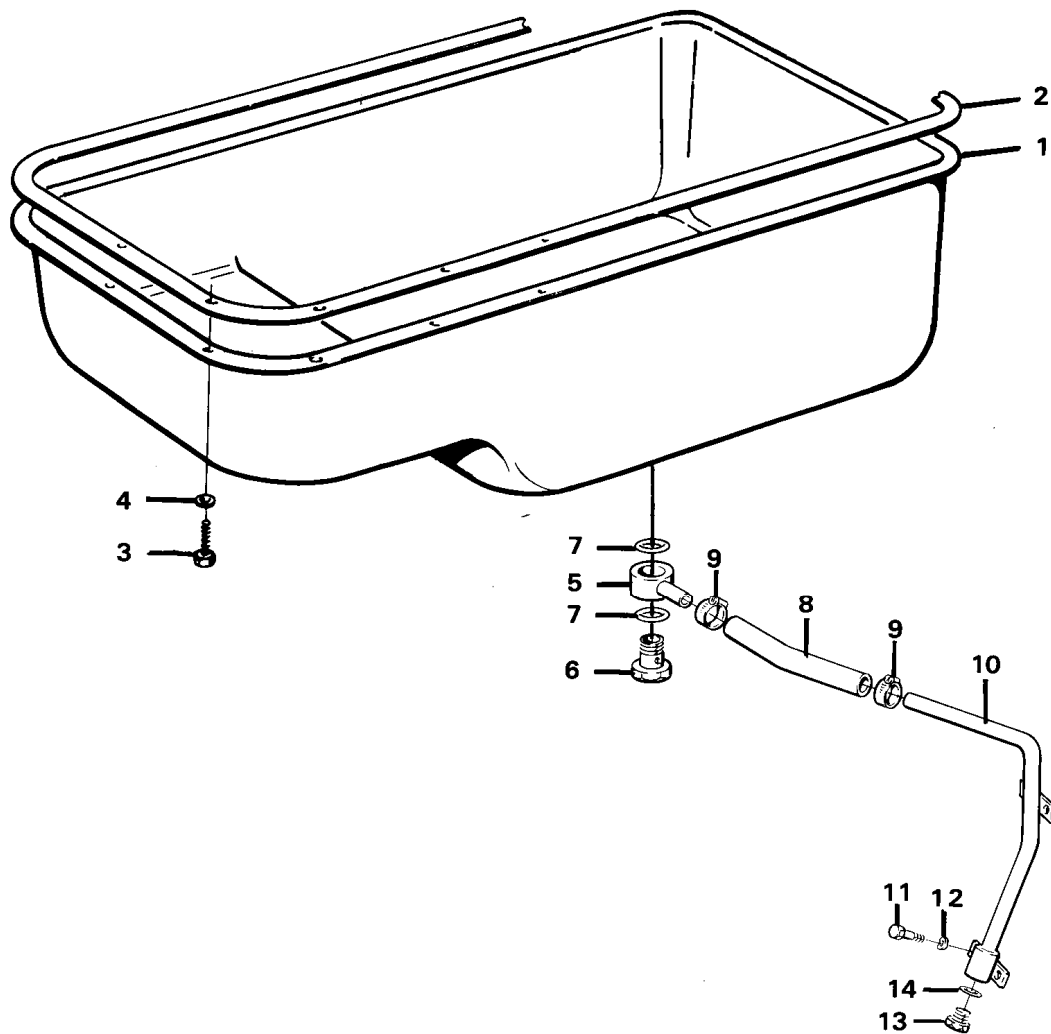


Pos	Part	Q1	Q2	Q3	Q4	Q5	PS	Kit	Description	Option(s)	Remark
1	VOE4804294	1							Crankshaft		

2	VOE950677	1							•Pin		
3	VOE910127	3							Woodruff key		
4	VOE787299	1							Gear		
5	VOE785540	1							Oil deflector ring		
6	VOE787614	1							Pulley		
7	VOE785542	1							Washer		
8	VOE787163	1						OP	Screw		
9		1							Cylinder liner kit		See ref 21/150
10	VOE11030041	1						OP	Flywheel		(VOE4804819)
11	VOE4804931	1							Gear ring		(VOE785520)
12	VOE785483	1							Lock washer		MO - 65124
	VOE467773	6							Washer		MO 65125 -
13	VOE955724	6							Hexagon screw		MO - 65124
	VOE13944710	6							Screw		(VOE944710)MO 65125 -
14	VOE785820	1							Ring		
15	VOE905654	4							Drive screw		
16	VOE477119	1							Crankshaft seal		(VOE821755)
17	VOE787326	1							Oil deflector ring		
18	VOE905654	4							Drive screw		
19	VOE270432	4							Main bearing kit		STD
	VOE270433	4							Main bearing kit		0,010" UD
	VOE270434	4							Main bearing kit		0,020" UD
	VOE270435	4							Main bearing kit		0,030" UD
	VOE270436	4							Main bearing kit		0,040" UD
	VOE270437	4							Main bearing kit		0,050" UD
20	VOE754589	1							Bearing shell kit		STD
	VOE754590	1							Bearing		0,010" UD
	VOE754591	1							Bearing		0,020" UD
	VOE754592	1							Bearing		0,030" UD
	VOE754593	1						OP	Bearing		0,040" UD
	VOE754594	1						OP	Bearing		0,050" UD
21	VOE276754	1							Thrust washer		(VOE276754)STD
	VOE276755	1							Thrust washer		(VOE276755)0,1 MM ÖD
	VOE276756	1							Thrust washer		(VOE276756)0,2 MM ÖD
	VOE276757	1							Thrust washer		(VOE276757)0,3 MM ÖD
	VOE4804471	1						SS	Vibration damper		
22	VOE4804465	1						SS	•Bracket		
23	VOE7016324	1							•Plug		
24	VOE785439	1							•Shaft		
25	VOE785440	1							•Shaft		
26	VOE4804464	2						OP	•Counterweight		
27	VOE787212	2						OP	•Gear		
28	VOE956553	2						OP	•Screw		
	VOE956556	4						OP	•Screw		

29	VOE951950	2							•Spring pin		
30	VOE956588	2							•Screw		
31	VOE787298	1							•Gear		
32	VOE910115	1							•Woodruff key		
33	VOE914454	1							•Retaining ring		
34	VOE7016324	2							•Plug		
35	VOE785649	1							Sleeve		
36	VOE785438	1							Tube		
37	VOE925055	1							O-ring		(VOE926032)
38	VOE7191812	2							Screw		
39	VOE955556	1							Hexagon screw		
40	VOE921231	2							Lock washer		
41	VOE921221	1							Lock washer		

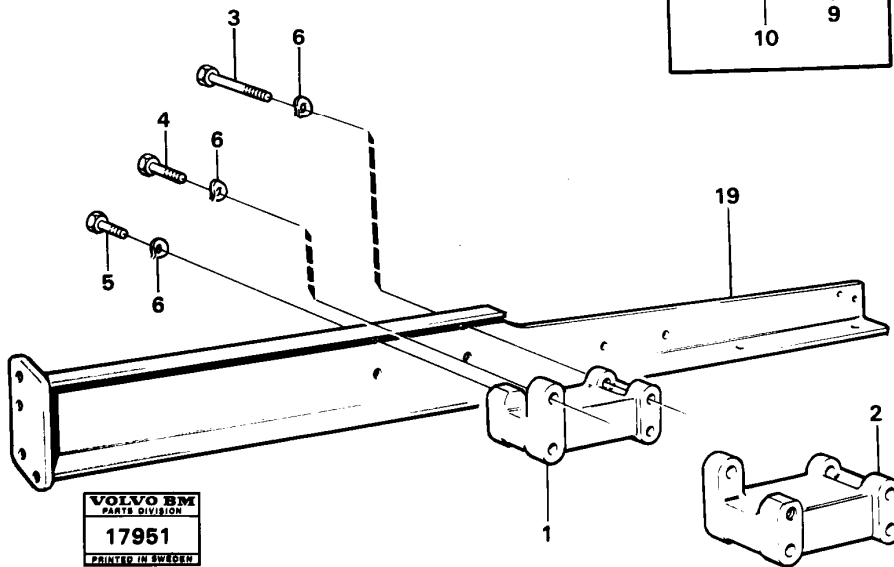
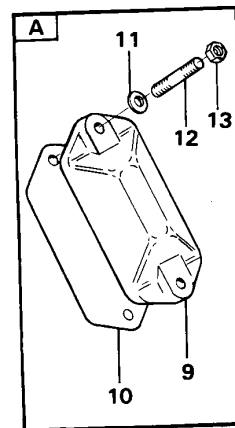
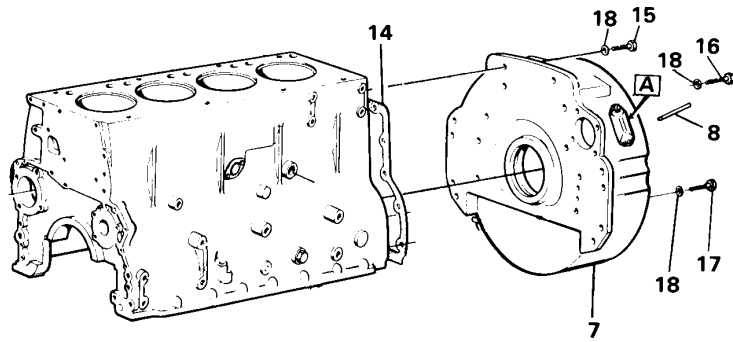
Date: 2014/1/21	Image id: 17950	Catalogue: 97315	Model: 4300B
Brand: Volvo BM	Serial: 5001-9999	Group/Section: 21/350	Title: Oil sump



Pos	Part	Q1	Q2	Q3	Q4	Q5	PS	Kit	Description	Option(s)	Remark
1	VOE787467	1					OP		Oil pan		
2	VOE11030107	1							Gasket		(VOE785417)
3	VOE940186	26							Hexagon screw		
4	VOE13941907	26							Washer		(VOE941907)
5	VOE4761859	1							Oil draining pipe		
6	VOE4746672	1							Hollow screw		

7	VOE13955997	2						O-ring		(VOE955997)
8	VOE13961191	REQ						Hydraulic hose		(VOE961191)L=200
9	VOE13943472	2						Hose clamp		(VOE943472)
10	VOE4947096	1					OP	Drain tube		
11	VOE13955294	4						Screw		(VOE955294)
12	VOE13941907	4						Washer		(VOE941907)
13	VOE926370	1						Plug		
14	VOE958225	1						O-ring		

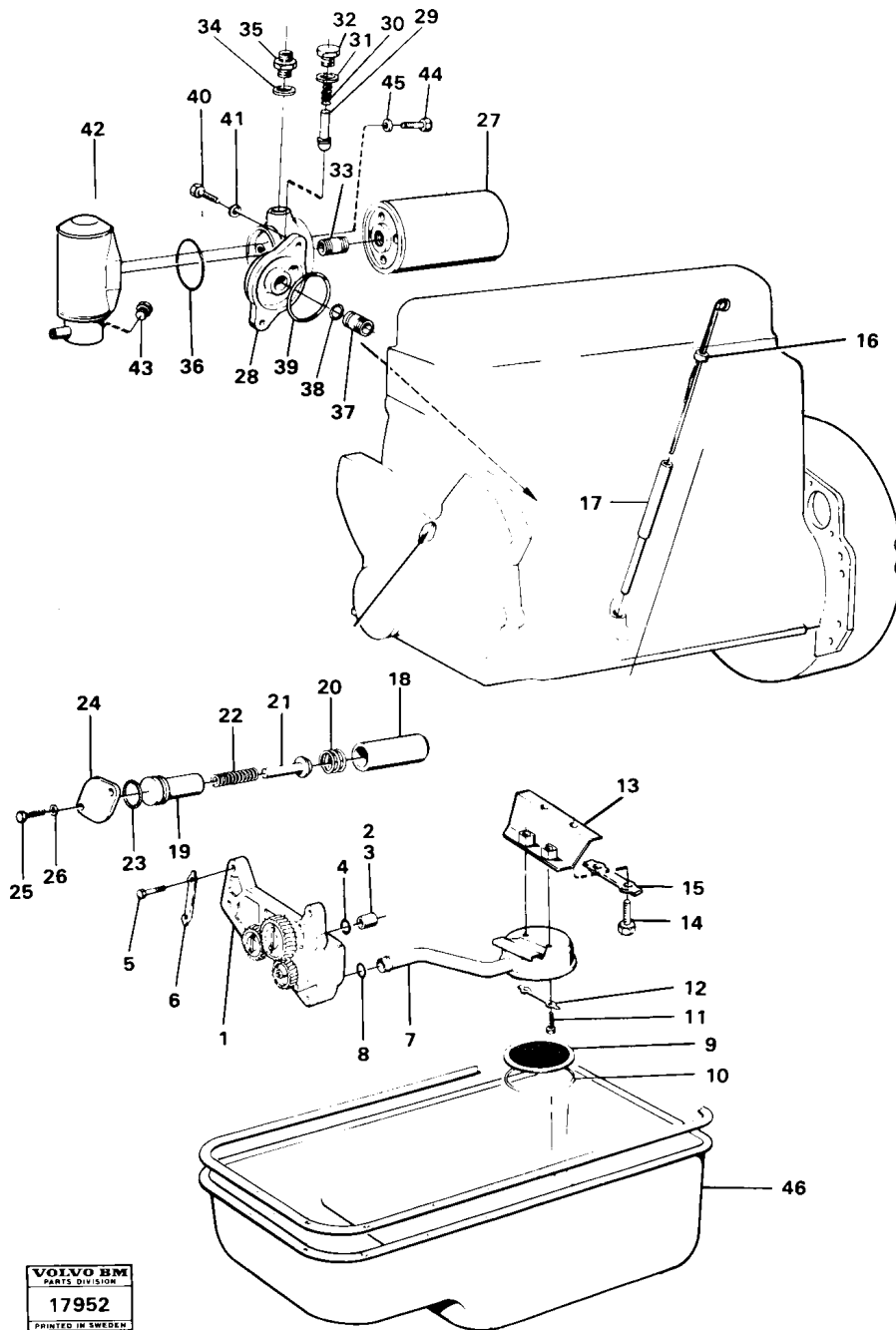
Date: 2014/1/21	Image id: 17951	Catalogue: 97315	Model: 4300B
Brand: Volvo BM	Serial: 5001-9999	Group/Section: 21/400	Title: Engine support and flywheel housing



Pos	Part	Q1	Q2	Q3	Q4	Q5	PS	Kit	Description	Option(s)	Remark
1	VOE751992	1					OP		Engine anchorage		V

2	VOE751991	1					OP		Engine anchorage		H
3	VOE926004	6					OP		Screw		
4	VOE955563	2							Hexagon screw		
5	VOE955561	2							Hexagon screw		
6	VOE940280	10							Spring washer		
7	VOE4804162	1					OP		Flywheel housing		
8	VOE4804159	1					OP		•Setting indicator		
	VOE739393	1							•Tube		
	VOE905654	2							•Drive screw		
9	VOE4772168	1							Cover		(VOE4804166)
10	VOE4804167	1							Gasket		
11	VOE955893	2							Washer		
12	VOE924054	2					OP		Stud		
13	VOE946035	2							Lock nut		
14	VOE1161277	1							Sealant		(VOE787198)
15	VOE955578	2					SS		Hexagon screw		
16	VOE955580	6							Hexagon screw		
17	VOE955583	2							Hexagon screw		
18	VOE941911	10							Spring washer		
19		2							Frame		SEE GROUP 71

Date: 2014/1/21	Image id: 17952	Catalogue: 97315	Model: 4300B
Brand: Volvo BM	Serial: 5001-9999	Group/Section: 22/50	Title: Lubricating oil system

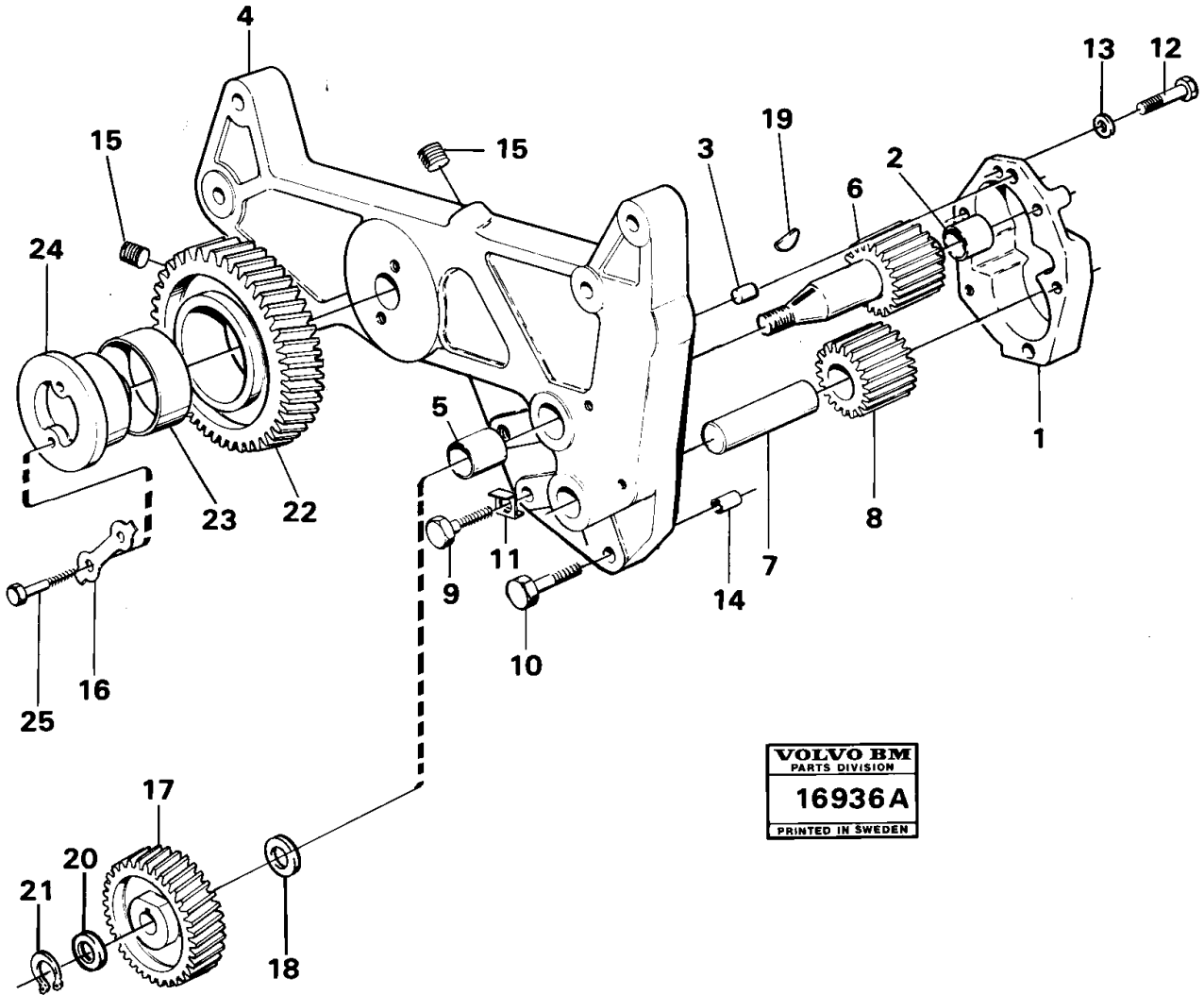


Pos	Part	Q1	Q2	Q3	Q4	Q5	PS	Kit	Description	Option(s)	Remark
1		1							Oil pump		See ref 22/100

2	VOE785577	1							Guide sleeve		
3	VOE785623	1					OP		Guide sleeve		
4	VOE955993	1							O-ring		
5	VOE940186	3							Hexagon screw		L=38
	VOE955526	1							Hexagon screw		L=51
6	VOE7015176	1							Lock washer		
	VOE7015260	1							Lock washer		
7	VOE787469	1					OP		Suction pipe		
8	VOE942089	1							O-ring		
9	VOE414621	1							Wire gauze		(VOE7414621)
10	VOE118125	1							Retaining ring		(VOE7118125)
11	VOE940113	2							Hexagon screw		
12	VOE7191268	1					OP		Lock washer		
13	VOE787476	1					OP		Bracket		
14	VOE940113	2							Hexagon screw		
15	VOE7191268	1					OP		Lock washer		
16	VOE787477	1					OP		Dipstick		
17	VOE785606	1							Tube		
18	VOE785792	1							Valve housing		
19	VOE787068	1							Housing		
20	VOE785794	1							Spring		
21	VOE421125	1							Valve		(VOE7421125)
22	VOE421126	1							Spring		(VOE7421126)
23	VOE925059	1							O-ring		
24	VOE787069	1							Thrust washer		
25	VOE955513	2							Hexagon screw		
26	VOE13941906	2							Washer		(VOE941906)
27	VOE4804406	1							Oil filter		
28	VOE4804521	1					OP		Bracket		
29	VOE471085	1							•Valve cone		
30	VOE4804755	1							•Compression spring		
31	VOE957185	1							•Gasket		
32	VOE466624	1							•Plug		
33	VOE4804518	1							•Nipple		
34	VOE957179	1							•Gasket		
35	VOE13963948	1							•Nipple		
36	VOE926039	1							O-ring		
37	VOE785816	1							Nipple		
38	VOE955976	1							O-ring		(VOE926033)
39	VOE926040	1							O-ring		
40	VOE955535	2							Hexagon screw		
41	VOE955950	2							Toothed washer		
42	VOE4804681	1							Oil cooler		
43	VOE479979	1							•Plug		(VOE191026)
44	VOE4804519	2							Screw		
45	VOE13940109	2							Lock washer		(VOE940109)

46		1						Oil sump		SEE GROUP 21
----	--	---	--	--	--	--	--	----------	--	--------------

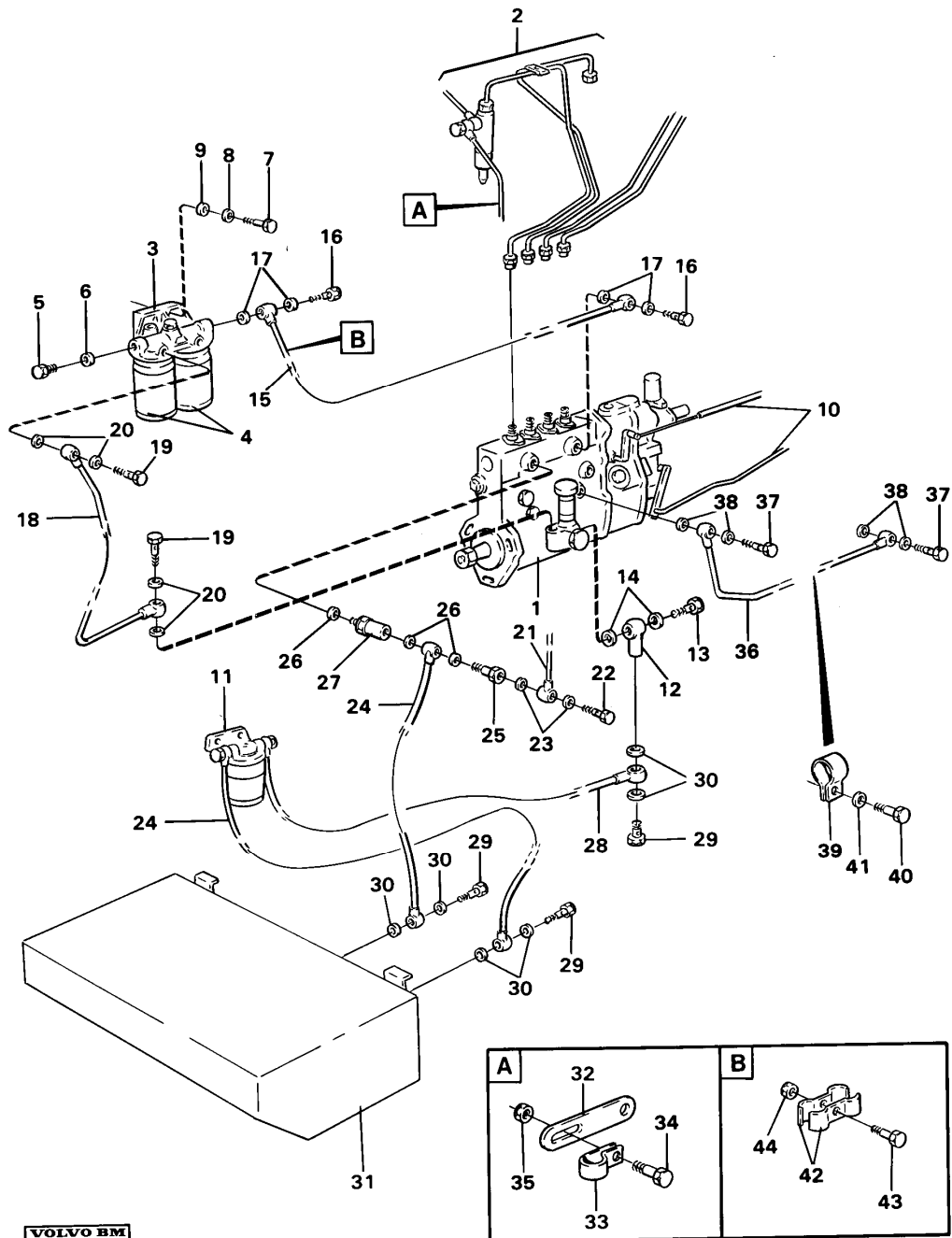
Date: 2014/1/21	Image id: 16936A	Catalogue: 97315	Model: 4300B
Brand: Volvo BM	Serial: 5001-9999	Group/Section: 22/100	Title: Oil pump



Pos	Part	Q1	Q2	Q3	Q4	Q5	PS	Kit	Description	Option(s)	Remark
	VOE4804522	1					SS		Oil Pump		
1	VOE4804196	1							•Oil pump housing		
2	VOE470234	2							••Bushing		(VOE940359)
3	VOE918145	1							•Pin		
4	VOE787598	1							•Bracket		
5	VOE470234	2							••Bushing		(VOE940359)
6	VOE4804199	1					SS		•Axle shaft		
7	VOE4804200	1					SS		•Shaft		
		1					NS		••Shaft		
8		1					NS		••Gear		
9	VOE955514	1							•Hexagon screw		

10	VOE955515	1							•Hexagon screw		
11	VOE921206	1							•Lock washer		
12	VOE955516	4							•Hexagon screw		
13	VOE13941906	4							•Washer		(VOE941906)
14	VOE787235	1							•Spring pin		
15	VOE191142	2							•Plug		(VOE7191142)
16	VOE7015024	1							•Lock washer		
17	VOE4804202	1							Drive Gear		
18	VOE424133	1							Thrust washer		
19	VOE910115	1							Woodruff key		
20	VOE926147	1							Support washer		
21	VOE914450	1							Retaining ring		
22	VOE787297	1							Idler gear		
23	VOE785775	1							•Bushing		
24	VOE785519	1							Pivot pin		
25	VOE940161	2							Hexagon screw		

Date: 2014/1/21	Image id: 17310A	Catalogue: 97315	Model: 4300B
Brand: Volvo BM	Serial: 5001-9999	Group/Section: 23/50	Title: Fuel system



VOLVO BM
PARTS DIVISION
17310A
PRINTED IN SWEDEN

Pos	Part	Q1	Q2	Q3	Q4	Q5	PS	Kit	Description	Option(s)	Remark
1		1							Injection pump		See ref 23/250

2								Pipe, injector	See ref 23/100
3	VOE1676832	1					SS	Housing	See ref 23/525
4	VOE466987	2						Fuel filter	
5	VOE960630	3						Plug	
6	VOE13947621	3						Plane gasket	(VOE947621)
7	VOE13940162	2						Screw	(VOE940162)
8	VOE13942336	2						Spring washer	(VOE942336)
9	VOE13940097	2						Washer	(VOE940097)
10		1						Control	SEE GROUP 27
11	VOE4880463	1						Water separator	See ref 23/550
12		1					NS	Banjo nipple	
13	VOE7025167	1						Hollow screw	
14	VOE13947621	2						Plane gasket	(VOE947621)
15	VOE4804601	1						Fuel pipe	
16	VOE7025167	2						Hollow screw	
17	VOE13947621	4						Plane gasket	(VOE947621)
18	VOE4804599	1						Fuel pipe	
19	VOE7025167	2						Hollow screw	
20	VOE13947621	4						Plane gasket	(VOE947621)
21	VOE4804603	1						Fuel pipe	
22	VOE7074033	1						Hollow screw	
23	VOE947620	2						Gasket	
24	VOE4804704	2					OP	Fuel hose	
25	VOE7016496	1						Hollow screw	
26	VOE13947621	3						Plane gasket	(VOE947621)
27	VOE479775	1						Overflow valve	
28	VOE4804349	1						Fuel hose	
29	VOE7025167	3						Hollow screw	
30	VOE13947621	6						Plane gasket	(VOE947621)
31		1						Fuel tank	See ref 23/200
32	VOE943955	1						Bracket	
33	VOE7121563	1						Clamp	
34	VOE956094	1						Cross recessed screw	
35	VOE13955781	1						Nut	(VOE955781)
36	VOE4804757	1						Oil pipe	
37	VOE7048634	2						Hollow screw	
38	VOE13947281	4						Gasket	(VOE947281)
39	VOE940374	1						Clamp	
40	VOE955511	1						Hexagon screw	
41	VOE955893	1						Washer	
42	VOE404279	2						Clamp	
43	VOE956094	1						Cross recessed screw	
44	VOE13955781	1						Nut	(VOE955781)



Suggest:

For more complete manuals. Please go to the home page.

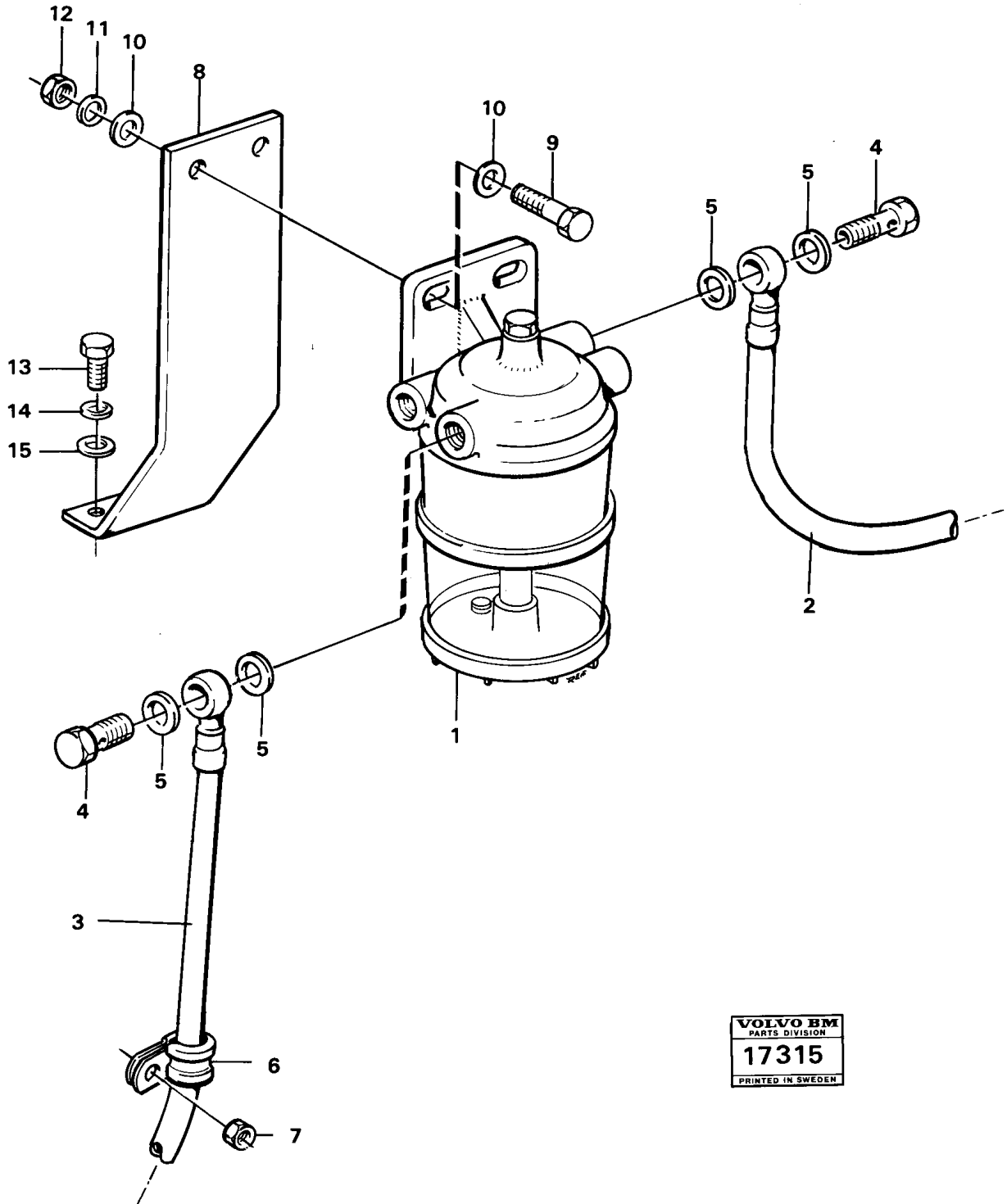
<https://www.ebooklibonline.com>

If the above button click is invalid. Please download this document first, and then click the above link to download the complete manual.

Thank you so much for reading

2	VOE469797	4							Nozzle retainer		
3	VOE4804589	4							Pin		
4	VOE4804590	4							Stud		
5	VOE13971068	4							Hexagon nut		(VOE961992)
6	VOE13942336	4							Spring washer		(VOE942336)
7	VOE4804748	1							Delivery pipe		
8	VOE4804749	1							Delivery pipe		
9	VOE4804750	1							Delivery pipe		
10	VOE4804751	1							Delivery pipe		
11	VOE8194353	1							Clamp		(VOE4780054)
12	VOE8194351	2							Clamp		(VOE4786764)
13	VOE4804603	1							Fuel pipe		
14	VOE947620	2							Gasket		
15	VOE7074033	1							Hollow screw		
16		1							Fuel hose		See ref 23/50
17	VOE7074034	1							Hollow screw		
18	VOE4804582	1							Leak-off line		
19	VOE7074033	3							Hollow screw		
20	VOE947620	9							Gasket		

Date: 2014/1/21	Image id: 17315	Catalogue: 97315	Model: 4300B
Brand: Volvo BM	Serial: 5001-9999	Group/Section: 23/150	Title: Slurry separator with fitting parts



VOLVO BM
PARTS DIVISION
17315
PRINTED IN SWEDEN

Pos	Part	Q1	Q2	Q3	Q4	Q5	PS	Kit	Description	Option(s)	Remark
1	VOE4880463	1							Water separator		See ref 23/550

<https://www.ebooklibonline.com>

Hello dear friend!

Thank you very much for reading.

Enter the link into your browser.

The full manual is available for immediate download.

<https://www.ebooklibonline.com>