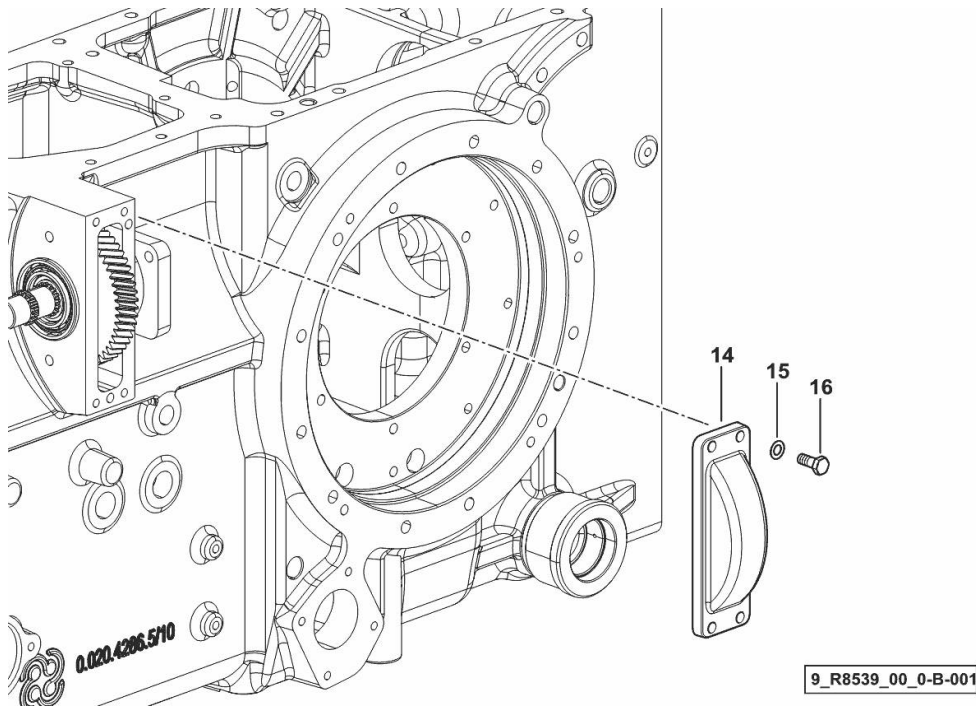


COVER

Fig.	P/n	QTY	Name
------	-----	-----	------

Notes:
[Virtus 130]

14	0.255.3134.0/10	1	small cover
15	2.1481.007.1	4	washer 8
16	2.0112.207.2	4	screw m 8 p 1.25 x 20

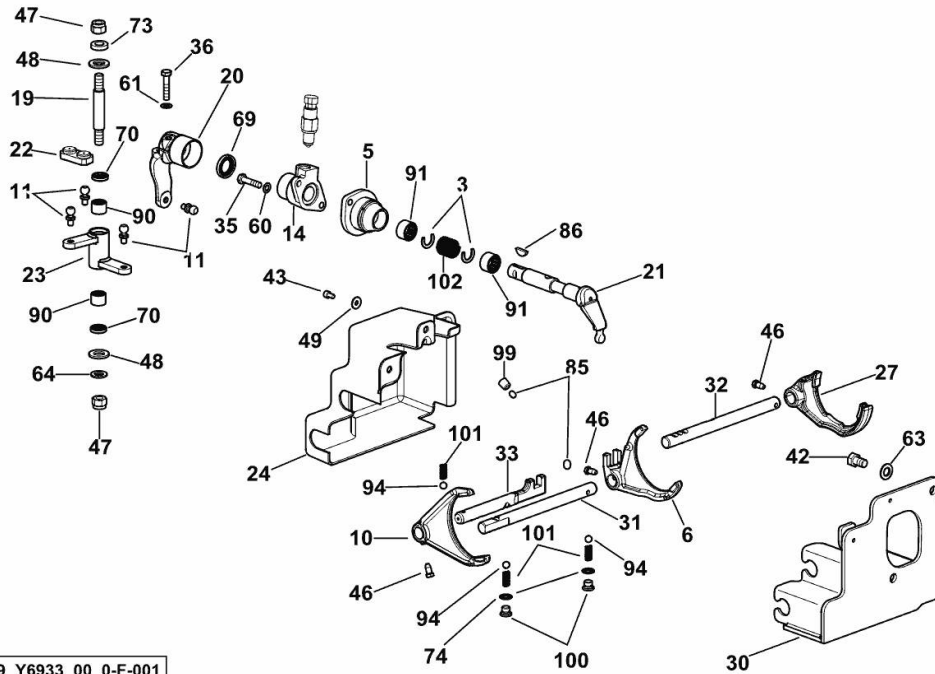


5-SPEED GEARBOX INTERNAL CONTROLS

Fig.	P/n	QTY	Name
------	-----	-----	------

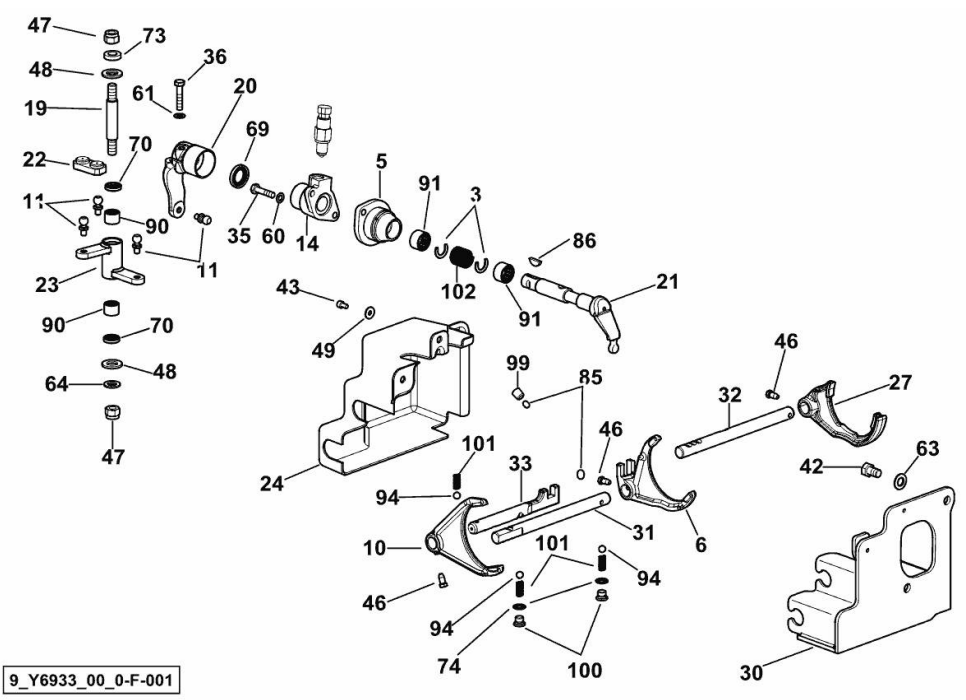
Notes:
[Virtus 130]

3	0.008.5405.0	2	ring
5	0.011.7127.0/20	1	support
6	0.012.4169.0/30	1	fork
10	0.013.0009.0/20	1	fork
11	0.014.1947.0	4	small pin
14	0.014.9383.0/20	1	support
19	0.017.4996.0/10	1	pin
20	0.017.7597.2	1	lever
21	0.017.7622.0/10	1	lever
22	0.017.7643.3	1	connecting rod
23	0.017.7964.2	1	lever
24	0.017.8358.0/10	1	cover
27	0.018.9784.0/20	1	fork
30	0.018.9882.2	1	plate
31	0.445.6420.0/10	1	rod
32	0.445.6421.0/10	1	rod
33	0.445.6454.0/30	1	rod
35	2.0112.213.2	2	screw m 8 p.1.25 x 35
36	2.0112.215.2	1	screw m 8 p.1.25 x 40
42	2.0112.407.2	2	screw m 12 p.1.75 x 20
43	2.0312.101.2	3	screw m 6 p.1 x 10
46	2.0399.019.1	3	screw m 8 p.1 x 16
47	2.1120.007.2	2	self-locking nut m 12 p.1.75
48	2.1310.010.2	2	flat washer 17x30
49	2.1312.003.2	3	washer 6
60	2.1470.004.2	2	lock washer 8
61	2.1475.002.2	3	conical washer 8
63	2.1475.004.2	2	spring washer 12
64	2.1475.004.7	1	washer 13 x 24
69	2.1519.075.0	1	oil seal 22 x 35 x 6
70	2.1519.078.0	2	special oil seal 16 x 24 x 6
73	2.1549.124.2	1	spacer 13 x 25 x 6
74	2.1560.008.0	2	gasket 12.2 x 18
85	2.1699.159.0	2	cap 10 x 14.1
86	2.1720.010.0	1	key 5x9
90	2.2725.020.0	2	roller cage 16x22x16
91	2.2725.030.0	2	roller cage 22 x 28 x 16
94	2.2999.156.0	4	ball Ø 10
99	2.3131.001.4	1	plug m 12 p.1.5
100	2.3199.164.2/20	2	plug m 12 p.1.5
101	2.4019.622.1	3	spring 6.3 x 9.5 x 1.6 x 22.4



5-SPEED GEARBOX INTERNAL CONTROLS

Fig.	P/n	QTY	Name
102	2.4019.698.1/10	1	spring 21 x 25 x 46



9_Y6933_00_0-F-001

<https://www.ebooklibonline.com>

Hello dear friend!

Thank you very much for reading.

Enter the link into your browser.

The full manual is available for immediate download.

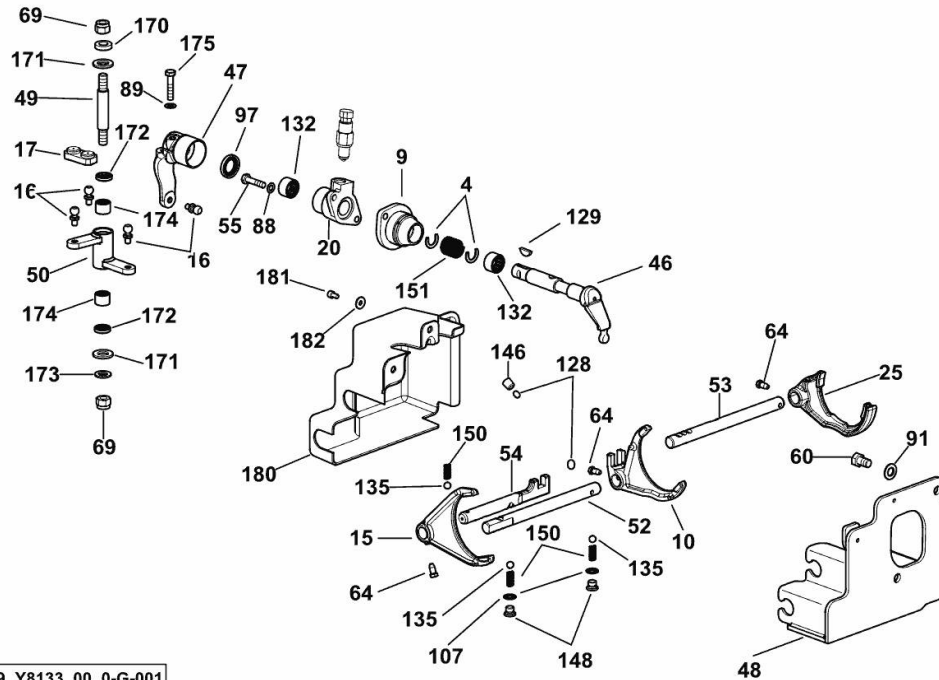
<https://www.ebooklibonline.com>

INTERNAL CONTROLS FOR 5 SPEED GEARBOX WITH H-M-L

Fig.	P/n	QTY	Name
------	-----	-----	------

Notes:
(GEARSHIFT) [Virtus 130]

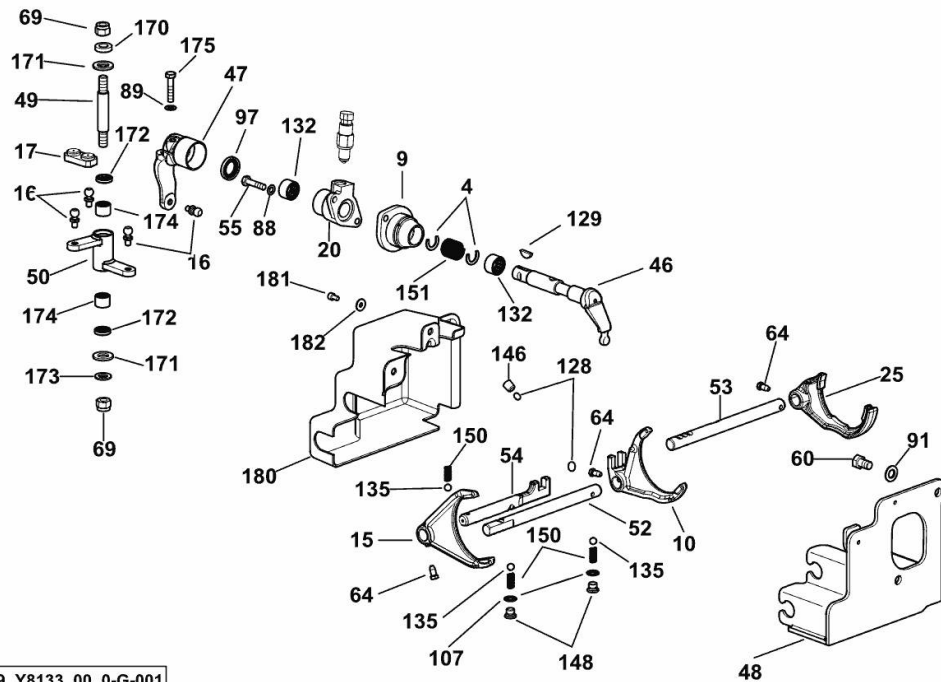
4	0.008.5405.0	2	ring
9	0.011.7127.0/20	1	support
10	0.012.4169.0/20	1	fork (10005 <-)
10	0.012.4169.0/30	1	fork (-> 10006)
15	0.013.0009.0/20	1	fork
16	0.014.1947.0	4	small pin
17	0.017.7643.3	1	connecting rod
20	0.014.9383.0/20	1	support
25	0.018.9784.0/20	1	fork
46	0.017.7622.0/10	1	lever
47	0.017.7597.2	1	lever
48	0.018.9882.2	1	plate
49	0.017.4996.0/10	1	pin
50	0.017.7964.2	1	lever
52	0.445.6420.0/10	1	rod
53	0.445.6421.0/10	1	rod
54	0.445.6454.0/30	1	rod
55	2.0112.213.2	5	screw m 8 p.1.25 x 35
60	2.0112.407.2	2	screw m 12 p.1.75 x 20
64	2.0399.019.1	3	screw m 8 p.1 x 16
69	2.1120.007.2	2	self-locking nut m 12 p.1.75
88	2.1470.004.2	2	lock washer 8
89	2.1475.002.2	15	conical washer 8
91	2.1475.004.2	2	spring washer 12
97	2.1519.075.0	1	oil seal 22 x 35 x 6
107	2.1560.008.0	3	gasket 12.2 x 18
128	2.1699.159.0	2	cap 10 x 14.1
129	2.1720.010.0	1	key 5x9
132	2.2725.030.0	2	roller cage 22 x 28 x 16
135	2.2999.156.0	4	ball Ø 10
146	2.3131.001.4	1	plug m 12 p.1.5
148	2.3199.164.2/20	2	plug m 12 p.1.5
150	2.4019.622.1	3	spring 6.3 x 9.5 x 1.6 x 22.4
151	2.4019.698.1/10	1	spring 21 x 25 x 46
170	2.1549.124.2	1	spacer 13 x 25 x 6
171	2.1310.010.2	2	flat washer 17x30
172	2.1519.078.0	2	special oil seal 16 x 24 x 6
173	2.1475.004.7	1	washer 13 x 24
174	2.2725.020.0	2	roller cage 16x22x16
175	2.0112.215.2	1	screw m 8 p.1.25 x 40
180	0.017.8358.0/10	1	cover



9_Y8133_00_0-G-001

INTERNAL CONTROLS FOR 5 SPEED GEARBOX WITH H-M-L

Fig.	P/n	QTY	Name
181	2.0312.101.2	3	screw m 6 p.1 x 10
182	2.1312.003.2	3	washer 6



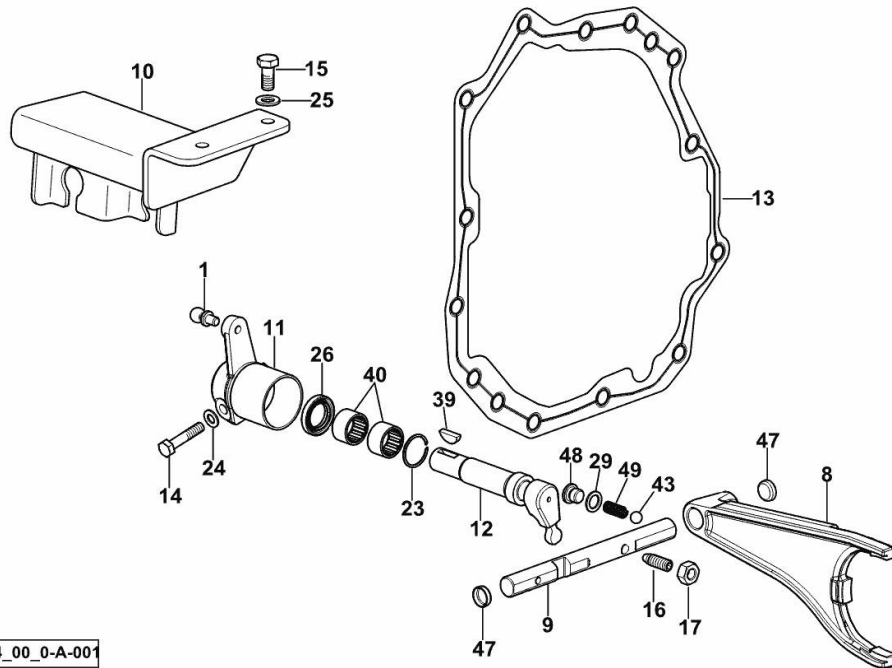
9_Y8133_00_0-G-001

REDUCTION GEAR CONTROL

Fig.	P/n	QTY	Name
------	-----	-----	------

Notes:
[Virtus 130]

1	0.014.1947.0	1	small pin
8	0.018.8628.0/10	1	fork
9	0.018.8633.0	1	rod
10	0.019.0601.2	1	support
11	0.019.0324.2/10	1	lever
12	0.019.0328.0/10	1	lever
13	0.019.0408.0	1	gasket
14	2.0112.215.2	1	screw m 8 p.1.25 x 40
15	2.0112.308.2	2	screw m 10 p.1.5x22
16	2.0399.050.2	1	screw m 10 p.1 x 30
17	2.1011.406.2	1	nut m 10 p.1
23	2.1423.019.7	1	ring 28
24	2.1475.002.2	1	conical washer 8
25	2.1475.003.2	2	washer 10
26	2.1519.075.0	1	oil seal 22 x 35 x 6
29	2.1560.008.0	1	gasket 12.2 x 18
39	2.1720.010.0	1	key 5x9
40	2.2725.030.0	2	roller cage 22 x 28 x 16
43	2.2999.156.0	1	ball Ø 10
47	2.3171.007.4	2	plug Ø 18
48	2.3199.164.2/20	1	plug m 12 p.1.5
49	2.4019.622.1	1	spring 6.3 x 9.5 x 1.6 x 22.4



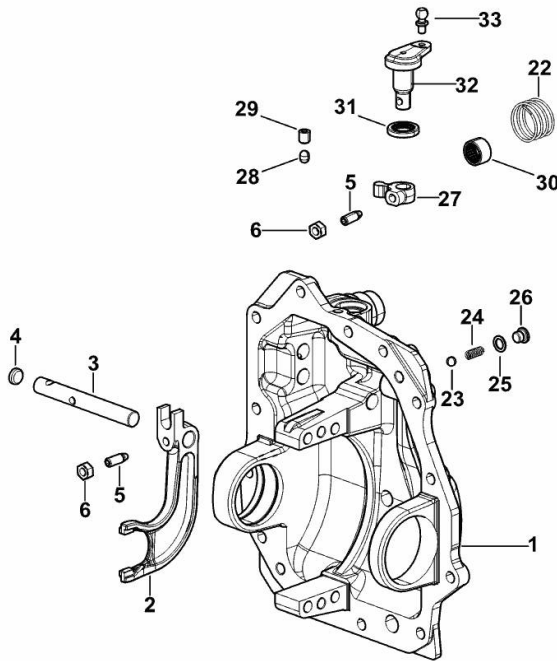
9_Y8134_00_0-A-001

RANGE GEARBOX INTERNAL CONTROLS

Fig.	P/n	QTY	Name
------	-----	-----	------

Notes:
[Virtus 130]

1	0.018.9749.0/30	1	cover
2	0.018.8775.0/10	1	fork
3	0.018.8634.0	1	rod
4	2.3171.007.4	1	plug Ø 18
5	2.0399.050.2	2	screw m 10 p.1 x 30
6	2.1011.406.2	2	nut m 10 p.1
22	2.4019.836.1	1	spring
23	2.2999.156.0	1	ball Ø 10
24	2.4019.622.1	1	spring 6.3 x 9.5 x 1.6 x 22.4
25	2.1560.008.0	1	gasket 12.2 x 18
26	2.3199.164.2/20	1	plug m 12 p.1.5
27	0.018.9857.0/10	1	small lever
28	2.1699.159.0	1	cap 10 x 14.1
29	2.3131.001.4	1	plug m 12 p.1.5
30	2.2725.030.0	1	roller cage 22 x 28 x 16
31	2.1519.075.0	1	oil seal 22 x 35 x 6
32	0.018.9865.0/10	1	lever
33	0.014.1947.0	1	small pin



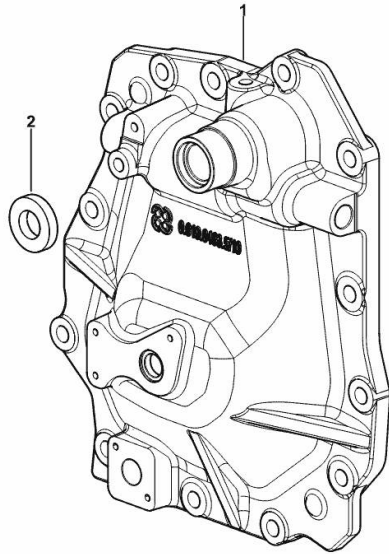
9_Y8134_02_0-A-001

Section: D0 - TRANSMISSION
RANGE GEARBOX COVER

Fig.	P/n	QTY	Name
------	-----	-----	------

Notes:
 [Virtus 130]

1	0.019.0463.0/20	1	cover
2	2.1549.749.2	1	spacer 22.2x43x8.8



9_Y8134_01_0-A-001

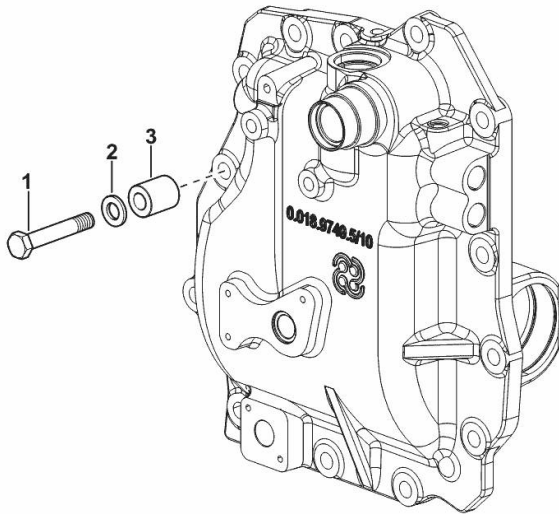
RANGE GEARBOX COMPLETION

Fig.	P/n	QTY	Name
------	-----	-----	------

Notes:

[Virtus 130]

1	2.0112.423.2	1	screw m 12 p.1.75 x 70
2	2.1475.104.7	1	washer 13 x 24
3	2.1579.820.2	1	spacer 13x25x30



9_Y8534_07_0-A-001

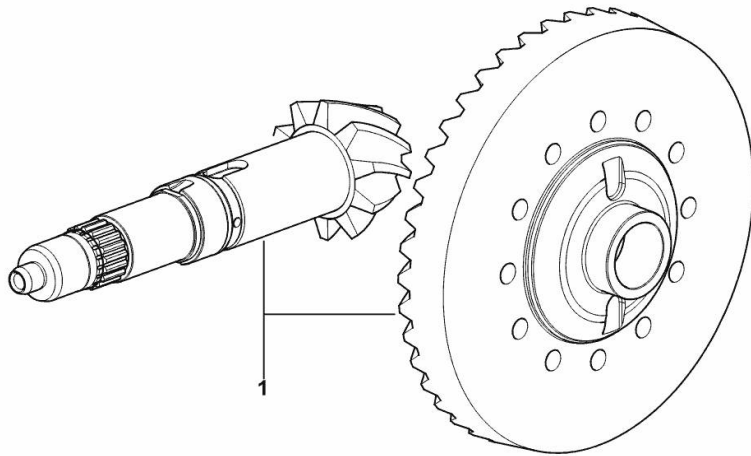
BEVEL WHEEL GEAR Z = 10 / Z = 39

Fig.	P/n	QTY	Name
------	-----	-----	------

Notes:

[Virtus 130]

1	0.018.8248.3/20	1	bevel drive Z = 10 / Z = 39
---	-----------------	---	-----------------------------



9_Y8135_01_0-A-001

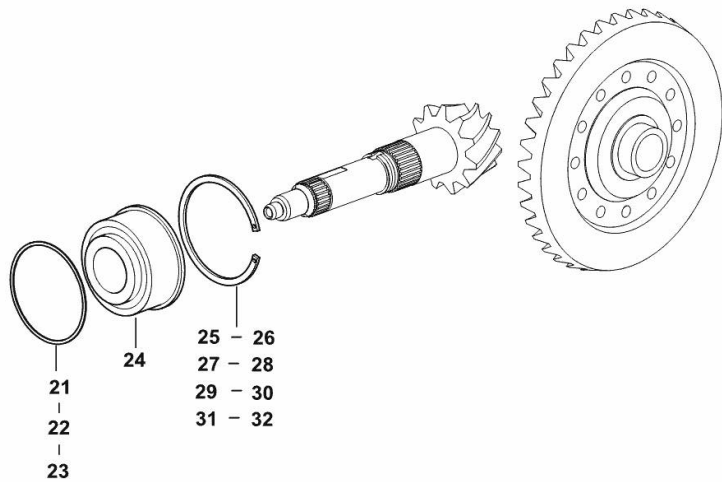
BEVEL DRIVE PINION BEARING

Fig.	P/n	QTY	Name
------	-----	-----	------

Notes:

- FOR TYPES WITHOUT SBA / ASM [Virtus 130]

21	2.1589.167.0	1	shoulder ring 105 x 112 x 0.15
22	2.1589.168.0	1	shoulder ring 105 x 112 x 0.1
23	2.1589.169.0	1	shoulder ring 105 x 112 x 0.5
24	2.2999.502.0/10	1	special bearing
25	2.1499.061.1	0.12	circlip 120x3.4
26	2.1499.062.1	0.12	circlip 120x3.5
27	2.1499.063.1	0.12	circlip 120x3.6
28	2.1499.064.1	0.12 <td circlip 120x3.7	
29	2.1499.065.1	0.12	circlip 120x3.8
30	2.1499.066.1	0.12	circlip 120x3.9
31	2.1499.067.1	0.12	circlip 120x4
32	2.1499.068.1	0.12	circlip 120x4.1



9_J1535_04_0-B-001

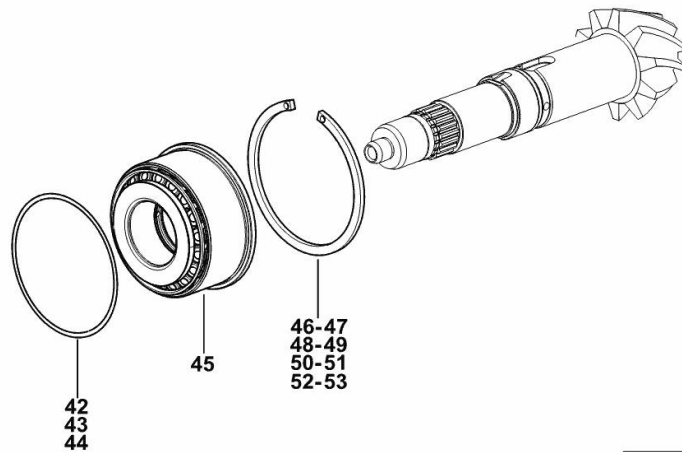
BEVEL DRIVE PINION BEARING

Fig.	P/n	QTY	Name
------	-----	-----	------

Notes:

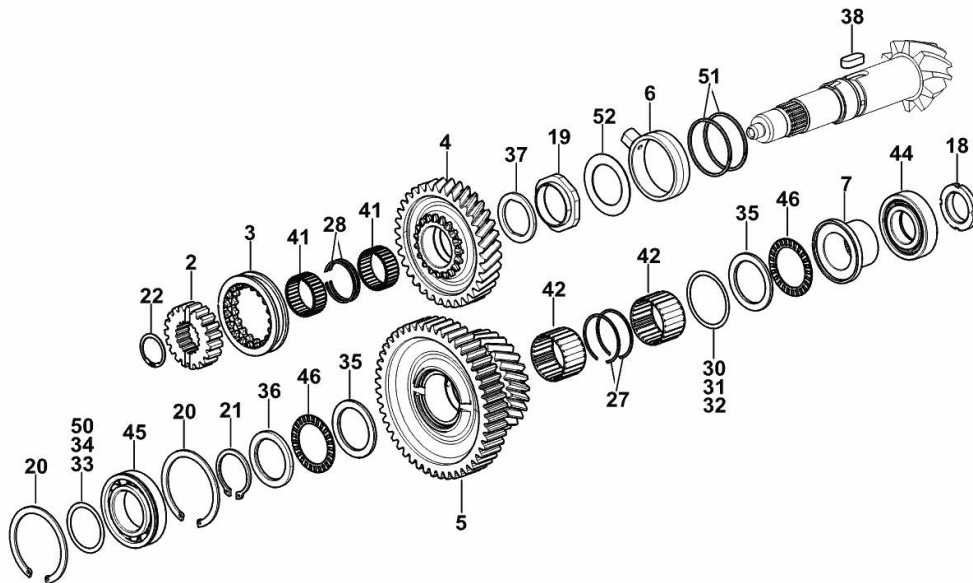
- FOR TYPES WITH SBA / ASM [Virtus 130]

42	2.1589.167.0	1	shoulder ring 105 x 112 x 0.15
43	2.1589.168.0	1	shoulder ring 105 x 112 x 0.1
44	2.1589.169.0	1	shoulder ring 105 x 112 x 0.5
45	2.2999.502.0/10	1	special bearing
46	2.1499.061.1	0.12	circlip 120x3.4
47	2.1499.062.1	0.12	circlip 120x3.5
48	2.1499.063.1	0.12	circlip 120x3.6
49	2.1499.064.1	0.12	circlip 120x3.7
50	2.1499.065.1	0.12	circlip 120x3.8
51	2.1499.066.1	0.12	circlip 120x3.9
52	2.1499.067.1	0.12	circlip 120x4
53	2.1499.068.1	0.12	circlip 120x4.1



9_Y8135_00_0-B-001

SPEED RANGE REDUCTION GEAR UNIT



9_Y8134_00_0-B-001

Fig.	P/n	QTY	Name
------	-----	-----	------

Notes:
[Virtus 130]

2	0.018.8256.0	1	hub
3	0.018.8258.0	1	sleeve
4	0.018.8263.0	1	gear Z = 34 - 26
5	0.018.8274.0/30	1	gear
6	0.020.0081.0	1	manifold
7	0.018.8580.0/10	1	bushing
18	2.1219.068.2	1	ring nut m 38 x 1.5
19	2.1219.075.7/10	1	ring nut
20	2.1411.036.1	2	circlip 90
21	2.1412.019.7	1	circlip 50x3
22	2.1419.067.0	1	circlip 35 x 1.5
27	2.1423.043.0	2	circlip 58x1.5
28	2.1423.038.7	2	circlip 50
30	2.1580.204.0	1	shim 60.5x70x0.2
31	2.1580.205.0	2	shim 60.5x70x0.5
32	2.1580.213.0	2	shim 60.5x70x0.15
33	2.1580.216.0	2	shim 50.5x62x0.5
34	2.1580.215.0	1	shim 50.5x62x0.2
35	2.1599.549.0	2	slewing ring 52x70x4
36	2.1599.550.0	1	shoulder ring 50x68x5
37	2.1599.923.0	1	shoulder ring 45x60x4
38	2.1799.038.0	1	key
41	2.2770.077.0	2	roller cage 42x50x20
42	2.2999.126.0	2	roller cage 50x58x35
44	2.2999.174.0/10	1	special bearing 40 x 80 x 18
45	2.2999.203.0	1	special bearing 50 x 90 x 20
46	2.2999.228.0	2	roller cage 50x70x3
50	2.1580.217.0	2	shim 50.5x62 0.05
51	2.1569.245.0	2	oil seal 66x70x2
52	2.1599.927.0	1	spacer 50.2x75x1.5



Suggest:

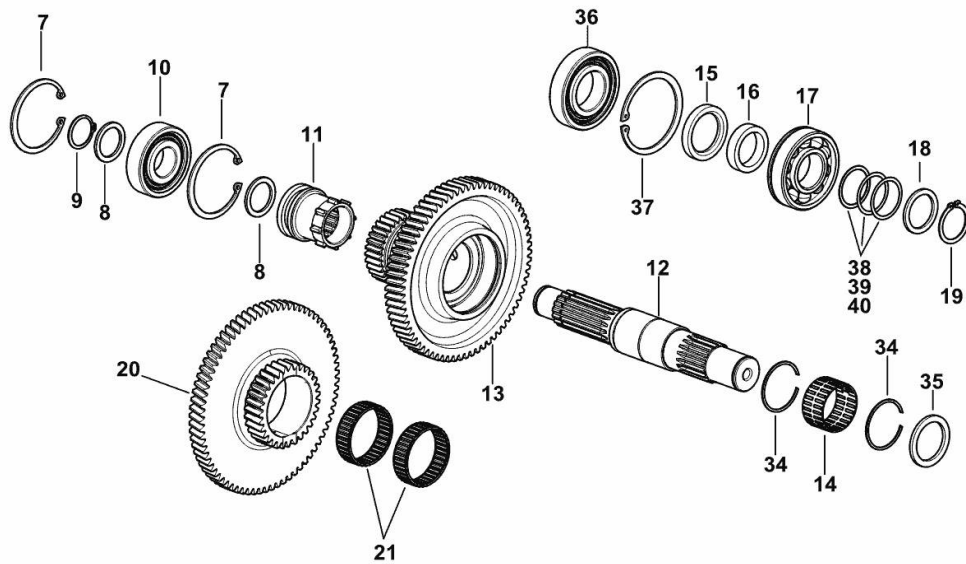
For more complete manuals. Please go to the home page.

<https://www.ebooklibonline.com>

If the above button click is invalid. Please download this document first, and then click the above link to download the complete manual.

Thank you so much for reading

SPEED RANGE REDUCTION GEAR UNIT



9_Y8134_02_0-B-001

Fig.	P/n	QTY	Name
------	-----	-----	------

Notes:

[Virtus 130]

7	2.1411.029.1	2	circlip 72
8	2.1549.605.0	2	spacer 30x40x3
9	2.1410.012.7	1	circlip
10	2.2060.009.0	1	ball bearing 30 x 72 x 19
11	0.018.8721.0/10	1	sleeve
12	0.019.1782.0	1	shaft
13	0.018.7350.0	1	gear Z = 32 / 70
14	2.2999.456.0	1	roller cage 45x50x27
15	2.1549.763.0	1	spacer 40x55x8
16	2.1549.740.0	1	spacer 35.2x50x11
17	2.2999.235.0	1	special bearing 35 x 80 x 21
18	2.1599.874.0	1	washer 35 x 45 x 3.0
19	2.1410.014.7	1	circlip 35
20	0.018.8367.0	1	gear Z = 73 / 31
21	2.2770.282.0	2	roller cage 55x62x18
34	2.1423.038.7	2	circlip 50
35	2.1599.791.0/10	1	spacer
36	2.2040.012.0	1	ball bearing iso 40 bc 02
37	2.1411.032.7	1	circlip Ø mm 80
38	2.1580.101.0	0.3	shim 36 x 43 x 0.2
39	2.1580.102.0	0.3	shim 36 x 43 x 0.5
40	2.1580.109.0	0.4	shim 36x43x0.15

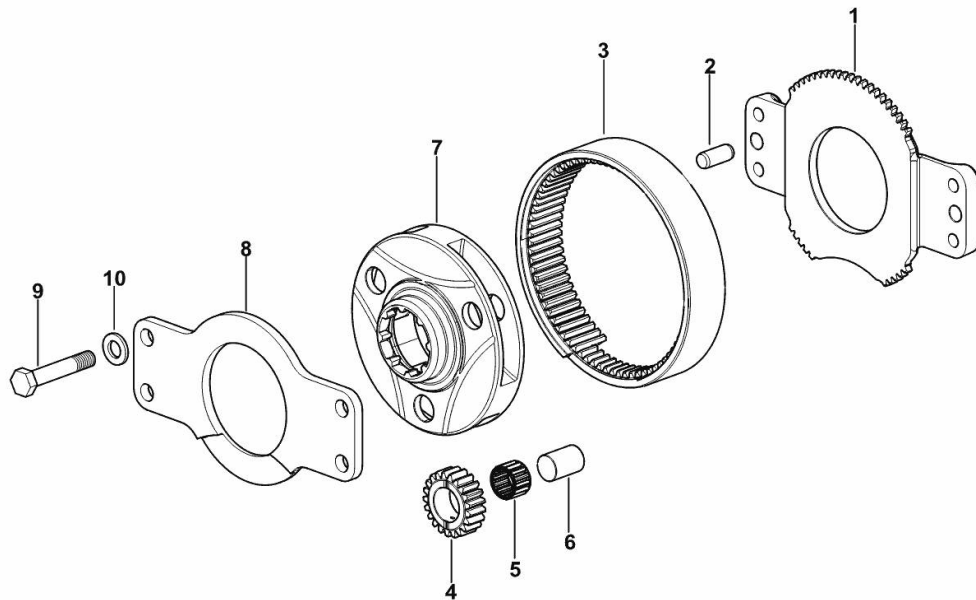
CREEPER GEARS

Fig.	P/n	QTY	Name
------	-----	-----	------

Notes:

[Virtus 130]

1	0.019.1988.0	1	flange
2	2.1651.912.0	2	cylindrical plug 12x28
3	0.018.8709.0	1	crown wheel
4	0.018.8647.0	3	planet gear Z=21
5	2.2770.165.0	3	roller cage 20x26x17
6	0.018.8710.0	3	pin
7	0.018.8746.0	1	spider
8	0.018.8714.0/10	1	flange
9	2.0112.422.2	4	screw m 12 p.1.75 x 65
10	2.1475.104.7	4	washer 13 x 24



9_Y8134_04_0-A-001

<https://www.ebooklibonline.com>

Hello dear friend!

Thank you very much for reading.

Enter the link into your browser.

The full manual is available for immediate download.

<https://www.ebooklibonline.com>