

Section: ENGINE

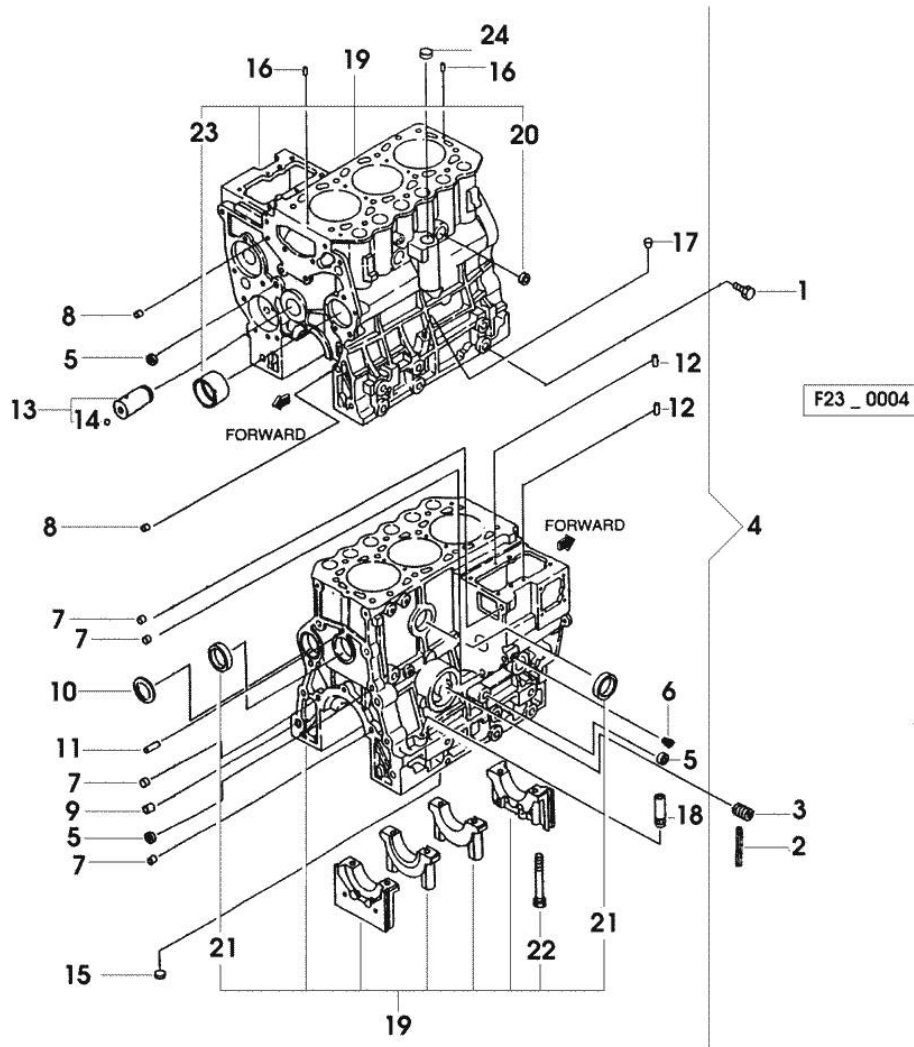
CRANKCASE

Fig.	P/n	QTY	Name
------	-----	-----	------

Notes:

[SOLARIS 25 HYDRO -> 2001]

1	0.010.2648.1	4	screw
2	0.010.2651.2	4	gasket
3	0.010.2650.2	1	pipe fitting
4	0.010.2652.0	1	crankcase
5	0.010.2649.1	3	special bushing
6	0.009.4545.1	1	plug
7	0.009.4524.2	4	special bushing
8	0.009.4525.1	2	special bushing
9	0.009.4525.2	1	special bushing
10	0.009.4524.1	1	expansion plug
11	0.009.4524.0	1	pin
12	0.009.4523.0	2	pin
13	0.010.2650.0	1	pin
14	0.010.2650.1	1	ball
15	0.010.2649.0	1	plug
16	0.010.2651.0	2	pin
17	0.010.2651.1	1	plug
18	0.009.4523.2	1	guide
19	0.000.0000.1		cannot be supplied
20	0.010.2652.1	2	special bushing
21	0.010.2652.2	2	special bushing
22	0.010.2653.0	8	screw
23	0.010.2653.1	1	special bushing
24	0.010.2648.2	1	plug

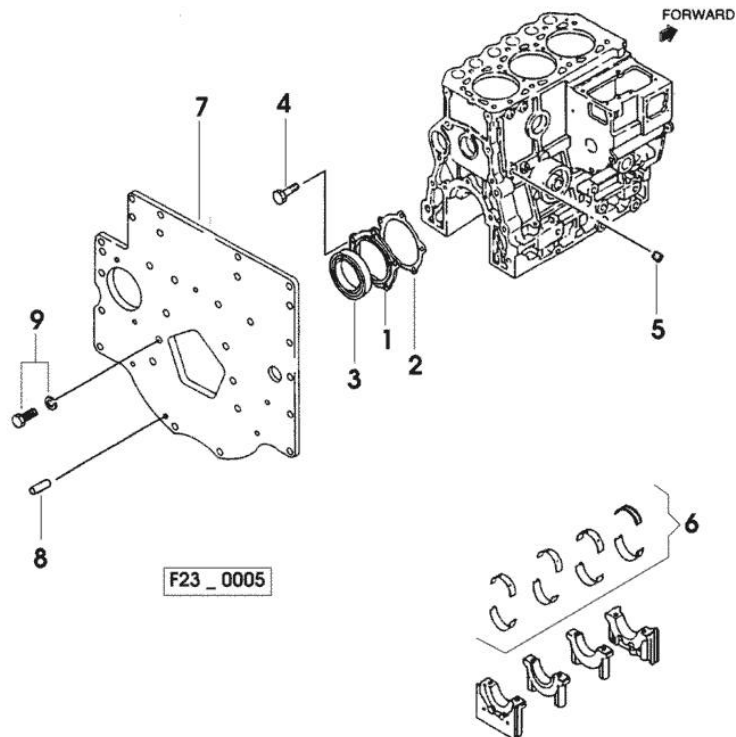


Section: ENGINE  
**CRANKCASE**

Fig.	P/n	QTY	Name
------	-----	-----	------

Notes:  
 [SOLARIS 25 HYDRO -> 2001]

1	0.010.2654.2	1	flange
2	0.010.2655.0	1	gasket
3	0.010.2655.1	1	special oil seal
4	0.010.2655.2	5	screw
5	0.009.4530.0	1	plug
6	0.009.4754.0	1	main half bushing STANDARD
6	0.009.4754.1	1	main half bushing - mm 0.25
6	0.009.4754.2	1	main half bushing - mm 0.50
6	0.009.4754.3	1	main half bushing - mm 0.75
7	0.010.2656.0	1	flange
8	0.009.4532.2	1	pin
9	0.010.2656.1	6	screw



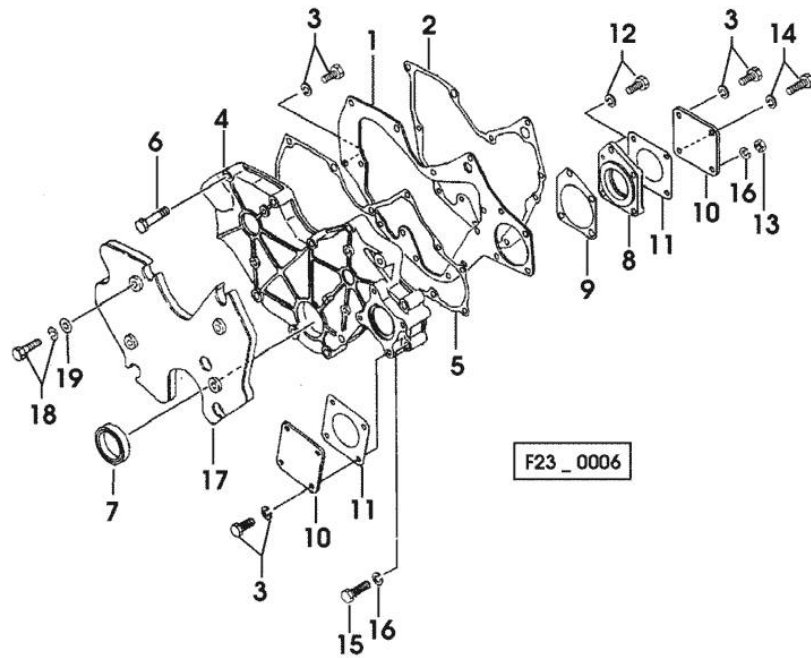
Section: ENGINE

**TIMING CASE**

Fig.	P/n	QTY	Name
------	-----	-----	------

Notes:

[SOLARIS 25 HYDRO -> 2001]



1	0.010.2658.0	1	plate
2	0.010.2658.1	1	gasket
3	0.010.2639.1	10	screw
4	0.010.2658.2	1	flange
5	0.010.2659.0	1	gasket
6	0.010.2659.1	8	screw
7	0.010.2659.2	1	special oil seal
8	0.010.2660.0	1	flange
9	0.010.2660.1	1	gasket
10	0.009.4756.0	2	cover
11	0.010.2660.2	2	gasket
12	0.010.2661.0	1	screw
13	0.010.2661.1	2	nut
14	0.010.2661.2	1	screw
15	0.010.2662.0	2	screw
16	0.009.4539.2	2	spring washer
17	0.010.2662.1	1	cover
18	0.010.2662.2	4	screw
19	0.010.2663.0	4	washer

**<https://www.ebooklibonline.com>**

Hello dear friend!

Thank you very much for reading.

Enter the link into your browser.

The full manual is available for immediate download.

**<https://www.ebooklibonline.com>**

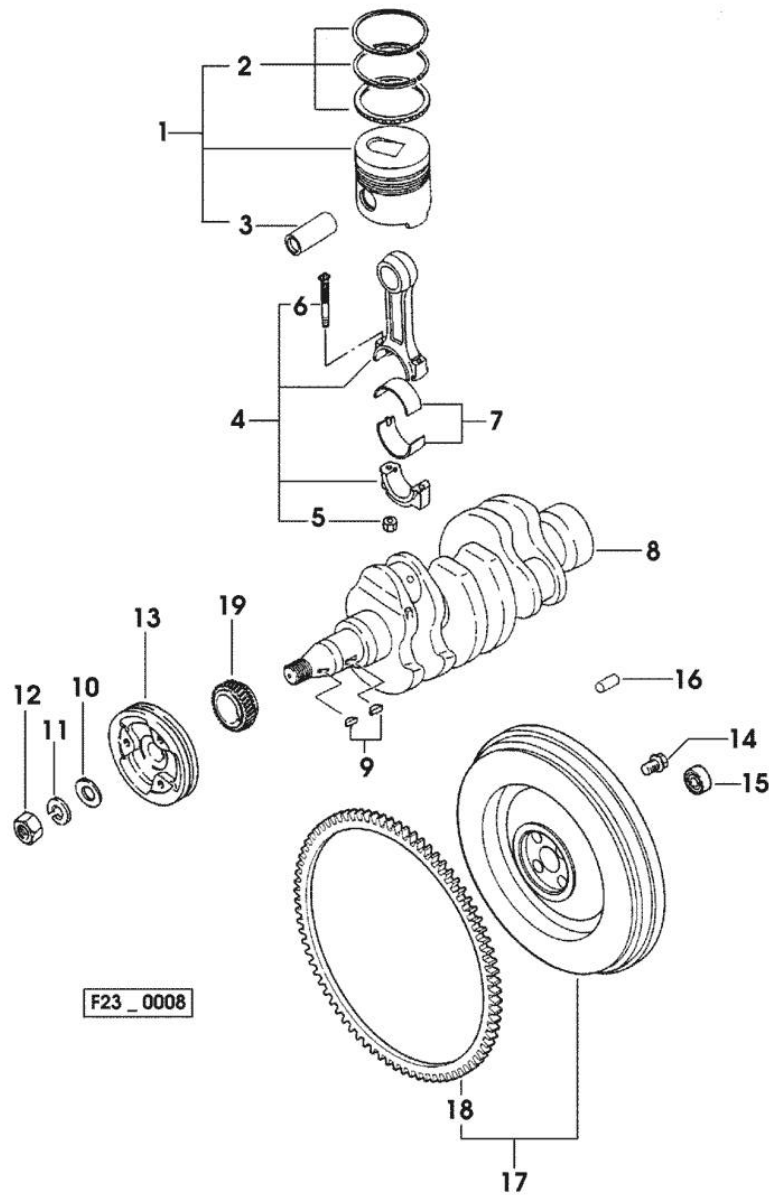
Section: ENGINE

**CRANKSHAFT**

Fig.	P/n	QTY	Name
------	-----	-----	------

Notes:  
[SOLARIS 25 HYDRO -> 2001]

1	0.007.0060.6	3	complete piston STANDARD
1	0.007.0061.6	3	complete piston + mm 0.25
1	0.007.0062.6	3	complete piston + mm 0.50
2	0.008.0052.6	3	piston ring set STANDARD
2	0.008.0053.6	3	piston ring set + mm 0.25
2	0.008.0054.6	3	piston ring set + mm 0.50
3	0.010.2668.0	3	piston pin
4	0.010.2668.1	3	engine connecting rod
5	0.009.4783.0	6	nut
6	0.010.2668.2	6	screw
7	0.009.4782.1	3	con.rod half bushing STANDARD
7	0.010.2669.0	3	con.rod half bushing - mm 0.25
7	0.010.2669.1	3	con.rod half bushing - mm 0.50
7	0.010.2669.2	3	con.rod half bushing - mm 0.75
8	0.010.2670.0	1	crankshaft
9	0.009.4555.1	2	key
10	0.009.4554.2	1	flat washer
11	0.009.4555.0	1	spring washer
12	0.009.4554.1	1	nut
13	0.010.2670.1	1	pulley
14	0.009.4557.0	4	screw
15	0.009.4556.1	1	special bearing
16	0.009.4556.2	3	pin
17	0.010.2670.2	1	flywheel
18	0.010.2671.0	1	crown wheel Z=110
19	0.010.2671.1	1	gear

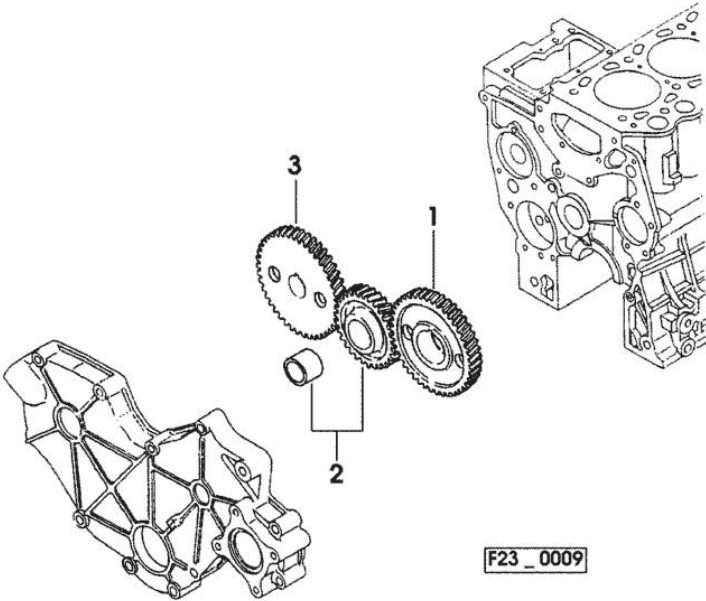


Section: ENGINE  
CAMSHAFT

Fig.	P/n	QTY	Name
------	-----	-----	------

Notes:  
[SOLARIS 25 HYDRO -> 2001]

1	0.010.2674.1	1	gear Z = 56
2	0.010.2674.2	1	gear Z = 56
2	0.010.2675.0	1	gear Z = 56 - EXPORT U.S.A.
3	0.010.2675.1	1	gear Z = 39



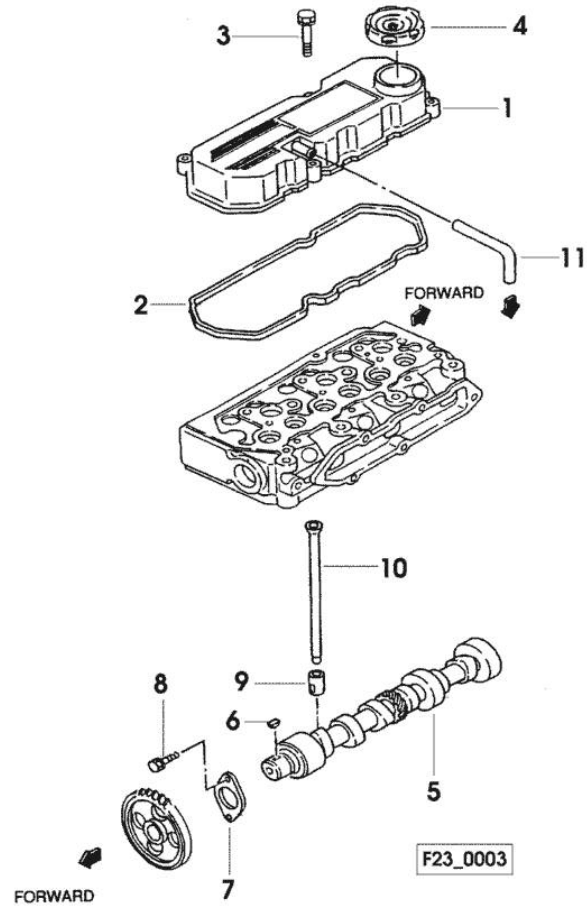
**CAMSHAFT**

Fig.	P/n	QTY	Name
------	-----	-----	------

**Notes:**

[SOLARIS 25 HYDRO -> 2001]

1	0.010.2644.2	1	cover
2	0.010.2645.1	1	gasket
3	0.010.2645.2	4	screw
4	0.009.4548.0	1	plug
5	0.010.2646.0	1	camshaft
6	0.009.4555.1	1	key
7	0.010.2646.1	1	small plate
8	0.010.2639.1	2	screw
9	0.009.4562.2	6	tappets
10	0.010.2646.2	6	rod
11	0.010.2647.0	1	tube

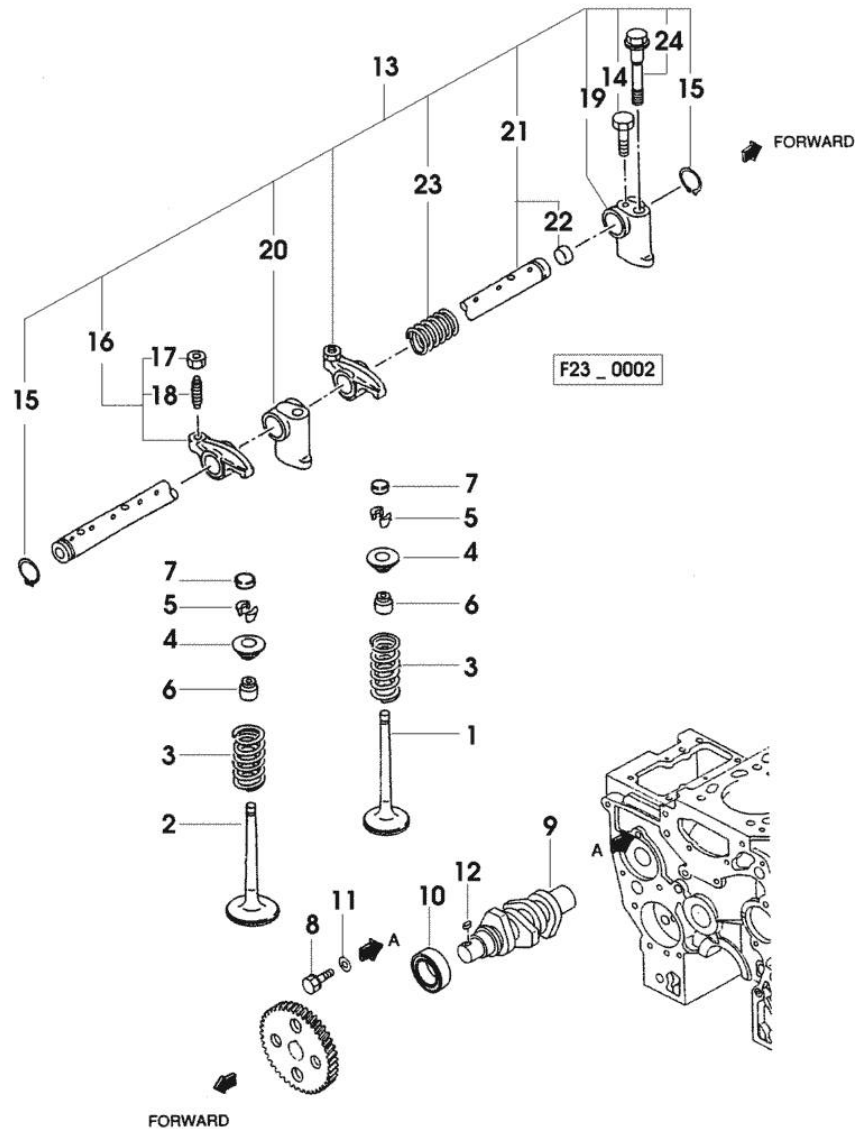


Section: ENGINE  
CYLINDER HEAD

Fig.	P/n	QTY	Name
------	-----	-----	------

Notes:  
[SOLARIS 25 HYDRO -> 2001]

1	0.010.2637.2	3	inlet valve Ø mm 6.5
2	0.010.2638.0	3	exhaust valve Ø mm 6.5
3	0.010.2638.1	6	spring
4	0.010.2638.2	6	cup
5	0.009.4561.2	12	stop
6	0.009.4562.0	6	gasket
7	0.010.2639.0	6	cap
8	0.010.2639.1	1	screw
9	0.010.2639.2	1	camshaft
10	0.009.4567.0	1	special bearing
11	0.009.4566.0	1	washer
12	0.009.4567.2	1	stick
13	0.010.2640.0	1	shaft
14	0.010.2640.1	1	screw
15	0.009.4559.0	2	ring
16	0.010.2640.2	6	rocker arm
17	0.010.2641.0	6	nut
18	0.010.2641.2	6	screw
19	0.010.2642.0	1	support
20	0.010.2642.1	2	support
21	0.010.2642.2	1	shaft
22	0.010.2643.0	2	plug
23	0.010.2643.1	2	spring
24	0.010.2643.2	3	screw



Section: ENGINE  
CYLINDER HEAD

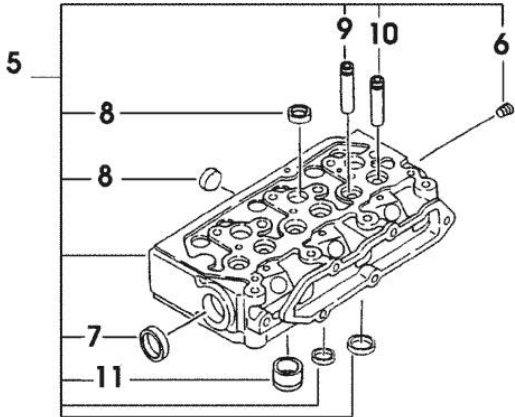
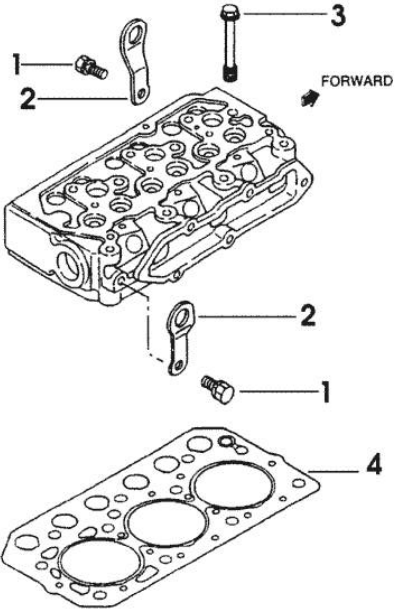


Fig.	P/n	QTY	Name
------	-----	-----	------

Notes:  
[SOLARIS 25 HYDRO -> 2001]

1	0.010.2633.0	2	screw
2	0.009.4541.2	2	bracket
3	0.010.2633.1	11	screw
4	0.010.2633.2	1	gasket
5	0.010.2634.0	1	engine head
6	0.009.4545.1	1	plug
7	0.010.2634.1	1	plug
8	0.009.4527.0	5	plug
9	0.010.2634.2	3	valve guide
10	0.010.2635.0	3	valve guide
11	0.010.2635.1	3	special bushing



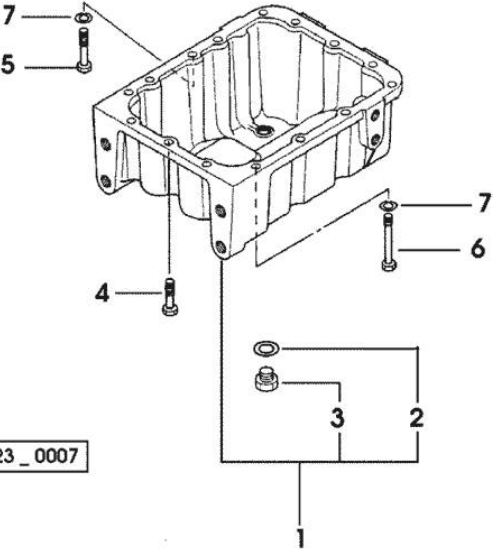
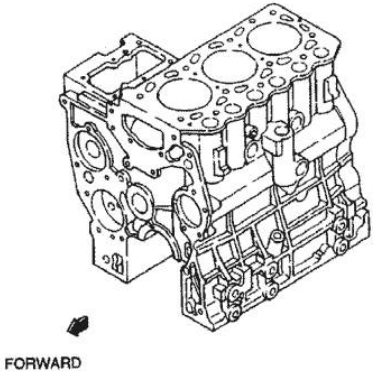
F23\_0001

OIL PAN

Fig.	P/n	QTY	Name
------	-----	-----	------

Notes:  
 [SOLARIS 25 HYDRO -> 2001]

1	0.010.2663.1	1	oil sump
2	0.010.2663.2	1	gasket
3	0.010.2664.0	1	plug
4	0.010.2664.1	10	screw
5	0.010.2664.2	1	screw
6	0.010.2665.0	4	screw
7	0.010.2665.1	5	washer





**Suggest:**

**For more complete manuals. Please go to the home page.**

**<https://www.ebooklibonline.com>**

**If the above button click is invalid. Please download this document first, and then click the above link to download the complete manual.**

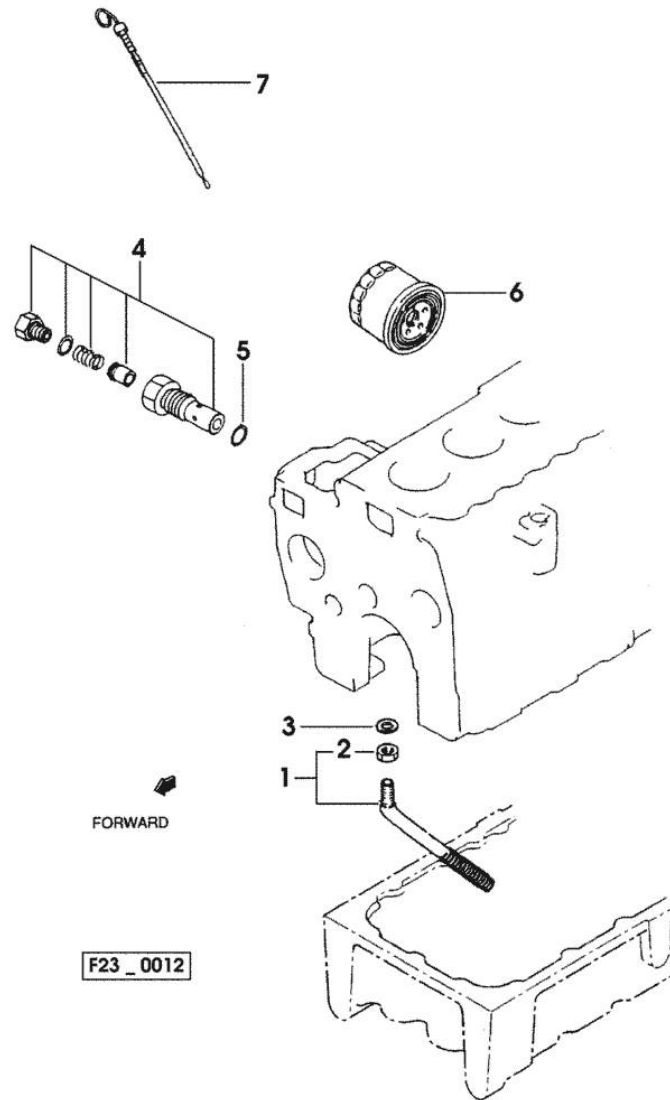
**Thank you so much for reading**

Section: ENGINE  
**LUBRICATION**

Fig.	P/n	QTY	Name
------	-----	-----	------

Notes:  
 [SOLARIS 25 HYDRO -> 2001]

1	0.010.2685.2	1	tube
2	0.009.4634.0	1	self-locking nut
3	0.009.4634.1	1	gasket
4	0.010.2686.0	1	valve
5	0.010.2686.1	1	gasket
6	0.009.4794.1	1	oil filter element - X 25HP - 35HP
6	0.010.2687.0	1	oil filter element - X 45HP
7	0.010.2687.1	1	dipstick

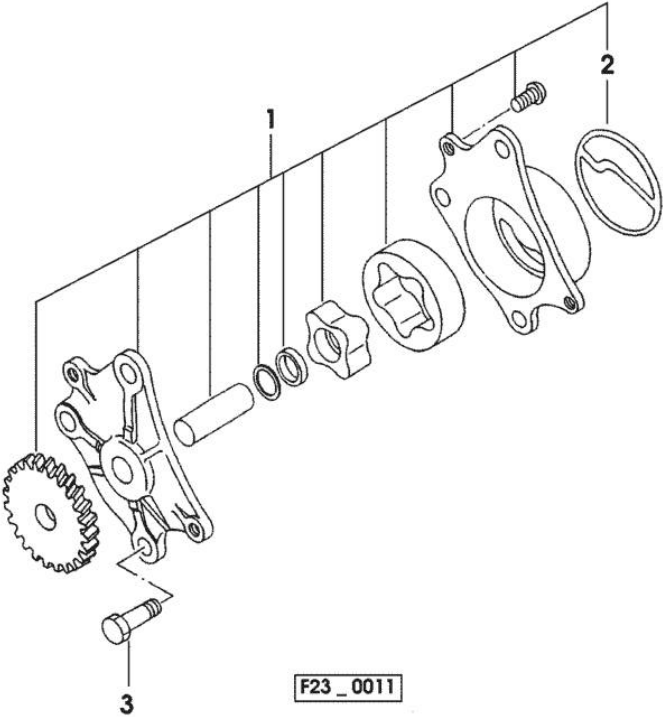


Section: ENGINE  
**LUBRICATION**

Fig.	P/n	QTY	Name
------	-----	-----	------

Notes:  
[SOLARIS 25 HYDRO -> 2001]

1	0.010.2684.2	1	oil pump
2	0.010.2685.0	1	gasket
3	0.010.2685.1	3	screw



**<https://www.ebooklibonline.com>**

Hello dear friend!

Thank you very much for reading.

Enter the link into your browser.

The full manual is available for immediate download.

**<https://www.ebooklibonline.com>**