

Section: ENGINE  
**CRANKCASE**

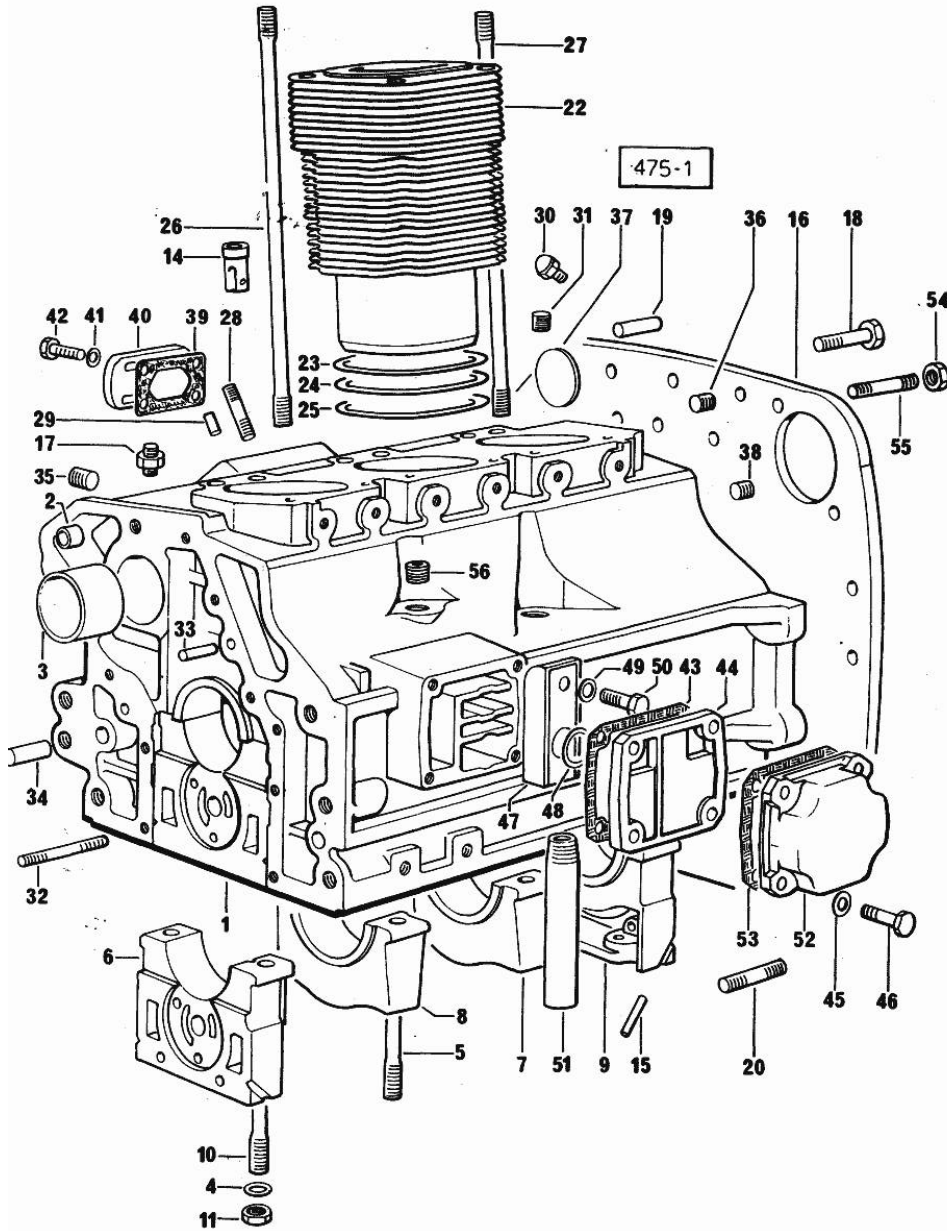


Fig.	P/n	QTY	Name
------	-----	-----	------

Notes:  
 [SOLAR 55 C]

0	0.068.0050.6	1	gasket set FOR ENGINE ASSEMBLY
1	0.054.1110.4/40	1	crankcase
2	2.1559.111.0/10	2	special bushing 11.5x14.1x10
3	0.037.1155.0	1	bushing
4	2.1599.144.7	8	shoulder ring 12.5x23x4
5	0.029.1117.0	4	stud bolt
6	0.054.1112.0	1	support
7	0.037.1114.0	1	support
8	0.029.1113.0	1	support
9	0.029.1116.0	1	support
10	0.021.1157.0	4	stud bolt
11	2.1019.026.7	8	special nut m 12 p.1.5
14	0.044.1156.0	8	special bushing
15	0.029.1154.0	4	gasket
16	0.054.1130.0/10	1	flange
17	0.054.1152.0	1	pipe fitting
18	2.0112.511.1	11	screw m 14 p.2 x 30
19	2.1652.911.0	2	cylindrical plug 12x25
20	2.0432.155.7	2	stud bolt m 10 p.1.5 / p. 1.25 x 25
22	0.063.1120.0	3	engine cylinder
23	2.1589.052.0	7	shoulder ring 115x123x0.2
24	2.1589.051.0	3	shoulder ring 116x123x0.1
25	2.1569.076.0	3	gasket 116x123x0.5
26	0.041.1123.0/10	3	stud bolt
27	0.039.1122.0	12	stud bolt m 12 p.1.5x310
28	2.0432.003.7	4	stud bolt m 8 p.1.25 / p.1 x 20
29	2.1652.306.0	1	cylindrical plug 4x14
30	0.071.1151.3	3	valve
31	2.3130.001.1	2	plug 1/8" gas
32	2.0432.025.7	2	stud bolt m 8 p.1.25 - 1.00 x 100
33	2.1653.711.0	1	pin
34	2.1699.114.0	1	pin 8x55
35	2.3139.001.1	3	plug
36	2.3130.002.1	1	plug 1/4" gas
37	2.3170.022.1	1	expansion plug 60
38	2.3130.003.1	2	plug 3/8" gas
39	0.044.1151.0	1	gasket
40	0.044.1164.2/10	1	small cover
41	2.1310.004.2	4	flat washer 8.4x17
42	2.0112.204.2	4	screw m 8 p.1.25x14

Section: ENGINE  
CRANKCASE

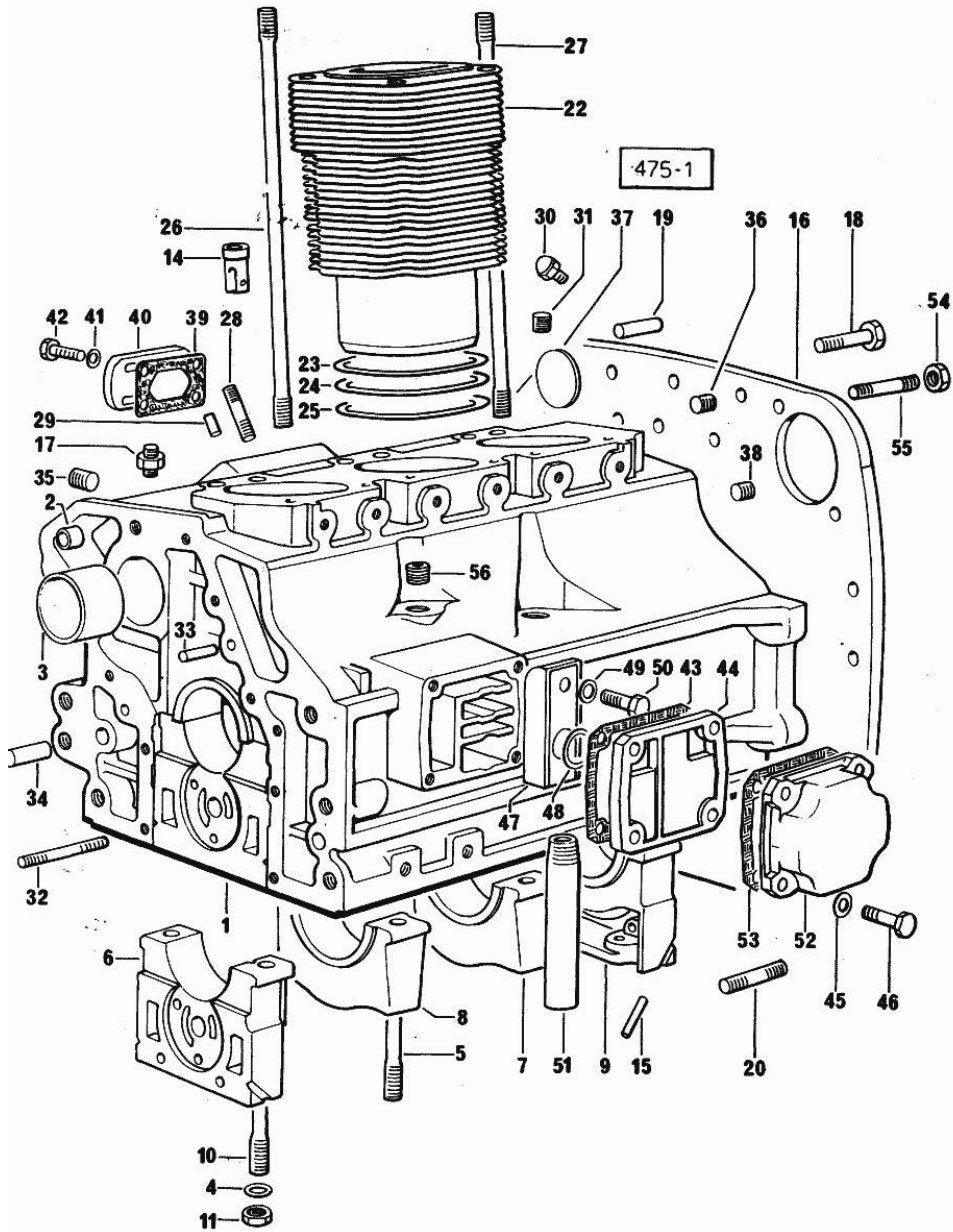


Fig.	P/n	QTY	Name
43	0.044.1153.0/10	1	gasket
44	0.071.1153.0	1	small cover
45	2.1474.009.1	4	spring washer 8
46	2.0112.211.2	4	screw m 8 p.1.25 x 30
47	0.071.1155.2	1	small guard
48	0.076.1156.0	1	-
49	2.1474.009.1	1	spring washer 8
50	2.0312.206.2	1	screw m 8 p 1.25 x 20
51	0.044.1152.0/10	1	tube
52	0.071.1154.0	1	small cover
53	0.044.1153.0	1	gasket
54	2.1011.207.1	2	nut m 12 p.1.5
55	2.0432.257.7	2	stud bolt m 12 p.1.75 - 1.25 x 30
56	2.3139.006.1	2	plug

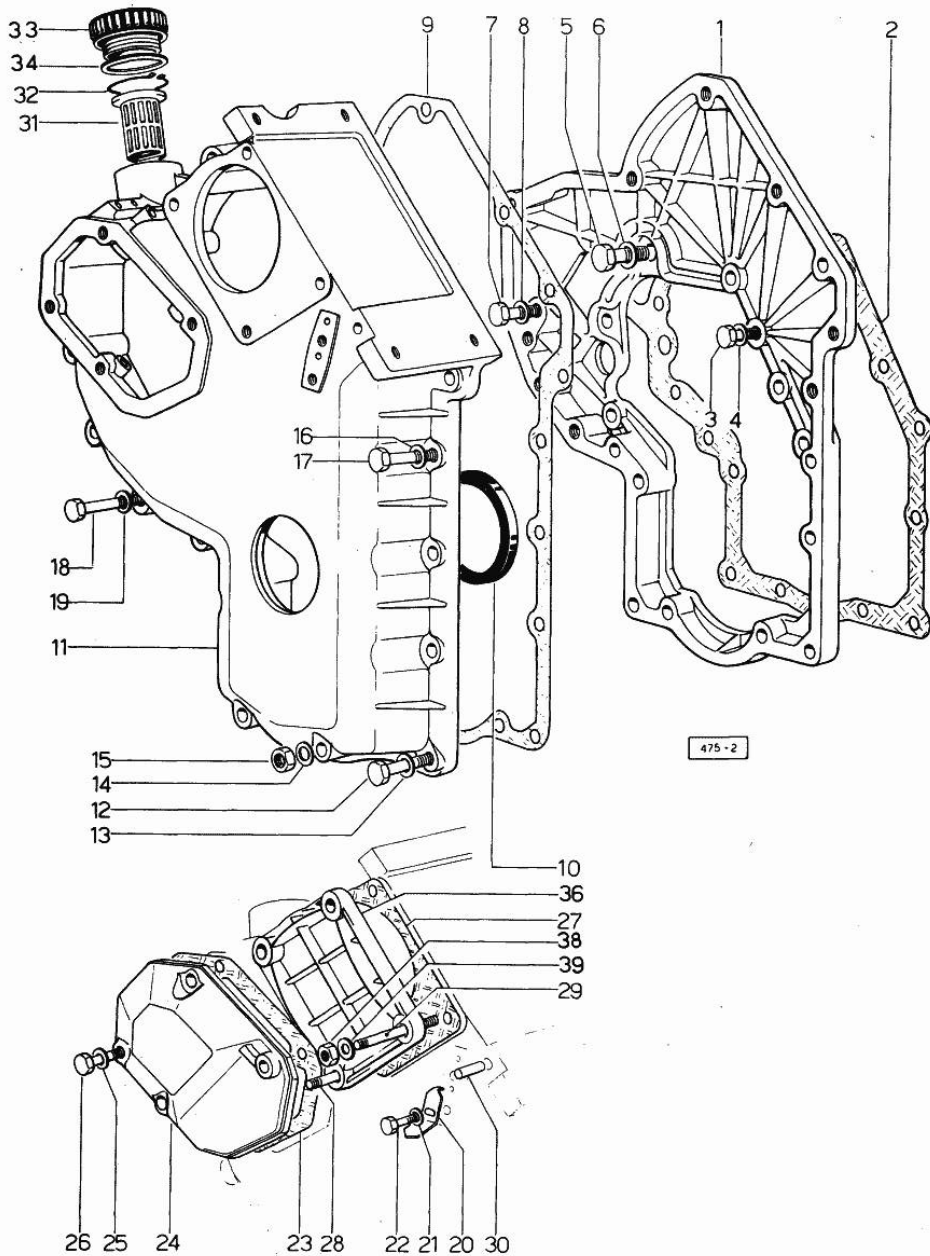
Section: ENGINE

**TIMING CASE**

Fig.	P/n	QTY	Name
------	-----	-----	------

Notes:  
[SOLAR 55 C]

1	0.048.1131.0	1	flange
2	0.041.1153.0	1	gasket
3	2.0112.209.2	2	screw m 8 p 1.25 x 25
4	2.1474.009.1	5	spring washer 8
5	2.0119.034.1	1	screw m 14 p.2x20
6	2.1560.010.0	1	gasket 14.2 x 20
7	2.0112.207.2	1	screw m 8 p 1.25 x 20
8	2.1474.009.1	1	spring washer 8
9	0.041.1152.0	1	gasket
10	2.1519.010.0	1	special oil seal 58x80x10
11	0.048.1132.0/40	1	guard
12	2.0112.217.2	5	screw m 8 p.1.25 x 45
13	2.1474.009.1	5	spring washer 8
14	2.1560.003.0	2	copper gasket 8.2 x 12
15	2.1011.405.2	2	nut m 8 p.1
16	2.1474.009.1	2	spring washer 8
17	2.0112.211.2	5	screw m 8 p.1.25 x 30
18	2.0112.222.2	4	screw m 8 p.1.25x65
19	2.1474.009.1	4	spring washer 8
20	0.041.1158.0	1	index
21	2.1310.004.2	1	flat washer 8.4x17
22	2.0112.204.2	1	screw m 8 p.1.25x14
23	0.048.1151.0/10	1	gasket
24	0.048.1150.0/20	1	cover
25	2.1560.006.0	4	gasket 10.2 x 16
26	2.0112.315.2	4	screw m 10 p.1.5 x 40
27	0.041.1154.0	1	gasket
28	2.0432.015.7	1	stud bolt m 8 p.1.25-1x50
29	2.0432.028.7	3	stud bolt m 8 p.1.25-1x130
30	2.1653.717.0	1	pin 8 x 40
31	0.041.1159.0/10	1	filter
32	2.1411.012.1	1	circlip 30
33	0.041.1135.4	1	plug 1" gas
34	2.1569.072.0	1	gasket 32 x 39.5 x 2
36	0.037.1151.0/10	1	cover
38	2.1011.505.2	4	nut m 8 p.1
39	2.1310.004.2	4	flat washer 8.4x17



**<https://www.ebooklibonline.com>**

Hello dear friend!

Thank you very much for reading.

Enter the link into your browser.

The full manual is available for immediate download.

**<https://www.ebooklibonline.com>**

Section: ENGINE  
**CRANKSHAFT**

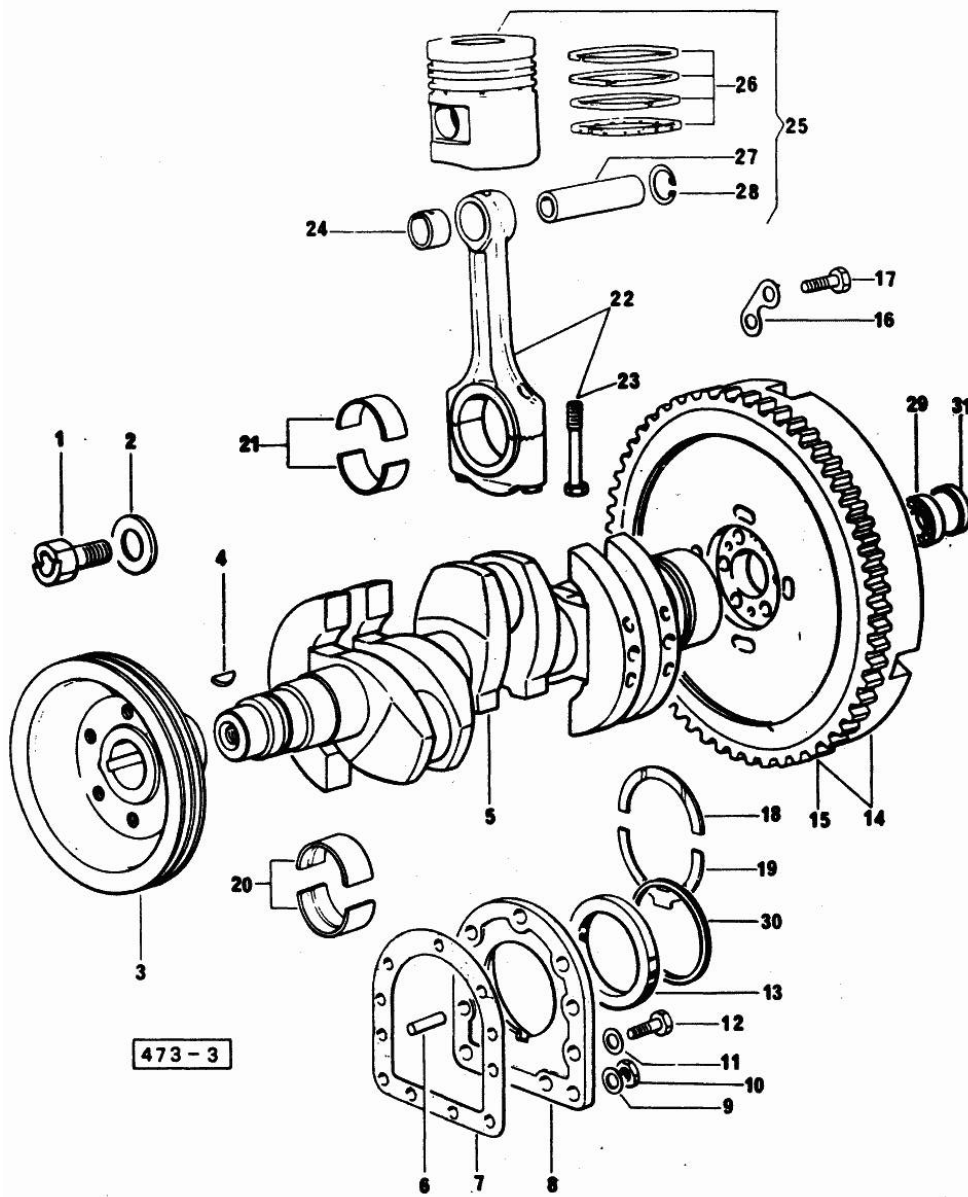


Fig.	P/n	QTY	Name
------	-----	-----	------

Notes:  
 [SOLAR 55 C]

1	2.0129.032.2	1	screw m 24 p.2x45
2	0.001.6020.0	1	shoulder
3	0.062.1250.0	1	pulley
4	2.1799.026.0	1	key 10x10
5	0.053.1210.4/10	1	crankshaft
6	2.1652.915.0	2	cylindrical plug 12x35
7	0.029.1250.0/10	1	gasket
8	0.045.1240.0	1	flange
9	2.1560.006.0	2	gasket 10.2 x 16
10	2.1011.421.2	2	nut m 10 p.1.25
11	2.1474.010.1	9	spring washer 10
12	2.0112.309.2	9	screw m 10 p.1.5 x 25
13	2.1529.045.0	1	oil seal
14	0.035.1264.3/10	1	flywheel
14	0.316.1241.3/20	1	flywheel FOR SIMPLE CLUTCH
14	0.316.1250.3/10	1	flywheel FOR DUAL CLUTCH
14	0.316.1250.3/10	1	flywheel FOR OVER CENTRE CLUTCH
15	0.038.1242.0	1	crown wheel Z = 120, mm 15
16	2.1379.006.0	3	lock-tab 15x15x36,5
17	2.0122.517.7	6	screw m 14 p.1.5x45
17	2.0122.525.7	1	none
18	0.001.4544.0		shoulder ring + mm 0.05
18	0.001.4545.0		shoulder ring + mm 0.10
18	0.001.4546.0		shoulder ring + mm 0.15
18	0.042.1218.0	2	shoulder ring STANDARD
19	0.001.4547.0		shoulder ring + mm 0.05
19	0.001.4548.0		shoulder ring + mm 0.10
19	0.001.4549.0		shoulder ring + mm 0.15
19	0.042.1219.0	2	shoulder ring STANDARD
20	0.073.1215.0	8	main half bushing STANDARD
20	0.073.1215.7		main half bushing - mm 0.25
20	0.073.1215.8		main half bushing - mm 0.50
20	0.073.1215.9		main half bushing - mm 0.75
21	0.062.1225.0	6	con.rod half bushing STANDARD
21	0.062.1225.7		con.rod half bushing - mm 0.25
21	0.062.1225.8		con.rod half bushing - mm 0.50
21	0.062.1225.9		con.rod half bushing - mm 0.75
22	0.052.1220.3/10	3	engine connecting rod
23	0.039.1250.0	6	screw m 14 p.1.5x63

Section: ENGINE  
**CRANKSHAFT**

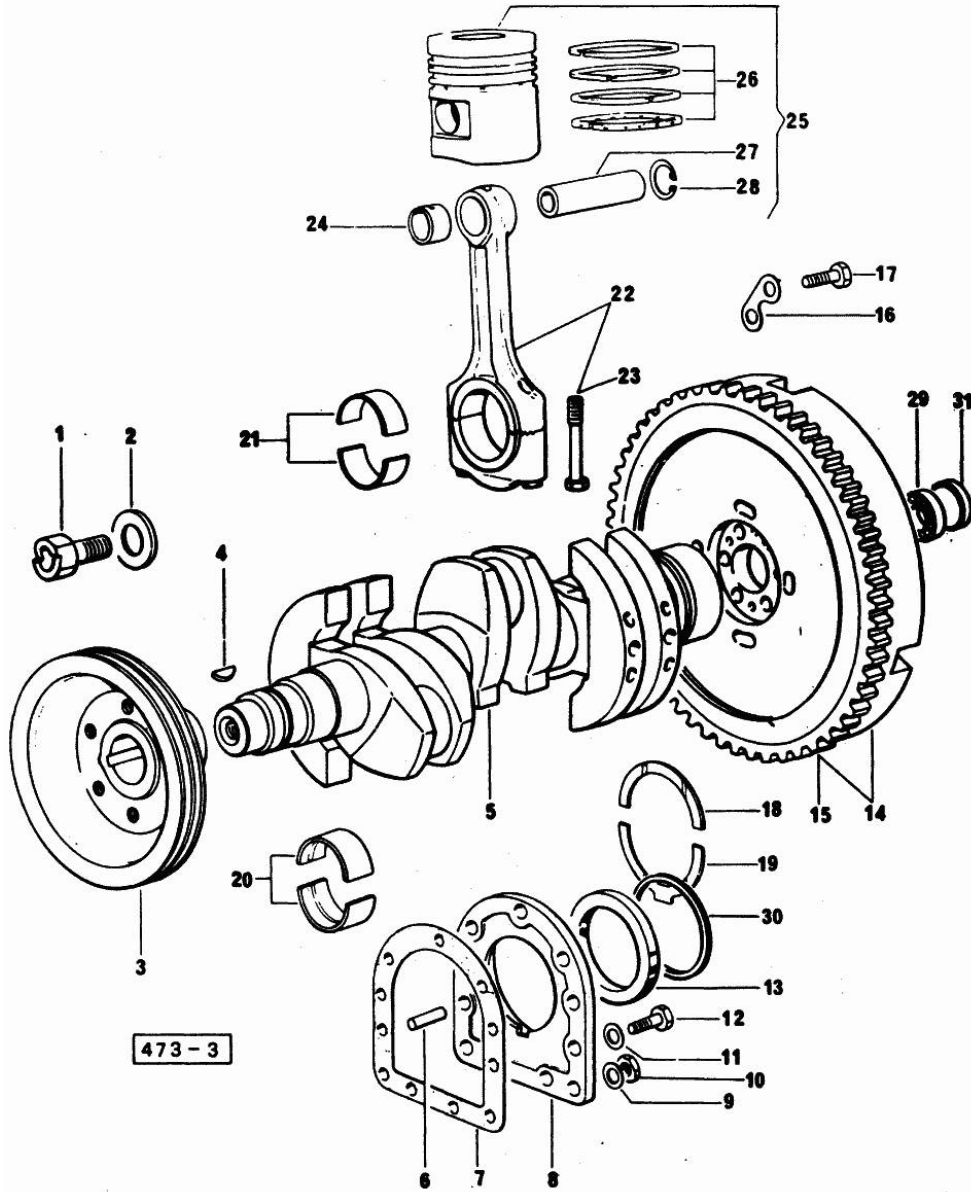


Fig.	P/n	QTY	Name
24	0.002.4168.0	3	bearing
25	0.072.0060.6/10	3	-
25	0.072.0061.6		complete piston + mm 0.50
25	0.072.0062.6		complete piston + mm 1.0
26	0.072.0052.6	3	piston ring set STANDARD
26	0.072.0053.6		piston ring set + mm 0.50
26	0.072.0054.6		piston ring set + mm 1.0
27	0.002.4167.0	3	piston pin
28	2.1411.014.1	6	circlip 35
29	2.2061.005.0	1	ball bearing iso 17 bc 03
30	2.1599.404.0	1	shoulder ring
31	2.1579.616.0	1	spacer

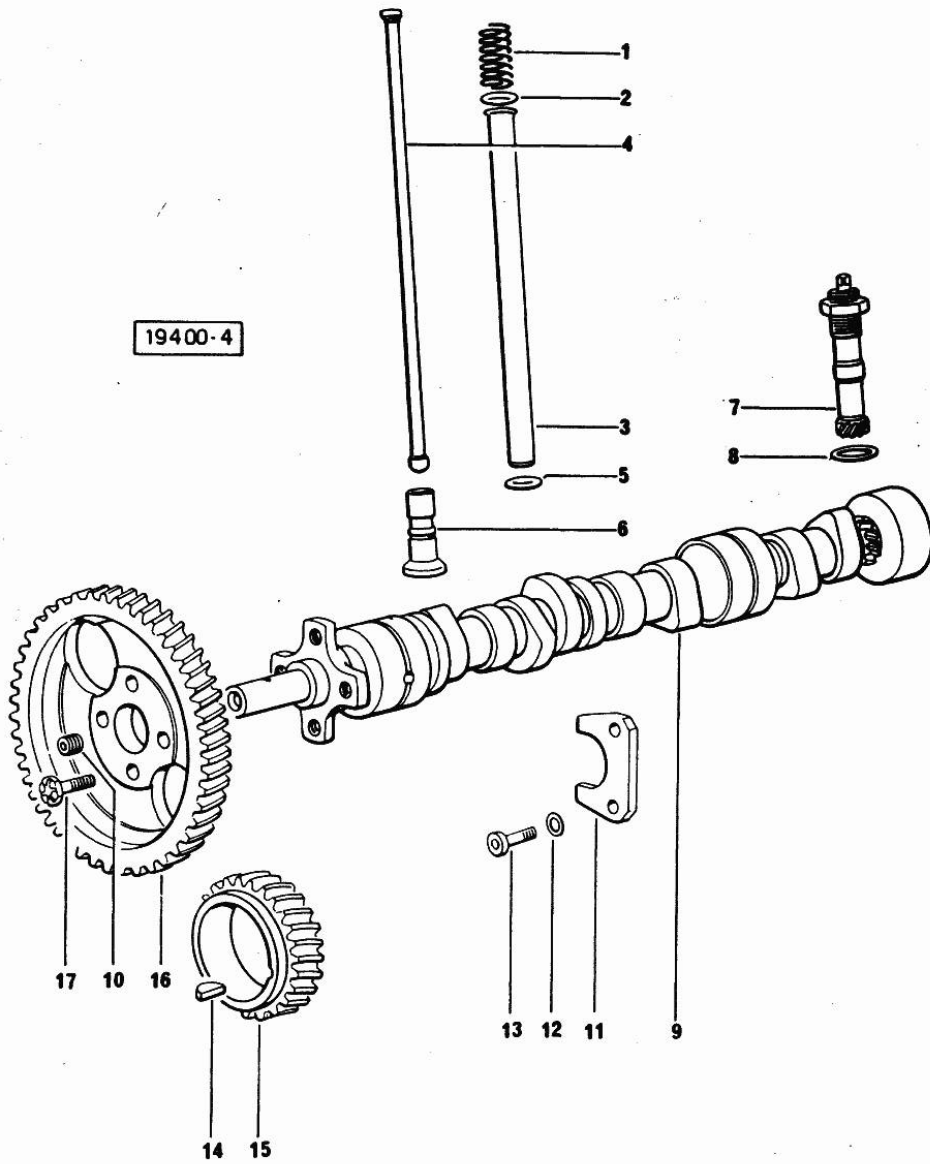
Section: ENGINE

**CAMSHAFT**

Fig.	P/n	QTY	Name
------	-----	-----	------

Notes:  
[SOLAR 55 C]

1	2.4019.162.1/20	6	spring 17.2x46x1.8
2	2.1539.022.0	6	special oil seal 12.37x2.62
3	0.041.1332.0	6	sleeve
4	0.041.1331.3	6	rod
5	2.1539.020.0	6	special oil seal 13.95x2.62
6	0.052.1330.0/20	6	tappets
7	0.041.1355.3	1	transmission
8	2.1560.013.0	1	gasket 18.2x22
9	0.054.1310.0/20	1	camshaft
10	2.3130.001.1	1	plug 1/8" gas
11	0.027.1314.0	1	flange
12	2.1470.004.2	2	lock washer 8
13	2.0112.207.2	2	screw m 8 p 1.25 x 20
14	2.1720.010.0	1	key 5x9
15	0.040.1320.0	1	gear z = 33
16	0.062.1321.0	1	gear z=66
17	2.0139.005.1	4	screw m 10 p.1 x 25



Section: ENGINE  
CYLINDER HEAD

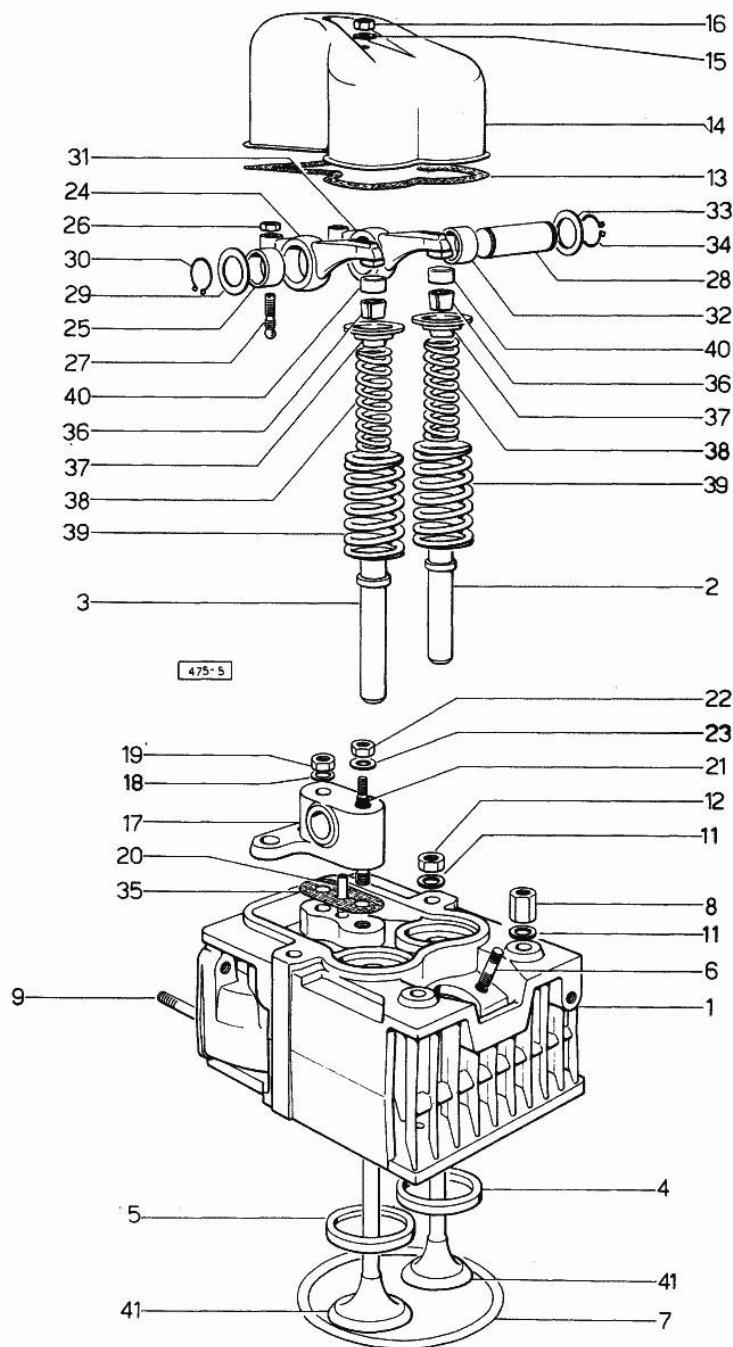


Fig.	P/n	QTY	Name
<b>Notes:</b> [SOLAR 55 C]			
0	0.073.0057.6	1	gasket set FOR GRINDING VALVES OF ONE CYLINDER AND PISTON RING RENEWAL
1	0.063.1410.3	3	engine head
2	0.062.1417.0/10	3	valve guide
3	0.062.1416.0/10	3	valve guide
4	0.062.1450.0/10	3	valve seat
5	0.063.1426.0	3	valve seat
6	2.0439.087.1/20	6	stud bolt m 8 p.1.25 / p.1 x 40
7	2.1569.077.0/10	3	gasket
8	2.1019.037.0	3	special nut m 12 p.1.5
9	2.0432.007.7	3	stud bolt m 8 p.1.25 / p.1 x 30
11	2.1599.406.0	12	shoulder ring
12	2.1019.025.0	9	special nut m 12 p.1.5
13	0.029.1450.0	3	gasket
14	0.039.1440.0	3	cap
15	2.1560.004.0	3	copper gasket 8.2 x 14
16	2.1099.056.2	3	special nut m 8 p.1 x 8
17	0.041.1430.0	3	support
18	2.1599.160.0	3	washer 10.5x19x4
19	2.1099.035.0	3	special nut m 10 p.1.25
20	0.029.1452.0	3	tube
21	0.039.1451.0	3	stud bolt
22	2.1011.421.2	3	nut m 10 p.1.25
23	2.1310.006.2	3	flat washer 10.5x21
24	002.5937.3/30	3	rocker arm
25	2.1559.021.0/40	3	bushing 15x19x22
26	2.1011.405.2	6	nut m 8 p.1
27	0.021.1434.0	6	screw
28	0.041.1431.0	3	pin
29	2.1599.019.0	3	shoulder ring 19.5x31x2
30	2.1410.055.1	3	circlip 19
31	0.002.5936.3/40	3	rocker arm
32	2.1559.021.0/40	3	bushing 15x19x22
33	2.1599.019.0	3	shoulder ring 19.5x31x2
34	2.1410.055.1	3	circlip 19
35	0.034.1450.0	3	tappet gasket
36	0.062.1423.0/10	6	conical valve cotter
37	0.062.1425.0	6	cup
38	2.4019.194.0	6	spring 22.70x50.7x2.1
39	2.4019.193.0	6	spring 36.15x55.2x3.2

Section: ENGINE  
**CYLINDER HEAD**

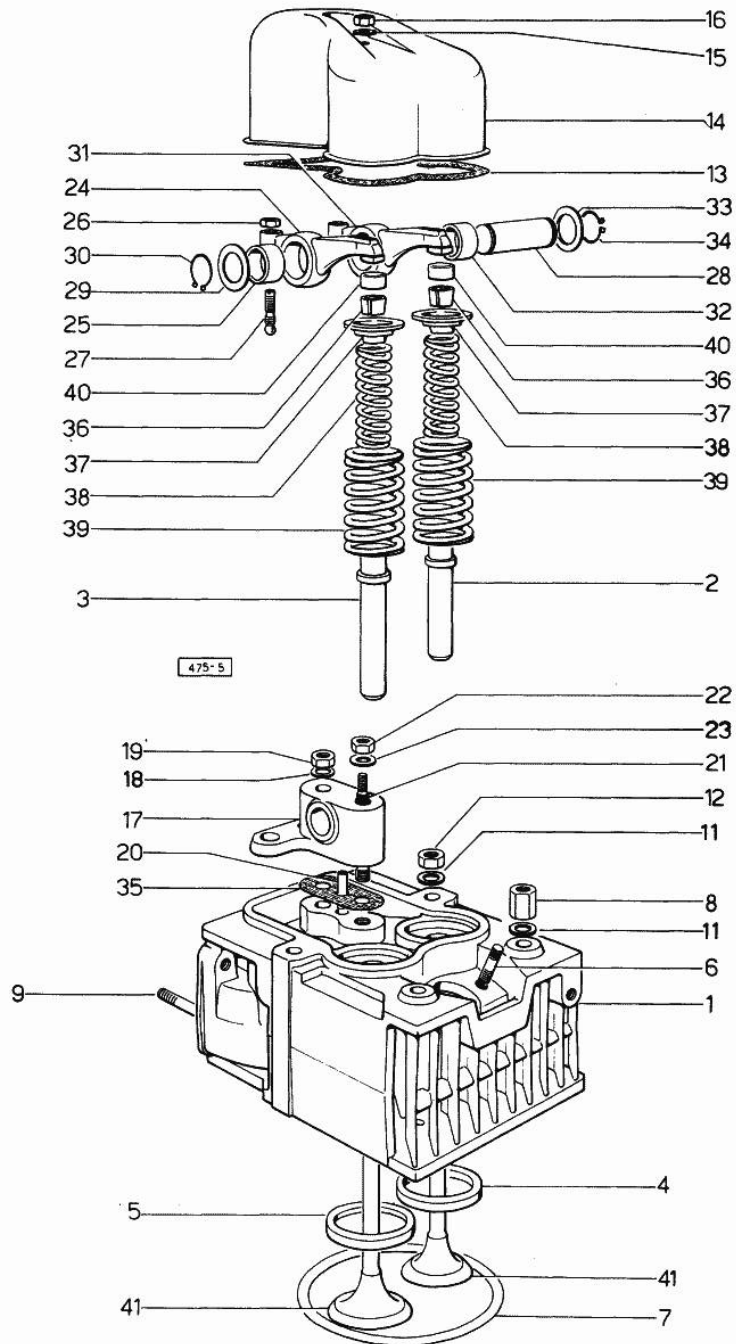


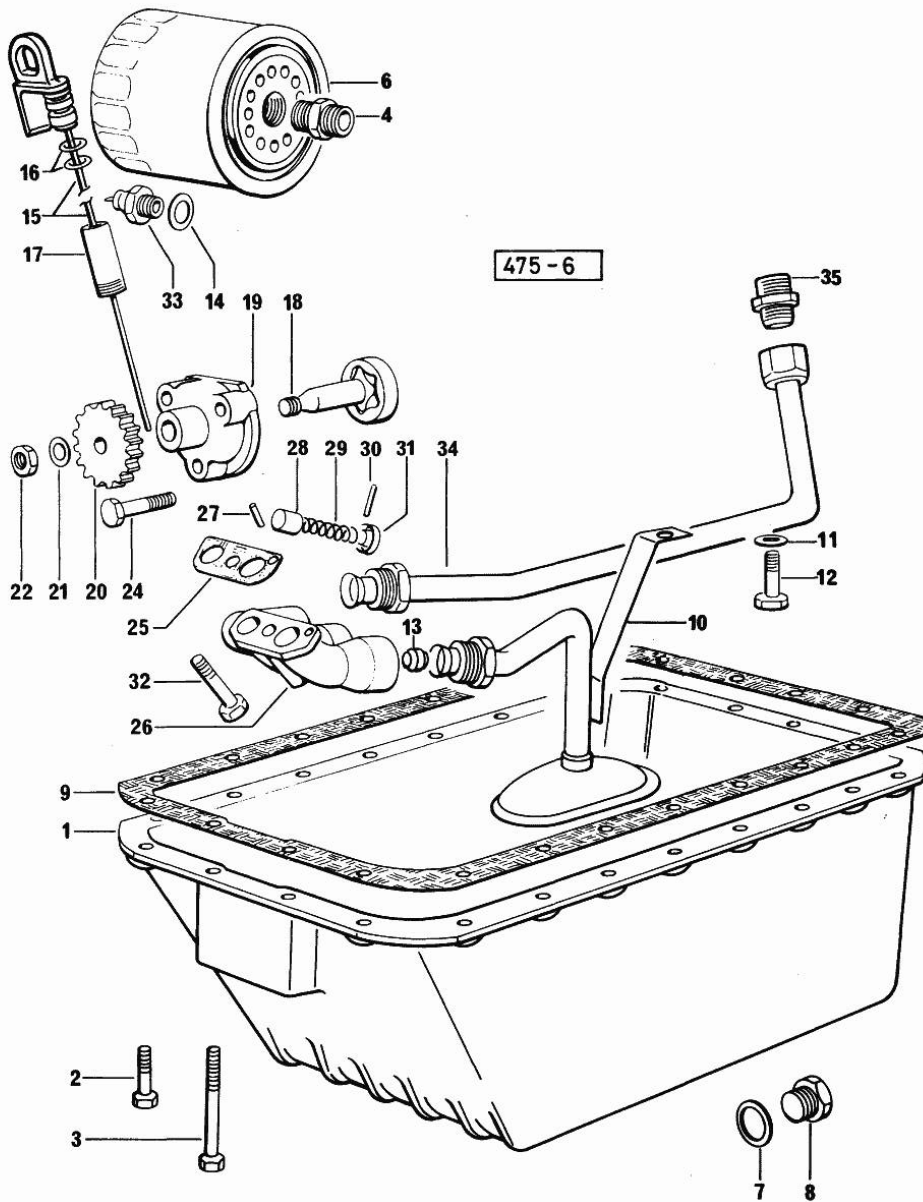
Fig.	P/n	QTY	Name
40	0.062.1452.0	6	small cover
41	0.071.1420.2	6	exhaust valve Ø mm 8

Section: ENGINE  
LUBRICATION

Fig.	P/n	QTY	Name
------	-----	-----	------

Notes:  
[SOLAR 55 C]

1	0.038.1556.0	1	oil sump
2	2.0112.209.2	22	screw m 8 p 1.25 x 25
3	2.0112.222.2	2	screw m 8 p.1.25x65
4	2.3339.094.1/10	1	pipe fitting m 20 p.1.5-3/4 gas
6	0.053.1552.0	1	oil filter element
7	2.1560.054.0	1	gasket 21 x 26
8	2.3199.001.2	1	plug 1/2" gas
9	0.038.1555.0	1	gasket
10	0.054.1563.3	1	tube
11	2.1310.004.2	1	flat washer 8.4x17
12	2.0112.204.2	1	screw m 8 p.1.25x14
13	2.3359.016.1	2	nosepiece
14	2.1560.008.0	1	gasket 12.2 x 18
15	0.068.1513.2	1	dipstick
16	2.1539.065.0	2	special oil seal 8.73 x 1.78
17	0.044.1555.0	1	spacer
18	0.054.1524.3/10	1	rotor
19	0.054.1520.0	1	pump casing
20	0.054.1521.0	1	gear
21	2.1310.006.2	1	flat washer 10.5x21
22	2.1121.107.2	1	self-locking nut m 10 p 1.25
24	2.0112.215.2	3	screw m 8 p.1.25 x 40
25	0.054.1550.0	1	gasket
26	0.054.1530.0/20	1	tip
27	2.1651.305.2	1	cylindrical plug 4 x 12
28	0.052.1571.0	1	small piston
29	2.4019.270.1	1	spring 9.7x54x2
30	2.1630.213.0	1	roll pin 3x32
31	0.054.1558.0/10	1	stop
32	2.0132.213.2	1	screw
33	2.7099.040.0/10	1	pressure switch
34	0.053.1543.2	1	tube
35	2.3339.159.1/10	1	pipe fitting





**Suggest:**

**For more complete manuals. Please go to the home page.**

**<https://www.ebooklibonline.com>**

**If the above button click is invalid. Please download this document first, and then click the above link to download the complete manual.**

**Thank you so much for reading**

Section: ENGINE

FUEL SUPPLY SYSTEM

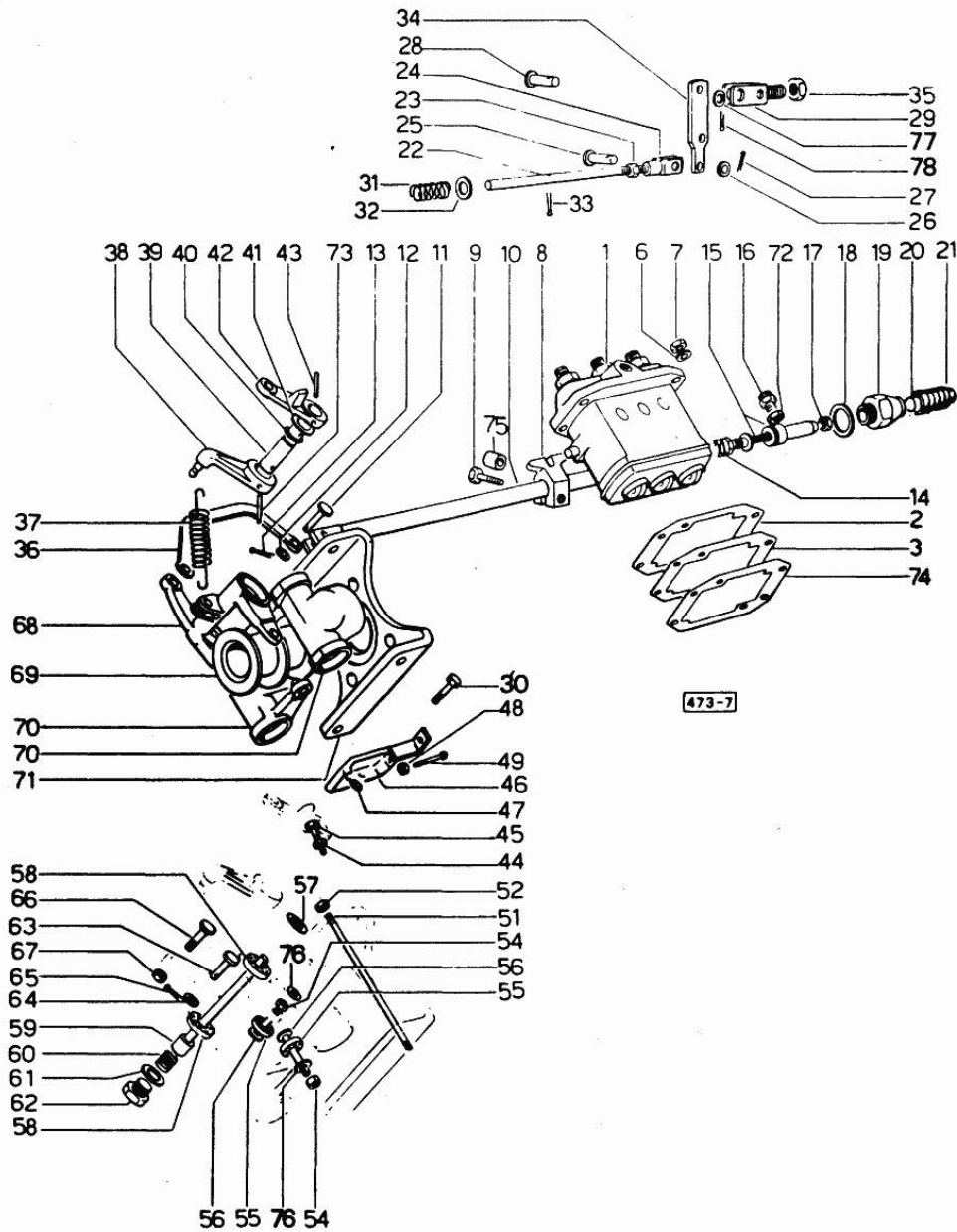


Fig.	P/n	QTY	Name
------	-----	-----	------

Notes:  
[SOLAR 55 C]

1	2.4639.140.0	1	injector pump
2	0.041.1658.0	1	shim mm 0.20
2	0.041.1659.0	1	shim mm 0.1
3	0.041.1694.0	1	gasket mm 0.1
3	0.041.1695.0	1	gasket mm 0.20
6	2.1311.006.2	4	flat washer 8
7	2.1099.056.2	4	special nut m 8 p.1 x 8
8	0.046.1652.0	1	bracket
9	2.0112.013.2	1	screw m 6 p.1 x 35
10	0.044.1613.2	1	rod
11	2.1679.065.2	1	pin 6x18x15
12	2.1311.004.1	1	flat washer 6
13	2.1690.206.0	1	split pin
14	2.4019.178.1/10	1	spring 14.6x34x0.8
15	0.062.1652.6	1	adapter
16	0.044.1669.3/20	1	adapter
17	2.1011.505.2	1	nut m 8 p.1
18	2.1560.019.0	1	copper gasket 24.3x30
19	0.041.1666.0/40	1	plug
20	2.1530.015.0	1	oil seal 8.30x2.40
21	0.000.5617.0	1	guard
22	0.054.1675.0/10	1	ferrule
23	2.1011.103.2	1	nut m 6 p.1
24	0.054.1653.0/10	1	fork
25	2.1670.002.2	1	pin 5x14x12
26	2.1310.001.2	1	flat washer 5.3 x 10
27	2.1690.104.2	1	split pin 1.6x10
28	2.1670.303.2	1	pin 8x18x15
29	0.054.1676.0	1	support
30	2.0112.004.2	2	screw m 6 p.1 x 14
31	2.4019.232.1	1	spring
32	2.1310.004.2	1	flat washer 8.4x17
33	2.1690.206.2	1	split pin A2x15
34	0.054.1681.0/20	1	lever
35	2.1011.505.2	1	nut m 8 p.1
36	0.074.1622.0	1	rod
37	2.4049.095.1/10	1	spring
38	0.042.1621.0	1	lever
39	0.041.1655.0/10	1	pin
40	2.1530.016.0	1	oil seal 8.73 x 1.78
41	2.1599.141.0	1	shoulder ring 12.5x19x1.5

SOLAR 55 C

Ref: 01.00.6

Section: ENGINE  
**FUEL SUPPLY SYSTEM**

Fig.	P/n	QTY	Name
42	0.041.1621.0	1	lever
43	2.1630.410.0	1	roll pin 4 x 20
44	2.1011.103.2	1	nut m 6 p.1
45	2.0112.009.2	1	screw m 6 p.1 x 25
46	0.052.1661.2/20	1	small cover
47	2.1310.002.2	2	flat washer 6.4x12.5
48	2.1011.102.2	1	nut m 5 p.0.7
49	2.0220.317.1	1	screw
51	0.062.1617.0/10	2	pin
52	2.1120.305.2	2	self-locking nut m 8 p.1 x 8
54	2.1019.007.1	4	special nut m 6 p.1
55	0.062.1653.0	4	roller
56	0.054.1654.0/10	4	pin
57	2.1599.248.1	1	shim 7x11x1
58	2.2999.158.0	2	special bearing
59	0.041.1620.0	1	pin
60	2.4019.283.1	1	spring
61	2.1560.008.0	1	gasket 12.2 x 18
62	2.3110.002.1	1	plug 1/4" gas
63	2.1670.005.2	1	pin 5x22x20
64	2.1310.001.2	1	flat washer 5.3 x 10
65	2.1690.104.0	1	split pin a.1 5x10
66	0.074.1655.0	1	pin
67	2.1011.103.2	1	nut m 6 p.1
68	0.062.1619.0	1	lever
69	0.071.1618.0	1	sleeve
70	0.062.1616.0	2	adjust.rocker
71	0.062.1615.0	1	bracket
72	2.1099.066.1	1	special nut
73	2.1630.511.0	1	roll pin 5x24
74	0.044.1672.0	1	shim mm 0.50
75	2.1579.455.1	1	spacer 6.2x12x14
76	2.1480.012.1	4	washer 6, d128
77	2.1310.004.2	1	flat washer 8.4x17
78	2.1690.206.2	1	split pin A2x15

2/2

**<https://www.ebooklibonline.com>**

Hello dear friend!

Thank you very much for reading.

Enter the link into your browser.

The full manual is available for immediate download.

**<https://www.ebooklibonline.com>**