

Section: ENGINE  
CRANKCASE

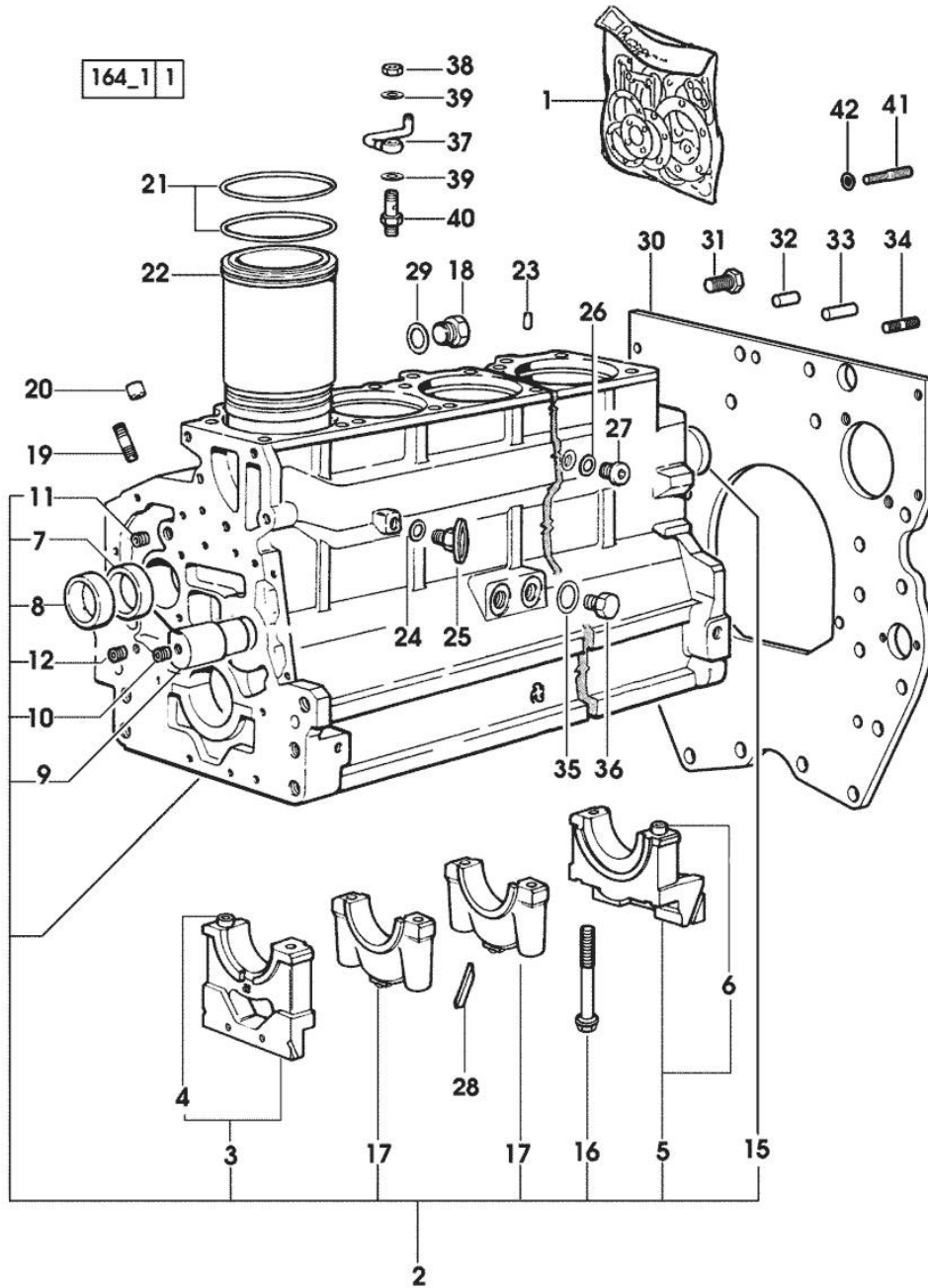


Fig.	P/n	QTY	Name
<b>Notes:</b> [SILVER 130]			
1	0.337.0050.6		gasket set - FOR ENGINE MOUNTING
2	0.007.1102.6/20	1	crankcase * (...) <- - N.24 - 012.2673.0
3	0.065.1112.7	1	support
4	2.1699.165.0	1	bush 12.3x15x16
5	0.007.0848.3/10	1	support
6	2.1699.165.0	1	bush 12.3x15x16
7	0.065.1141.0	1	special bushing 59X55X30
8	0.065.1140.0	6	special bushing 59X55X20
9	0.066.1151.0	1	pin
10	2.3130.001.1	14	plug 1/8" gas
11	2.3130.002.1	2	plug 1/4" gas
12	2.3130.003.1	8	plug 3/8" gas
15	2.3179.012.0	1	plug 60
16	0.065.1117.0	14	screw m 12 x 100
17	0.065.1114.0/10	5	support
18	2.3199.405.2	1	plug m 28 p.1.5
19	2.0432.003.7	18	stud bolt m 8 p.1.25 / p.1 x 20
20	2.1559.188.2	6	bush 11.4 x 14 x 16
21	2.1539.193.0	12	special oil seal 107.62x2.62
22	0.011.0183.0/20	6	engine cylinder 6942 <= X SILVER 110 6939 <= X SILVER 130
22	0.A12.2675.0	6	engine cylinder "A" => 6943 X SILVER 110 => 6940 X SILVER 130
22	0.B12.2675.0	6	engine cylinder "B" => 6943 X SILVER 110 => 6940 X SILVER 130
23	2.1549.154.2	6	bush 4.8x5.8x16
24	2.1560.010.0	1	gasket 14.2 x 20
25	0.049.1152.0	1	cock
26	2.1560.014.0	1	washer 18.2 x 24
27	2.3120.101.0	1	plug m 18 p.1.5
28	0.066.1152.0/10	4	gasket
29	2.1539.047.0	1	special oil seal 26.7x1.78
30	0.007.0805.0/40	1	flange
31	2.0112.511.2	8	screw m 14 p.2 x 30
32	2.1651.912.0	2	cylindrical plug 12x28

Section: ENGINE  
**CRANKCASE**

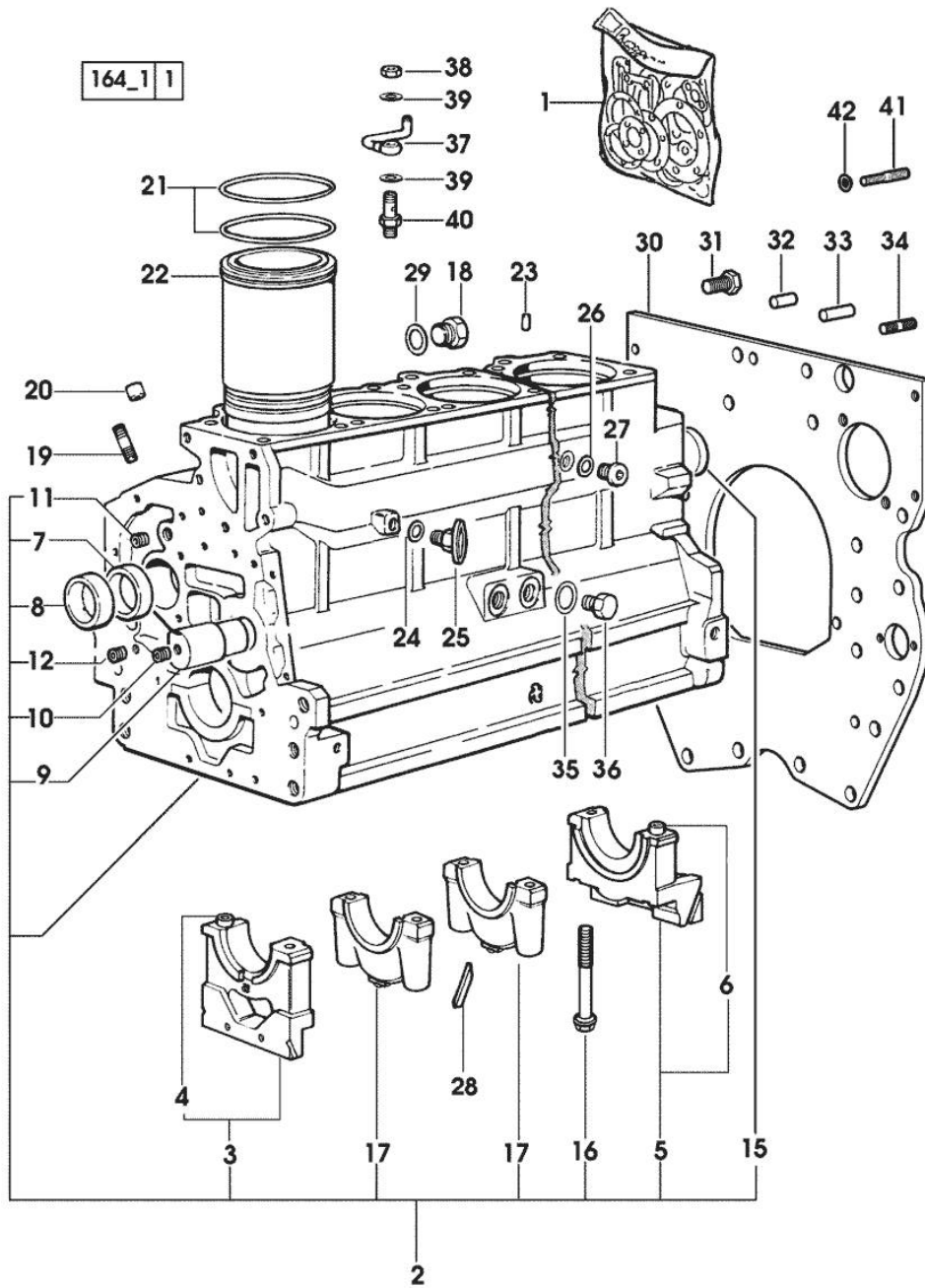


Fig.	P/n	QTY	Name
33	2.1651.917.0	1	cylindrical plug 12x40
34	2.0432.257.7	1	stud bolt m 12 p.1.75 - 1.25 x 30
35	2.1560.017.0	1	gasket 22.2 x 27
36	2.3120.002.4	1	plug m 22 x 1.5
37	0.086.1550.2	6	sprayer nozzle
38	2.1099.108.2	6	special nut m 10 p.1
39	2.1560.006.0	12	gasket 10.2 x 16
40	0.065.1160.3/20	6	valve
41	2.0439.250.7	1	stud bolt m 12 / m 10 x 30
42	0.011.9294.0/10	1	bush

Section: ENGINE

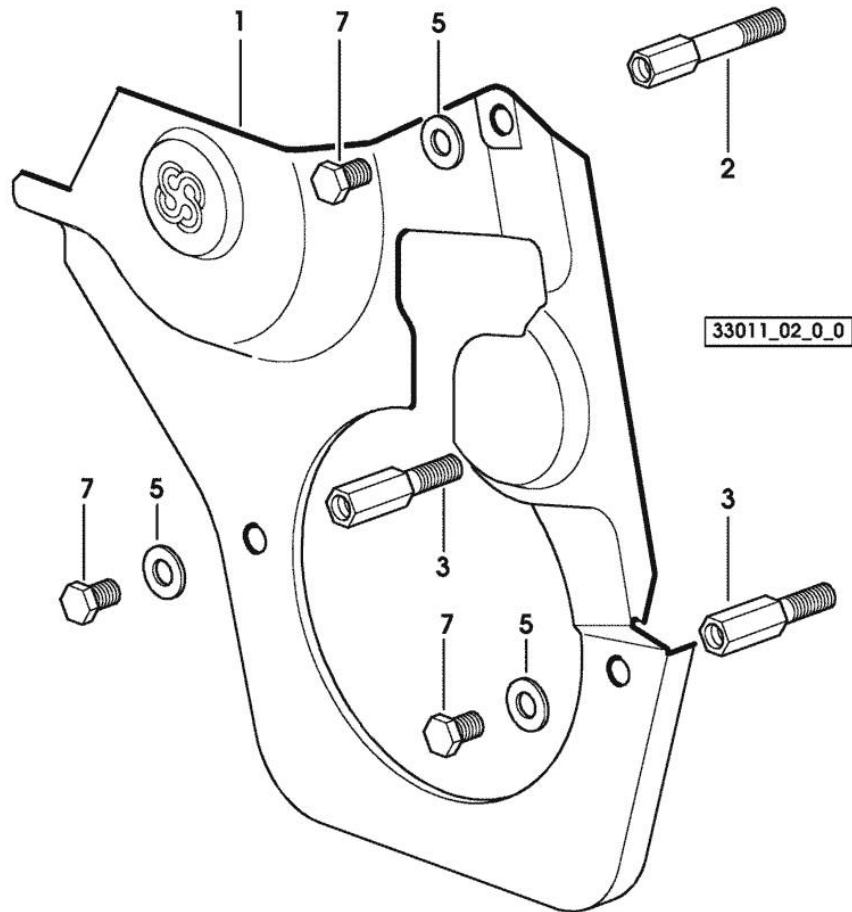
**GUARD PLATE**

Fig.	P/n	QTY	Name
------	-----	-----	------

**Notes:**

[SILVER 130]

1	0.007.1262.3/50	1	guard
2	0.007.1271.0/10	1	small column m 8 p.1.25 / L = mm 60
3	0.007.1272.0/10	2	small column m 8 p.1.25 / L = mm 50
5	2.1310.004.2	3	flat washer 8.4x17
7	2.0112.205.2	3	screw m 8 p.1.25 x 16



**<https://www.ebooklibonline.com>**

Hello dear friend!

Thank you very much for reading.

Enter the link into your browser.

The full manual is available for immediate download.

**<https://www.ebooklibonline.com>**

Section: ENGINE

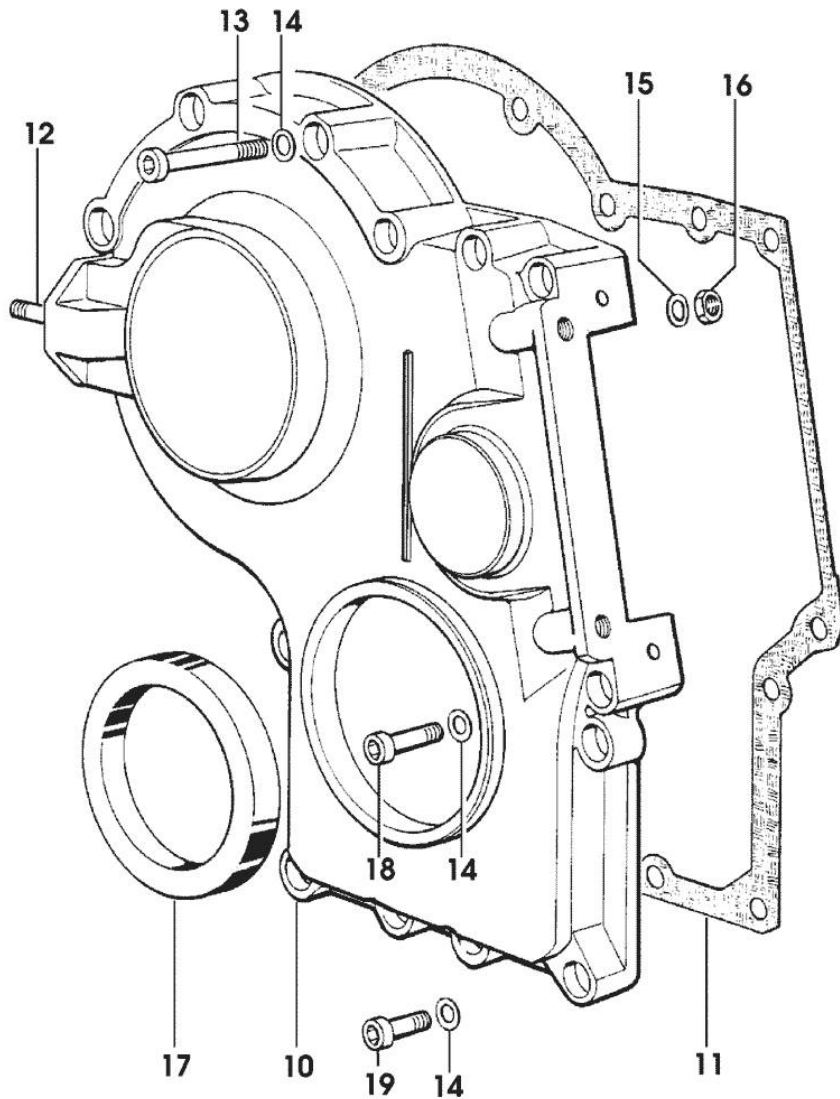
**TIMING CASE**

Fig.	P/n	QTY	Name
------	-----	-----	------

**Notes:**

[SILVER 130]

10	0.065.1132.0/60	1	guard
11	0.065.1150.0/30	1	gasket
12	2.0432.003.7	2	stud bolt m 8 p.1.25 / p.1 x 20
13	2.0312.219.2	4	screw m 8 p.1.25x65
14	2.1480.014.1	15	washer 8
15	2.1470.004.2	4	lock washer 8
16	2.1011.405.2	2	nut m 8 p.1
17	2.1529.141.0	1	special oil seal
18	2.0312.214.2	3	screw m 8 p.1.25 x 40
19	2.0312.208.2	8	screw m 8 p.1.25 x 25



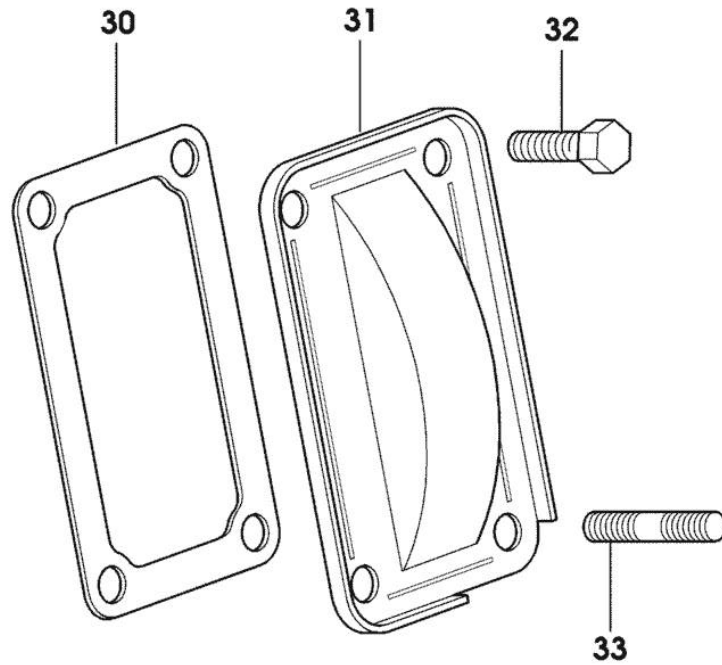
9\_33611\_01\_0\_0

Section: ENGINE  
CASING COVER

Fig.	P/n	QTY	Name
------	-----	-----	------

Notes:  
[SILVER 130]

30	0.065.1152.0	1	gasket
31	0.065.1151.0	1	cover
32	2.0112.205.2	2	screw m 8 p.1.25 x 16
33	2.0432.005.7	2	stud bolt m 8 p.1.5 / p.1 x 25



9\_33011\_04\_0\_0

Section: ENGINE

**CRANKSHAFT**

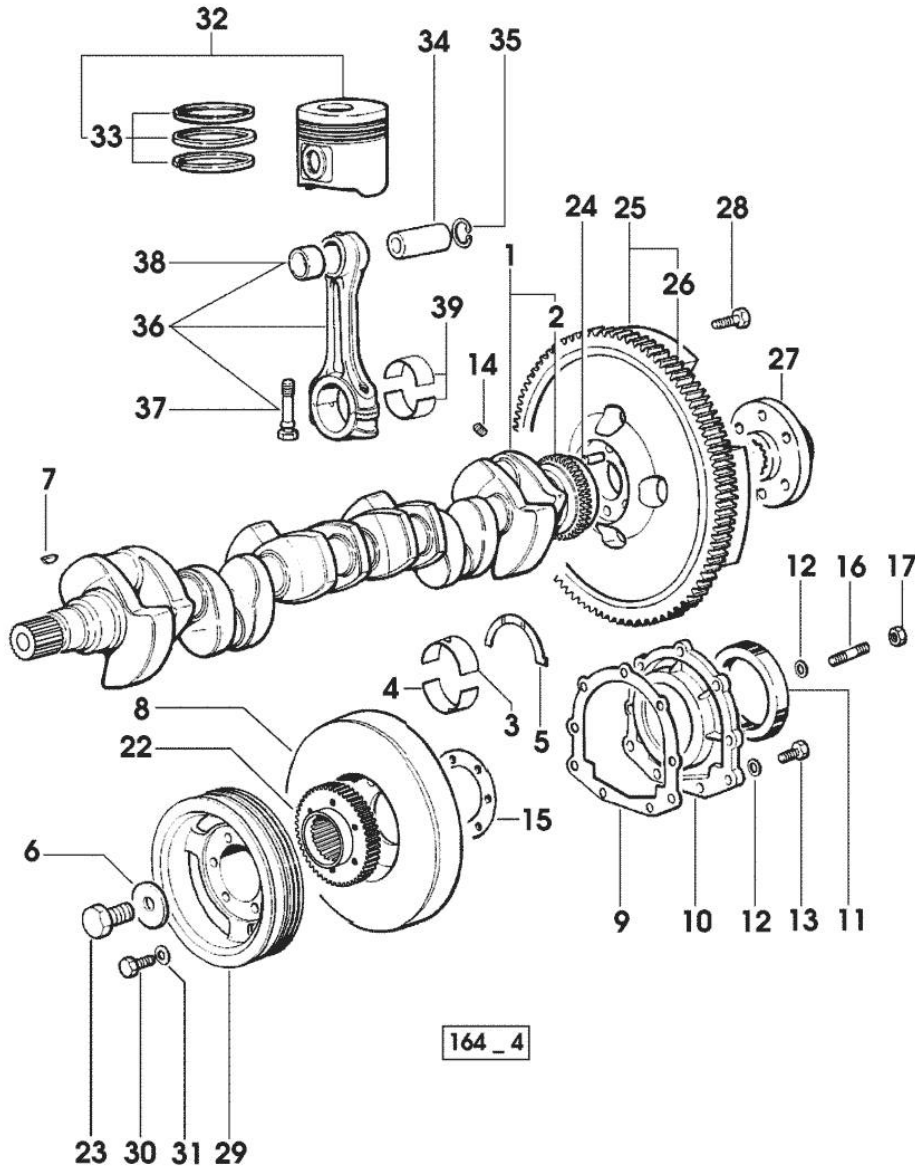


Fig.	P/n	QTY	Name
------	-----	-----	------

Notes:  
[SILVER 130]

1	0.010.4320.3/20	1	crankshaft
2	0.007.0855.0	1	gear
3	0.065.1215.0	7	main half bushing STANDARD
3	0.065.1215.7		main half bushing - mm 0.25
3	0.065.1215.8		main half bushing - mm 0.50
4	0.065.1216.0	7	main half bushing
4	0.065.1216.7		main half bushing - mm 0.25
4	0.065.1216.8		main half bushing - mm 0.50
5	0.065.1218.0	4	shim STANDARD
5	0.065.1218.7		shim + mm 0.10
5	0.065.1218.8		shim + mm 0.15
6	2.1599.524.7	1	washer 21x60x12
7	2.1720.006.0	1	key 4x6.5
8	0.007.1010.3	1	antivibration pulley
9	0.065.1254.0/20	1	gasket
10	0.007.0851.0/10	1	cover
11	2.1529.073.0	1	special oil seal 110x130x13
12	2.1475.002.2	9	conical washer 8
13	2.0112.207.2	7	screw m 8 p 1.25 x 20
14	2.3130.001.1	6	plug 1/8" gas
15	2.1589.137.0	2	shoulder ring 71x110x1
16	2.0432.003.7	2	stud bolt m 8 p.1.25 / p.1 x 20
17	2.1011.105.2	2	nut m 8 p.1.25
22	0.011.2206.0/10	1	hub
23	2.0399.144.7/10	1	screw m 20 p.1.5x51
24	2.1651.915.0	1	pin 12x35
25	0.007.1702.3/30	1	flywheel
26	0.065.1242.0	1	crown wheel Z = 123
27	0.288.3625.0	1	flange
28	2.0139.022.2	6	screw m 12 p.1.25x55
29	0.007.0962.0/20	1	pulley
30	2.0112.322.2	6	screw m 10 p.1.5x65
31	2.1470.006.2	6	lock washer 10
32	0.087.0060.6/30	6	complete piston
32	0.087.0060.A	6	complete piston STANDARD
32	0.087.0060.B	6	complete piston => 6940 X SILVER 130
32	0.379.0060.6	6	complete piston => 6940 X SILVER 130 6942 <= X SILVER 110

Section: ENGINE

**CRANKSHAFT**

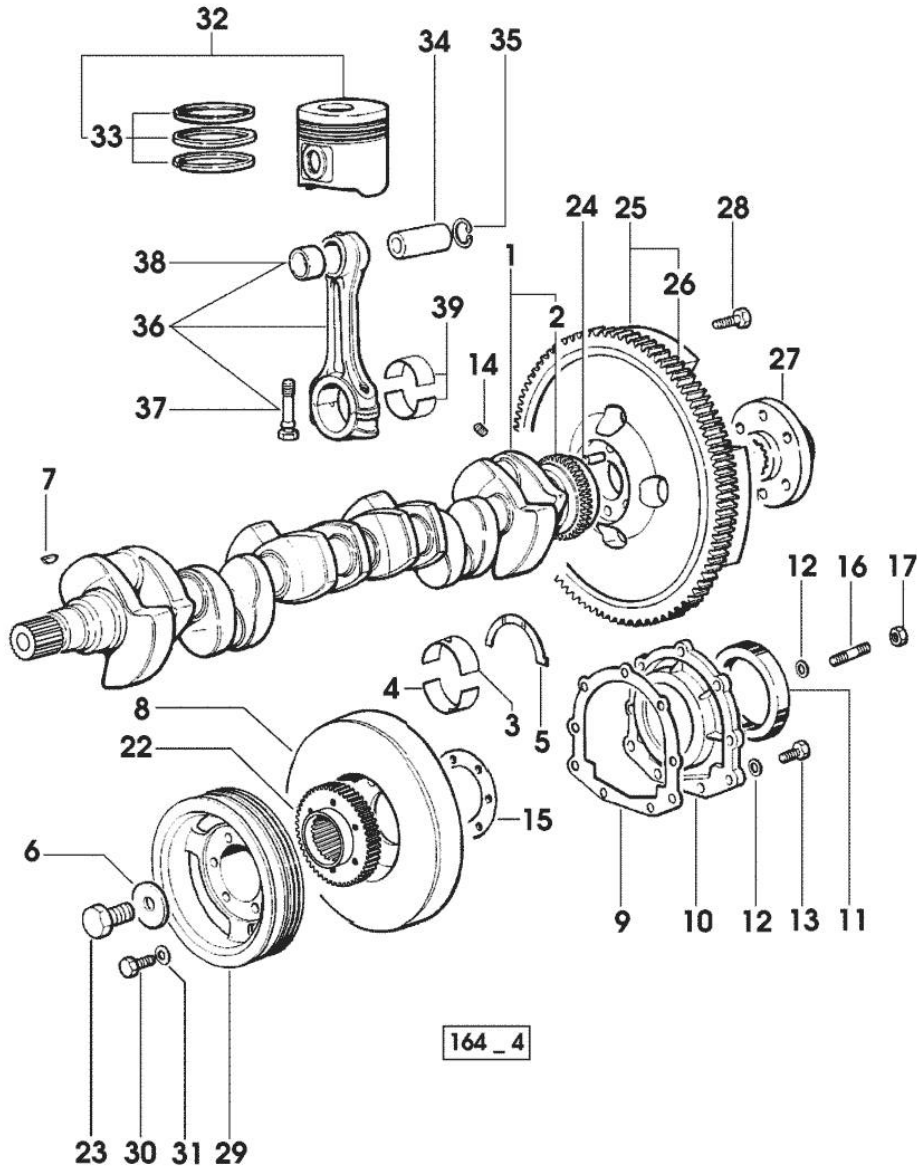


Fig.	P/n	QTY	Name
32	0.379.0060.A	6	complete piston "A" => 6943 X SILVER 110
32	0.379.0060.B	6	complete piston "B" => 6943 X SILVER 110
32	0.382.0060.6	6	complete piston 6939 <= X SILVER 130 - EXPORT U.S.A.
33	0.081.0090.6/10	6	piston ring set - X 110HP
33	0.086.0052.6/10	6	piston ring set - X 130HP
34	0.078.1236.0	6	piston pin Ø 18 / Ø 35 / L = mm 86
35	2.1411.014.1	12	circlip 35
36	0.078.1220.3/30	6	engine connecting rod
37	2.0399.213.0	2	screw m 12 p.1.25x61.5
38	2.1559.114.0/10	1	special bushing
39	0.065.1225.0	12	con.rod half bushing STANDARD - A = 28.75 -> 29.00
39	0.065.1225.7		con.rod half bushing - mm 0.25
39	0.065.1225.8		con.rod half bushing - mm 0.50

Section: ENGINE

**CAMSHAFT**

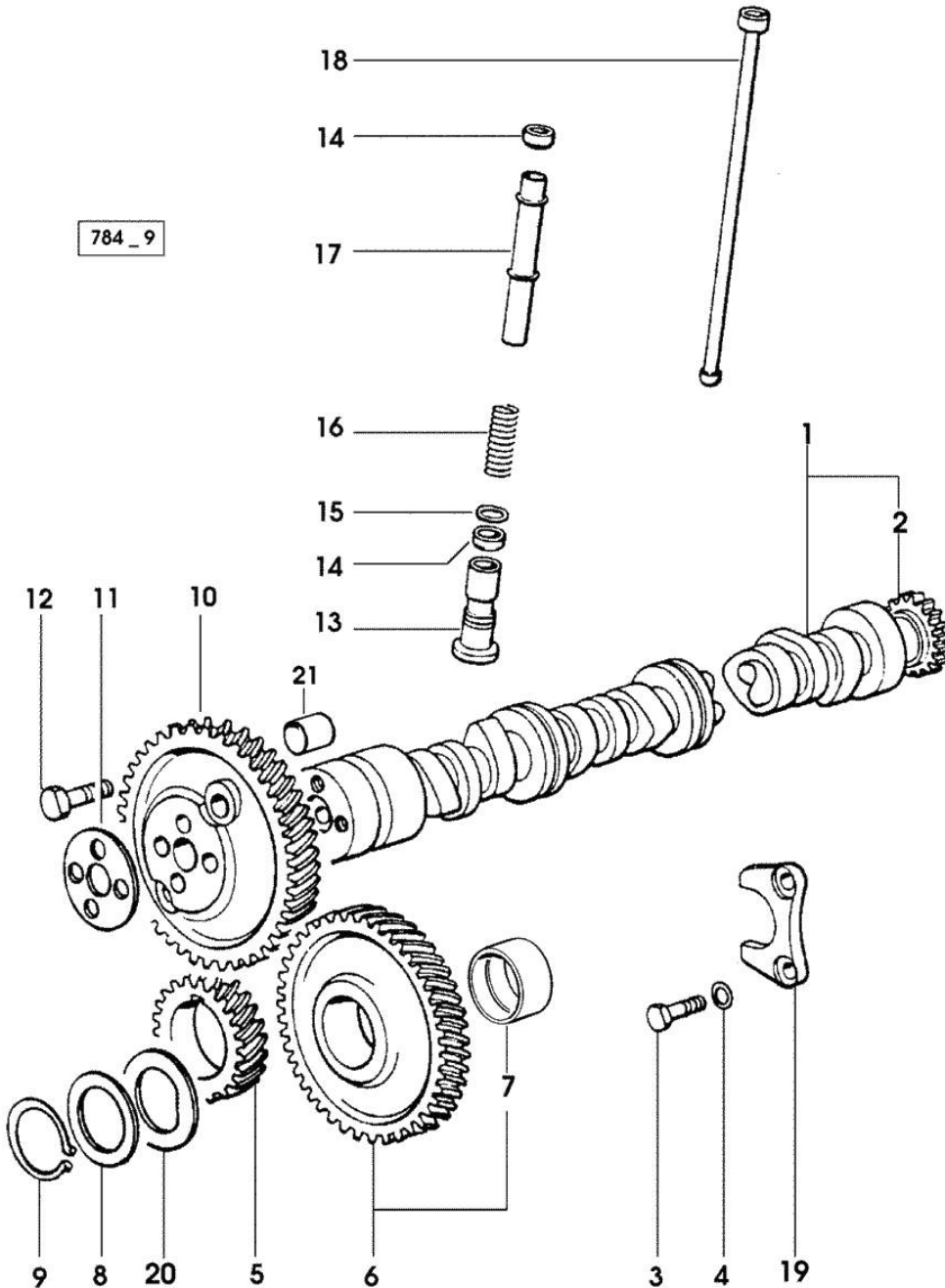


Fig.	P/n	QTY	Name
------	-----	-----	------

Notes:  
[SILVER 130]

1	0.010.4968.3/10	1	camshaft - X 130HP EXPORT U.S.A.
1	0.075.1310.3/30	1	camshaft - X 130HP
2	0.065.1324.0/10	1	gear Z = 32
3	2.0312.205.2	2	screw
4	2.1480.014.1	2	washer 8
5	0.007.1188.0/20	1	gear Z = 29
6	0.007.1177.3/10	1	gear z = 57 - WITH RED IDENTIFICATION STAMP
6	0.007.1178.3/10	1	gear z = 57 - WITH YELLOW IDENTIFICATION STAMP
6	0.007.1179.3/10	1	gear z = 57 - WITH GREEN IDENTIFICATION STAMP
7	2.1559.185.0/10	1	bushing
8	0.065.1352.0	1	shim
9	2.1410.016.1	1	circlip 40
10	0.065.1354.0/20	1	gear z=58
11	0.065.1350.0	1	small disc
12	2.0132.207.2	4	screw m 10 p.1 x 25
13	0.065.1330.0	12	tappets
14	2.1569.114.0/10	24	gasket 14x18.5x8
15	2.1599.437.0	12	shoulder ring
16	2.4019.300.1/10	12	spring 18.5x52x2
17	0.065.1332.0	12	sleeve
18	0.065.1331.2	12	rod
19	0.065.1353.0	1	small plate
20	0.065.1351.0	2	shoulder ring
21	2.1559.398.0	1	bushing 10.5x13x12

Section: ENGINE  
CYLINDER HEAD

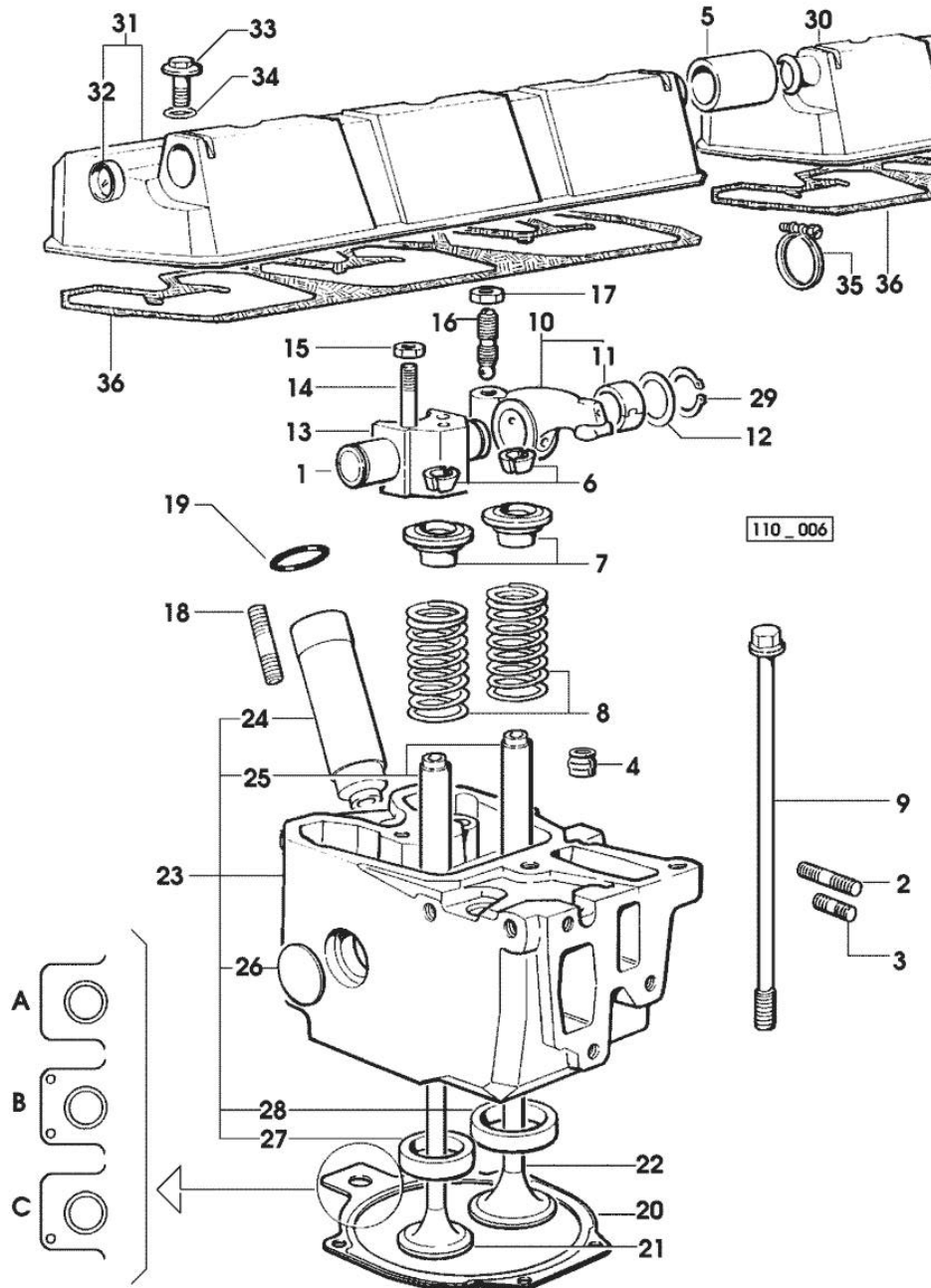


Fig.	P/n	QTY	Name
------	-----	-----	------

Notes:  
[SILVER 130]

1	0.066.1431.0	6	pin
2	2.0432.011.7	6	stud bolt m 8 p.1.25 / p.1 x 40
3	2.0432.005.7	6	stud bolt m 8 p.1.5 / p.1 x 25
4	2.1519.117.0	12	special oil seal
5	0.075.1452.0/10	1	sleeve
6	0.074.1423.0	24	conical valve cotter
7	0.066.1425.0	12	cup
8	2.4019.287.0	12	spring
9	0.012.2673.0	24	screw m 14 p.2x141
9	0.066.1443.0/10	24	screw -> (...) (...) <-
10	0.066.1432.3	12	rocker arm
11	2.1559.021.0/40	6	bushing 15x19x22
12	2.1599.432.0	2	shoulder ring
13	0.066.1430.0/10	6	support
14	2.0432.163.7	6	stud bolt m 10 p.1.5 / p.1.25 x 45
15	2.1011.421.2	12	nut m 10 p.1.25
16	0.021.1434.0	12	screw
17	2.1011.405.2	2	nut m 8 p.1
18	2.0432.161.7	6	stud bolt m 10 p.1.5 / p.1.25 x 40
19	2.1530.051.0	6	oil seal 20.22x3.53
20	0.078.1451.0/40	4	head gasket -A-
20	0.078.1452.0/30	6	head gasket -B-
20	0.078.1453.0/40	1	head gasket -C-
21	0.010.6022.0	6	exhaust valve mm 39.1 / Ø mm 9 - X 130HP - X 110HP
21	0.066.1421.0	6	exhaust valve - X 110HP
22	0.010.6016.0	6	inlet valve mm 43.63 / Ø mm 9 - X 110HP
22	0.010.6017.0	6	inlet valve mm 43.63 / Ø mm 9 - X 130HP
23	0.007.1360.3/60	6	head - X 130HP
23	0.012.2693.3/10	6	engine head - X 110HP
24	0.010.6041.0	1	bush
25	0.007.1779.0/10	2	valve guide
26	2.3170.012.1	2	expansion plug 30
27	0.078.1426.0	1	valve seat

**CYLINDER HEAD**

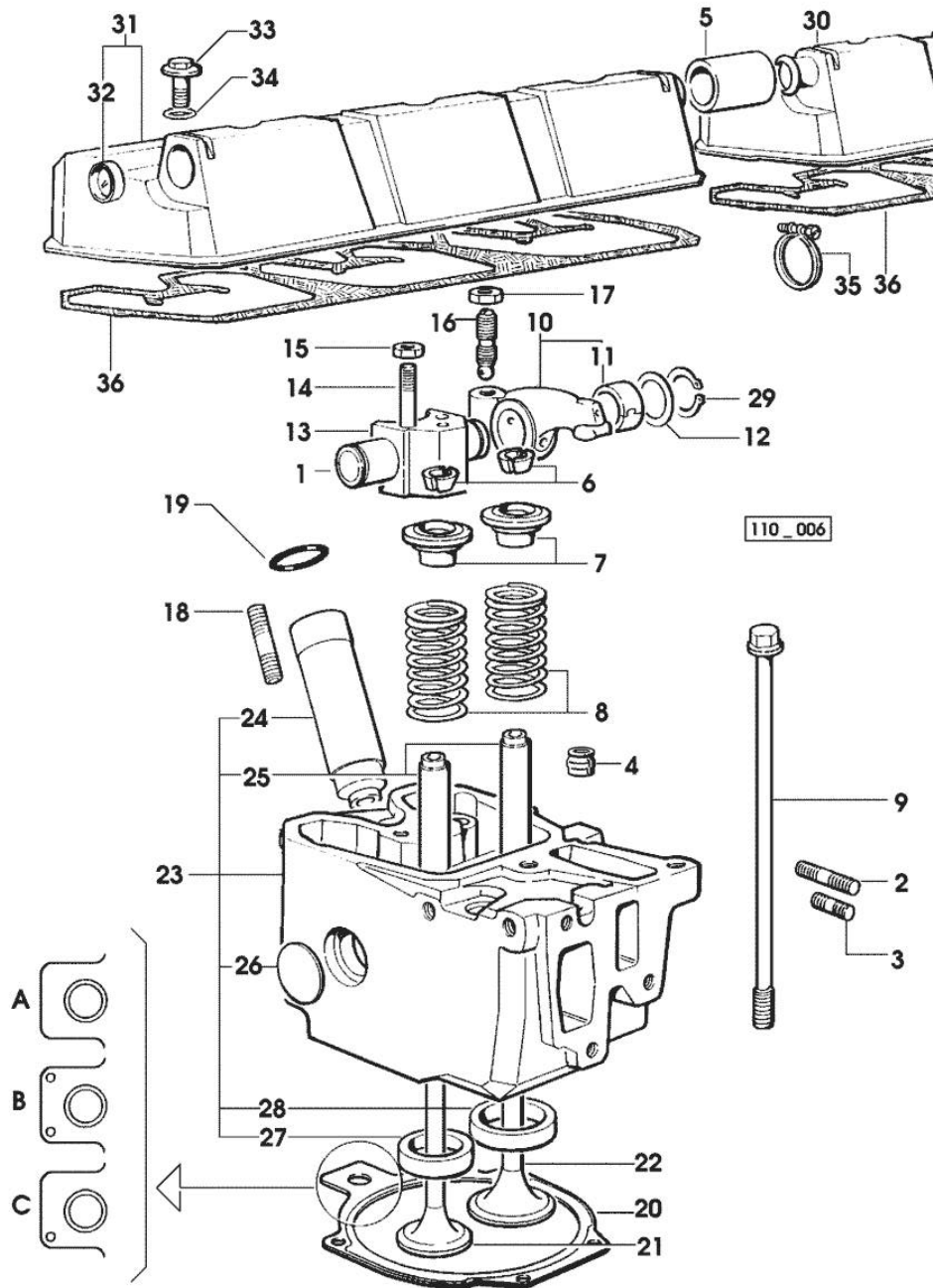


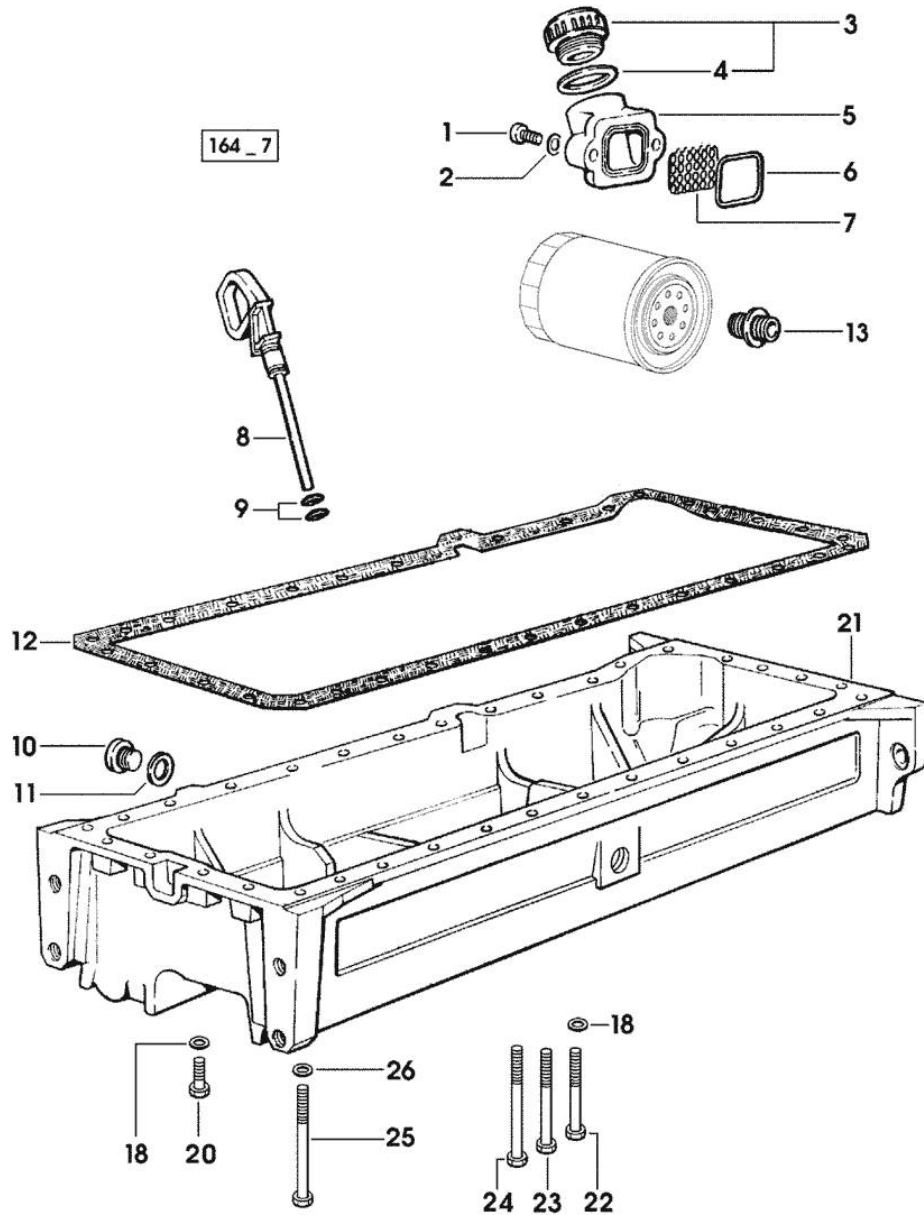
Fig.	P/n	QTY	Name
28	0.066.1427.0	1	valve seat
29	2.1410.055.7	2	circlip 19
30	0.078.1450.3	1	cover
31	0.078.1440.3	1	cover
32	2.3171.008.4	1	plug 20
33	2.0399.130.2/10	6	screw m 8x36x44
34	2.1532.035.0	6	oil seal 14x1.78
35	2.6859.052.2	2	clamp
36	0.009.3877.0/10	2	tappet gasket

Section: ENGINE  
LUBRICATION

Fig.	P/n	QTY	Name
------	-----	-----	------

Notes:  
[SILVER 130]

1	2.0312.205.2	2	screw
2	2.1480.014.1	2	washer 8
3	0.041.1135.4	1	plug 1" gas
4	2.1569.072.0	1	gasket 32 x 39.5 x 2
5	0.065.1565.0/10	1	pipe union
6	2.1539.042.0	1	special oil seal 47.35x1.78
7	0.065.1567.0/10	1	filter
8	0.080.1513.2/10	1	dipstick
9	2.1539.065.0	2	special oil seal 8.73 x 1.78
10	2.3199.001.2	2	plug 1/2" gas
11	2.1560.054.0	2	gasket 21 x 26
12	0.007.0849.0/10	1	gasket
13	2.3339.307.0	2	pipe fitting m 22 p.1.5-3/4"
18	2.1470.004.2	34	lock washer 8
20	2.0112.215.2	25	screw m 8 p.1.25 x 40
21	0.007.1311.0/10	1	oil sump
22	2.0112.229.2	3	screw m 8 p.1.25 x 100
23	2.0112.235.2	2	screw m 8 p.1.25 x 130
24	2.0112.241.2	4	screw m 8 p.1.25 x 160
25	2.0112.243.2	2	screw m 8 p.1.25x170
26	2.1579.854.2	2	spacer 8.5x20x5



Section: ENGINE

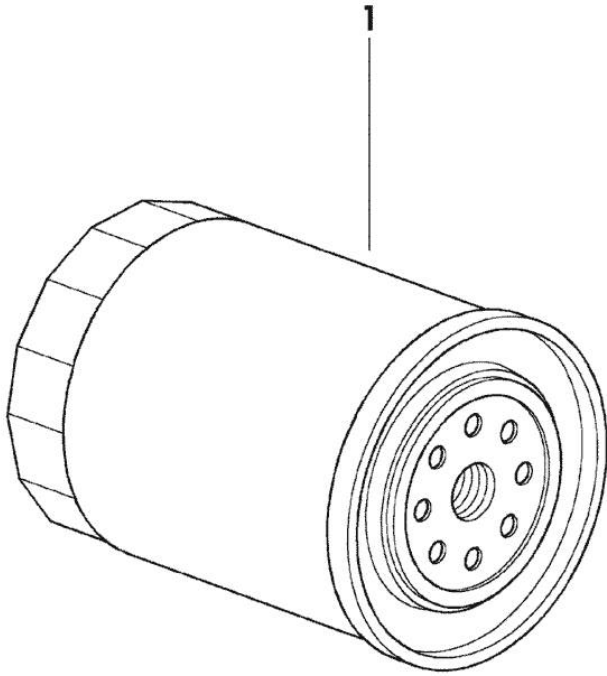
**LUBRIC. OIL FILTER**

Fig.	P/n	QTY	Name
------	-----	-----	------

**Notes:**

[SILVER 130]

1	2.4419.340.0	2	oil filter element
---	--------------	---	--------------------



9\_33815\_02\_0\_0

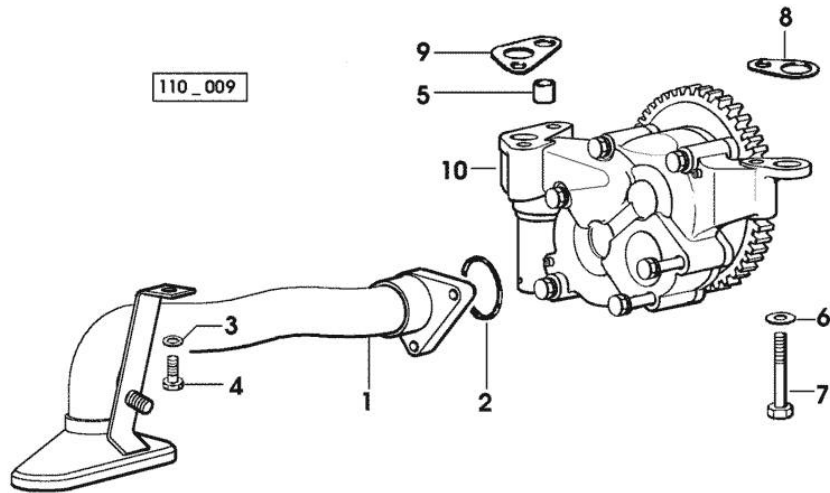
Section: ENGINE  
LUBRICATION

Fig.	P/n	QTY	Name
------	-----	-----	------

Notes:  
[SILVER 130]

1	0.011.0087.4	1	tube
2	2.1539.153.0	1	oil seal 32.99x2.6
3	2.1470.004.2	1	lock washer 8
4	2.0112.205.2	1	screw m 8 p.1.25 x 16
5	0.007.0867.0	1	bush
6	2.1310.006.2	3	flat washer 10.5x21
7	2.0112.322.2	3	screw m 10 p.1.5x65
8	0.007.0972.0	2	shim
9	0.007.0973.0	2	shim
10	0.010.0194.4/30	1	oil pump

☞ 0.010.0194.4/30  
☞ 01.00.32





**Suggest:**

**For more complete manuals. Please go to the home page.**

**<https://www.ebooklibonline.com>**

**If the above button click is invalid. Please download this document first, and then click the above link to download the complete manual.**

**Thank you so much for reading**

Section: ENGINE

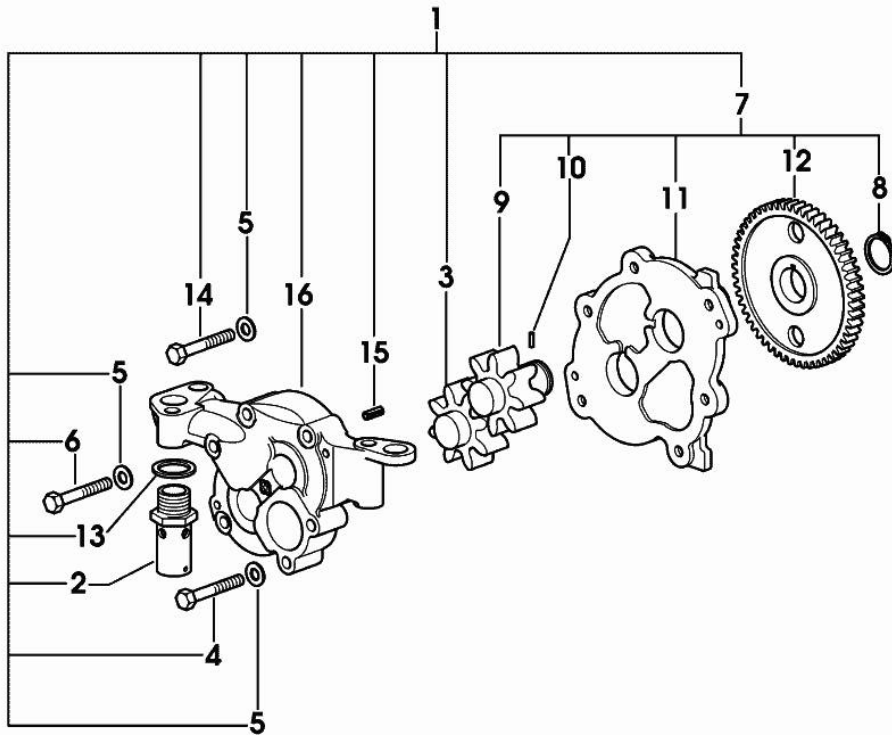
**OIL PUMP**

Fig.	P/n	QTY	Name
------	-----	-----	------

**Notes:**

[SILVER 130]

1	0.010.0194.4/30	1	oil pump ☞ 0.010.0194.4/30
2	0.007.0866.3/10	1	valve
3	0.010.1709.0	1	gear z=8
4	2.0112.220.2	2	screw m 8 p.1.25x55
5	2.1475.002.7	6	washer 8.4
6	2.0112.219.2	2	screw m 8 p.1.25x55
7	0.010.0195.3/20	1	cover
8	2.1410.064.7	1	circlip
9	0.010.1708.0/20	1	gear z=8
10	2.1651.204.0	1	pin 3x10
11	0.000.0000.1		cannot be supplied
12	0.000.0000.1		cannot be supplied
13	2.1560.020.0	1	copper gasket 24.3x32
14	2.0112.217.2	2	screw m 8 p.1.25 x 45
15	2.1630.608.0	2	pin 6x16
16	0.000.0000.1		cannot be supplied



0\_010\_0194\_4\_30

Section: ENGINE  
LUBRICATION

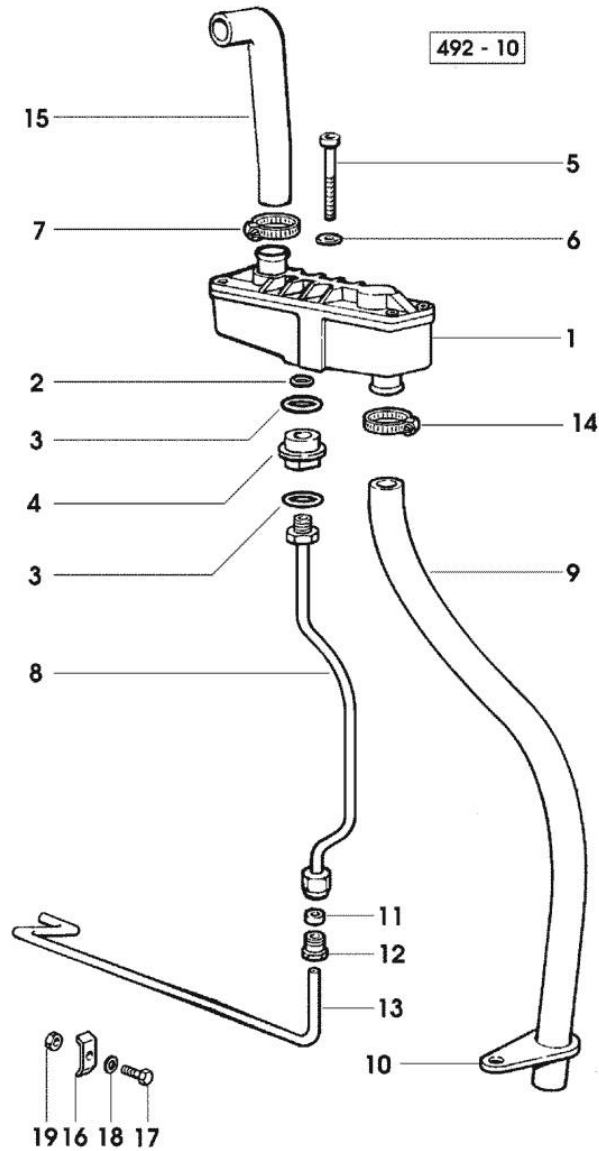


Fig.	P/n	QTY	Name
<b>Notes:</b>			
[SILVER 130]			
1	0.075.1557.4	1	sediment bowl ☞ 01.00.38
2	2.1560.008.0	1	gasket 12.2 x 18
3	2.1539.072.0	2	special oil seal 23.52 x 1.78
4	0.075.1553.0	1	bush
5	2.0312.221.2	2	screw m 8 p.1.25x75
6	2.1480.014.1	2	washer 8
7	2.6859.086.0	2	clamp
8	0.007.0861.0	1	tube
9	0.075.1554.0	1	tube
10	0.075.1151.0	1	bracket
11	2.3350.003.1	1	nosepiece 8
12	2.3339.418.1	1	pipe fitting m 12 p.1
13	0.007.0970.0	1	tube
14	2.6859.086.0	1	clamp
15	0.075.1453.0/10	1	tube
16	0.002.8816.0	1	small plate
17	2.0112.007.2	1	screw m 6 p.1 x 20
18	2.1310.002.2	1	flat washer 6.4x12.5
19	2.1011.103.2	1	nut m 6 p.1

**<https://www.ebooklibonline.com>**

Hello dear friend!

Thank you very much for reading.

Enter the link into your browser.

The full manual is available for immediate download.

**<https://www.ebooklibonline.com>**