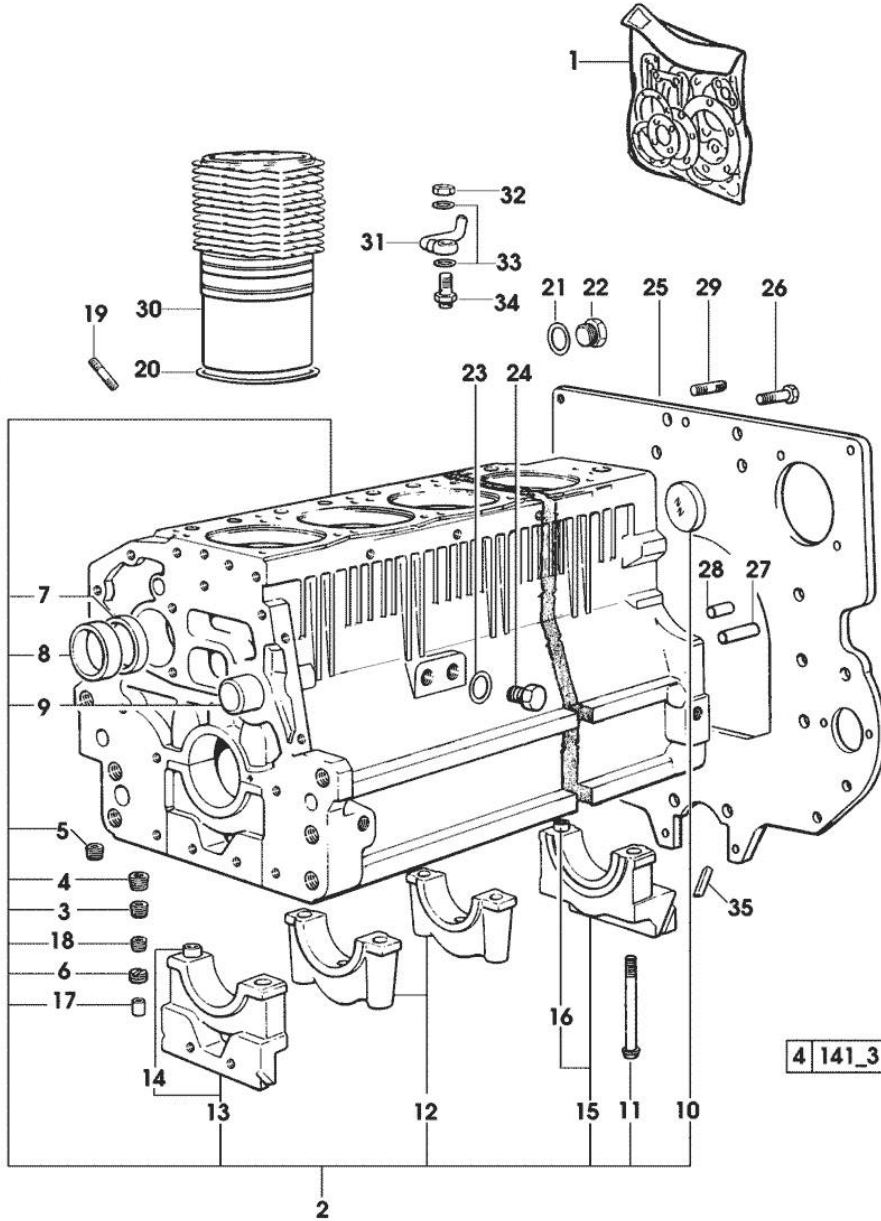


Section: ENGINE  
**CRANKCASE**

Fig.	P/n	QTY	Name
------	-----	-----	------

Notes:  
 [ROW CROP 100.6]

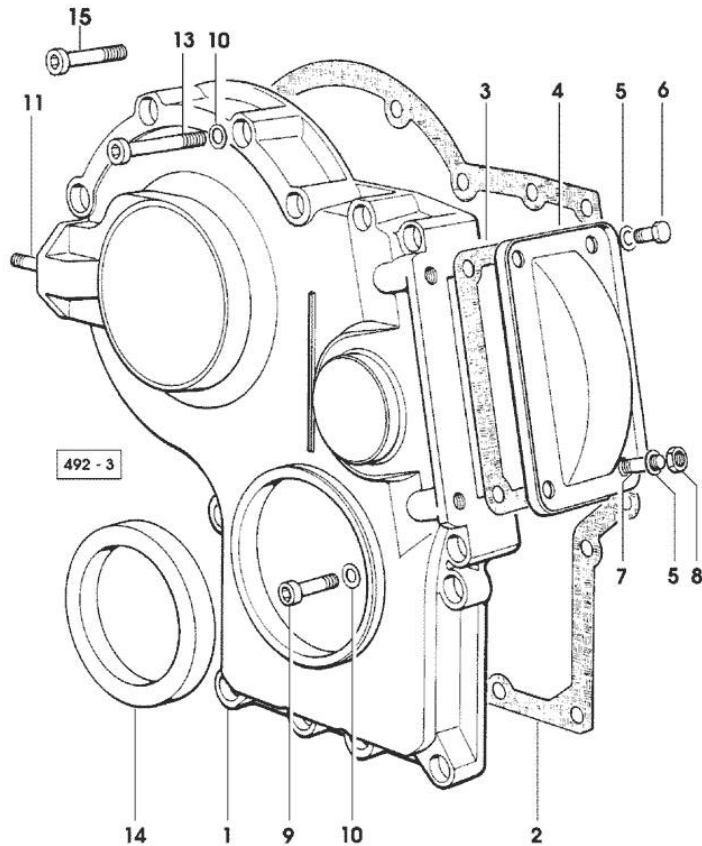
1	0.336.0050.6		gasket set - FOR ENGINE MOUNTING
2	0.007.0779.6/20	1	crankcase
3	2.3130.002.1	2	plug 1/4" gas
4	2.3130.003.1	7	plug 3/8" gas
5	2.3131.006.0	1	plug m 22 x 1.5
6	2.1324.011.0	1	plug
7	0.065.1140.0	6	special bushing 59X55X20
8	0.065.1141.0	1	special bushing 59X55X30
9	0.066.1151.0	1	pin
10	2.3179.012.0	1	plug 60
11	0.065.1117.0	14	screw m 12 x 100
12	0.065.1114.0/10	5	support
13	0.065.1112.7	1	support
14	2.1699.165.0	1	bush 12.3x15x16
15	0.007.0848.3/10	1	support
16	2.1699.165.0	1	bush 12.3x15x16
17	2.3199.092.0	6	plug 8 x 12
18	2.3130.001.1	15	plug 1/8" gas
19	2.0432.003.7	18	stud bolt m 8 p.1.25 / p.1 x 20
20	2.1539.130.0/10	6	special oil seal 117.07x3.53
21	2.1539.047.0	1	special oil seal 26.7x1.78
22	2.3199.405.2	1	plug m 28 p.1.5
23	2.1560.017.0	1	gasket 22.2 x 27
24	2.3120.002.4	1	plug m 22 x 1.5
25	0.010.7201.0	1	flange
26	2.0112.511.1	8	screw m 14 p.2 x 30
27	2.1651.912.0	2	cylindrical plug 12x28
28	2.1651.917.0	1	cylindrical plug 12x40
29	2.0432.255.7	2	stud bolt m 12 p.1.75-1.25x25
30	0.007.0762.0/50	6	engine cylinder
31	0.086.1550.2	6	sprayer nozzle
32	2.1099.108.2	6	special nut m 10 p.1
33	2.1560.006.0	12	gasket 10.2 x 16
34	0.065.1160.3/20	6	valve
35	0.066.1152.0/10	4	gasket



Section: ENGINE  
TIMING CASE

Fig.	P/n	QTY	Name
------	-----	-----	------

Notes:  
[ROW CROP 100.6]



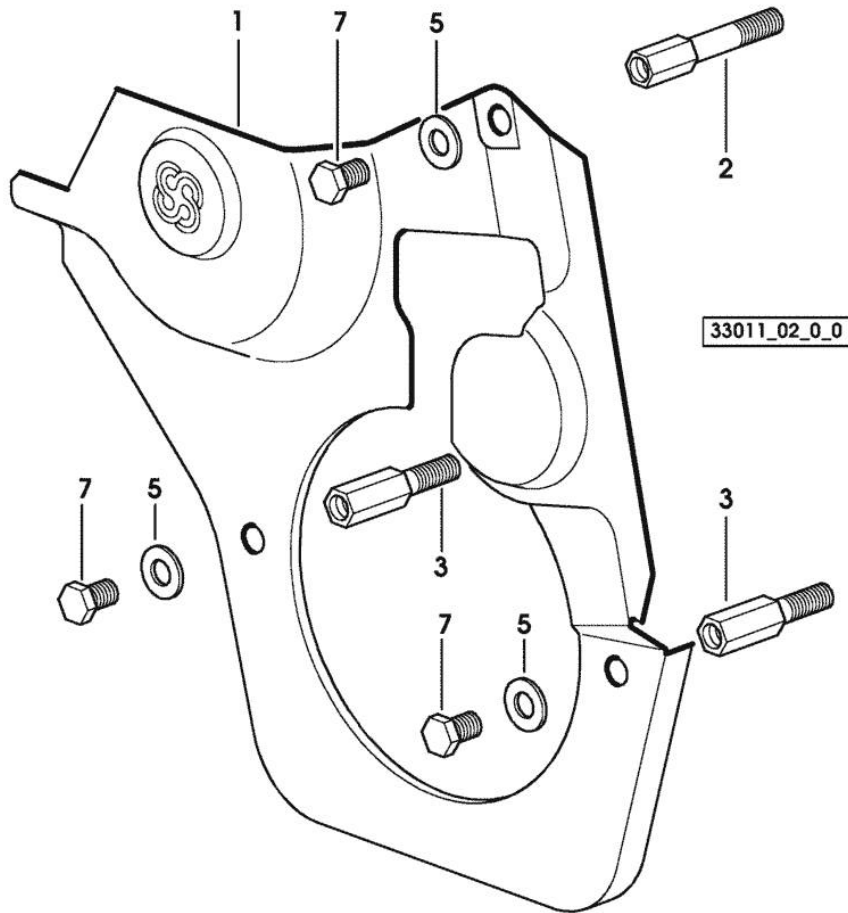
1	0.065.1132.0/60	1	guard
2	0.065.1150.0/30	1	gasket
3	0.065.1152.0	1	gasket
4	0.065.1151.0	1	cover
5	2.1470.004.2	4	lock washer 8
6	2.0112.205.2	2	screw m 8 p.1.25 x 16
7	2.0432.003.7	2	stud bolt m 8 p.1.25 / p.1 x 20
8	2.1011.405.2	2	nut m 8 p.1
9	2.0312.208.2	8	screw m 8 p.1.25 x 25
10	2.1480.014.1	15	washer 8
11	2.0432.003.7	2	stud bolt m 8 p.1.25 / p.1 x 20
13	2.0312.214.1	3	screw m 8 p.1.25 x 40 - X ROW CROP 90 - 100.6
13	2.0312.214.2	7	screw m 8 p.1.25 x 40 - X ROW CROP 100
14	2.1529.141.0	1	special oil seal
15	2.0312.219.2	4	screw m 8 p.1.25x65 - X ROW CROP 90 - 100.6

Section: ENGINE  
TIMING CASE

Fig.	P/n	QTY	Name
------	-----	-----	------

Notes:  
[ROW CROP 100.6]

1	0.007.1262.3/50	1	guard
2	0.007.1271.0/10	1	small column m 8 p.1.25 / L = mm 60
3	0.007.1272.0/10	2	small column m 8 p.1.25 / L = mm 50
5	2.1310.004.2	3	flat washer 8.4x17
7	2.0112.205.2	3	screw m 8 p.1.25 x 16



**<https://www.ebooklibonline.com>**

Hello dear friend!

Thank you very much for reading.

Enter the link into your browser.

The full manual is available for immediate download.

**<https://www.ebooklibonline.com>**

Section: ENGINE

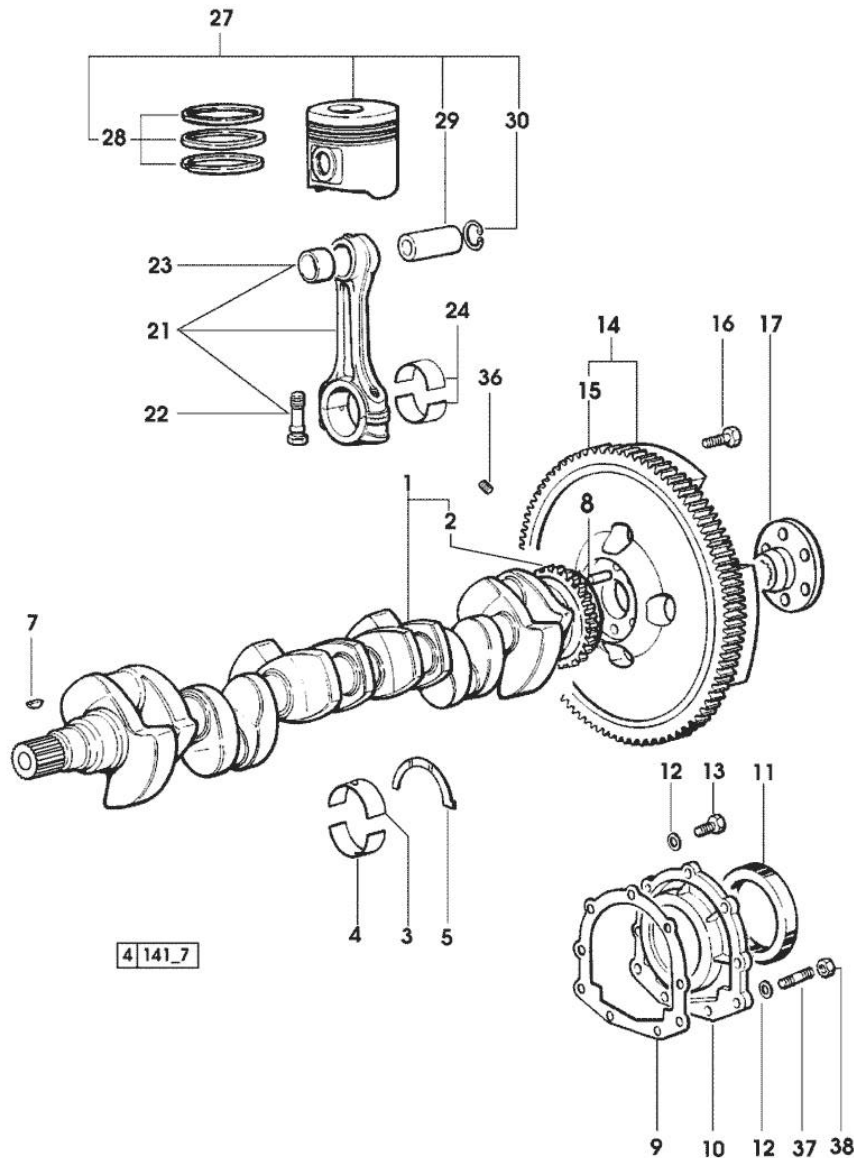
**CRANKSHAFT**

Fig.	P/n	QTY	Name
------	-----	-----	------

Notes:

[ROW CROP 100.6]

1	0.010.4320.3/20	1	crankshaft
2	0.007.0855.0	1	gear
3	0.065.1215.0	7	main half bushing STANDARD
3	0.065.1215.7		main half bushing - mm 0.25
3	0.065.1215.8		main half bushing - mm 0.50
4	0.065.1216.0	7	main half bushing
4	0.065.1216.7		main half bushing - mm 0.25
4	0.065.1216.8		main half bushing - mm 0.50
5	0.065.1218.0	4	shim STANDARD
5	0.065.1218.7		shim + mm 0.10
5	0.065.1218.8		shim + mm 0.15
7	2.1720.006.0	1	key 4x6.5
8	2.1652.915.0	1	cylindrical plug 12x35
9	0.065.1254.0/20	1	gasket
10	0.007.0851.0/10	1	cover
11	2.1529.073.0	1	special oil seal 110x130x13
12	2.1475.002.0	9	spring washer 8
13	2.0112.207.2	7	screw m 8 p 1.25 x 20
14	0.007.1702.3/30	1	flywheel
15	0.065.1242.0	1	crown wheel Z = 123
16	2.0139.022.2	6	screw m 12 p.1.25x55
17	0.008.5543.0	1	flange
21	0.078.1220.3/30	6	engine connecting rod
22	2.0399.213.0	2	screw m 12 p.1.25x61.5
23	2.1559.114.0/10	1	special bushing
24	0.065.1225.0	12	con.rod half bushing STANDARD - A = 28.75 -> 29.00
24	0.065.1225.7		con.rod half bushing - mm 0.25
24	0.065.1225.8		con.rod half bushing - mm 0.50
27	0.086.0060.6/30	6	complete piston
27	0.379.0060.6	6	complete piston - EXPORT U.S.A.
28	0.086.0052.6/10	6	piston ring set
29	0.078.1236.0	6	piston pin Ø 18 / Ø 35 / L = mm 86
30	2.1411.014.1	12	circlip 35
36	2.3130.001.1	6	plug 1/8" gas
37	2.0432.003.7	2	stud bolt m 8 p.1.25 / p.1 x 20
38	2.1011.105.2	2	nut m 8 p.1.25



Section: ENGINE

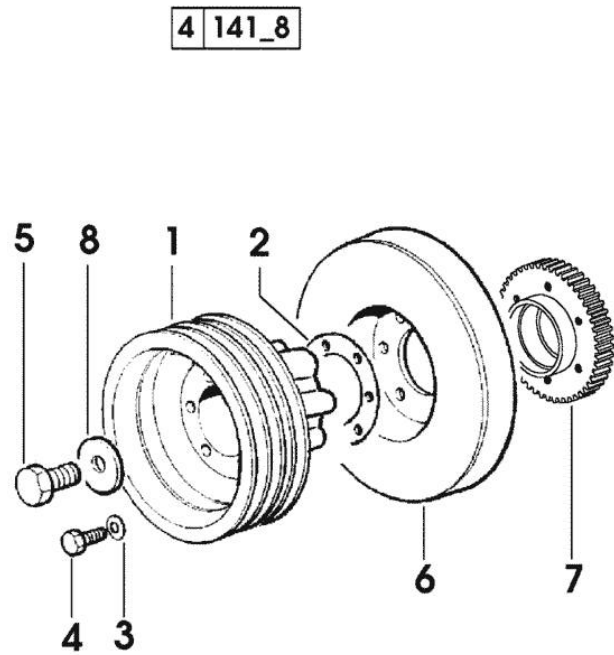
**ENGINE SHAFT - PULLEYS**

Fig.	P/n	QTY	Name
------	-----	-----	------

**Notes:**

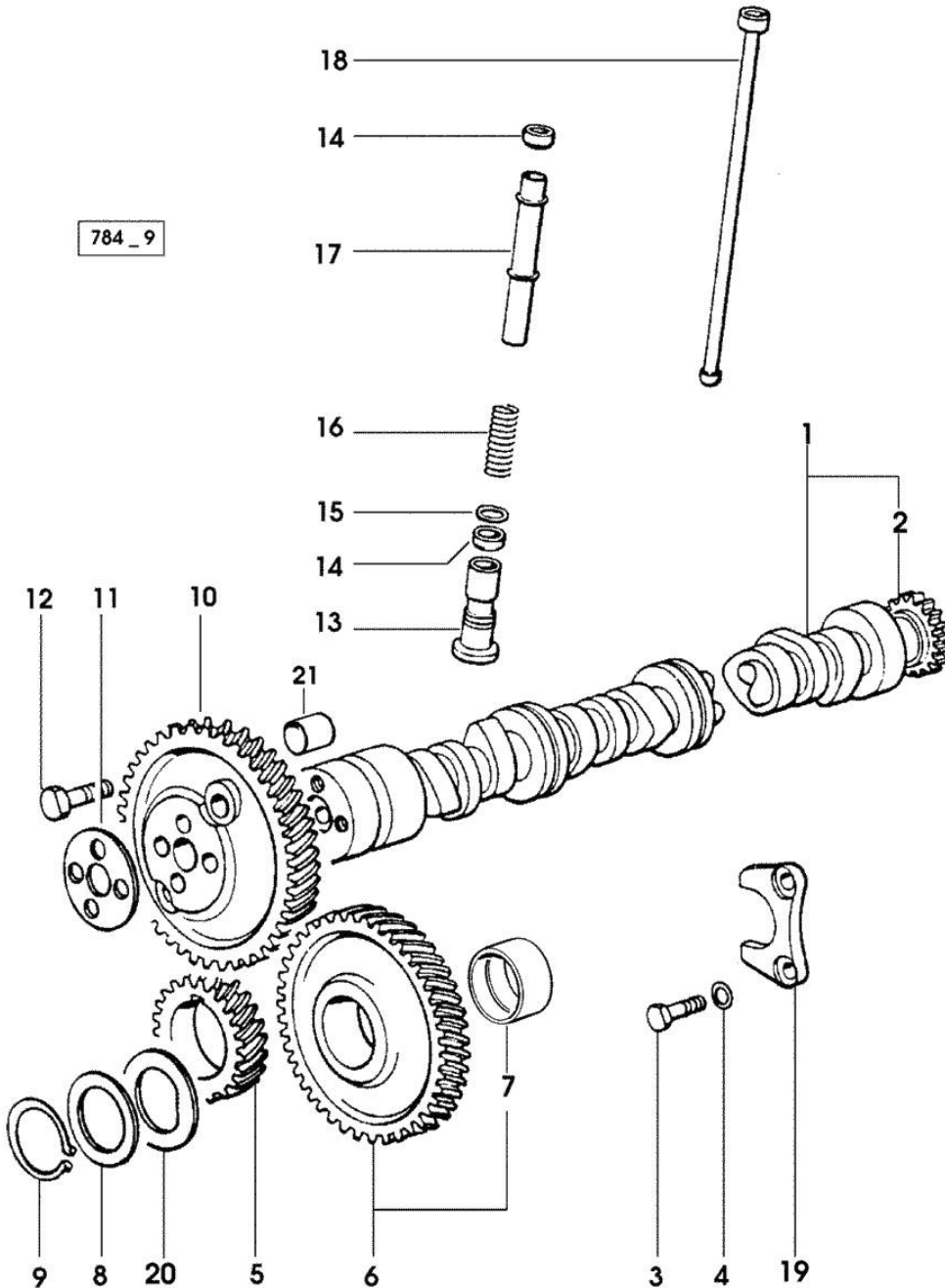
[ROW CROP 100.6]

1	0.007.6161.0	1	pulley
2	2.1589.136.0	2	shoulder ring 71x110x0.5
2	2.1589.137.0	2	shoulder ring 71x110x1
3	2.1470.006.2	6	lock washer 10
4	2.0112.322.2	6	screw m 10 p.1.5x65
5	2.0399.144.7/10	1	screw m 20 p.1.5x51
6	0.007.1010.3	1	antivibration pulley
7	0.011.2206.0/10	1	hub
8	2.1599.524.7	1	washer 21x60x12



Section: ENGINE

**CAMSHAFT**



784\_9

Fig.	P/n	QTY	Name
------	-----	-----	------

Notes:  
[ROW CROP 100.6]

1	0.010.4968.3/10	1	camshaft - EXPORT U.S.A.
1	0.075.1310.3/30	1	camshaft
2	0.065.1324.0/10	1	gear Z = 32
3	2.0312.206.2	2	screw m 8 p 1.25 x 20
4	2.1480.014.1	2	washer 8
5	0.007.1188.0/20	1	gear Z = 29
6	0.007.1177.3/10	1	gear z = 57 - WITH RED IDENTIFICATION STAMP
6	0.007.1178.3/10	1	gear z = 57 - WITH YELLOW IDENTIFICATION STAMP
6	0.007.1179.3/10	1	gear z = 57 - WITH GREEN IDENTIFICATION STAMP
7	2.1559.185.0/10	1	bushing
8	0.065.1352.0	1	shim
9	2.1410.016.1	1	circlip 40
10	0.065.1354.0/20	1	gear z=58
11	0.065.1350.0	1	small disc
12	2.0132.207.2	4	screw m 10 p.1 x 25
13	0.065.1330.0	12	tappets
14	2.1569.114.0/10	24	gasket 14x18.5x8
15	2.1599.437.0	12	shoulder ring
16	2.4019.300.1/10	12	spring 18.5x52x2
17	0.065.1332.0	12	sleeve
18	0.065.1331.2	12	rod
19	0.065.1353.0	1	small plate
20	0.065.1351.0	2	shoulder ring
21	2.1559.398.0	1	bushing 10.5x13x12

Section: ENGINE  
CYLINDER HEAD

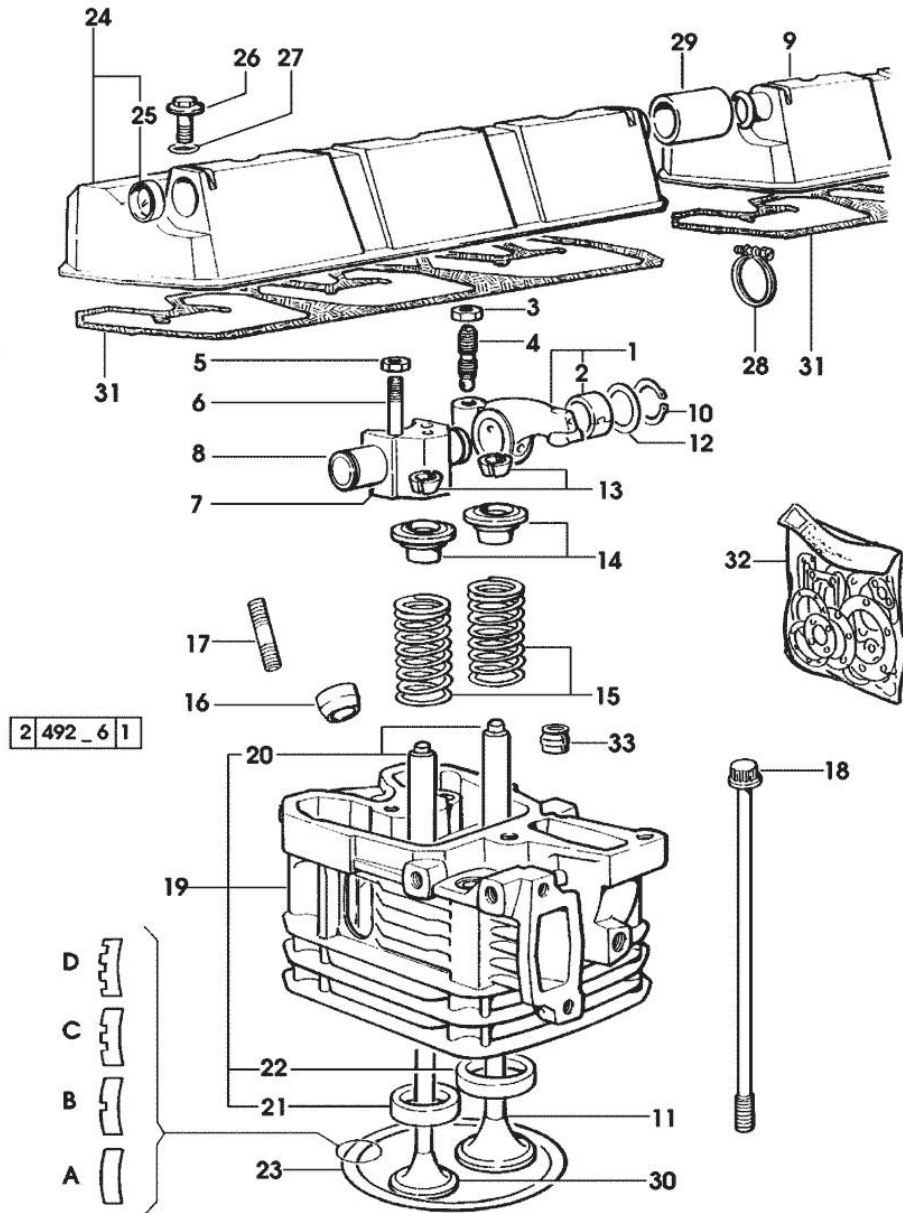


Fig.	P/n	QTY	Name
------	-----	-----	------

Notes:  
[ROW CROP 100.6]

1	0.066.1432.3	12	rocker arm
2	2.1559.021.0/40	12	bushing 15x19x22
3	2.1011.405.2	12	nut m 8 p.1
4	0.021.1434.0	12	screw
5	2.1011.421.2	12	nut m 10 p.1.25
6	2.0432.163.7	12	stud bolt m 10 p.1.5 / p.1.25 x 45
7	0.066.1430.0/10	6	support
8	0.066.1431.0	6	pin
9	0.078.1450.3	1	cover
10	2.1410.055.1	12	circlip 19
11	0.010.6016.0	6	inlet valve mm 43.63 / Ø mm 9
12	2.1599.432.0	12	shoulder ring
13	0.074.1423.0	24	conical valve cotter
14	0.066.1425.0	12	cup
15	2.4019.287.0	12	spring
16	0.007.1122.0/10	6	bush L = mm 6.4
17	2.0432.161.7	6	stud bolt m 10 p.1.5 / p.1.25 x 40
18	0.065.1443.0/20	24	screw
19	0.007.1110.3/50	6	engine head
20	0.007.1779.0/10	12	valve guide
21	0.066.1427.0	6	valve seat
22	0.078.1426.0	6	valve seat
23	0.085.1450.0		head gasket mm 0.5 -A-
23	0.085.1451.0		head gasket mm 0.7 -B-
23	0.085.1452.0		head gasket mm 1.0 -C-
23	0.085.1453.0		head gasket mm 0.8 -D-
24	0.078.1440.3	1	cover
25	2.3171.008.4	1	plug 20
26	2.0399.130.2/10	6	screw m 8x36x44
27	2.1532.035.0	6	oil seal 14x1.78
28	2.6859.052.2	2	clamp
29	0.075.1452.0/10	1	sleeve
30	0.066.1421.0	6	exhaust valve
31	0.069.1450.0/30	2	tappet gasket
32	0.336.0057.6		gasket set - FOR 1 CYLINDER VALVE GRINDING AND PISTON RINGS REPLACEMENT
33	2.1519.117.0	12	special oil seal

Section: ENGINE  
LUBRICATION

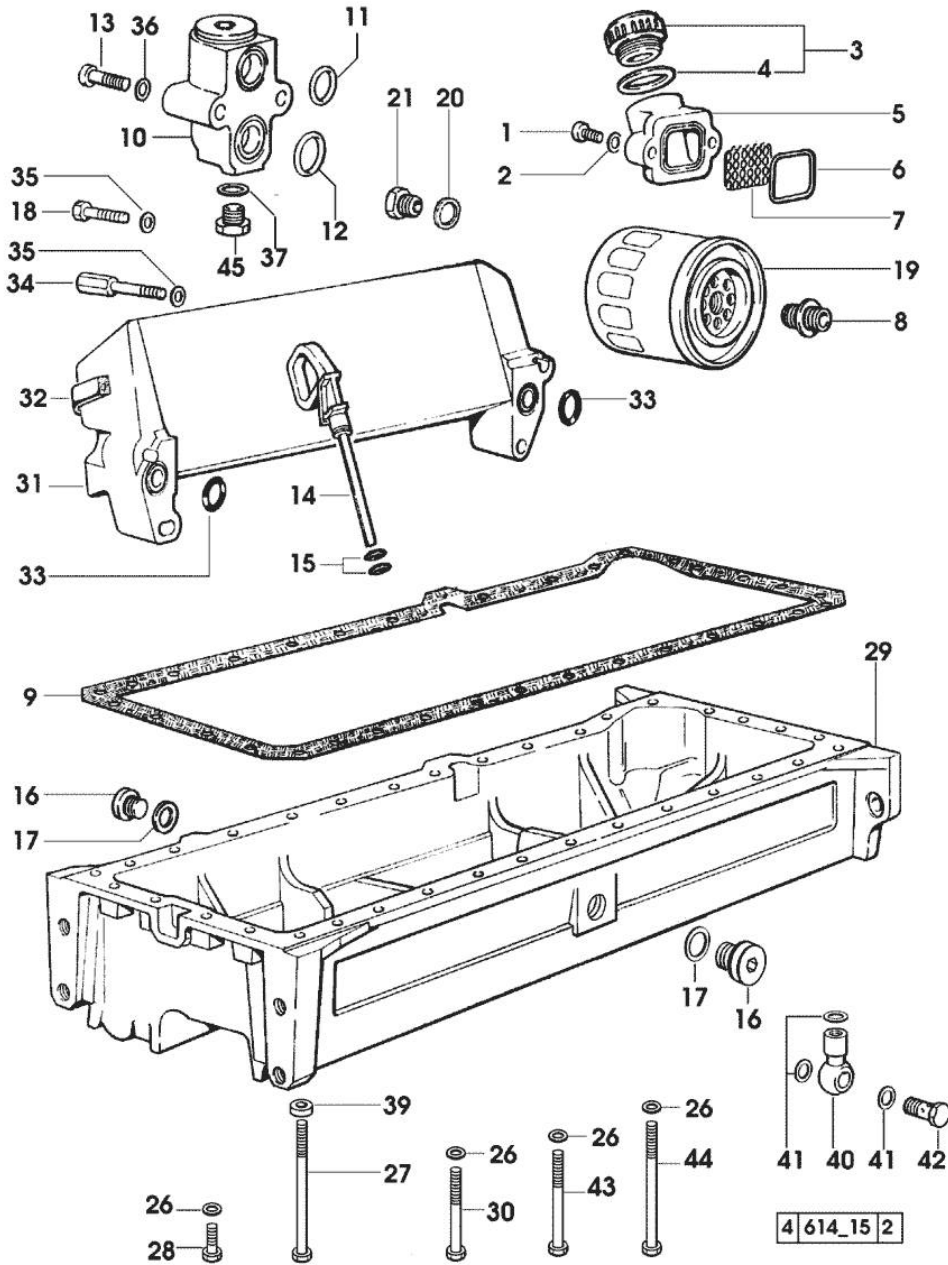


Fig.	P/n	QTY	Name
------	-----	-----	------

Notes:  
[ROW CROP 100.6]

1	2.0312.206.2	2	screw m 8 p 1.25 x 20
2	2.1480.014.1	2	washer 8
3	0.041.1135.4	1	plug 1" gas
4	2.1569.072.0	1	gasket 32 x 39.5 x 2
5	0.065.1565.0/10	1	pipe union
6	2.1539.042.0	1	special oil seal 47.35x1.78
7	0.065.1567.0/10	1	filter
8	2.3339.307.0	2	pipe fitting m 22 p.1.5-3/4"
9	0.007.0849.0/10	1	gasket
10	0.065.1581.4/20	1	valve
11	2.1539.048.0	1	special oil seal 20.35x1.78
12	2.1539.072.0	1	special oil seal 23.52 x 1.78
13	2.0312.215.1	2	screw m 8 p.1.25 x 45
14	0.080.1513.2/10	1	dipstick
15	2.1539.065.0	2	special oil seal 8.73 x 1.78
16	2.3199.001.2	2	plug 1/2" gas
17	2.1560.054.0	2	gasket 21 x 26
18	2.0112.221.2	2	screw m 8 p.1.25 x 60
19	0.044.1567.0	2	oil filter element
20	2.1560.014.0	1	washer 18.2 x 24
21	2.3339.353.2/20	1	pipe fitting 12 p.1.5-18 p.1.5
26	2.1470.004.2	34	lock washer 8
27	2.0112.243.2	2	screw m 8 p.1.25x170
28	2.0112.215.2	25	screw m 8 p.1.25 x 40
29	0.007.1311.0/10	1	oil sump
30	2.0112.229.2	3	screw m 8 p.1.25 x 100
31	0.007.0775.3	1	radiator
32	0.007.0878.0	2	gasket
33	2.1539.048.0	2	special oil seal 20.35x1.78
34	2.0399.153.2	2	screw m 8 p.1.25
35	2.1480.014.1	4	washer 8
36	2.1480.014.1	2	washer 8
37	2.1560.010.0	1	gasket 14.2 x 20
39	2.1579.854.2	2	spacer 8.5x20x5
40	2.3249.014.2	1	pipe fitting m 12 p.1.5
41	2.1560.008.0	3	gasket 12.2 x 18
42	2.3335.052.2	1	pipe union m 12 p.1.5
43	2.0112.235.2	2	screw m 8 p.1.25 x 130
44	2.0112.241.2	4	screw m 8 p.1.25 x 160
45	2.3110.403.1	1	plug m 14 p.1.5x12



**Suggest:**

**For more complete manuals. Please go to the home page.**

**<https://www.ebooklibonline.com>**

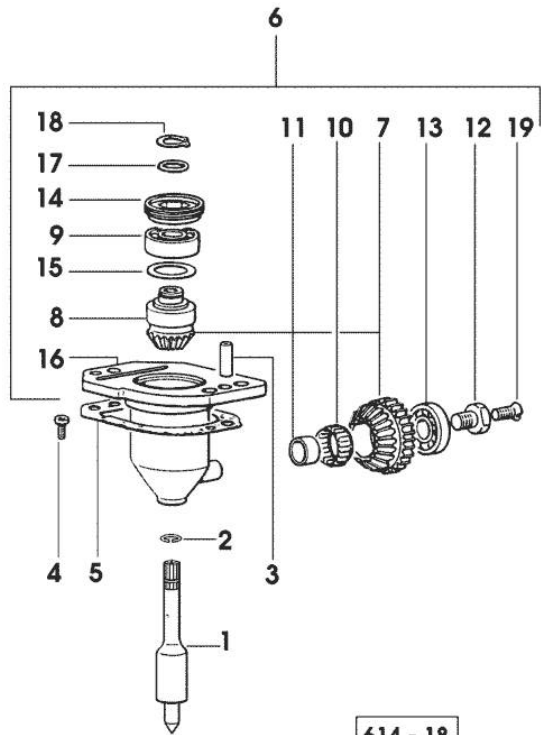
**If the above button click is invalid. Please download this document first, and then click the above link to download the complete manual.**

**Thank you so much for reading**

Section: ENGINE  
**LUBRICATION**

Fig.	P/n	QTY	Name
------	-----	-----	------

Notes:  
 [ROW CROP 100.6]



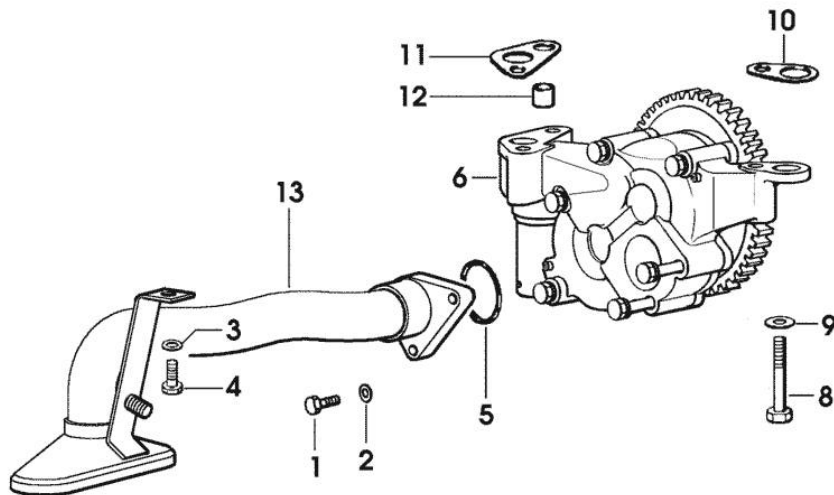
1	0.007.1036.0	1	shaft
2	2.1420.003.0	1	circlip a 10
3	2.1651.711.0	1	pin 8 x 14
4	2.0169.005.2	2	screw m 6 p.1 x 12
5	0.065.1560.0/20	1	gasket
6	0.075.1551.4/20	1	support
7	0.065.1558.6/10	1	bevel drive
8	0.065.1559.0	1	bush
9	2.2020.001.0	1	ball bearing 15 x 32 x 8.00
10	2.2725.016.0	1	roller cage 15 x 21 x 12
11	2.2680.020.0	1	ring 12 x 15 x 12
12	2.0399.128.2/10	1	screw m 8 p.1 x 8
13	2.2030.002.0	1	ball bearing 12 x 28 x 8
14	2.1219.025.2/10	1	ring nut m 36 p.1.5
15	2.1589.148.0	1	shoulder ring 28.2 x 31.8 x 0.5
15	2.1589.150.0	2	shoulder ring 28.2 x 31.8 x 0.1
15	2.1589.151.0	2	shoulder ring 28.2 x 31.8 x 0.15
16	0.075.1551.3/30	1	support
17	2.1589.146.0	2	shoulder ring 15.2 x 19 x 0.15
17	2.1589.147.0	2	shoulder ring 15.2 x 19 x 0.10
17	2.1589.153.0	1	shoulder ring 15.2 x 19 x 1.00
18	2.1410.057.1	1	circlip 15
19	2.0342.007.2	1	screw m 4 p.0.7x25

Section: ENGINE  
**LUBRICATION**

Fig.	P/n	QTY	Name
------	-----	-----	------

Notes:  
 [ROW CROP 100.6]

1	2.0112.221.2	2	screw m 8 p.1.25 x 60
2	2.1475.002.7	6	washer 8.4
3	2.1470.004.2	1	lock washer 8
4	2.0112.205.2	1	screw m 8 p.1.25 x 16
5	2.1539.153.0	1	oil seal 32.99x2.6
6	0.010.0194.4/30	1	oil pump ⚙ 0.010.0194.4/30 ⚙ 01.00.20
8	2.0112.322.2	3	screw m 10 p.1.5x65
9	2.1310.006.2	3	flat washer 10.5x21
10	0.007.0972.0	2	shim
11	0.007.0973.0	2	shim
12	0.007.0867.0	1	bush
13	0.011.0087.4	1	tube



4 141\_20

**<https://www.ebooklibonline.com>**

Hello dear friend!

Thank you very much for reading.

Enter the link into your browser.

The full manual is available for immediate download.

**<https://www.ebooklibonline.com>**