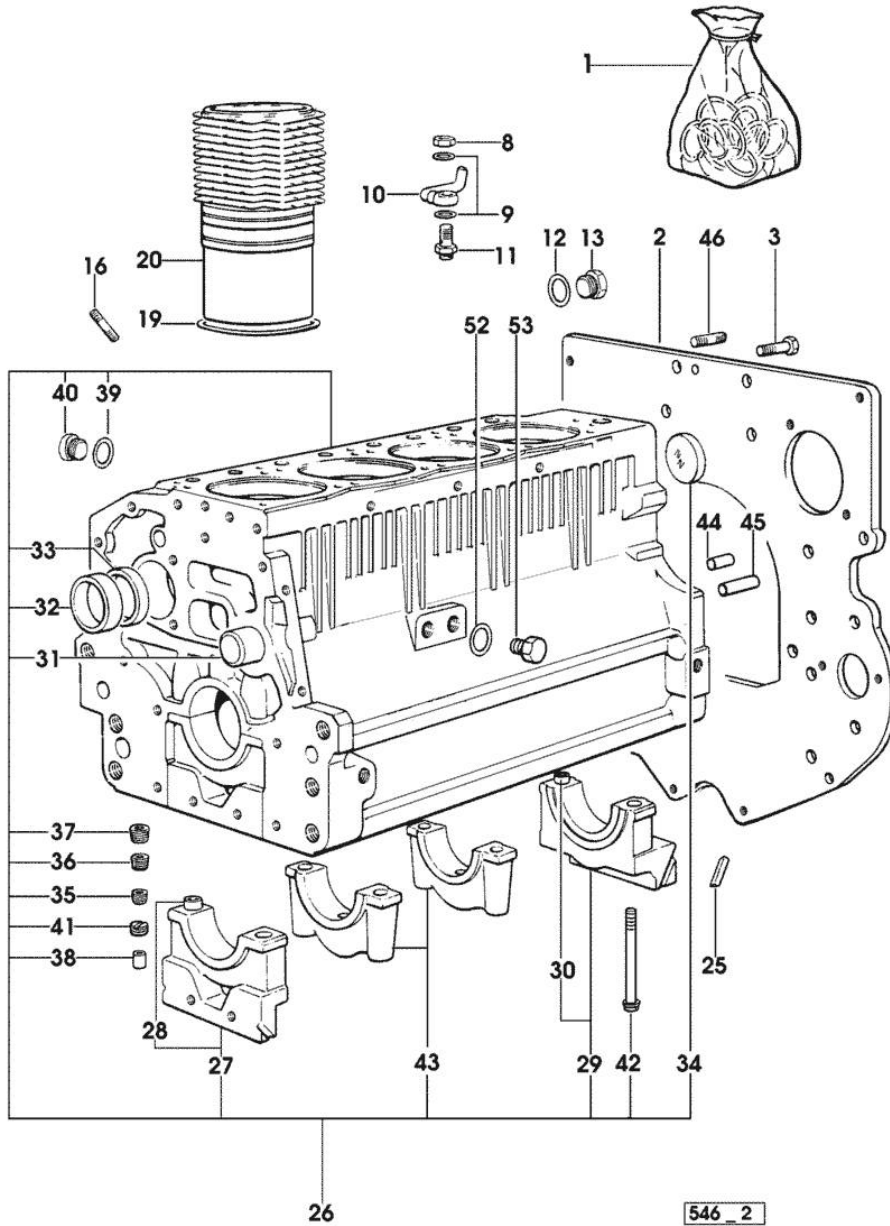


Section: ENGINE
CRANKCASE

Fig.	P/n	QTY	Name
------	-----	-----	------

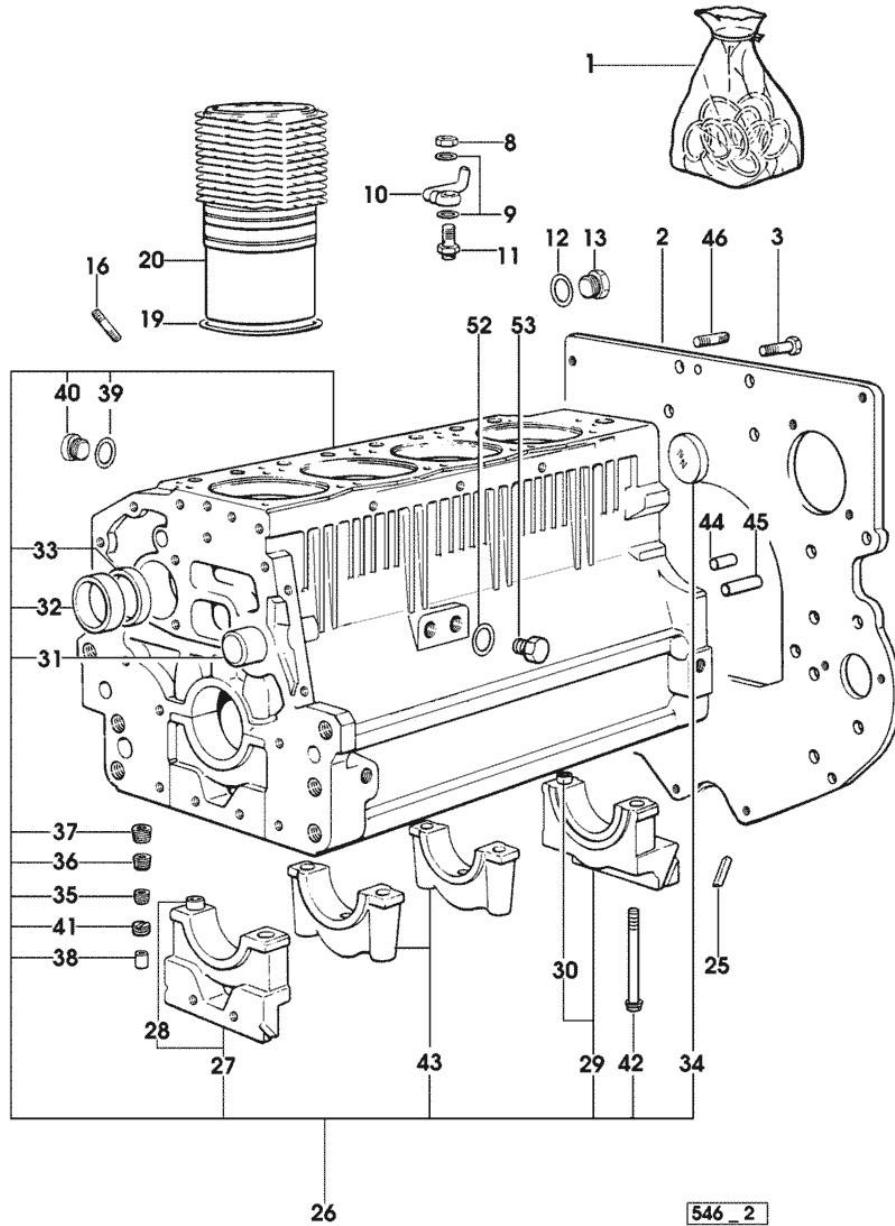
Notes:
 [ROW CROP 90]

1	0.087.0050.6/10	1	gasket set - FOR ENGINE MOUNTING
2	0.066.1130.0/20	1	flange
3	2.0112.511.1	8	screw m 14 p.2 x 30
8	2.1099.108.2	4	special nut m 10 p.1
9	2.1560.006.0	8	gasket 10.2 x 16
10	0.086.1550.2	4	sprayer nozzle
11	0.065.1160.3/20	4	valve
12	2.1539.047.0	1	special oil seal 26.7x1.78
13	2.3199.405.2	1	plug m 28 p.1.5
16	2.0432.003.7	12	stud bolt m 8 p.1.25 / p.1 x 20
19	2.1519.096.0/20	4	special oil seal 107.67x1.78 (...) <=
19	2.1539.130.0/10	4	special oil seal 117.07x3.53 => (...)
20	0.007.0762.0/50	4	engine cylinder => (...)
20	0.085.1120.0/10	4	engine cylinder (...) <=
25	0.066.1152.0/10	4	gasket
26	0.007.1140.6/10	1	crankcase => 6769
26	0.086.1110.6	1	crankcase 6768 <=
27	0.065.1112.7	1	support
28	2.1699.165.0	1	bush 12.3x15x16
29	0.065.1116.3	1	support
30	2.1699.165.0	1	bush 12.3x15x16
31	0.066.1151.0	1	pin
32	0.065.1141.0	1	special bushing 59X55X30
33	0.065.1140.0	4	special bushing 59X55X20
34	2.3179.012.0	1	plug 60
35	2.3130.001.1	11	plug 1/8" gas
36	2.3130.002.1	2	plug 1/4" gas
37	2.3130.003.1	7	plug 3/8" gas
38	2.3199.092.0	4	plug 8 x 12
39	2.1560.017.0	1	gasket 22.2 x 27 (...) <=
40	2.3120.002.4	1	plug m 22 x 1.5 (...) <=
41	2.1324.011.0	1	plug



CRANKCASE

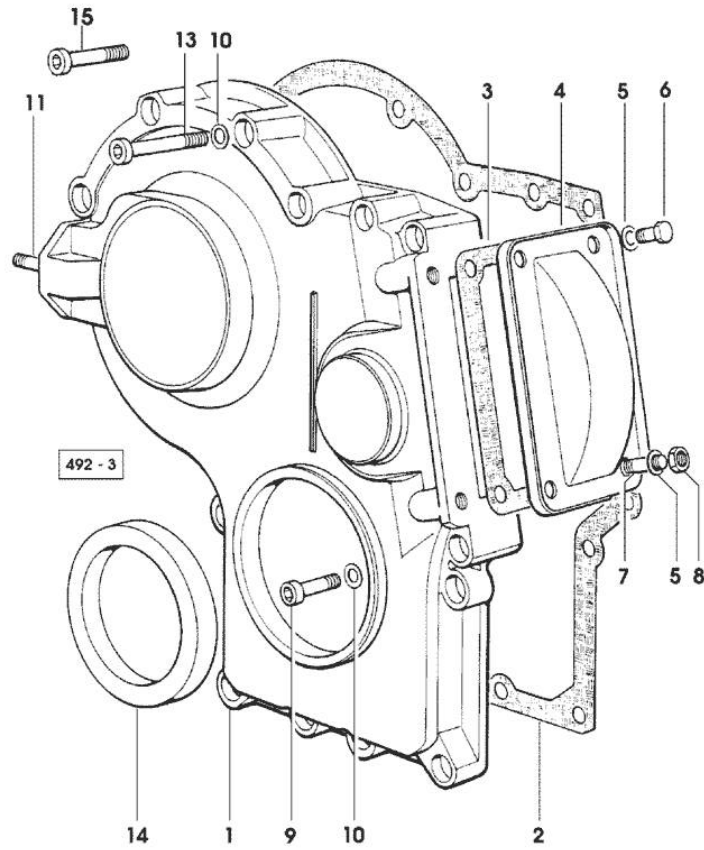
Fig.	P/n	QTY	Name
42	0.065.1117.0	10	screw m 12 x 100
43	0.065.1114.0/10	3	support
44	2.1651.912.0	2	cylindrical plug 12x28
45	2.1651.917.0	1	cylindrical plug 12x40
46	2.0432.255.7	2	stud bolt m 12 p.1.75-1.25x25
52	2.1560.017.0	1	gasket 22.2 x 27
53	2.3120.002.4	1	plug m 22 x 1.5



Section: ENGINE
TIMING CASE

Fig.	P/n	QTY	Name
------	-----	-----	------

Notes:
[ROW CROP 90]



1	0.065.1132.0/60	1	guard
2	0.065.1150.0/30	1	gasket
3	0.065.1152.0	1	gasket
4	0.065.1151.0	1	cover
5	2.1470.004.2	4	lock washer 8
6	2.0112.205.2	2	screw m 8 p.1.25 x 16
7	2.0432.003.7	2	stud bolt m 8 p.1.25 / p.1 x 20
8	2.1011.405.2	2	nut m 8 p.1
9	2.0312.208.2	8	screw m 8 p.1.25 x 25
10	2.1480.014.1	15	washer 8
11	2.0432.003.7	2	stud bolt m 8 p.1.25 / p.1 x 20
13	2.0312.214.1	3	screw m 8 p.1.25 x 40 - X ROW CROP 90 - 100.6
13	2.0312.214.2	7	screw m 8 p.1.25 x 40 - X ROW CROP 100
14	2.1529.141.0	1	special oil seal
15	2.0312.219.2	4	screw m 8 p.1.25x65 - X ROW CROP 90 - 100.6

<https://www.ebooklibonline.com>

Hello dear friend!

Thank you very much for reading.

Enter the link into your browser.

The full manual is available for immediate download.

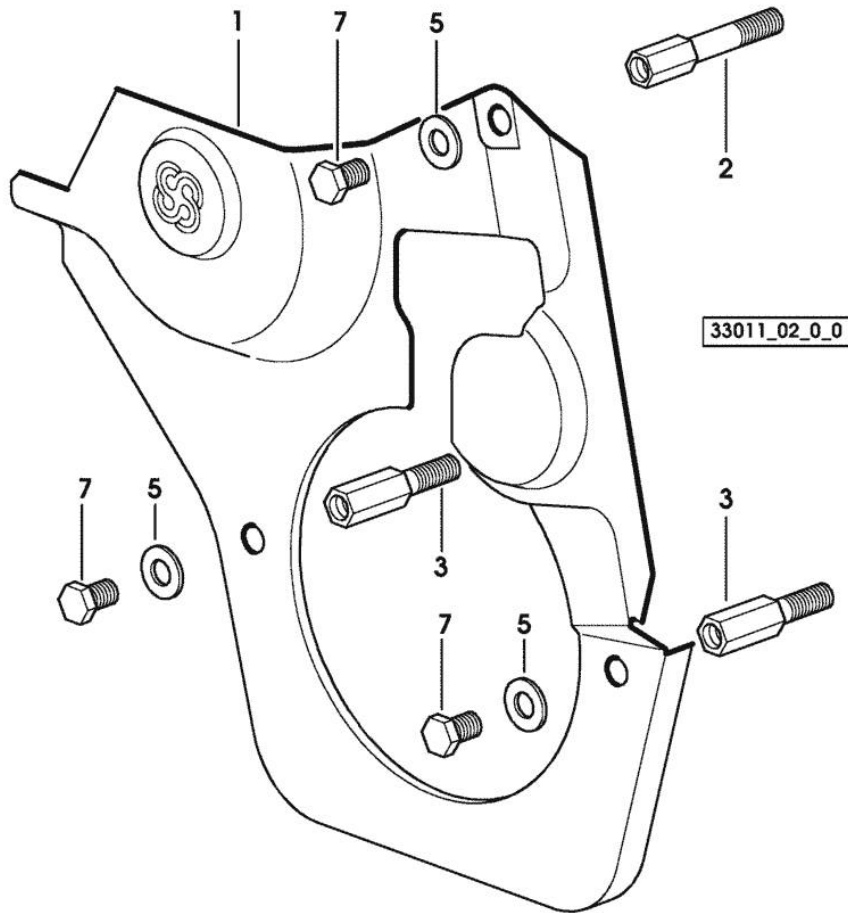
<https://www.ebooklibonline.com>

Section: ENGINE
TIMING CASE

Fig.	P/n	QTY	Name
------	-----	-----	------

Notes:
[ROW CROP 90]

1	0.007.1262.3/50	1	guard
2	0.007.1271.0/10	1	small column m 8 p.1.25 / L = mm 60
3	0.007.1272.0/10	2	small column m 8 p.1.25 / L = mm 50
5	2.1310.004.2	3	flat washer 8.4x17
7	2.0112.205.2	3	screw m 8 p.1.25 x 16



Section: ENGINE

CRANKSHAFT

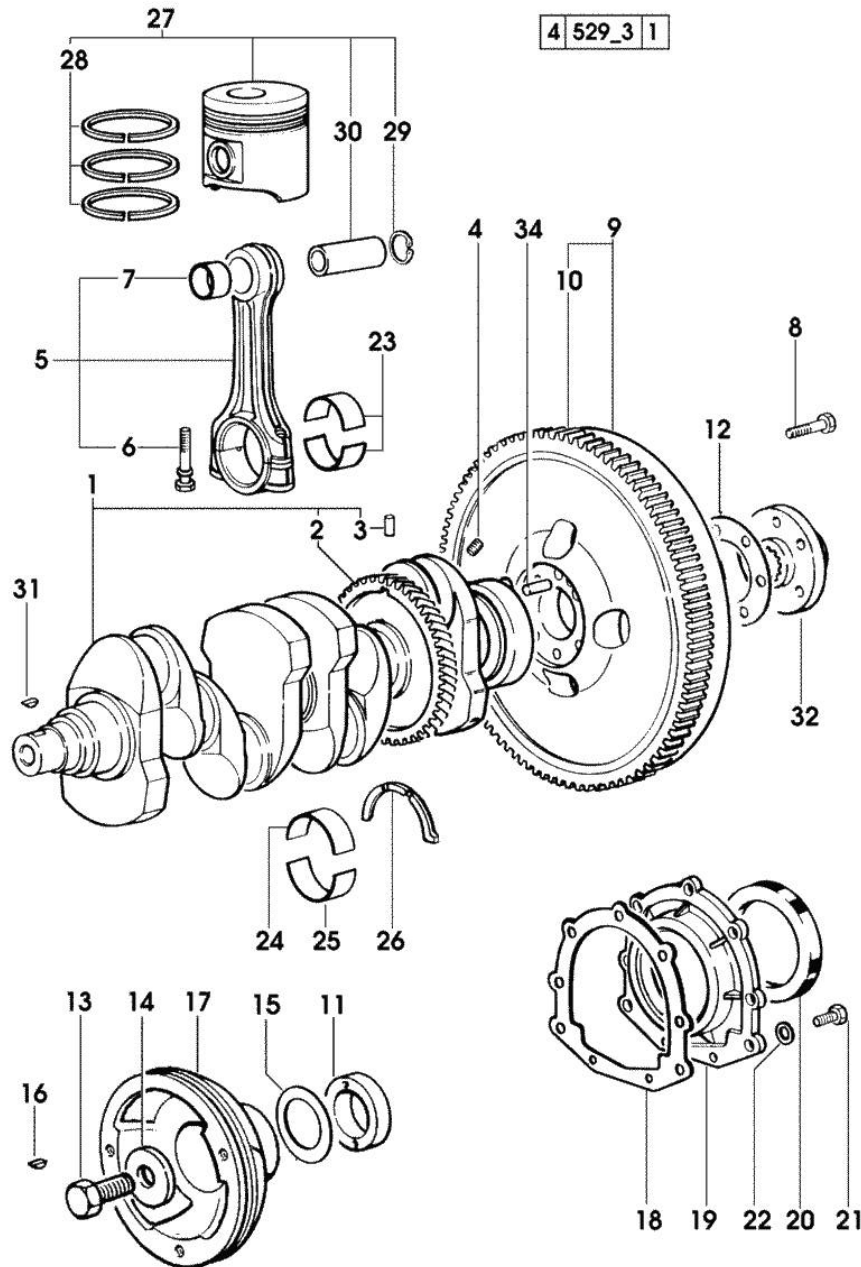


Fig.	P/n	QTY	Name
Notes:			
[ROW CROP 90]			
1	0.086.1210.3/30	1	crankshaft * (...) <= X ROW CROP 90 - N.1 - 007.1711.0/10 - X ROW CROP 100
2	0.065.1211.0/10	1	crown wheel
3	2.1630.608.0	1	pin 6x16
4	2.3130.001.1	4	plug 1/8" gas
5	0.078.1220.3/30	4	engine connecting rod
6	2.0399.213.0	8	screw m 12 p.1.25x61.5
7	2.1559.114.0/10	4	special bushing
8	2.0139.022.2	6	screw m 12 p.1.25x55
9	0.007.1702.3/30	1	flywheel -> 1764 X ROW CROP 90 - X ROW CROP 100
9	0.008.4049.3	1	flywheel mm 373 -> 1358 - 1763 <- X ROW CROP 90
9	0.076.1247.3/20	1	flywheel 1357 <- X ROW CROP 90
10	0.065.1242.0	1	crown wheel Z = 123
11	0.085.1248.0/10	1	hub
12	2.1589.189.0	2	shoulder ring mm 1.00
13	2.0399.144.7/10	1	screw m 20 p.1.5x51
14	2.1599.524.7	1	washer 21x60x12
15	2.1589.189.0	2	shoulder ring mm 1.00 - X ROW CROP 90
16	2.1720.006.0	1	key 4x6.5
17	0.007.1330.0/30	1	pulley - X ROW CROP 90
17	0.007.1457.0/20	1	pulley - X ROW CROP 100
18	0.065.1254.0/20	1	gasket
19	0.007.1711.0/10	1	cover => (...) X ROW CROP 90 - X ROW CROP 100
19	0.065.1253.0/20	1	cover (...) <= X ROW CROP 90
20	2.1529.073.0	1	special oil seal 110x130x13
21	2.0112.207.2	9	screw m 8 p 1.25 x 20
22	2.1475.202.2	9	spring washer 8.4 x 16
23	0.065.1225.0	8	con.rod half bushing STANDARD - A = 28.75 -> 29.00
23	0.065.1225.7	8	con.rod half bushing - mm 0.25

CRANKSHAFT

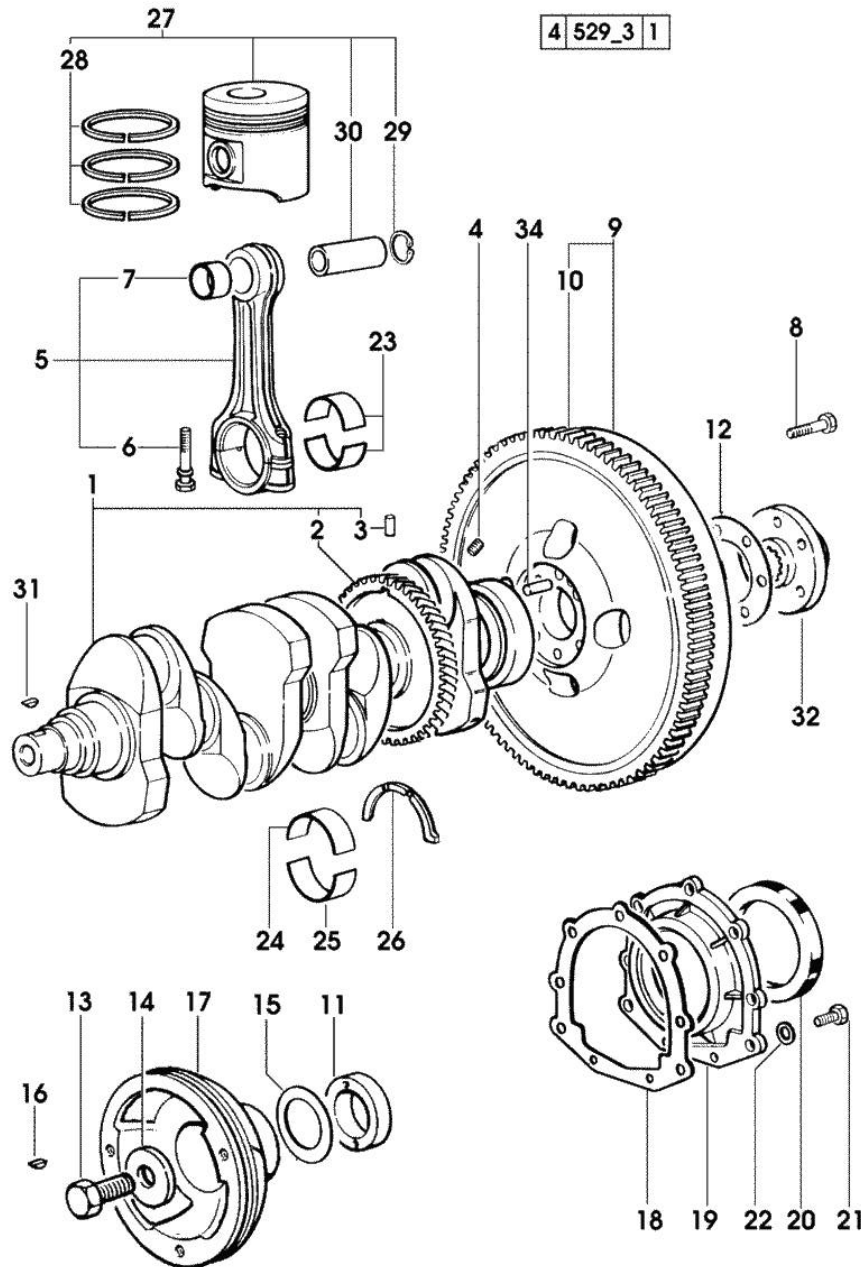


Fig.	P/n	QTY	Name
23	0.065.1225.8		con.rod half bushing - mm 0.50
24	0.065.1215.0	5	main half bushing STANDARD
24	0.065.1215.7		main half bushing - mm 0.25
24	0.065.1215.8		main half bushing - mm 0.50
25	0.065.1216.0	5	main half bushing
25	0.065.1216.7		main half bushing - mm 0.25
25	0.065.1216.8		main half bushing - mm 0.50
26	0.065.1218.0	4	shim STANDARD
26	0.065.1218.7		shim + mm 0.10
26	0.065.1218.8		shim + mm 0.15
27	0.087.0060.6/30	4	complete piston - X ROW CROP 100
27	0.338.0060.6/20	4	complete piston - X ROW CROP 90
27	0.381.0060.6	4	complete piston - X ROW CROP 90 - EXPORT U.S.A.
27	0.382.0060.6	4	complete piston - X ROW CROP 100 - EXPORT U.S.A.
28	0.338.0052.6/10	4	piston ring set
29	2.1411.014.1	8	circlip 35
30	0.078.1236.0	4	piston pin Ø 18 / Ø 35 / L = mm 86
31	2.1720.006.0	1	key 4x6.5
32	0.008.5543.0	1	flange -> 1358 X ROW CROP 90 - X ROW CROP 100
32	0.255.2525.0/10	1	flange 1357 <- X ROW CROP 90
34	2.1652.915.0	1	cylindrical plug 12x35

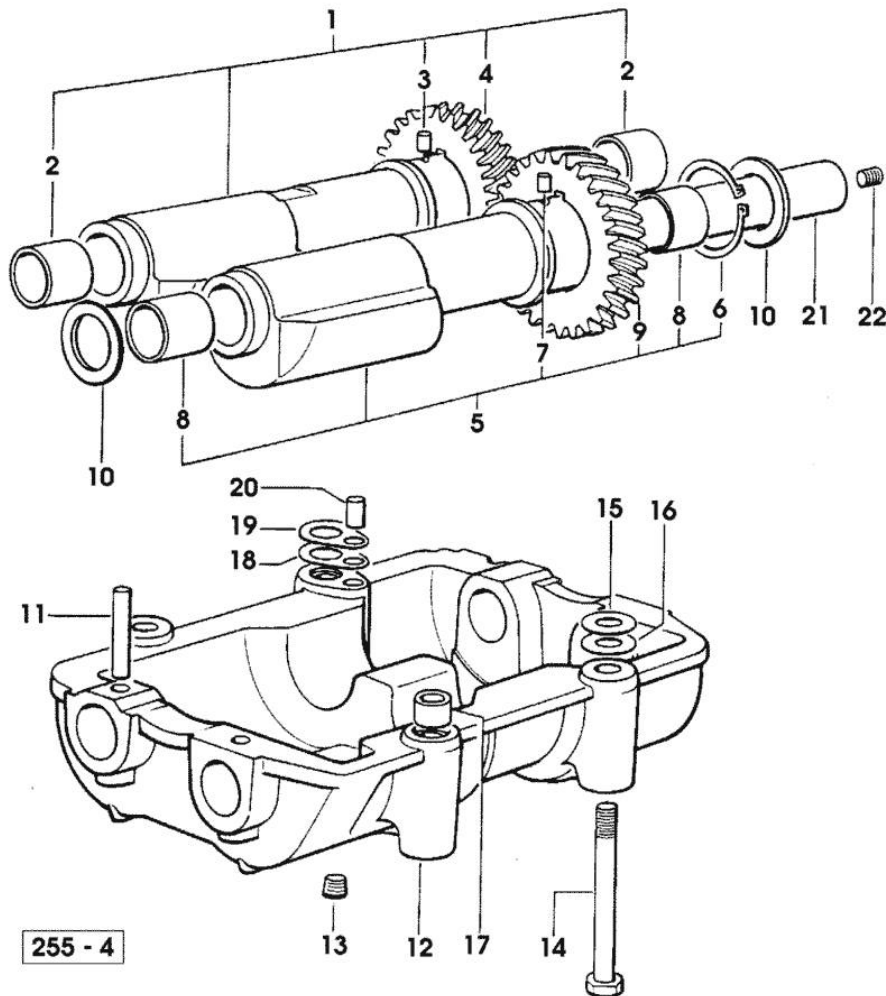
Section: ENGINE

COUNTERWEIGHTS

Fig.	P/n	QTY	Name
------	-----	-----	------

Notes:
[ROW CROP 90]

1	0.086.1233.3/30	1	mass sx/lh/li
2	2.1559.115.0	2	special bushing 26x30x30
3	2.1652.302.0	1	roll pin 4x6
4	0.000.0000.1		cannot be supplied
5	0.065.1233.3/30	1	mass dx/rh/re
6	2.1410.018.1	1	circlip 45
7	2.1652.302.0	1	roll pin 4x6
8	2.1559.115.0	2	special bushing 26x30x30
9	0.000.0000.1		cannot be supplied
10	2.1589.185.0	4	shoulder ring 26.1x34x1
11	2.1631.717.0	2	roll pin 8 x 40
12	0.086.1231.0/10	1	box
13	2.3130.001.1	4	plug 1/8" gas
14	2.0139.028.2	4	screw m 12
15	2.1579.628.0	2	spacer 16.5x26x0.1
15	2.1589.048.0	2	shoulder ring 16.5x26x0.3
16	2.1579.629.0	2	spacer 12.5x26x0.1
16	2.1589.049.0	2	shoulder ring 12.5x26x0.3
17	2.1579.626.0	2	spacer 13.2x16x11
18	2.1589.139.0	2	shoulder ring mm 0.3
19	2.1589.140.0	2	shoulder ring mm 0.1
20	2.1699.191.0	1	bush 7x10x16
21	0.065.1234.0/10	2	shaft
22	2.3130.001.1	1	plug 1/8" gas



Section: ENGINE

CAMSHAFT

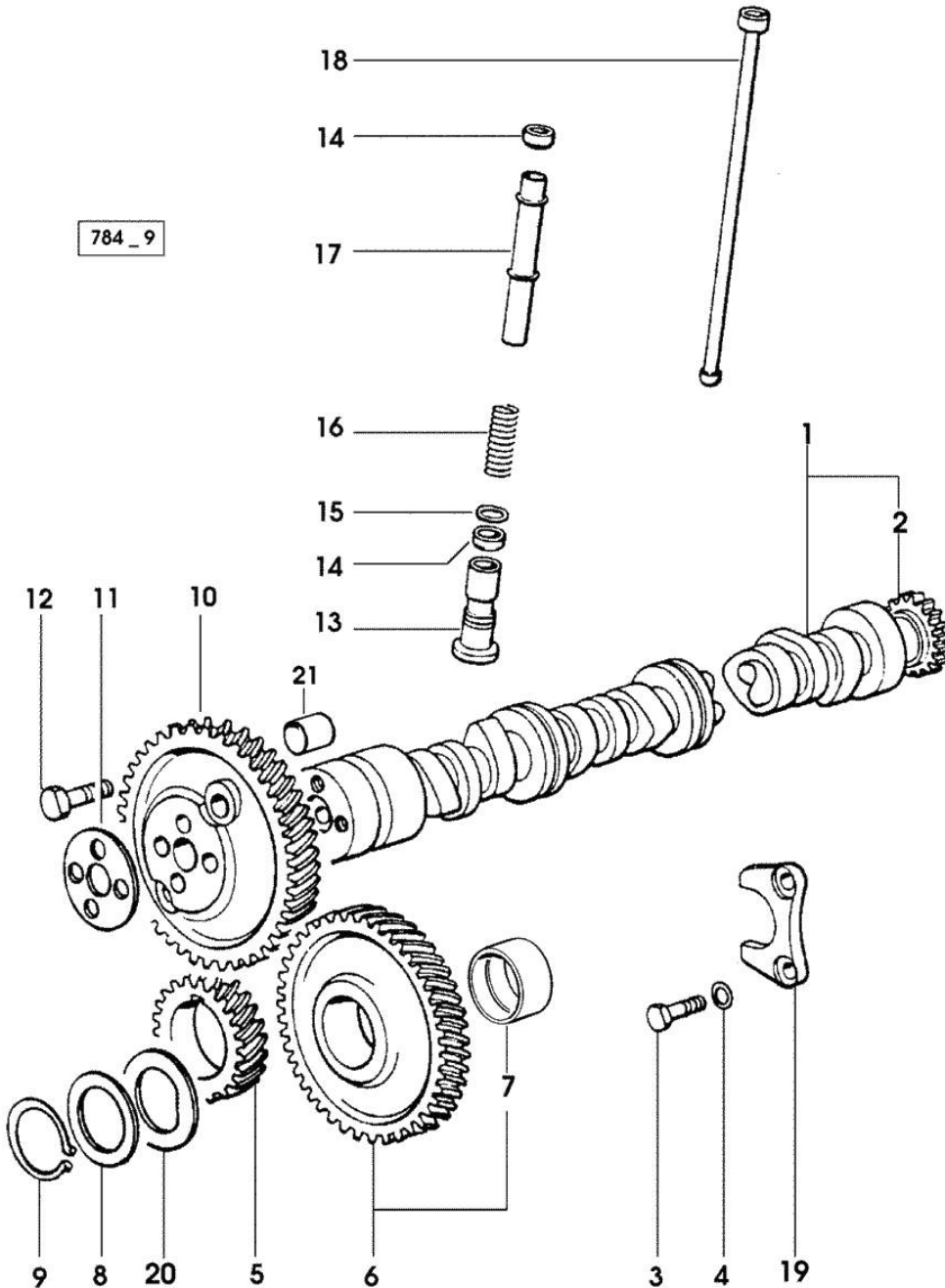


Fig.	P/n	QTY	Name
------	-----	-----	------

Notes:
[ROW CROP 90]

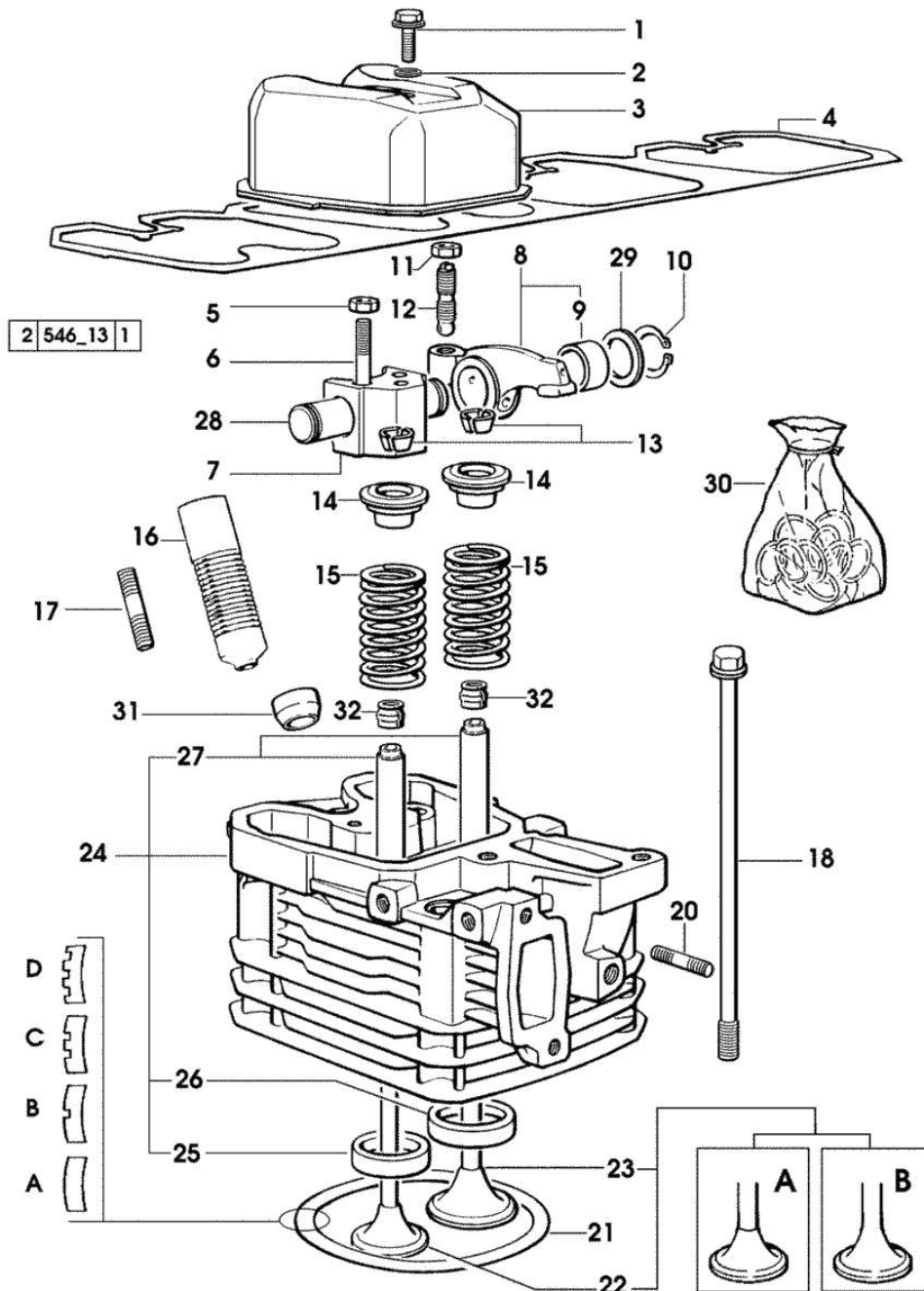
1	0.007.1712.3/10	1	camshaft - EXPORT U.S.A.
1	0.066.1310.3/40	1	camshaft
2	0.065.1324.0/10	1	gear Z = 32
3	2.0312.206.2	2	screw m 8 p 1.25 x 20
4	2.1480.014.1	2	washer 8
5	0.065.1323.0/30	1	gear Z = 29
6	0.007.1177.3/10	1	gear z = 57 - WITH RED IDENTIFICATION STAMP
6	0.007.1178.3/10	1	gear z = 57 - WITH YELLOW IDENTIFICATION STAMP
6	0.007.1179.3/10	1	gear z = 57 - WITH GREEN IDENTIFICATION STAMP
7	2.1559.185.0/10	1	bushing
8	0.065.1352.0	1	shim
9	2.1410.016.1	1	circlip 40
10	0.065.1354.0/20	1	gear z=58
11	0.065.1350.0	1	small disc
12	2.0132.207.2	4	screw m 10 p.1 x 25
13	0.065.1330.0	8	tappets
14	2.1569.114.0/10	16	gasket 14x18.5x8
15	2.1599.437.0	8	shoulder ring
16	2.4019.300.1/10	8	spring 18.5x52x2
17	0.065.1332.0	8	sleeve
18	0.065.1331.2	8	rod
19	0.065.1353.0	1	small plate
20	0.065.1351.0	2	shoulder ring
21	2.1559.398.0	1	bushing 10.5x13x12

Section: ENGINE
CYLINDER HEAD

Fig.	P/n	QTY	Name
------	-----	-----	------

Notes:
[ROW CROP 90]

1	2.0399.130.2	4	screw m 8 x 30 11244 <=
1	2.0399.130.2/10	4	screw m 8x36x44 => 11245
2	2.1569.170.0/10	4	gasket 8.2 x 14
3	0.007.1139.0/10	4	small cap * 11244 <= - N.1 - 2.0399.130.2/10
4	0.065.1450.0/30	1	tappet gasket
5	2.1011.321.2	8	nut m 10 p.1.25
6	2.0432.163.7	8	stud bolt m 10 p.1.5 / p.1.25 x 45
7	0.066.1430.0/10	8	support
8	0.066.1432.3	8	rocker arm
9	2.1559.021.0/40	8	bushing 15x19x22
10	2.1410.055.1	8	circlip 19
11	2.1011.405.2	8	nut m 8 p.1
12	0.021.1434.0	8	screw
13	0.074.1423.0	16	conical valve cotter
14	0.066.1425.0	8	cup
15	2.4019.287.0	8	spring
16	0.065.1413.0/10	4	bush L = mm 97.1 7148 <=
17	2.0432.161.7	4	stud bolt m 10 p.1.5 / p.1.25 x 40
18	0.065.1443.0/20	16	screw
20	2.0432.007.2	8	stud bolt m 8 p.1.25 / p.1 x 30
21	0.085.1450.0	3	head gasket mm 0.5 -A-
21	0.085.1451.0	4	head gasket mm 0.7 -B-
21	0.085.1452.0	4	head gasket mm 1.0 -C-
21	0.085.1453.0	4	head gasket mm 0.8 -D-
22	0.010.6022.0	4	exhaust valve mm 39.1 / Ø mm 9 -> (...) = B
22	0.066.1421.0	4	exhaust valve (...) <= A
23	0.010.6017.0	4	inlet valve mm 43.63 / Ø mm 9 -> (...) = B
23	0.081.1420.0	4	inlet valve Ø mm 9 (...) <= A
24	0.007.1110.3/50	4	engine head * 7148 <= - N.1 - 007.1122.0/10 (...) <= A





Suggest:

For more complete manuals. Please go to the home page.

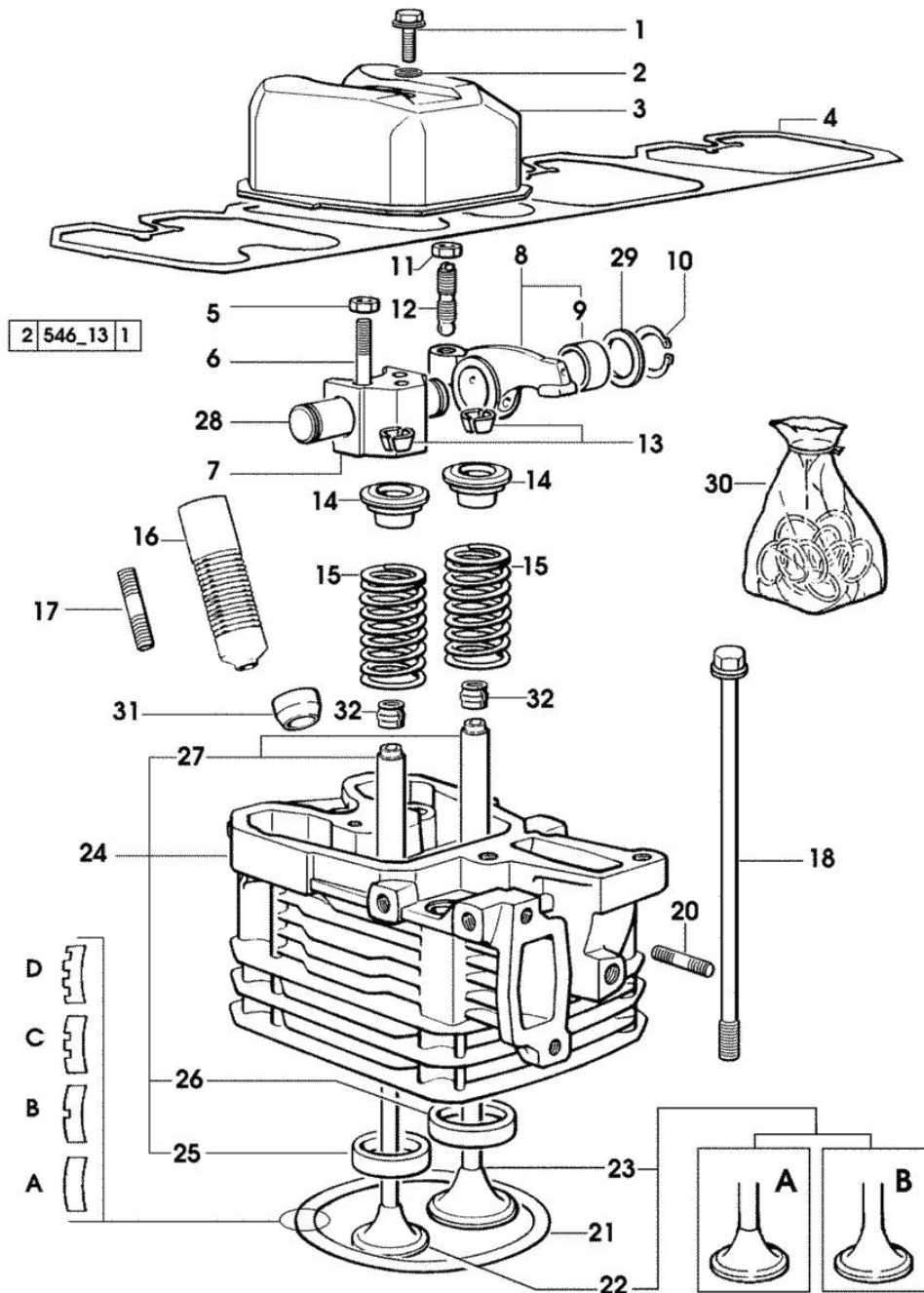
<https://www.ebooklibonline.com>

If the above button click is invalid. Please download this document first, and then click the above link to download the complete manual.

Thank you so much for reading

Section: ENGINE
CYLINDER HEAD

Fig.	P/n	QTY	Name
24	0.007.1359.3/50	4	engine head -> (...) = B
25	0.066.1427.0	4	valve seat
26	0.078.1426.0	4	valve seat
27	0.007.1779.0/10	8	valve guide
28	0.066.1431.0	4	pin
29	2.1599.432.0	8	shoulder ring
30	0.085.0057.6	4	gasket set - FOR 1 CYLINDER VALVE GRINDING AND PISTON RINGS REPLACEMEN
31	0.007.1122.0/10	4	bush L = mm 6.4 => 7149
32	2.1519.117.0	8	special oil seal



Section: ENGINE
LUBRICATION

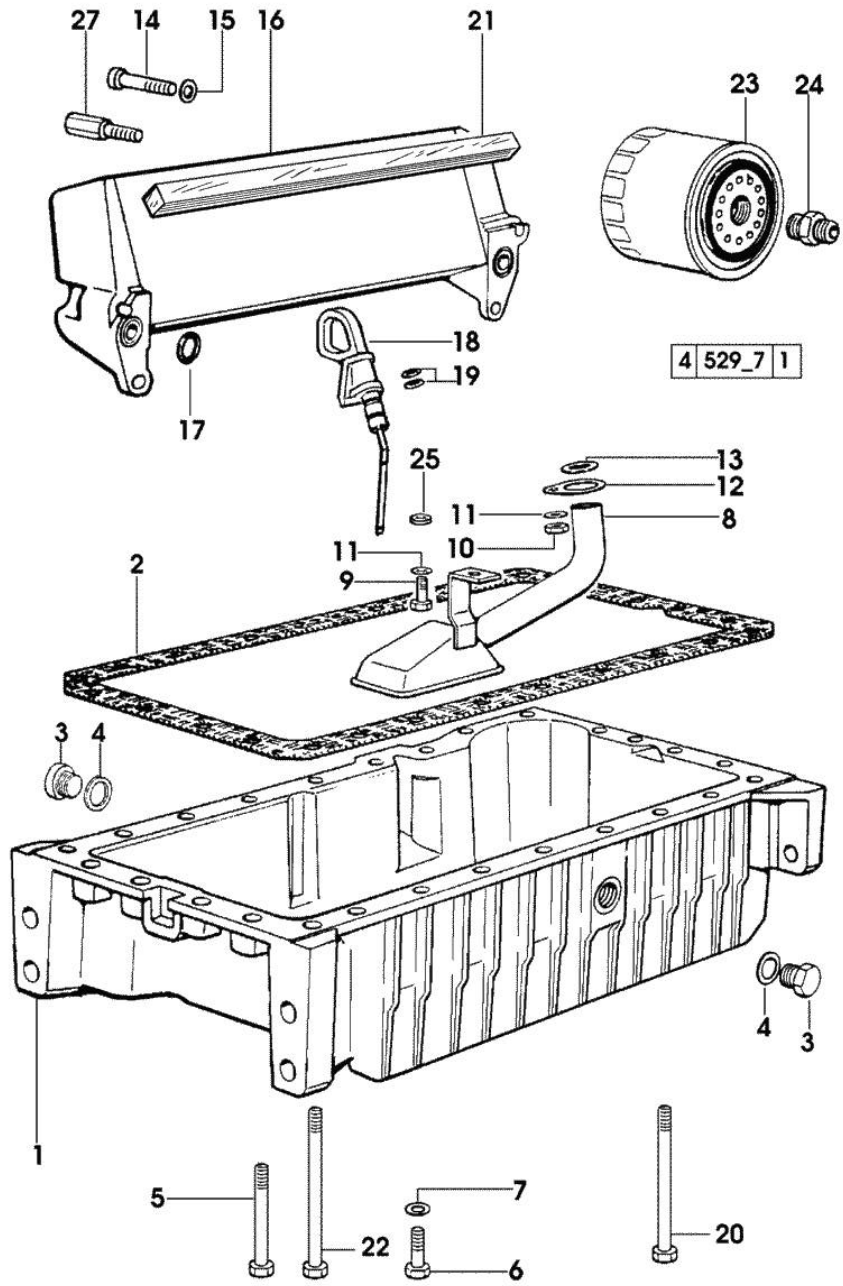


Fig.	P/n	QTY	Name
------	-----	-----	------

Notes:
[ROW CROP 90]

1	0.007.1277.0/40	1	oil sump
2	0.065.1550.0/10	1	gasket
3	2.3199.001.2	2	plug 1/2" gas
4	2.1560.054.0	2	gasket 21 x 26
5	2.0112.226.2	4	screw m 8 p.1.25 x 85
6	2.0112.215.2	17	screw m 8 p.1.25 x 40
7	2.1470.004.2	26	lock washer 8
8	0.065.1531.3/20	1	tube
9	2.0112.209.2	1	screw m 8 p 1.25 x 25
10	2.1011.105.2	1	nut m 8 p.1.25
11	2.1470.004.2	2	lock washer 8
12	0.065.1538.0	1	flange
13	2.1539.040.0	1	special oil seal 21.82 x 3.53
14	2.0312.216.2	2	screw m 8 p.1.25x50 - X ROW CROP 90
15	2.1310.004.2	2	flat washer 8.4x17 - X ROW CROP 90
16	0.007.7320.3	1	oil cooler - X ROW CROP 90
17	2.1539.048.0	2	special oil seal 20.35x1.78 - X ROW CROP 90
18	0.086.1513.2/30	1	dipstick
19	2.1539.065.0	2	special oil seal 8.73 x 1.78
20	2.0112.235.2	3	screw m 8 p.1.25 x 130
21	0.052.1856.0	2	gasket - X ROW CROP 90
22	2.0112.239.2	2	screw m 8 p.1.25 x 150
23	2.4419.340.0	1	oil filter element
24	2.3339.307.0	1	pipe fitting m 22 p.1.5-3/4"
25	2.1579.766.2	1	spacer 8.5x16x10
27	2.0399.125.2/10	2	screw m 8 x 55 - X ROW CROP 90

<https://www.ebooklibonline.com>

Hello dear friend!

Thank you very much for reading.

Enter the link into your browser.

The full manual is available for immediate download.

<https://www.ebooklibonline.com>