

REAR GEARBOX CASE 2093 009 107

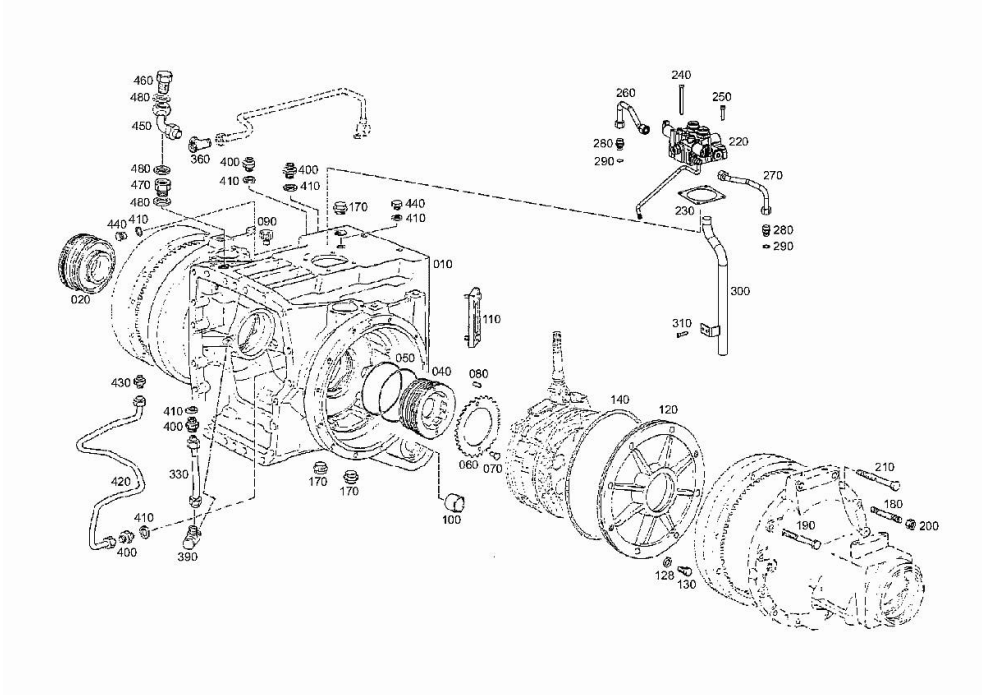
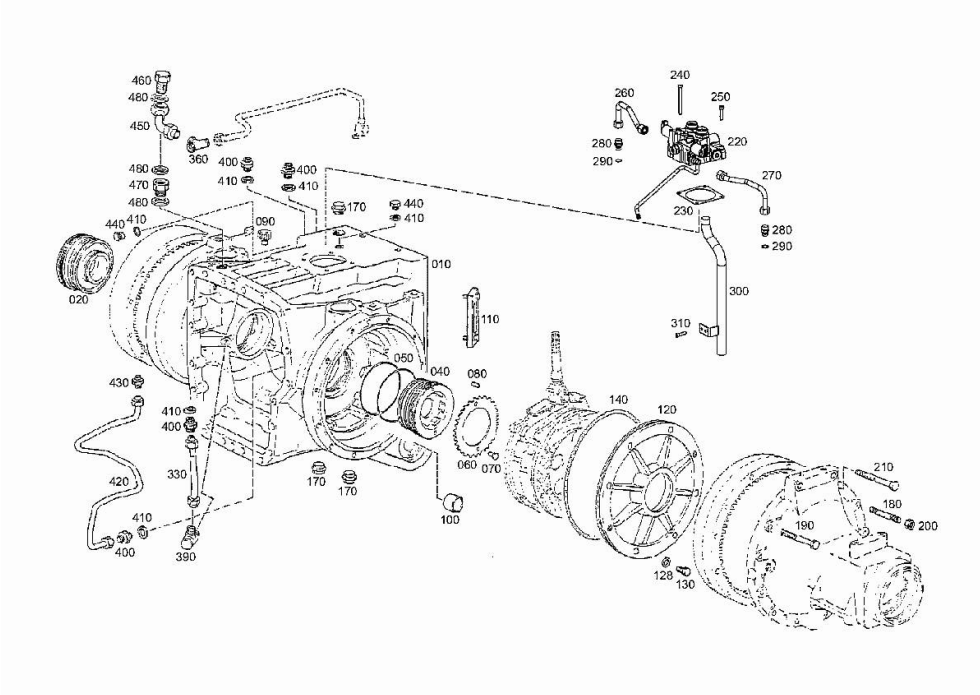


Fig.	P/n	QTY	Name
10	0.900.0045.0	1	box
20	04428944	1	register
40	04428945	1	register
50	0.900.0278.7	2	ring
60	04417449	2	plate
70	04435695	4	screw m 8 x 16
80	04435703	2	pin 5 x 20
90	04417453	1	plug
100	04417451	2	bushing
110	04419731	1	level indicator
120	0.010.2971.2	2	plate (...) <- -> (...)
120	0.900.1239.5	2	cover -> (...)
128	0.900.0277.9	4	washer
130	0.900.0279.7	16	screw m 12 x 40
140	04428220	2	oil seal 305x4
170	0.010.3849.1	3	plug
180	0.010.2972.1	4	screw
190	0.900.0469.2	24	screw m 12x130
200	0.900.0281.4	4	nut m 12
210	0.900.0469.3	4	screw m 12x140
220	0.900.0882.0	1	valve body (...) <- -> (...)
220	0.900.0984.8	1	valve -> (...)
230	0.900.0885.3	1	gasket
240	0.900.0882.4	2	screw m 8x95
250	0.900.0882.1	2	screw m 8 x 40
260	0.900.0883.0	1	tube -> (...)
260	0.900.0954.0	1	gasket (...) <- -> (...)
270	0.900.0883.1	1	tube (...) <- -> (...)
270	0.900.0954.1	1	piping -> (...)
280	0.900.0282.3	2	pipe union
290	0.900.0290.5	2	circlip (...) <- -> (...)
290	0.900.0985.0	2	oil seal 18 x 24 -> (...)
300	0.900.0883.3	1	tube
310	04434509	2	screw m 8 x 30

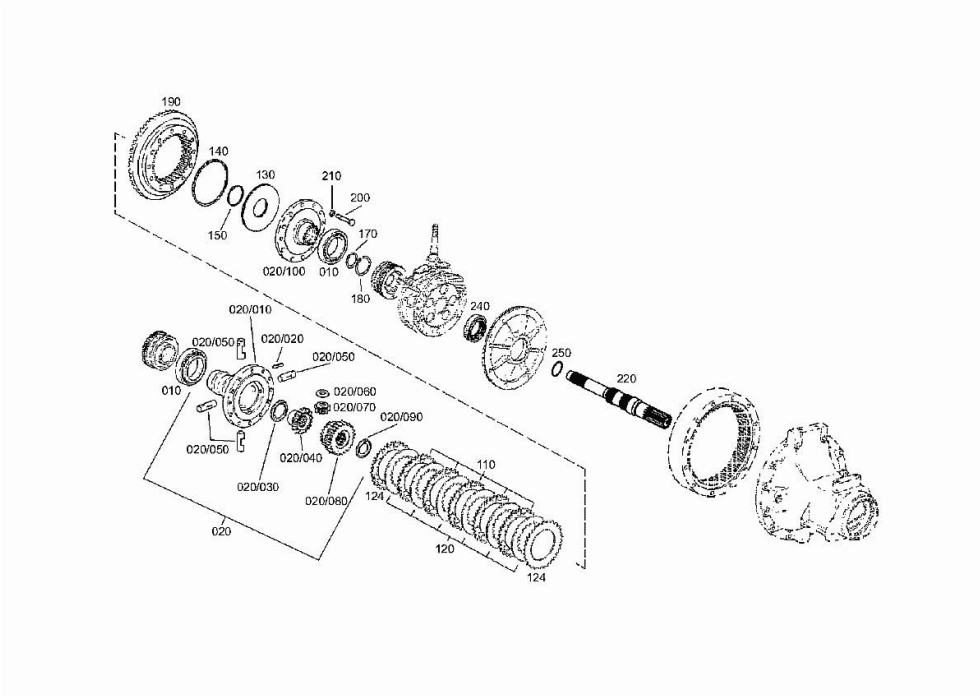
REAR GEARBOX CASE 2093 009 107

Fig.	P/n	QTY	Name
330	0.010.2973.0	1	pipng
360	04435710	1	vent
390	04417707	1	pipe fitting
400	04417466	4	pipe fitting
410	04423731	6	oil seal 14 x 18
420	0.010.2899.2	1	tube
430	04417705	1	vent
440	0.900.0281.0	2	plug m 14 p.1.5
450	0.010.3826.0	1	pipng
460	04415923	1	pipe union 18 DIN 7643
470	0.010.3826.2	1	pipe fitting
480	01118737	3	oil seal 22 x 27



REAR DIFFERENTIAL AND HALF-SHAFTS 2093 009 107

Fig.	P/n	QTY	Name
10	0.010.3580.1	2	roller bearing
20	0.900.1385.5	1	flange
20.10	0.900.0123.5	1	box
20.20	0.010.2888.2	4	pin 8 x 50
20.30	0.900.0498.2	1	slewing ring
20.40	0.010.2942.2	1	crown wheel
20.50	0.010.2890.1	4	pin
20.60	0.010.3845.2	4	slewing ring
20.70	0.010.3846.0	4	planet gear
20.80	0.010.2891.1	1	crown wheel Z = 18
20.90	0.900.0124.3	1	slewing ring
20.100	0.010.2969.2	1	differential carrier
110	0.010.3848.2	5	disc
			(...) <-
110	0.900.1226.8	5	disc Z = 46
			-> (...)
120	0.900.1377.2	6	disc Z = 41
124	0.010.3029.1	2	thin plate
			(...) <-
124	0.900.1377.4	2	disc Z = 46
			-> (...)
130	0.900.0123.6	1	piston
140	0.900.0451.5	1	oil seal
150	0.900.0268.5	1	oil seal 69 x 3
170	0.900.0800.7	1	ring 55 x 2.5
180	0.900.0800.8	1	ring 70 x 3.0
190	0.900.0488.5	1	bevel ring gear z=56
200	0.010.3729.2	12	screw m 12 x 80
210	0.900.0277.9	12	washer
220	0.900.0884.2	2	shaft Z = 16
240	04417316	2	oil seal
250	0.010.2970.1	2	gasket



<https://www.ebooklibonline.com>

Hello dear friend!

Thank you very much for reading.

Enter the link into your browser.

The full manual is available for immediate download.

<https://www.ebooklibonline.com>

P.T.O. - POWER TAKE OFF 2093 009 107

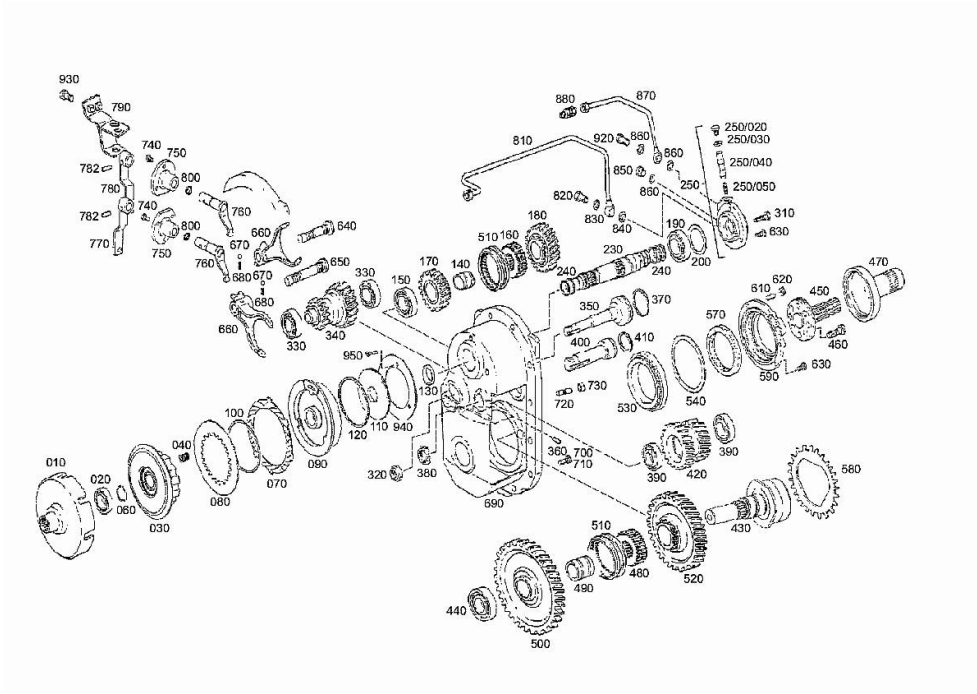


Fig.	P/n	QTY	Name
10	0.900.0124.5	1	clutch housing Z = 46
20	0.900.0469.0	1	ball bearing
30	0.900.0490.4	1	support
40	0.900.0489.9	4	spring
60	0.900.0467.7	1	circlip 34x2.5
70	0.900.0124.7	5	disc Z = 46
			(...) <-
70	0.900.1377.3	5	disc Z = 46
			-> (...)
80	0.900.0125.4	5	clutch plate
			(...) <-
80	0.900.1226.7	5	disc
			-> (...)
90	0.900.0490.5	1	cylinder
			(...) <-
90	0.900.1432.2	1	cylinder
			-> (...)
100	0.900.1431.4	5	spring
			-> (...)
100	04417635	5	spring
			(...) <-
110	0.900.0490.0	1	piston
120	0.900.0468.4	1	oil seal 120x3
130	0.900.0490.1	1	shim
140	04417639	1	special bushing
150	0.010.3602.0	1	roller bearing
			(...) <-
150	0.900.1385.1	1	bearing
			-> (...)
160	04417680	1	support
170	0.900.0885.4	1	gear
			(...) <-
170	0.900.1432.3	1	gear wheel
			-> (...)
180	0.900.1432.4	1	gear wheel
			-> (...)
180	04436292	1	gear Z = 35
			(...) <-
190	0.900.0279.2	1	roller bearing
			(...) <-
190	0.900.1385.0	1	bearing
			-> (...)
200	0.900.1380.1	1	washer
200	04417360	1	shim s = 0.10

P.T.O. - POWER TAKE OFF 2093 009 107

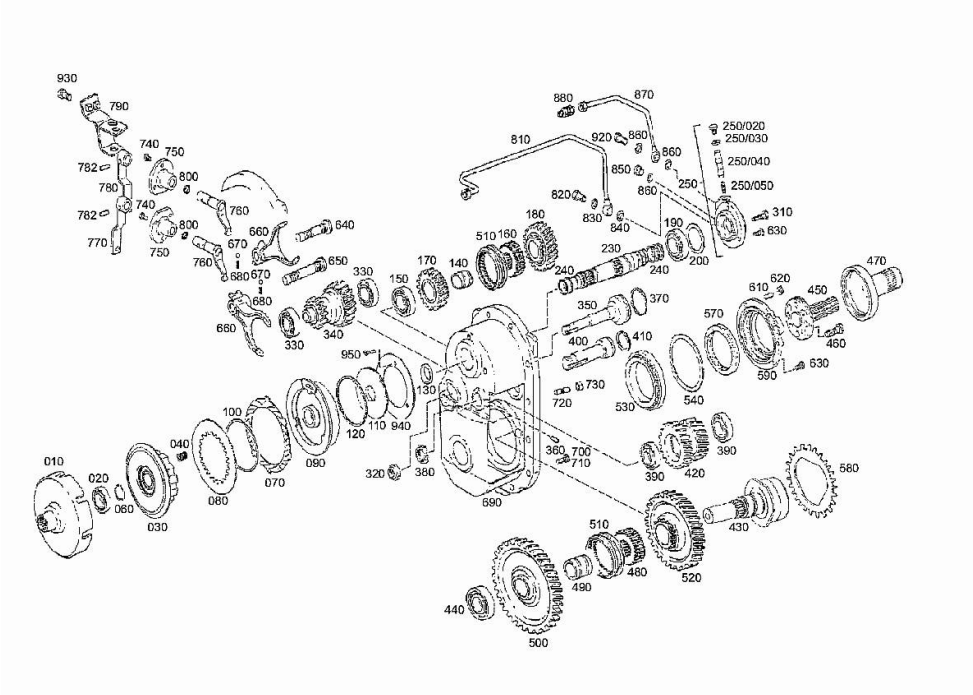


Fig.	P/n	QTY	Name
200	04417361	1	shim s = 0.15
200	04417362	1	shim s = 0.40
230	0.900.0489.8	1	shaft z=18 (...) <-
230	0.900.1431.8	1	shaft z=18 -> (...)
240	04423359	5	ring
250	0.900.0489.7	1	cover (...) <-
250	0.900.1431.7	1	cover -> (...)
250.20	0.010.2906.0	1	plug m 16 p.1.5
250.30	04436331	1	oil seal 16 x 20
250.40	0.900.1386.4	1	piston -> (...)
250.40	04424374	1	piston (...) <-
250.50	0.900.1384.9	1	spring -> (...)
250.50	04417367	1	spring (...) <-
310	0.900.0280.0	1	screw m 8 x 45
320	0.900.0124.8	1	ring nut
330	04431639	2	bearing -> (...)
330	04436234	2	roller bearing (...) <-
340	0.900.0451.9	1	gear z=19 z=30
350	04417652	1	pin
360	04433234	2	roll pin 6x20
370	0.900.0468.3	1	oil seal 57x2
380	04424372	1	ring nut
390	04431639	2	bearing -> (...)
390	04436234	2	roller bearing (...) <-
400	04417656	1	pin
410	0.900.0468.6	1	oil seal 40x3
420	0.900.0885.5	1	gear (...) <-
420	0.900.1432.5	1	gear wheel -> (...)
430	0.900.0802.5	1	shaft Z = 18
440	0.900.0279.2	1	roller bearing

P.T.O. - POWER TAKE OFF 2093 009 107

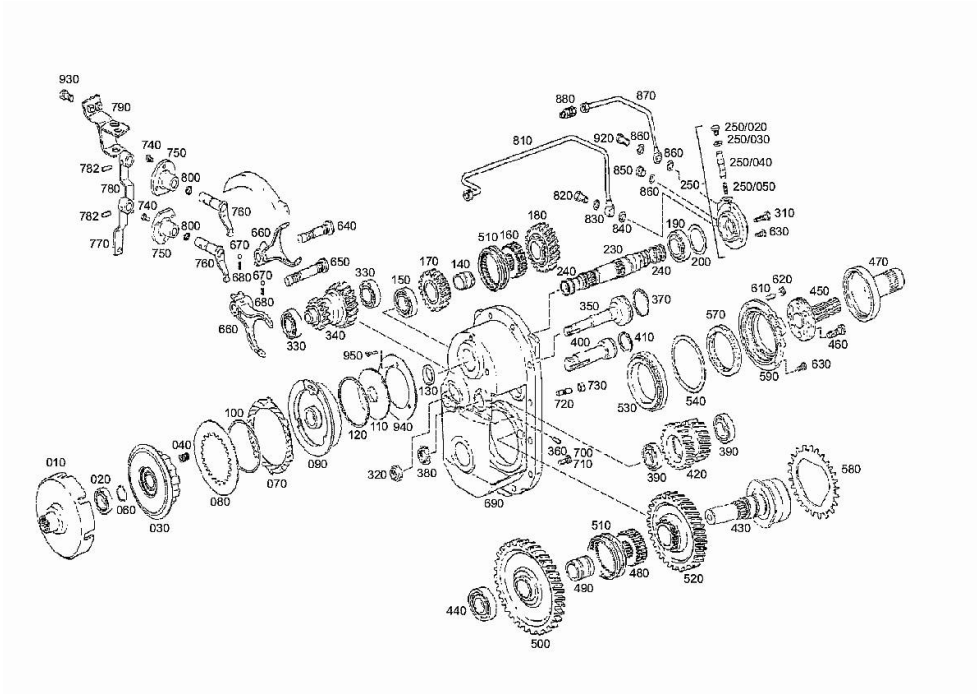


Fig.	P/n	QTY	Name
			(...) <-
440	0.900.1385.0	1	bearing
			-> (...)
450	04417388	1	shaft
460	0.010.3293.0	8	screw m 12 x 50
470	04417440	1	guard
480	04417680	1	support
490	04417681	1	special bushing
500	0.900.0884.4	1	gear z=66
510	04431727	2	sleeve
520	0.900.0877.3	1	gear z=56
530	0.900.0282.9	1	roller bearing
540	0.900.1380.2	1	shim
540	04417391	1	shim s = 0.10
540	04417392	1	shim s = 0.15
540	04417393	1	shim s = 0.40
570	04417395	1	oil seal 94x118x12
580	0.900.1432.0	1	gear
			-> (...)
580	04439236	1	gear
			(...) <-
590	04417438	1	cover
610	0.900.0281.3	4	stud bolt m 8 x 35
620	0.900.0281.5	4	nut m 8
630	0.900.0291.0	4	screw
			(...) <-
630	04434498	4	screw m 8 x 25
			-> (...)
640	0.900.1432.6	1	rod
			-> (...)
640	04428570	1	rod
			(...) <-
650	0.900.1432.7	1	rod
			-> (...)
650	04428571	1	rod
			(...) <-
652	0.900.1377.9		adhesive
660	0.010.3848.1	2	fork
670	04415909	2	ball
680	04417378	2	spring
690	0.900.0490.3	1	box
700	0.010.2893.2	1	screw m 10 x 40
710	0.900.0307.8	9	screw m10x35
720	0.900.0281.2	2	stud bolt m 10 x 45

P.T.O. - POWER TAKE OFF 2093 009 107

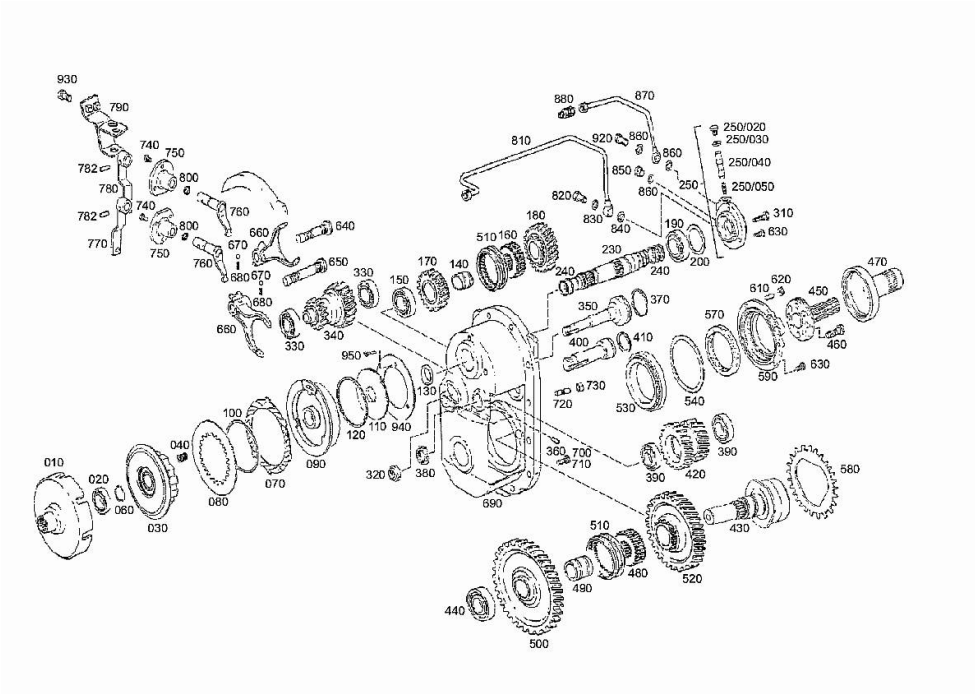


Fig.	P/n	QTY	Name
			-> (...)
730	0.010.3358.0	2	nut m 10
			-> (...)
740	04435695	6	screw m 8 x 16
750	04417692	2	bearing
760	04417693	2	pin
770	0.900.0122.9	1	lever
780	04413418	1	lever
782	0.010.2894.1	2	pin 8 x 30
790	04439216	1	bracket
800	0.900.0278.8	2	oil seal
810	0.010.2894.2	1	pipng
820	04427560	1	pipe union
830	04436331	1	oil seal 16 x 20
840	0.010.2895.0	1	gasket 14x20
850	0.900.0281.0	2	plug m 14 p.1.5
			-> (...)
850	0.900.0470.0	2	plug m 14 p.1.5
			(...) <-
860	04423731	3	oil seal 14 x 18
870	0.900.1363.2	1	tube
			-> (...)
870	04439238	1	tube
			(...) <-
880	04417466	1	pipe fitting
890	04439224	1	accumulator
			(...) <-
910	04417783	1	pipe fitting
			(...) <-
920	0.900.0282.1	1	pipe union
930	0.900.0291.0	2	screw
			(...) <-
930	04434498	2	screw m 8 x 25
			-> (...)
940	0.900.0490.2	1	disc
950	0.900.0469.9	3	screw m 8 p.1.25 x 20
980	0.010.3848.0	1	elbow
			(...) <-

BRAKE CONTROLS 2093 009 107

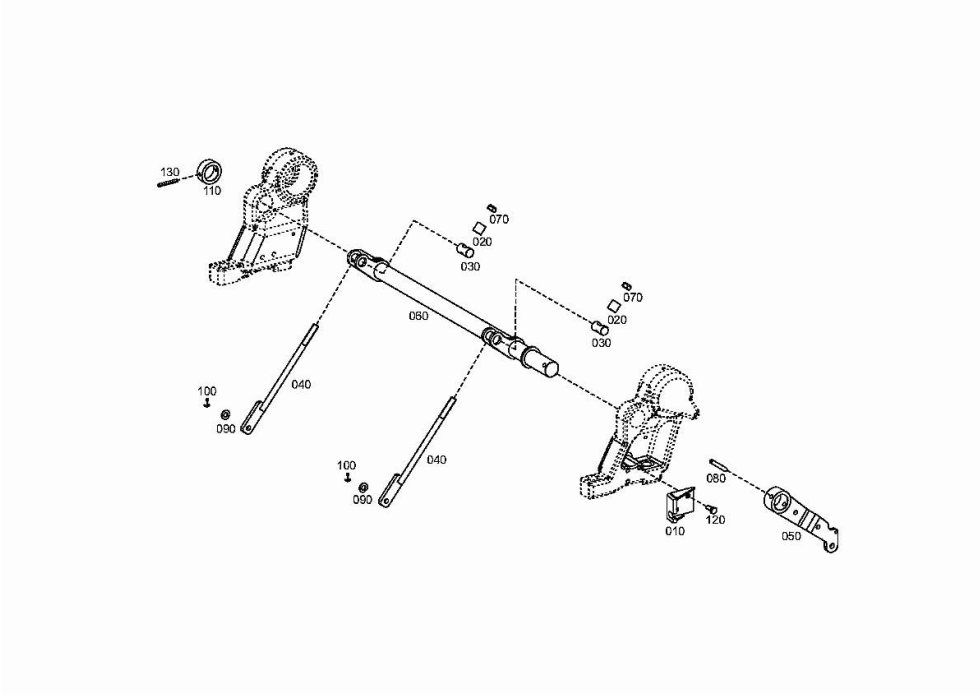
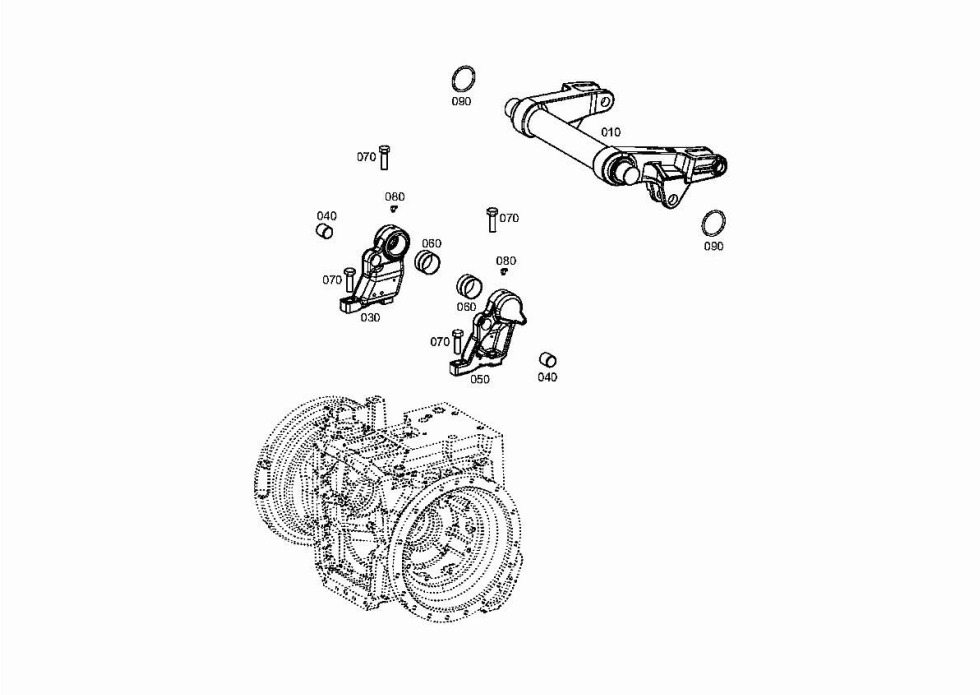


Fig.	P/n	QTY	Name
10	0.010.2901.2	1	support (...)<-
10	0.900.1239.7	1	bracket ->(...)
20	0.010.2902.0	2	bushing (...)<-
20	0.900.1239.8	2	tube ->(...)
30	0.010.2902.1	2	pin (...)<-
30	0.900.1239.9	2	pin ->(...)
40	0.010.2902.2	2	connecting rod (...)<-
40	0.900.1240.0	2	rod ->(...)
50	0.900.0466.8	1	brake lever (...)<-
50	0.900.1240.1	1	lever ->(...)
60	0.010.2903.1	1	shaft (...)<-
60	0.900.1240.2	1	shaft ->(...)
70	0.900.0281.9	2	nut m 12
80	0.010.3459.1	1	roll pin
90	0.900.0466.9	2	washer
100	0.900.0468.1	2	split pin 3.2x18
110	0.010.2904.2	1	ring (...)<-
110	0.900.1240.3	1	spacer ->(...)
120	0.900.0469.4	3	screw m 8 p.1.25 x 20
130	0.010.2901.1	1	pin 6x50

LIFTING 2093 009 107

Fig.	P/n	QTY	Name
10	0.900.0883.4	1	shaft
30	0.900.0802.9	1	bearing block dx/rh/re (...) <-
30	0.900.1407.9	1	bearing block dx/rh/re -> (...)
40	0.010.3844.1	2	bearing (...) <-
40	0.900.1431.3	2	bearing -> (...)
50	0.900.0803.0	1	bearing block sx/lh/li (...) <-
50	0.900.1408.0	1	bearing block sx/lh/li -> (...)
60	04417549	2	special bushing
70	0.900.0469.1	4	screw m 20x65
80	04427636	2	grease gun m 8 p.1 x 8
90	04417552	2	ring 78.5x6



DRIVE FOR GEAR CHANGE BOX 2093 009 107

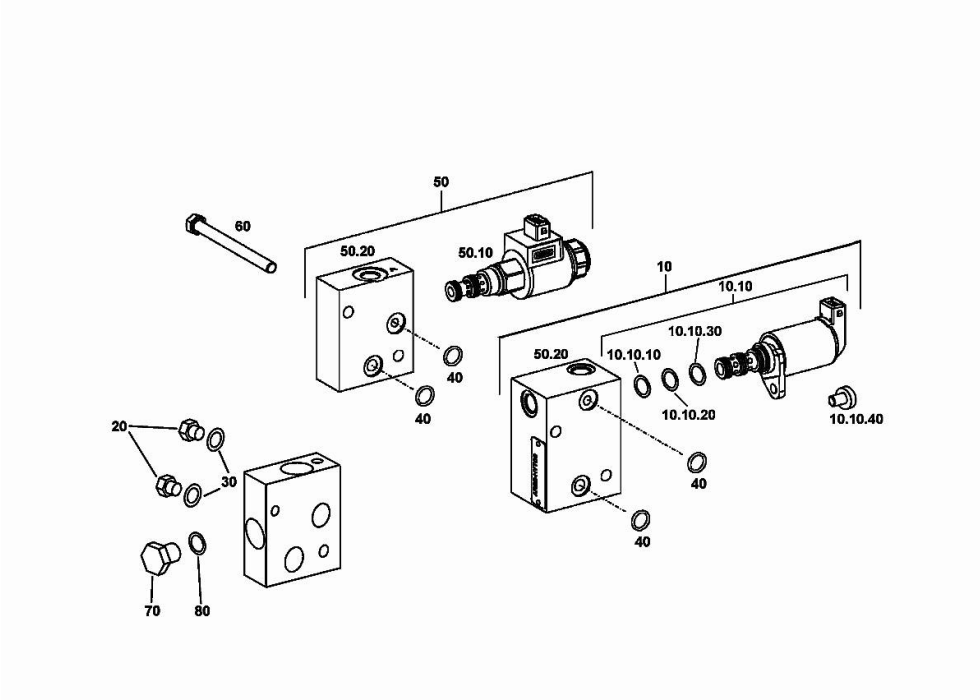


Fig.	P/n	QTY	Name
10	0.900.0952.1	1	control -> (...)
10	04423824	1	spool valve (...) <-
10.10	0.900.0952.8	1	solenoid valve DV -> (...)
10.10.10	0.900.1377.5	1	gasket 12,4 x 1,78 -> (...)
10.10.20	0.900.1377.6	1	gasket 13 x 1.5 -> (...)
10.10.30	0.900.1377.7	1	gasket 14x1.78 -> (...)
10.10.40	0.900.1377.8	1	screw m 8 x 16 -> (...)
20	04434512	2	plug m 10 p.1 (...) <-
30	0.900.0290.7	2	circlip (...) <-
40	0.900.0801.4	4	ring 11,3 x 2,4 NBR-70-10 (...) <-
50	0.010.2628.2	1	control (...) <-
50	0.900.1363.3	1	small block -> (...)
50.10	0.900.1384.6	1	solenoid valve -> (...)
60	0.900.0279.5	2	screw (...) <-
60	0.900.1363.4	2	screw -> (...)
70	0.900.0281.0	1	plug m 14 p.1.5 (...) <-
80	04423731	1	oil seal 14 x 18 (...) <-

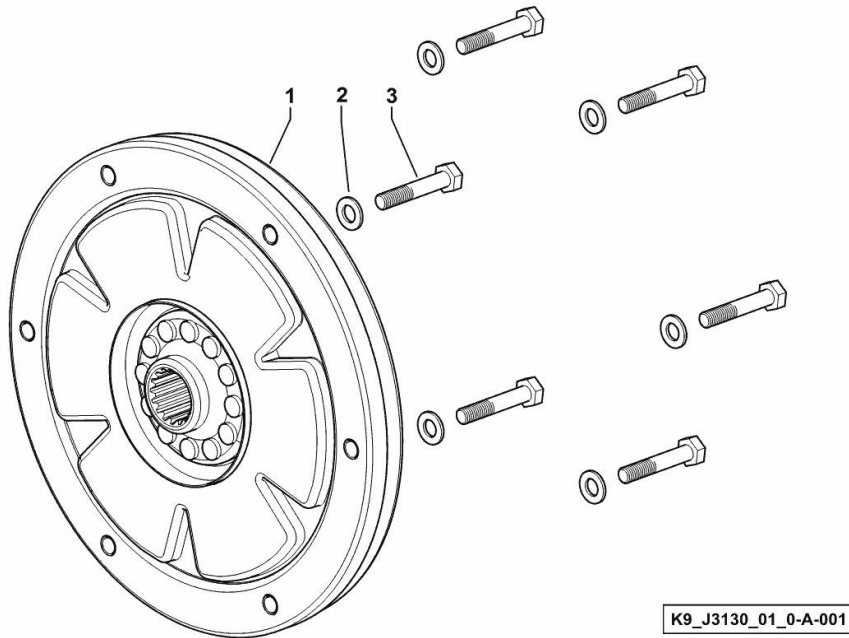
FLEXIBLE COUPLINGS

Fig.	P/n	QTY	Name
------	-----	-----	------

Notes:

[IRON 185 DCR -> 20001]

1	0.015.4319.4	1	vibration damper
2	2.1475.003.2	6	washer 10
3	2.0113.320.7	6	screw m 10 p.1.5 x 55



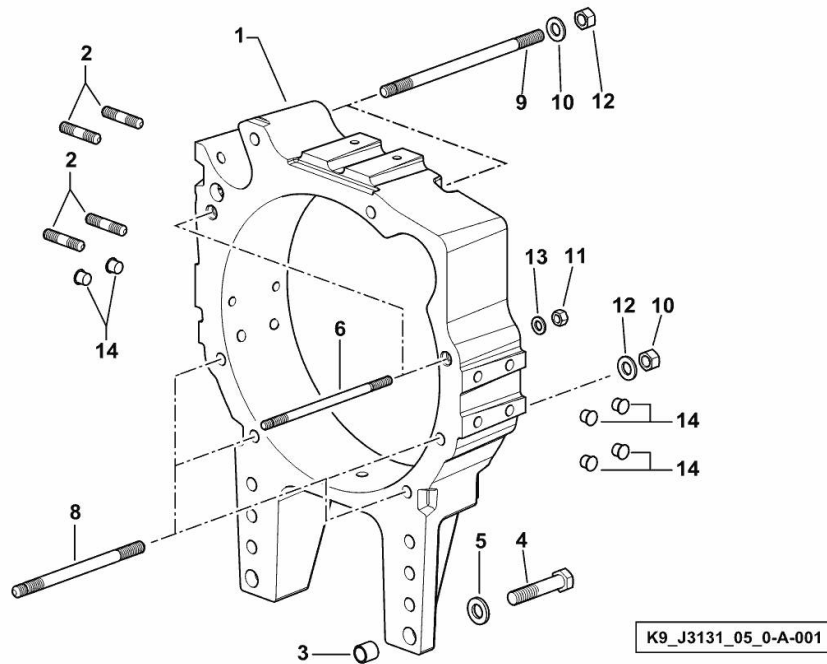
SEPARATOR

Fig.	P/n	QTY	Name
------	-----	-----	------

Notes:

[IRON 185 DCR -> 20001]

1	0.015.0622.0/30	1	spacer
2	2.0433.315.7	4	stud bolt m 14 p.1.5 x 50
3	0.013.2899.0	2	bushing 19x24x23
4	2.0114.725.2	8	screw m 18 p.2.5x80
5	2.1475.107.7	8	washer 18x36
6	2.0422.436.7	2	stud bolt m 12 p.1.75x220
8	2.0439.296.7/10	4	stud bolt m 16 p.2-1.5x242
9	2.0439.297.7/10	2	stud bolt
10	2.1011.109.2	6	nut m 16 p.2
11	2.1011.107.2	2	nut m 12 p.1.75
12	2.1475.106.7	6	washer 17x32
13	2.1475.104.7	2	washer 13 x 24
14	01167317	6	plug 14.5X11.5X21





Suggest:

For more complete manuals. Please go to the home page.

<https://www.ebooklibonline.com>

If the above button click is invalid. Please download this document first, and then click the above link to download the complete manual.

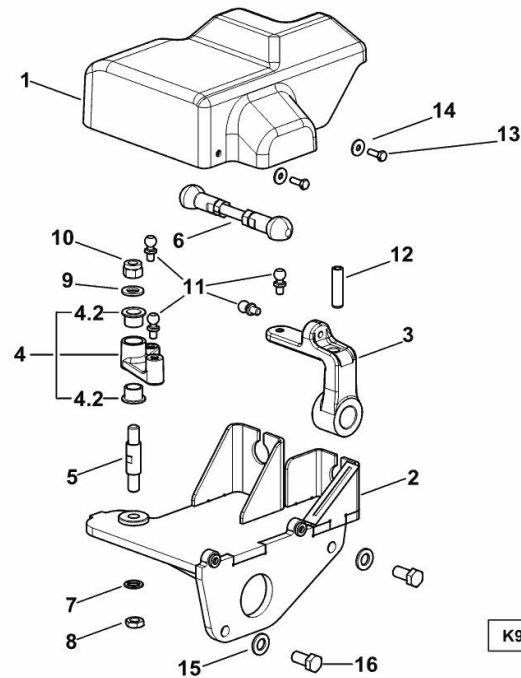
Thank you so much for reading

GEAR SHIFTING

Fig.	P/n	QTY	Name
------	-----	-----	------

Notes:

[IRON 185 DCR -> 20001] 20021 <-



1	0.016.3928.0/10	1	cover
2	0.016.5459.2/20	1	support
3	0.016.3972.0/20	1	lever
4	0.016.3962.4	1	lever
4.2	2.1559.276.0/10	2	special bushing 16x20x15
5	0.016.2711.0/10	1	pin
6	0.016.3969.4/10	1	rod
7	2.1474.011.2	1	spring washer 12
8	2.1011.107.2	1	nut m 12 p.1.75
9	2.1310.007.2	1	flat washer 13 x 24
10	2.1120.007.2	1	self-locking nut m 12 p.1.75
11	0.014.1947.0	4	small pin
12	2.1630.916.2	1	pin 12x45
13	2.0112.006.2	2	screw m 6 p.1 x 18
14	2.1312.003.2	2	washer 6
15	2.1475.104.6	2	screw 13 x 24
16	2.0114.409.2	2	screw m 12 x 25

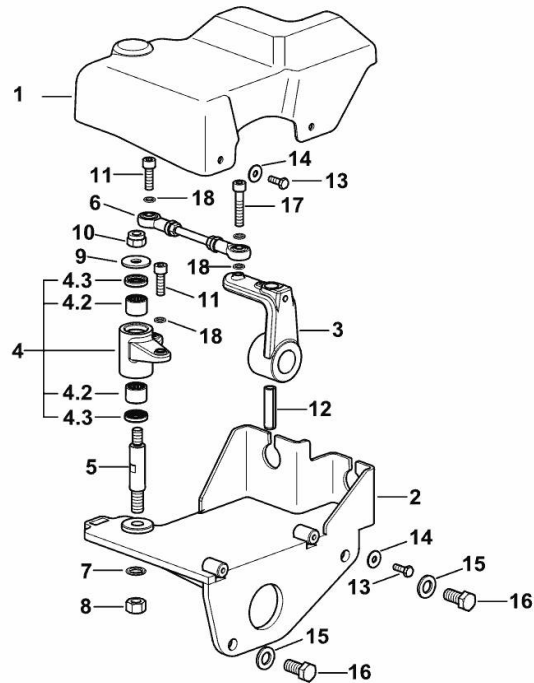
GEAR SHIFTING

Fig.	P/n	QTY	Name
------	-----	-----	------

Notes:

[IRON 185 DCR -> 20001]

1	0.019.4943.0	1	cover
2	0.016.5459.2/20	1	support
3	0.019.5033.0	1	lever
4	0.019.5053.4	1	lever
4.2	2.2725.020.0	2	roller cage 16x22x16
4.3	2.1519.078.0	2	special oil seal 16 x 24 x 6
5	0.016.2711.0/20	1	pin
6	0.019.4543.4	1	stay
7	2.1474.011.2	1	spring washer 12
8	2.1011.107.2	1	nut m 12 p.1.75
9	2.1312.005.2	1	washer 10.2
10	2.1120.006.2	1	nut m 10 p.1.5
11	2.0312.208.2	2	screw m 8 p.1.25 x 25
12	2.1630.916.2	1	pin 12x45
13	2.0112.006.2	2	screw m 6 p.1 x 18
14	2.1312.003.2	2	washer 6
15	2.1475.104.6	2	screw 13 x 24
16	2.0114.409.2	2	screw m 12 x 25
17	2.0312.214.2	1	screw m 8 p.1.25 x 40
18	2.1549.780.2	4	washer



K9_J3164_04_0-A-002

<https://www.ebooklibonline.com>

Hello dear friend!

Thank you very much for reading.

Enter the link into your browser.

The full manual is available for immediate download.

<https://www.ebooklibonline.com>