

CONTROL CONSOLE DX/RH/RE

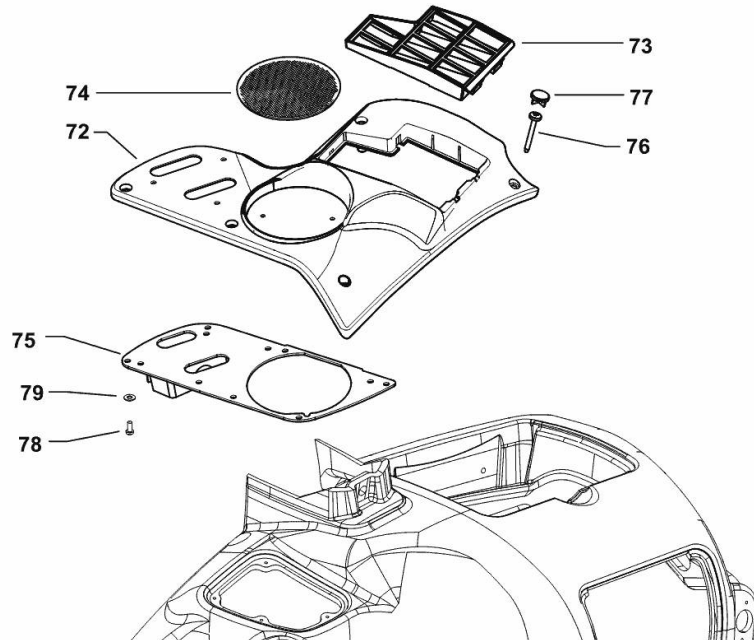
Fig.	P/n	QTY	Name
------	-----	-----	------

Notes:

[IRON 170 CONTINUO DCR] 10041 <-

72	0.013.2592.0/30	1	console RAL 7046
73	0.012.9096.0/20	1	carrier RAL 7046
74	0.015.9401.0/10	1	sound deadening mat RAL 7012
75	0.013.3025.3	1	support
76	2.0350.509.3	5	screw 4.2x32
77	2.3199.307.0/10	3	plug RAL 7046
78	01144999	8	screw 2.9x9.5
79	2.1310.028.2	8	flat washer

K9_J8271_20_0-B-001



IRON 170 CONTINUO DCR

Section: G0 - BODYWORK - CAB

Ref: G0.06.5 (1)

CONTROL CONSOLE DX/RH/RE

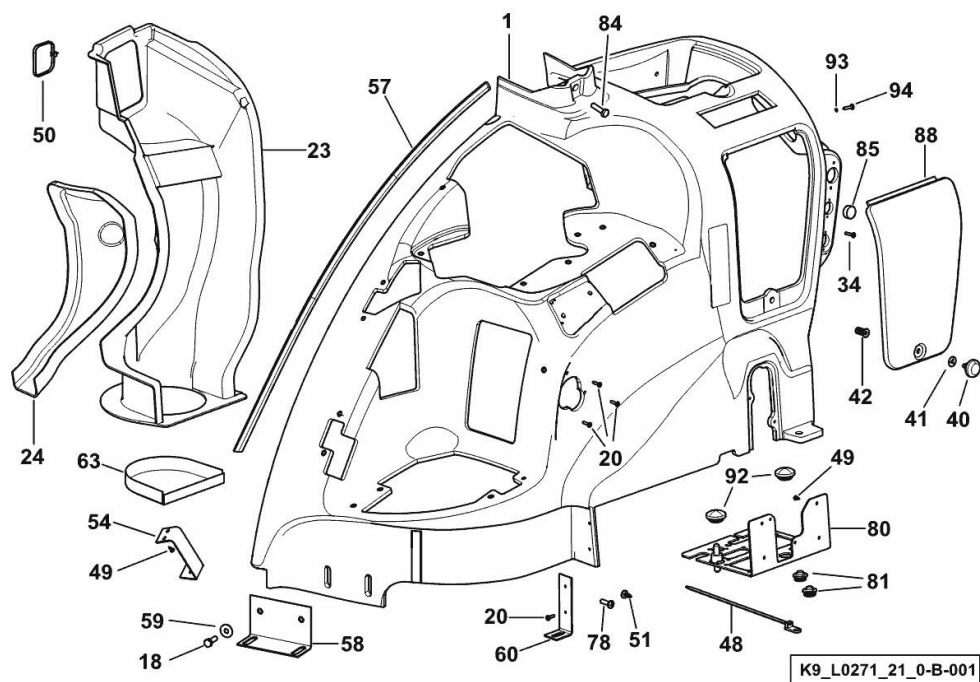


Fig.	P/n	QTY	Name
------	-----	-----	------

Notes:

[IRON 170 CONTINUO DCR] -> 10042

1	0.018.6954.4/10	1	console
18	2.0114.209.2	2	screw m 8 x 25
20	04426906	7	screw 4.2x16
23	0.010.9949.0/20	1	canal dx/rh/re
24	04429269	1	fin
34	04424184	4	screw
40	04425438	1	screw
41	04425756	1	disc
42	2.1143.006.4	2	insert m 6
48	01171694	9	clamp 172X4.6
49	2.0350.253.3	6	screw m 3.5 x 9.5 AB
50	2.6852.203.0	2	clamp 292 x 4.8
51	04453196	14	screw 3.5x8
54	04429841	1	bracket
57	04418723	1	profile
58	0.018.8660.3	1	support
59	2.1549.599.2	2	washer 9x30x3
60	04429758	1	support
63	0.011.5949.0	1	protective mesh
78	01144999	8	screw 2.9x9.5
80	0.015.3739.3/50	1	bracket
81	04424188	3	grommet 16
84	2.0114.211.2	1	screw m 8 x 30
85	04418895	1	plug
88	04429295	1	cover
92	04450940	2	bottom
93	2.1310.028.3	4	washer 4
94	01119630	4	screw m 4 x 16

IRON 170 CONTINUO DCR

Section: G0 - BODYWORK - CAB

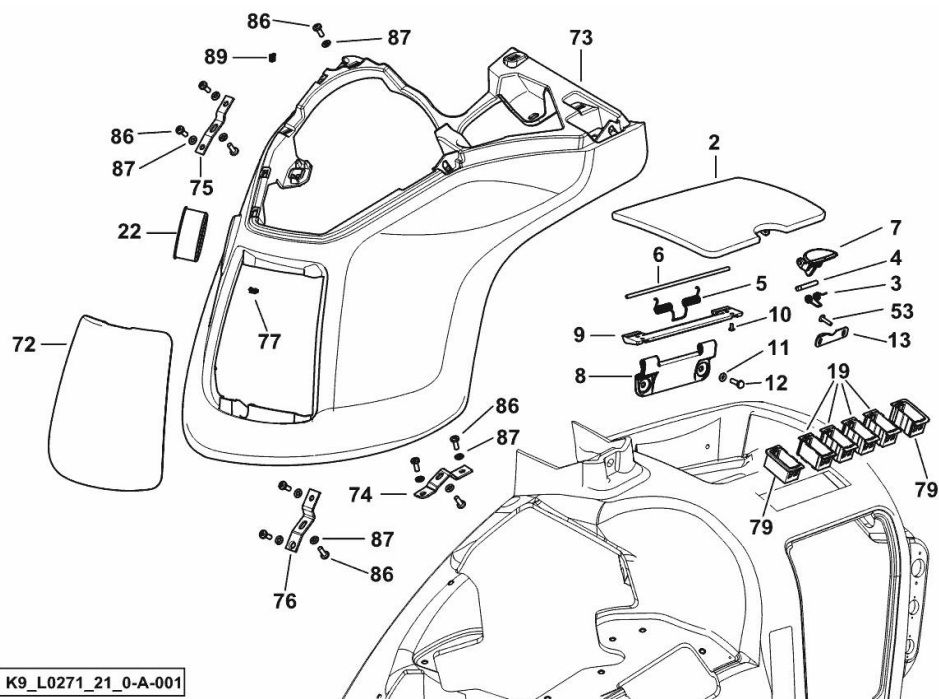
Ref: G0.06.6 (1)

CONTROL CONSOLE DX/RH/RE

Fig.	P/n	QTY	Name
------	-----	-----	------

Notes:

[IRON 170 CONTINUO DCR] -> 10042



2	04429294	1	cover
3	2.4099.120.3/10	1	spring
4	2.1699.510.2	1	pin
5	2.4099.135.2	1	spring
6	2.1659.520.3	1	pin
7	0.010.9955.0	1	handle
8	0.010.9987.0	1	hinge
9	0.010.9988.0/10	1	hinge
10	04419646	4	self tapping screw
11	2.1312.001.2	2	washer 4
12	2.0114.007.2	2	screw m 6 p.1 x 20
13	04429203	1	support
19	0.012.9681.4/10	4	tip
22	04431564	1	pipe fitting
53	04412976	2	screw 4.8x19
72	0.017.0205.0/10	1	shutter
73	0.017.0206.2/30	1	console
74	0.017.0477.0/10	1	bracket
75	0.017.0475.0	1	bracket
76	0.017.0476.0/10	1	bracket
77	0.013.4283.0	4	clip
79	0.012.9689.4/10	2	shim
86	2.0330.406.2	13	screw m 6 p.1.0 x 16
87	2.1310.002.3	13	flat washer 6.4 x 12 x 1.6
89	2.6999.064.6	3	special nut m 6

<https://www.ebooklibonline.com>

Hello dear friend!

Thank you very much for reading.

Enter the link into your browser.

The full manual is available for immediate download.

<https://www.ebooklibonline.com>

IRON 170 CONTINUO DCR

Section: G0 - BODYWORK - CAB

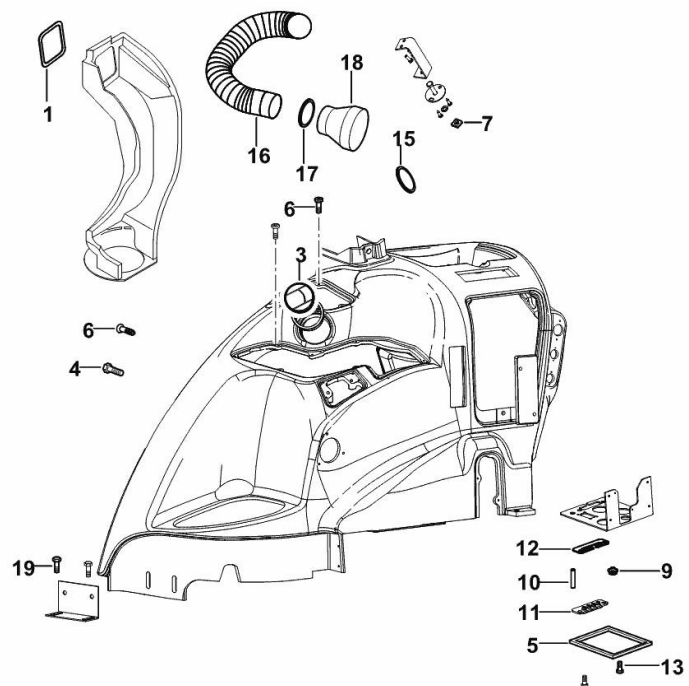
Ref: G0.06.7 (1)

CONTROL CONSOLE DX/RH/RE

Fig.	P/n	QTY	Name
------	-----	-----	------

Notes:

[IRON 170 CONTINUO DCR] 10057 <-



1	0.011.4085.0/20	2	gasket mm 390
3	04428870	2	mixer
4	04424185	4	screw DIN 7983S-ST 4.2X13
5	0.015.6302.0	1	gasket
6	04426906	11	screw 4.2x16
7	04429842	1	special nut
9	04424188	1	grommet 16
10	01396853	5	flexible hose
11	04429293	1	gasket
12	04429437	1	plate
13	2.0114.204.2	2	screw m 8 x 14
15	2.6852.203.0	1	clamp 292 x 4.8
16	04431843	2	flexible hose
17	01137413	1	fascia Ø 32/50
18	04429703/10	1	connection
19	01171763	2	screw m 8 p.1.25 x 20

K9_J2971_43_0-A-001

IRON 170 CONTINUO DCR

Section: G0 - BODYWORK - CAB

Ref: G0.06.7 (2)

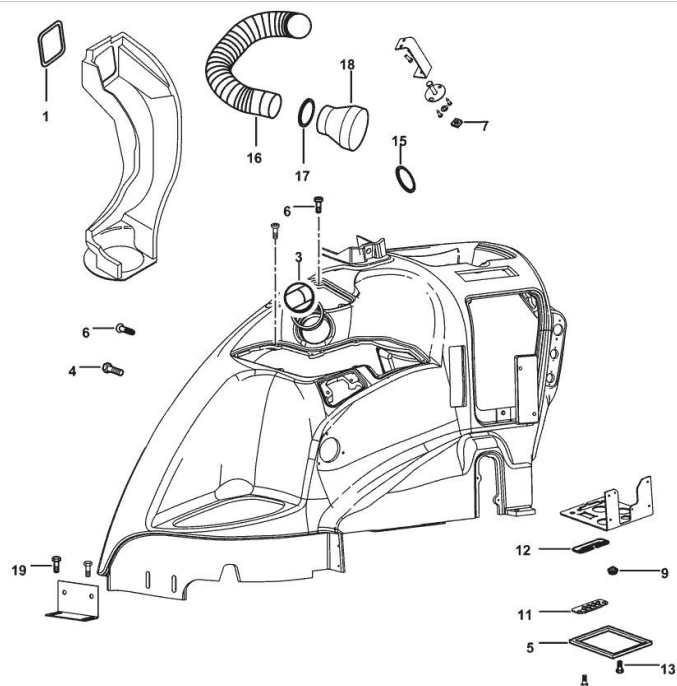
CONTROL CONSOLE DX/RH/RE

Fig.	P/n	QTY	Name
------	-----	-----	------

Notes:

[IRON 170 CONTINUO DCR]

1	0.011.4085.0/20	2	gasket mm 390
3	04428870	2	mixer
4	04424185	4	screw DIN 7983S-ST 4.2X13
5	0.015.6302.0	1	gasket
6	04426906	11	screw 4.2x16
7	04429842	1	special nut
9	04424188	1	grommet 16
11	04429293	1	gasket
12	04429437	1	plate
13	2.0114.204.2	2	screw m 8 x 14
15	2.6852.203.0	1	clamp 292 x 4.8
16	04431843	2	flexible hose
17	01137413	1	fascia Ø 32/50
18	04429703/10	1	connection
19	01171763	2	screw m 8 p.1.25 x 20



K9_J2971_43_0-A-002

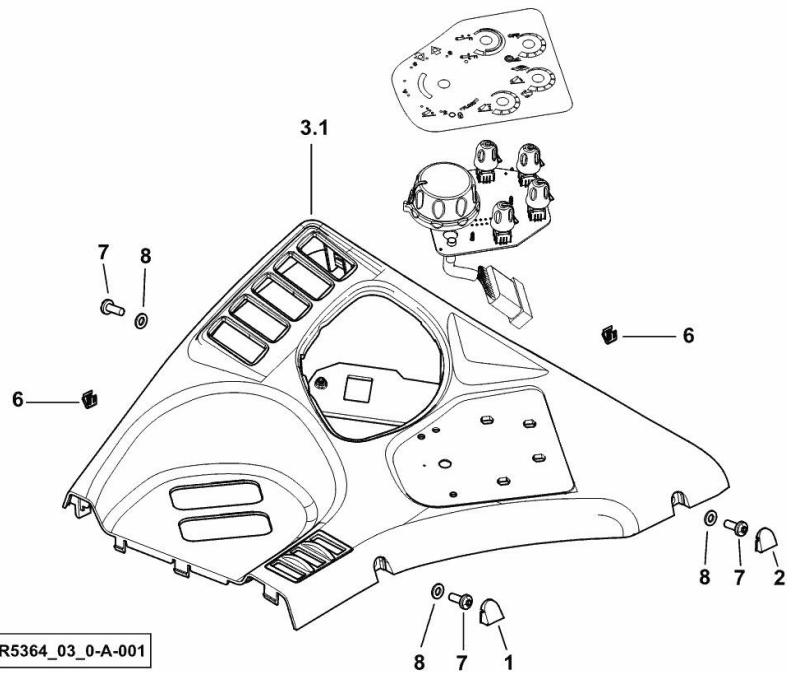
CONTROL CONSOLE DX/RH/RE

Fig.	P/n	QTY	Name
------	-----	-----	------

Notes:

- FOR TYPES WITHOUT FRONT LIFT AND FRONT QUICK-FIT COUPLERS [IRON 170 CONTINUO DCR] -> 10045

1	0.017.0544.0/10	1	plug
2	0.017.0545.0/10	1	plug
3.1	0.017.0550.2/20	1	front grille
6	0.013.4283.0	4	clip
7	2.0330.406.2	3	screw m 6 p.1.0 x 16
8	2.1310.002.3	3	flat washer 6.4 x 12 x 1.6



IRON 170 CONTINUO DCR

Section: G0 - BODYWORK - CAB

Ref: G0.06.9 (1)

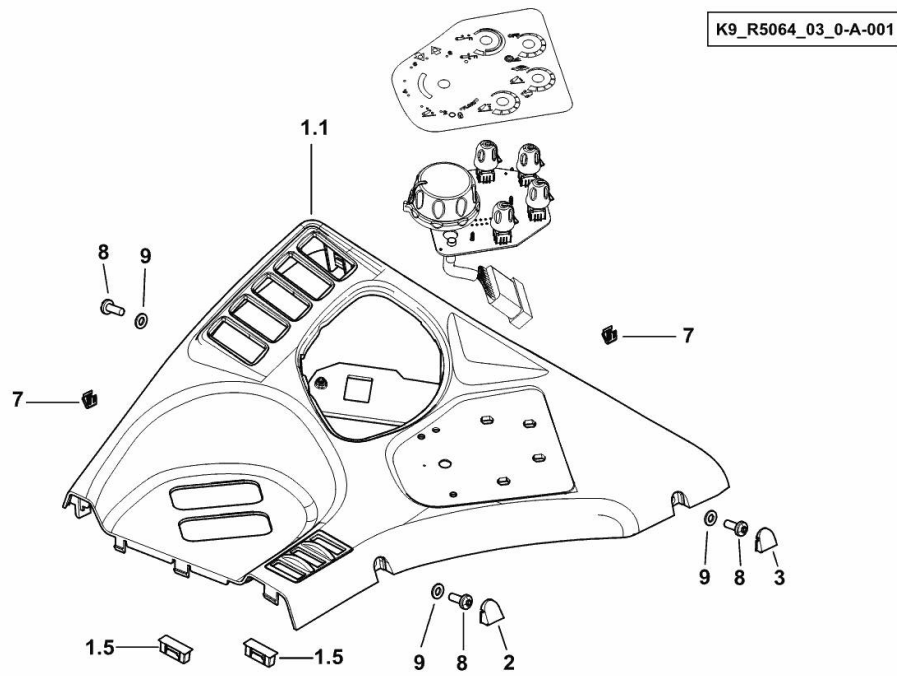
CONTROL CONSOLE DX/RH/RE

Fig.	P/n	QTY	Name
------	-----	-----	------

Notes:

- FOR MODELS WITH FRONT LIFT [IRON 170 CONTINUO DCR] -> 10044

1.1	0.017.0543.2/20	1	front grille
1.5	0.017.7398.0	2	plug
2	0.017.0544.0/10	1	plug
3	0.017.0545.0/10	1	plug
7	0.013.4283.0	4	clip
8	2.0330.406.2	3	screw m 6 p.1.0 x 16
9	2.1310.002.3	3	flat washer 6.4 x 12 x 1.6



IRON 170 CONTINUO DCR

Section: G0 - BODYWORK - CAB

Ref: G0.06.10 (1)

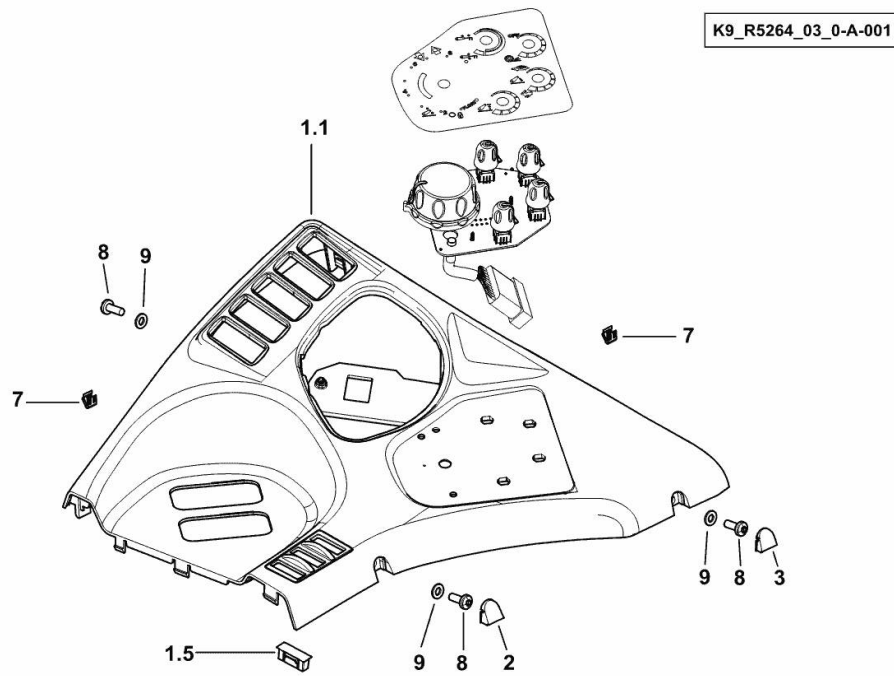
CONTROL CONSOLE DX/RH/RE

Fig.	P/n	QTY	Name
------	-----	-----	------

Notes:

- FOR TYPES W/ FRONT LIFT AND FRONT QUICK COUPLERS [IRON 170 CONTINUO DCR] -> 10042

1.1	0.017.0543.2/20	1	front grille
1.5	0.017.7398.0	1	plug
2	0.017.0544.0/10	1	plug
3	0.017.0545.0/10	1	plug
7	0.013.4283.0	4	clip
8	2.0330.406.2	3	screw m 6 p.1.0 x 16
9	2.1310.002.3	3	flat washer 6.4 x 12 x 1.6



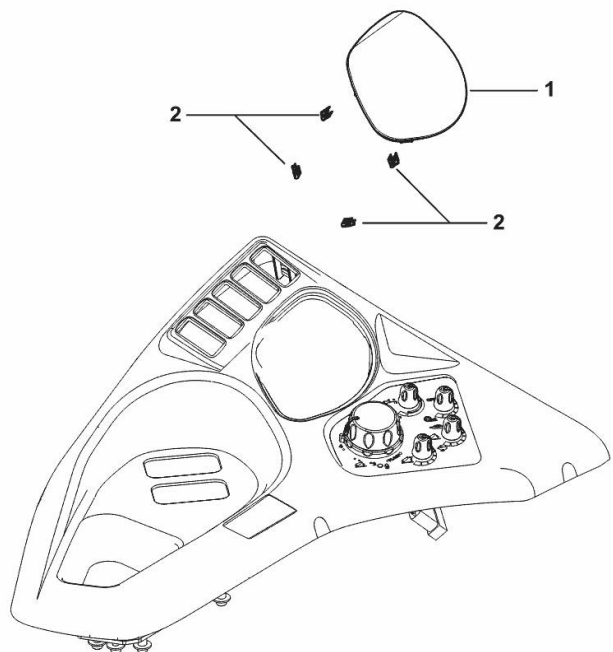
COVER PLATE

Fig.	P/n	QTY	Name
------	-----	-----	------

Notes:

- FOR TYPES WITHOUT I-MONITOR [IRON 170 CONTINUO DCR] -> 10042

1	0.017.0556.0/10	1	console
2	0.013.4283.0	4	clip



K9_L0271_50_0-A-001



Suggest:

For more complete manuals. Please go to the home page.

<https://www.ebooklibonline.com>

If the above button click is invalid. Please download this document first, and then click the above link to download the complete manual.

Thank you so much for reading

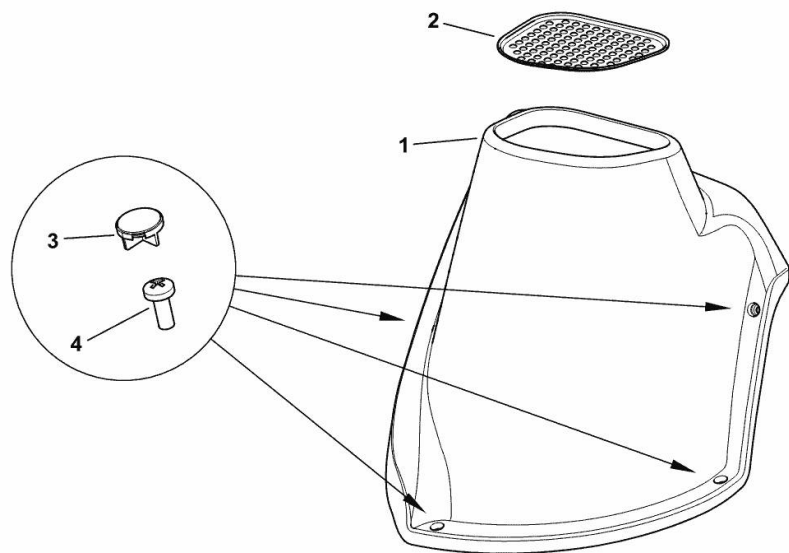
RIGHT-HAND CONSOLE PARTS KIT

Fig.	P/n	QTY	Name
------	-----	-----	------

Notes:

[IRON 170 CONTINUO DCR] 10041 <-

1	0.016.1045.3/10	1	cover
2	0.016.1044.0	1	cap
3	2.3199.307.0/10	4	plug RAL 7046
4	2.0332.304.2	4	screw m 5 p.0.8 x 12



K9_J4271_21_0-A-001

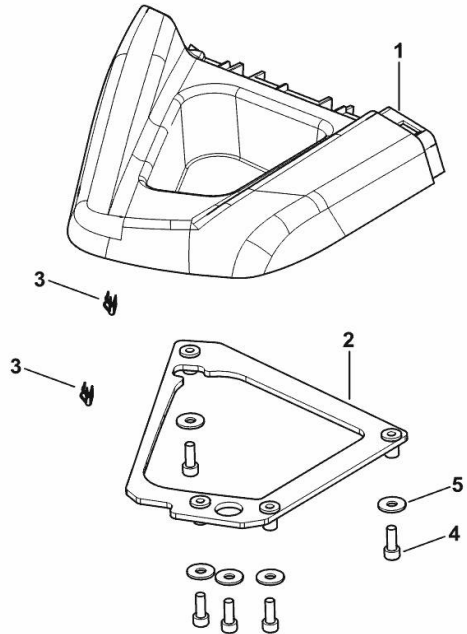
RIGHT-HAND CONSOLE PARTS KIT

Fig.	P/n	QTY	Name
------	-----	-----	------

Notes:

- FOR TYPES WITHOUT I-MONITOR [IRON 170 CONTINUO DCR] -> 10042

1	0.017.0553.2/20	1	casting holder
2	0.017.0209.2/10	1	bracket
3	0.013.4283.0	1	clip
4	2.0319.017.6	9	screw m 6 p.1.0 x 16
5	2.1312.003.2	9	washer 6



K9_J4271_49_0-A-001

<https://www.ebooklibonline.com>

Hello dear friend!

Thank you very much for reading.

Enter the link into your browser.

The full manual is available for immediate download.

<https://www.ebooklibonline.com>