

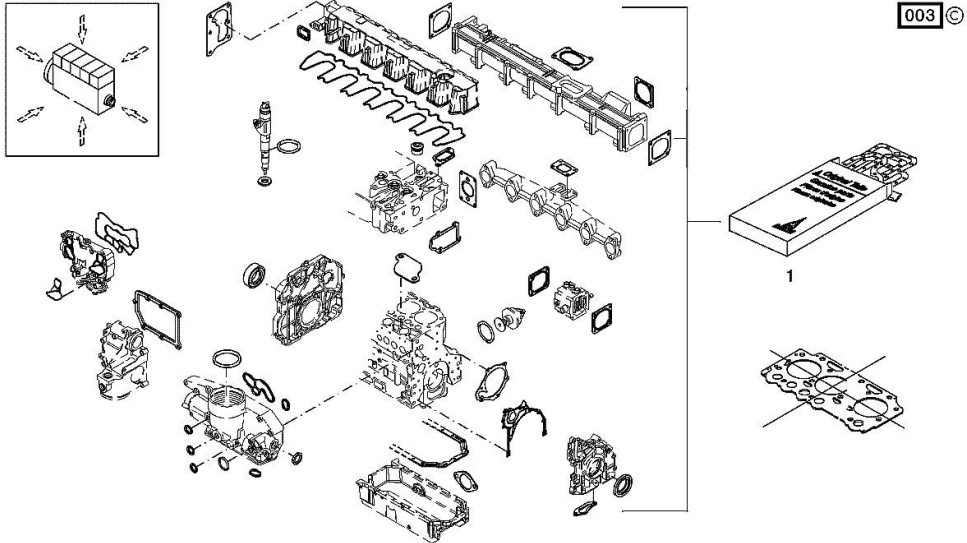
SERIE GUARNIZIONI

Fig.	P/n	QTY	Name
------	-----	-----	------

Notes:
 [IRON 160 DCR -> 10010 -> 30000]

Engine serial number:
 10528253 10598143 10598147 10598152 10601888 10607333 10626027 10627597 10627598 10627600 10627601
 10627602 10627605 10627704 10638372 10639240 10641009 10658887 10673837 10673838 10677610 10679058
 10705794 10705799 10707794 10710351 10714466 10714524 10716442 10716623 10720438 10720443 10720448
 10720451 10720459 10724846 10724847 10729445 10729447 10729448 10729449 10729454 10729455 10729457
 10729458 10729459 10730259 10730271 10730276 10735644 10735647 10735690 10738553 10738563 10738567
 10738569 10745338 10751214 10751220 10751236 10751239 10751240 10753023 10759378 10760674 10760676
 10760685 10770328 10770331 10770333 10770355 10770361 10770366 10770369 10770372 10774116 10774125
 10779837 10781133 10805182 10807681 10807685 10808119 10828708 10829985 10837112 10837115 10839614
 10839618 10841110 10849434 10853850 10977135

1	02937588	1	gasket set THE KIT DOES NOT CONTAIN ALL THE GASKETS: SEE SM 0199-99-9449
---	----------	---	--------------------------------------------------------------------------------



BLEEDING TUBE

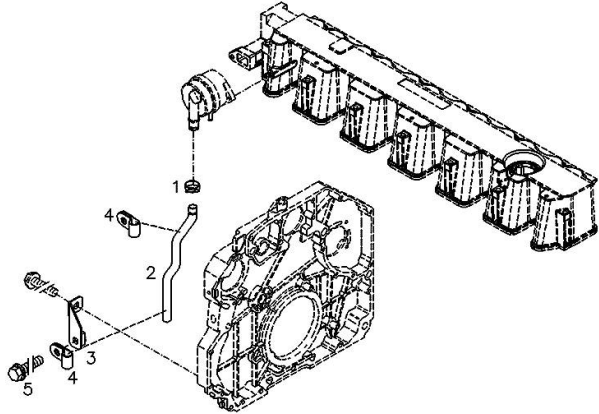
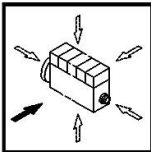
Fig.	P/n	QTY	Name
------	-----	-----	------

Notes:
 [IRON 160 DCR -> 10010 -> 30000]

Engine serial number:
 10528253 10598143 10598147 10598152 10601888 10607333 10626027 10627597 10627598 10627600 10627601
 10627602 10627605 10627704 10638372 10639240 10641009 10658887 10673837 10673838 10677610 10679058

1	01178750	1	clamp DIN 3021 -A-29X15
2	04290751	1	tube
3	04291288	1	bracket
4	01173523	2	fascia DIN 3016 -1-A1-25X20-W1-2
5	01181433	2	screw EN 1662 -F-M8X20-LG2,5-10.9-ZNAL-A

000 ©

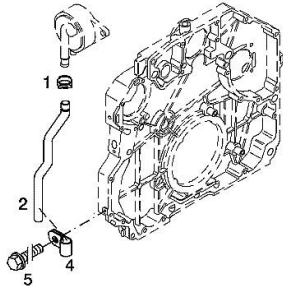
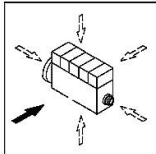


BLEEDING TUBE

Fig.	P/n	QTY	Name
------	-----	-----	------

Notes:
 [IRON 160 DCR -> 10010 -> 30000]

Engine serial number:
 10705794 10705799 10707794 10710351 10714466 10714524 10716442 10716623 10720438 10720443 10720448
 10720451 10720459 10724846 10724847 10729445 10729447 10729448 10729449 10729454 10729455 10729457
 10729458 10729459 10730259 10730271 10730276 10735644 10735647 10735690 10738553 10738563 10738567
 10738569 10745338 10751214 10751220 10751236 10751239 10751240 10753023 10759378 10760674 10760676
 10760685 10770328 10770331 10770333 10770355 10770361 10770366 10770369 10770372 10774116 10774125
 10779837 10781133 10805182 10807681 10807685 10808119 10828708 10829985 10837112 10837115 10839614
 10839618 10841110 10849434 10853850 10977135



1	01178750	1	clamp DIN 3021 -A-29X15
2	04290751	1	tube
4	01173523	1	fascia DIN 3016 -1-A1-25X20-W1-2
5	01181433	1	screw EN 1662 -F-M8X20-LG2,5-10.9-ZNAL-A

<https://www.ebooklibonline.com>

Hello dear friend!

Thank you very much for reading.

Enter the link into your browser.

The full manual is available for immediate download.

<https://www.ebooklibonline.com>

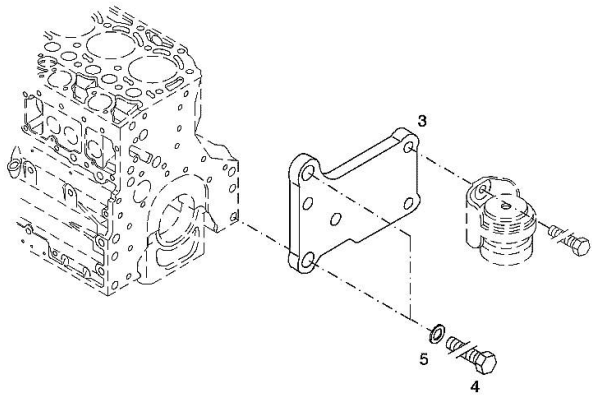
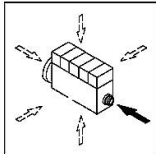
ACCESSORIES

Fig.	P/n	QTY	Name
------	-----	-----	------

Notes:
 [IRON 160 DCR -> 10010 -> 30000]

Engine serial number:
 10528253 10598143 10598147 10598152 10601888 10607333 10626027 10627597 10627598 10627600 10627601
 10627602 10627605 10627704 10638372 10639240 10641009 10658887 10673837 10673838 10677610 10679058
 10705794 10705799 10707794 10710351 10714466 10714524 10716442 10716623 10720438 10720443 10720448
 10720451 10720459 10724846 10724847 10729445 10729447 10729448 10729449 10729454 10729455 10729457
 10729458 10729459 10730259 10730271 10730276 10735644 10735647 10735690 10738553 10738563 10738567
 10738569 10745338 10751214 10751220 10751236 10751239 10751240 10753023 10759378 10760674 10760676
 10760685 10770328 10770331 10770333 10770355 10770361 10770366 10770369 10770372 10774116 10774125
 10779837 10781133 10805182 10807681 10807685 10808119 10828708 10829985 10837112 10837115 10839614
 10839618 10841110 10849434 10853850 10977135

006 ©



3	04288659	1	support
4	01148261	2	screw ISO 4017 -M16X40-10.9-ZNAL-A
5	01181400	2	washer H 2308 -18X25X1,5-A4C

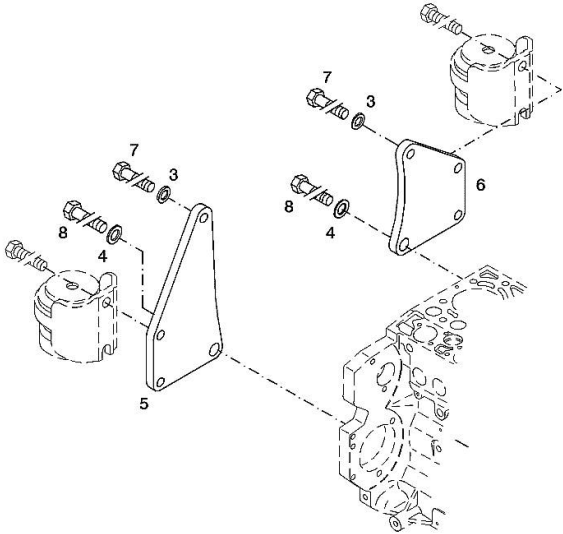
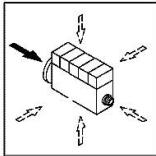
ACCESSORIES

Fig.	P/n	QTY	Name
------	-----	-----	------

Notes:
 [IRON 160 DCR -> 10010 -> 30000]

Engine serial number:
 10528253 10598143 10598147 10598152 10601888 10607333 10626027 10627597 10627598 10627600 10627601
 10627602 10627605 10627704 10638372 10639240 10641009 10658887 10673837 10673838 10677610 10679058
 10705794 10705799 10707794 10710351 10714466 10714524 10716442 10716623 10720438 10720443 10720448
 10720451 10720459 10724846 10724847 10729445 10729447 10729448 10729449 10729454 10729455 10729457
 10729458 10729459 10730259 10730271 10730276 10735644 10735647 10735690 10738553 10738563 10738567
 10738569 10745338 10751214 10751220 10751236 10751239 10751240 10753023 10759378 10760674 10760676
 10760685 10770328 10770331 10770333 10770355 10770361 10770366 10770369 10770372 10774116 10774125
 10779837 10781133 10805182 10807681 10807685 10808119 10828708 10829985 10837112 10837115 10839614
 10839618 10841110 10849434 10853850 10977135

003 ©



3	01182016	2	disc H 2308 -13X24X3-ZNAL-A
4	01181400	2	washer H 2308 -18X25X1,5-A4C
5	04206926	1	plate dx/rh/re
6	04206927	1	plate sx/lh/li
7	01148137	2	screw - UP TO MONTH OF ASSEMBLY (A) - FROM MONTH OF ASSEMBLY SEE POS. (B) A = 06.2009 B = POS. 950 DIN 931 -M12X75-10.9-ZNAL-A
8	01148037	2	screw UP TO MONTH OF ASSEMBLY (A) - FROM MONTH OF ASSEMBLY SEE POS. (B) A = 06.2009 B = POS. 951 ISO 4014 -M16X75-10.9-OELGESCHW
950	01149017	2	screw - FROM MONTH OF ASSEMBLY SEE POS. (B) - UP TO MONTH OF ASSEMBLY (A) FROM MONTH OF ASSEMBLY A = 07.2009 B = 7 DIN 34800 -BM12X75-10.9-ZNAL-A
951	01180235	2	screw - FROM MONTH OF ASSEMBLY SEE POS. (B) - UP TO MONTH OF ASSEMBLY (A) FROM MONTH OF ASSEMBLY A = 07.2009 B= Pos.8 H 2032 -HBM16X75-10.9-GESCHW

CRANKCASE BREATHER

Fig.	P/n	QTY	Name
------	-----	-----	------

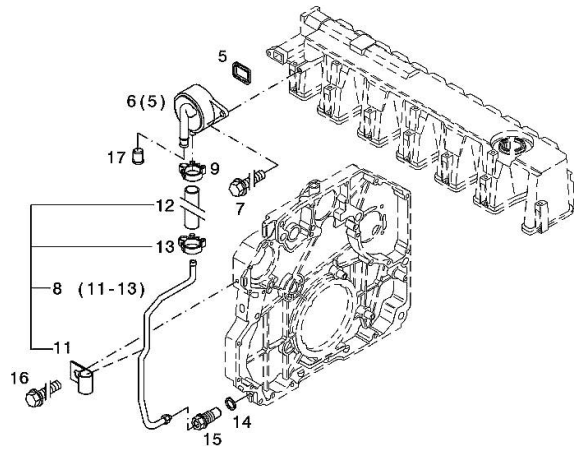
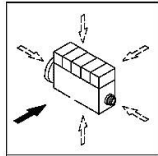
Notes:

[IRON 160 DCR -> 10010 -> 30000]

Engine serial number:

10528253 10598143 10598147 10598152 10601888 10607333 10626027 10627597 10627598 10627600 10627601
 10627602 10627605 10627704 10638372 10639240 10641009 10658887 10673837 10673838 10677610 10679058
 10705794 10705799 10707794 10710351 10714466 10714524 10716442 10716623 10720438 10720443 10720448
 10720451 10720459 10724846 10724847 10729445 10729447 10729448 10729449 10729454 10729455 10729457
 10729458 10729459 10730259 10730271 10730276 10735644 10735647 10735690 10738553 10738563 10738567
 10738569 10745338 10751214 10751220 10751236 10751239 10751240 10753023 10759378 10760674 10760676
 10760685 10770328 10770331 10770333 10770355 10770361 10770366 10770369 10770372 10774116 10774125
 10779837 10781133 10805182 10807681 10807685 10808119 10828708 10829985 10837112 10837115 10839614
 10839618 10841110 10849434 10853850 10977135

002 ©



5	04298547	1	rubber plug
6	04905110	1	breather WITH POS.... (5)
7	01181432	2	screw m8x30 EN 1662 -F-M8X30-10.9-ZNAL-A
8	04504876	1	tube WITH POS.... 11-13
9	01182878	1	fascia H 3461 -F-13,0/8
11	02144961	1	fascia
12	04288507	1	rubber tube H 3407 -F8X14X57-EAM/ARAMID/EAM
13	01182878	1	fascia H 3461 -F-13,0/8
14	01118737	1	oil seal 22 x 27 DIN 7603 -A22X27-CU
15	04505853	1	pipe union
16	01181442	1	screw m6x12 EN 1662 -F-M6X12-10.9-ZNAL-A
17	01161302	1	bottom H 2873 -A25,5X22,8X17-PEWEICH

OIL FILLER NECK

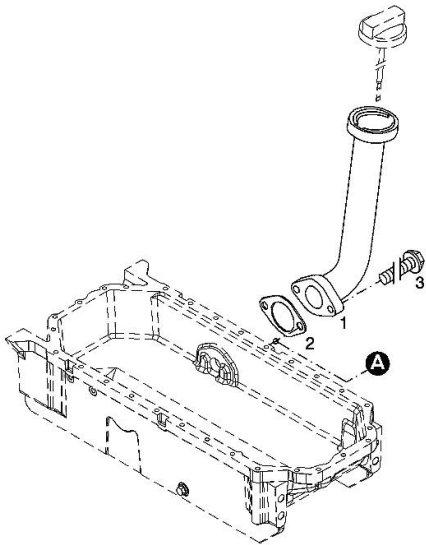
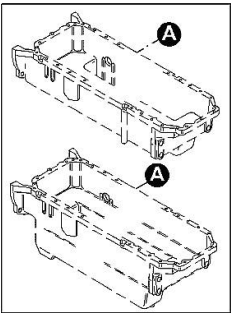
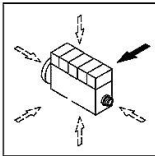
Fig.	P/n	QTY	Name
------	-----	-----	------

Notes:
 [IRON 160 DCR -> 10010 -> 30000]

Engine serial number:
 10528253 10598143 10598147 10598152 10601888 10607333 10626027 10627597 10627598 10627600 10627601
 10627602 10627605 10627704 10638372 10639240 10641009 10658887 10673837 10673838 10677610 10679058
 10705794 10705799 10707794 10710351 10714466 10714524 10716442 10716623 10720438 10720443 10720448
 10720451 10720459 10724846 10724847 10729445 10729447 10729448 10729449 10729454 10729455 10729457
 10729458 10729459 10730259 10730271 10730276 10735644 10735647 10735690 10738553 10738563 10738567
 10738569 10745338 10751214 10751220 10751236 10751239 10751240 10753023 10759378 10760674 10760676
 10760685 10770328 10770331 10770333 10770355 10770361 10770366 10770369 10770372 10774116 10774125
 10779837 10781133 10805182 10807681 10807685 10808119 10828708 10829985 10837112 10837115 10839614
 10839618 10841110 10849434 10853850 10977135

001 ©

1	04207099	1	tube
2	01178421	1	gasket
3	01181433	2	screw
			30 Nm



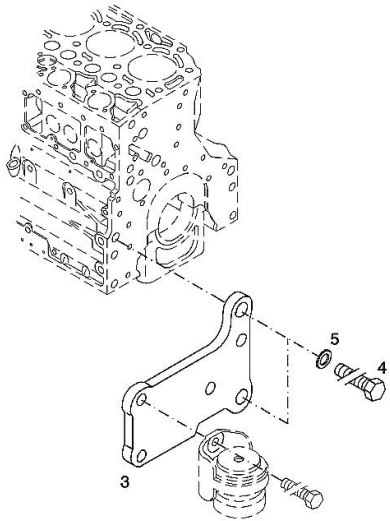
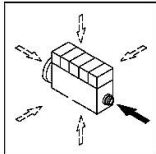
ACCESSORIES

Fig.	P/n	QTY	Name
------	-----	-----	------

Notes:
 [IRON 160 DCR -> 10010 -> 30000]

Engine serial number:
 10528253 10598143 10598147 10598152 10601888 10607333 10626027 10627597 10627598 10627600 10627601
 10627602 10627605 10627704 10638372 10639240 10641009 10658887 10673837 10673838 10677610 10679058
 10705794 10705799 10707794 10710351 10714466 10714524 10716442 10716623 10720438 10720443 10720448
 10720451 10720459 10724846 10724847 10729445 10729447 10729448 10729449 10729454 10729455 10729457
 10729458 10729459 10730259 10730271 10730276 10735644 10735647 10735690 10738553 10738563 10738567
 10738569 10745338 10751214 10751220 10751236 10751239 10751240 10753023 10759378 10760674 10760676
 10760685 10770328 10770331 10770333 10770355 10770361 10770366 10770369 10770372 10774116 10774125
 10779837 10781133 10805182 10807681 10807685 10808119 10828708 10829985 10837112 10837115 10839614
 10839618 10841110 10849434 10853850 10977135

003 ©



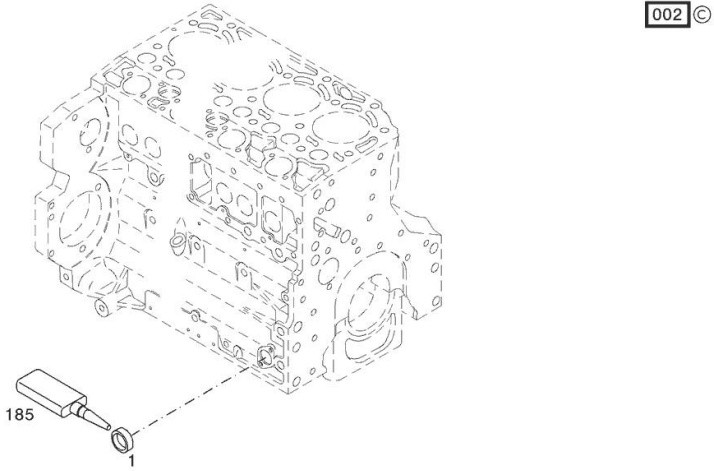
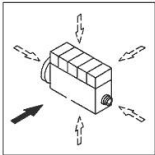
3	04288660	1	support
4	01148261	2	screw ISO 4017 -M16X40-10.9-ZNAL-A
5	01181400	2	washer H 2308 -18X25X1,5-A4C

PLUG

Fig.	P/n	QTY	Name
------	-----	-----	------

Notes:
 [IRON 160 DCR -> 10010 -> 30000]

1	01148031	1	plug DIN 443 -A36-ZNPHR
185	01319911	1	sealing compound ml. 50





Suggest:

For more complete manuals. Please go to the home page.

<https://www.ebooklibonline.com>

If the above button click is invalid. Please download this document first, and then click the above link to download the complete manual.

Thank you so much for reading

PISTON COOL.NOZZLE

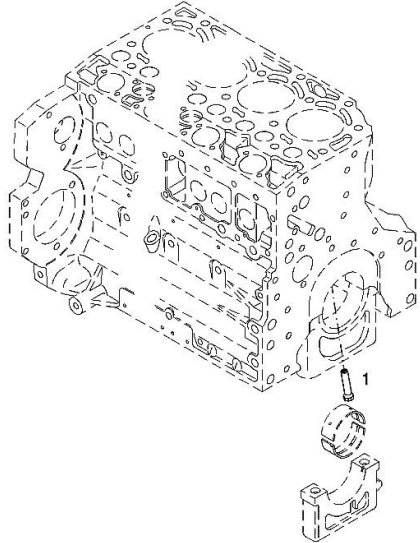
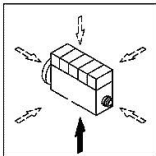
Fig.	P/n	QTY	Name
------	-----	-----	------

Notes:
 [IRON 160 DCR -> 10010 -> 30000]

Engine serial number:
 10528253 10598143 10598147 10598152 10601888 10607333 10626027 10627597 10627598 10627600 10627601
 10627602 10627605 10627704 10638372 10639240 10641009 10658887 10673837 10673838 10677610 10679058
 10705794 10705799 10707794 10710351 10714466 10714524 10716442 10716623 10720438 10720443 10720448
 10720451 10720459 10724846 10724847 10729445 10729447 10729448 10729449 10729454 10729455 10729457
 10729458 10729459 10730259 10730271 10730276 10735644 10735647 10735690 10738553 10738563 10738567
 10738569 10745338 10751214 10751220 10751236 10751239 10751240 10753023 10759378 10760674 10760676
 10760685 10770328 10770331 10770333 10770355 10770361 10770366 10770369 10770372 10774116 10774125
 10779837 10781133 10805182 10807681 10807685 10808119 10828708 10829985 10837112 10837115 10839614
 10839618 10841110 10849434 10853850 10977135

001 ©

1	04207521	1	sprayers
---	----------	---	----------



KURBELGEHAEUSE

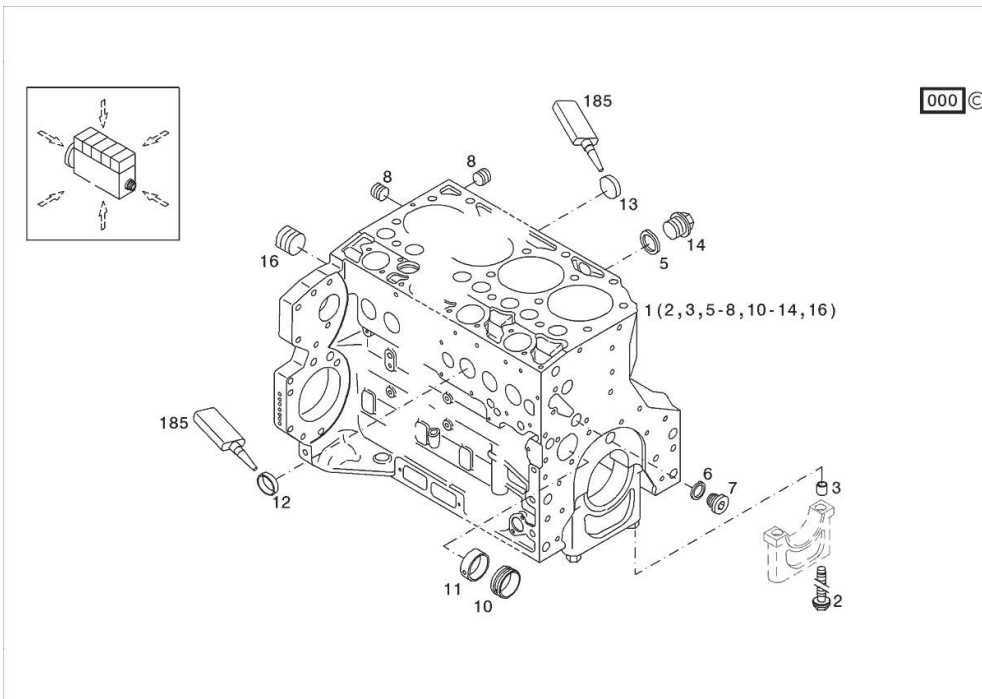
Fig.	P/n	QTY	Name
------	-----	-----	------

Notes:

[IRON 160 DCR -> 10010 -> 30000]

Engine serial number:

10528253 10598143 10598147 10598152 10601888 10607333 10626027 10627597 10627598 10627600 10627601
 10627602 10627605 10627704 10638372 10639240 10641009 10658887 10673837 10673838 10677610 10679058
 10705794 10705799 10707794 10710351 10714466 10714524 10716442 10716623 10720438 10720443 10720448
 10720451 10720459 10724846 10724847 10729445 10729447 10729448 10729449 10729454 10729455 10729457
 10729458 10729459 10730259 10730271 10730276 10735644 10735647 10735690 10738553 10738563 10738567
 10738569 10745338 10751214 10751220 10751236 10751239 10751240 10753023 10759378 10760674 10760676
 10760685 10770328 10770331 10770333 10770355 10770361 10770366 10770369 10770372 10774116 10774125
 10779837 10781133 10805182 10807681 10807685 10808119 10828708 10829985 10837112 10837115 10839614
 10839618 10841110 10849434 10853850 10977135



185	01319910	1	guard
1	04296586	1	crankcase kpl. MIT POS.... WITH ITEM.... WITH ITEM.... (2,3,5-8,10-14,16)
2	04254240	14	screw 50 Nm , 90° , 90°
3	04160764	14	bushing
5	01118693	2	gasket 14x20 DIN 7603 -A14X20-CU
6	01101342	1	oil seal DIN 7603 -D22X27-CU
7	04292706	1	plug 80 Nm
8	01182031	2	screw 35 Nm H 2812 -906-M14X1,5-ST-A3C-LOCTITE506
10	04251884	6	plug
11	04250086	1	ring
12	01148032	9	cover DIN 443 -A45-ZNPHR
13	01148031	6	plug DIN 443 -A36-ZNPHR
14	01100940	2	screw 35 Nm DIN 7604 -AM14X1,5-ST-A4C
16	04226536	1	bottom 30 Nm

<https://www.ebooklibonline.com>

Hello dear friend!

Thank you very much for reading.

Enter the link into your browser.

The full manual is available for immediate download.

<https://www.ebooklibonline.com>