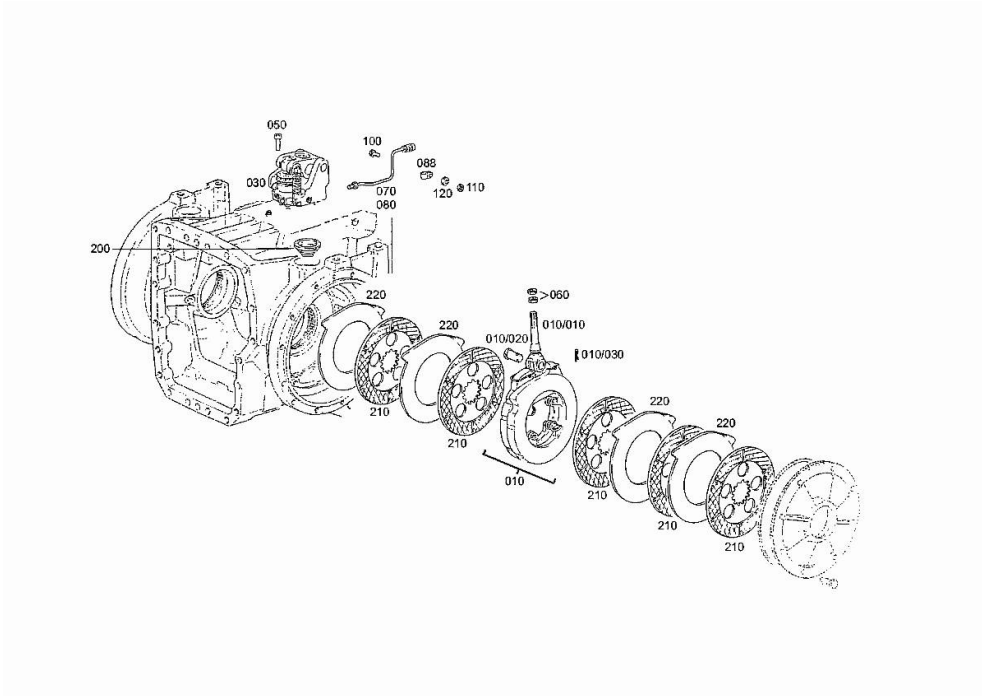


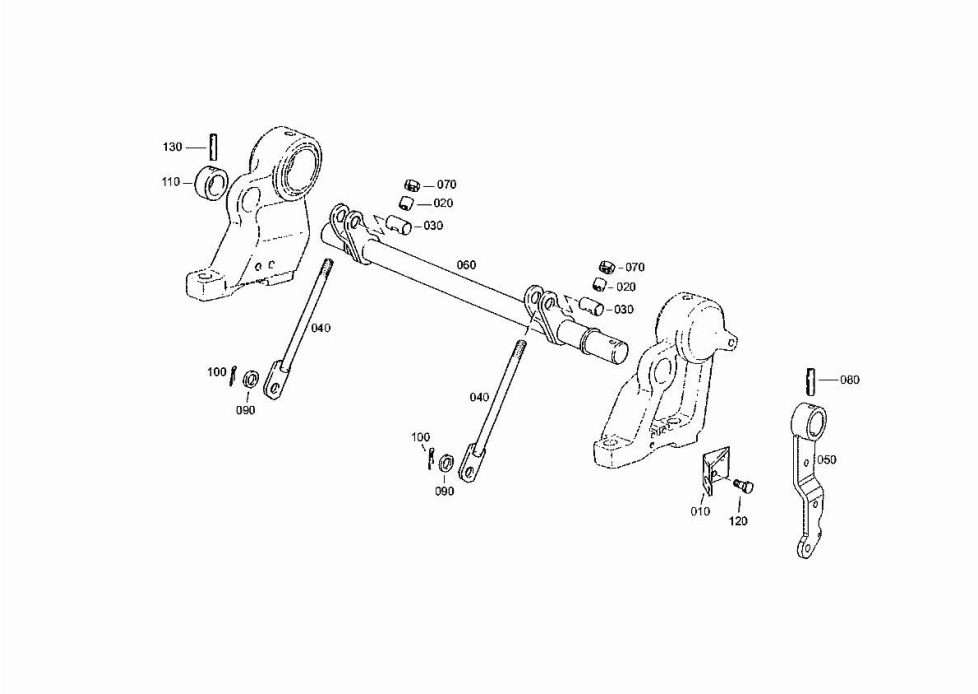
Section: D0 - TRANSMISSION  
**SERVICE BRAKE 2093 009 056**

Fig.	P/n	QTY	Name
10	0.900.0800.4	2	transmission brake
10.10	04428551	1	rod
10.20	04435740	1	pin
10.30	04435741	1	split pin
30	0.900.0800.5	2	operation
50	0.900.0469.7	6	screw m 10 x 40
60	04434557	4	nut m 14 p.1.5
70	04428545	1	tube sx/lh/li
80	04428546	1	piping dx/rh/re
88	0.900.0468.2	2	clamp 6x12
100	0.900.0280.1	2	screw m 5 x 25
110	0.900.0470.2	2	nut m 5
120	0.900.0281.6	2	nut
200	0.900.0800.9	2	rubber bushing
210	0.900.0801.2	10	disc
220	0.900.0801.3	8	disc



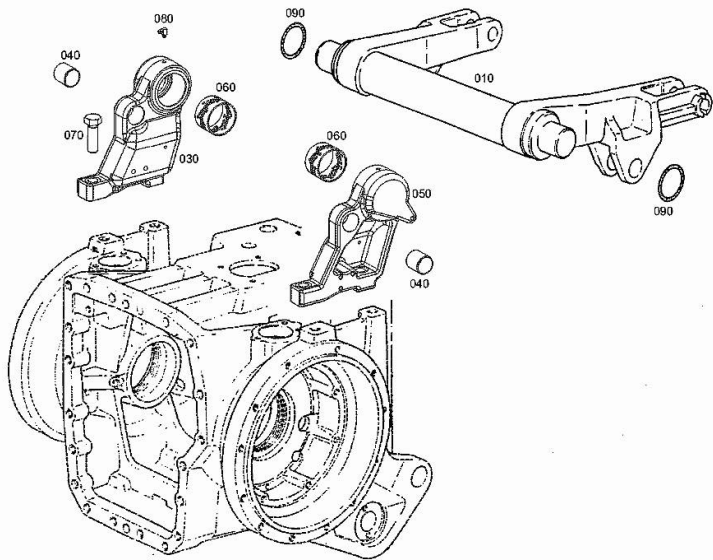
**BRAKE CONTROLS 2093 009 056**

Fig.	P/n	QTY	Name
10	0.900.1239.7	1	bracket
20	0.900.1239.8	2	tube
30	0.900.1239.9	2	pin
40	0.900.1240.0	2	rod
50	0.900.1240.1	1	lever
60	0.900.1240.2	1	shaft
70	0.900.0281.9	2	nut m 12
80	0.010.3459.1	1	roll pin
90	0.900.0466.9	2	washer
100	0.900.0468.1	2	split pin 3.2x18
110	0.900.1240.3	1	spacer
120	0.900.0469.4	3	screw m 8 p.1.25 x 20
130	0.010.2901.1	1	pin 6x50



**LIFTING 2093 009 056**

Fig.	P/n	QTY	Name
10	0.900.0883.4	1	shaft
30	0.900.0802.9	1	bearing block dx/rh/re
40	0.010.3844.1	2	bearing
50	0.900.0803.0	1	bearing block sx/lh/li
60	04417549	2	special bushing
70	0.900.0469.1	4	screw m 20x65
80	04427636	2	grease gun m 8 p.1 x 8
90	04417552	2	ring 78.5x6



**<https://www.ebooklibonline.com>**

Hello dear friend!

Thank you very much for reading.

Enter the link into your browser.

The full manual is available for immediate download.

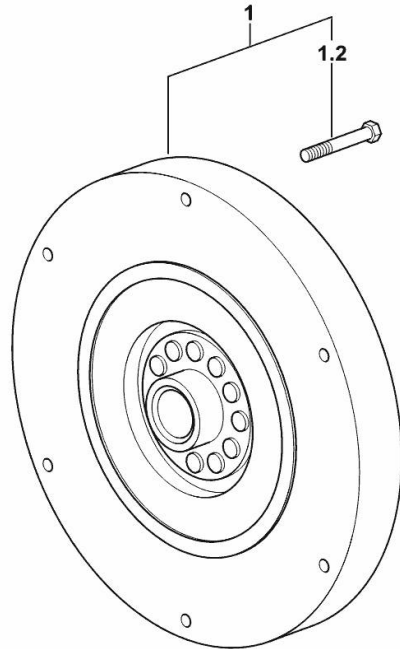
**<https://www.ebooklibonline.com>**

**FILEX COUPLING**

Fig.	P/n	QTY	Name
------	-----	-----	------

Notes:  
[IRON 150]

1	04415695.4	1	flex coupling
1.2	2.0119.322.7	6	screw m 8 x 50



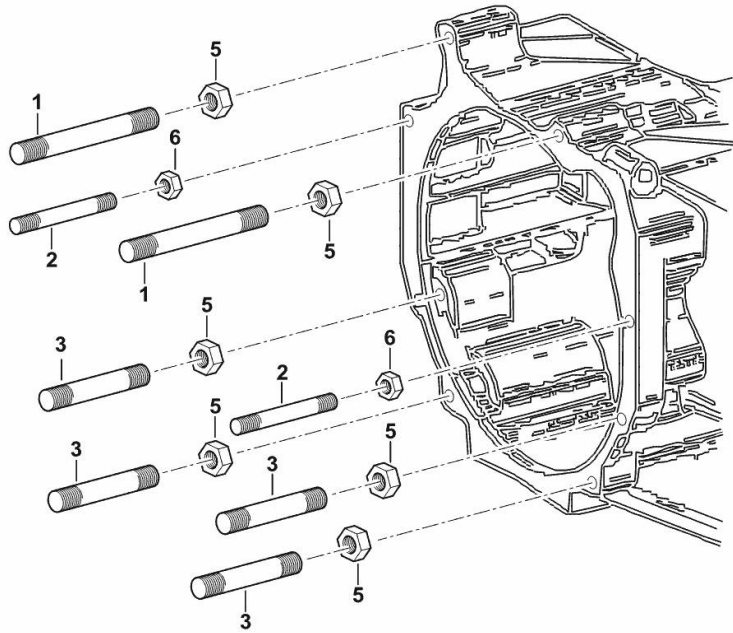
K9\_95330\_01\_0-A-001

**GEARBOX FASTENERS**

Fig.	P/n	QTY	Name
------	-----	-----	------

Notes:  
[IRON 150]

1	2.0439.288.6/10	2	stud bolt m 16 p.2x140
2	2.0439.289.6/20	2	stud bolt m 12 p.1.75x100
3	2.0439.290.6/10	4	stud bolt m 16 p.2x120
5	2.1012.109.7	6	nut m 16
6	2.1012.107.7	2	nut m 12



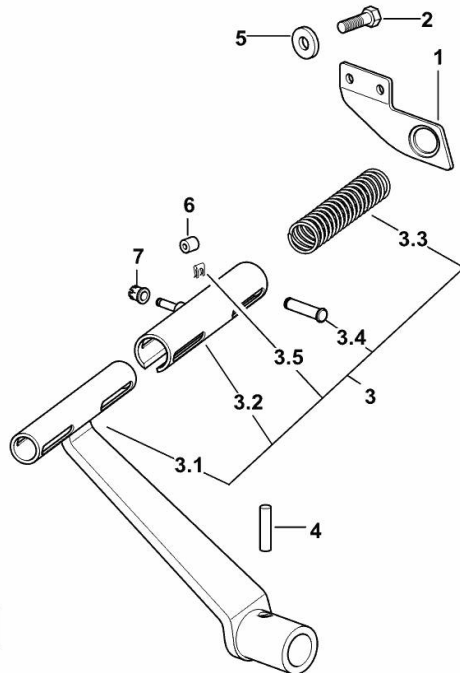
K9\_95331\_01\_0-A-001

**SUPER-REDUCTION CONTROL**

Fig.	P/n	QTY	Name
------	-----	-----	------

Notes:  
[IRON 150]

1	04411750	1	support
2	2.0114.207.2	2	screw m 8 p.1.25 x 20
3	04415458.4	1	lever
3.1	04414553.4	1	lever
3.2	04414554.4	1	tube
3.3	04414549	1	spring
3.4	04414557	2	pin
3.5	01175655	2	stop
4	2.1630.916.2	1	pin 12x45
5	04418159	2	circlip
6	04415468	1	stop
7	04415469	1	clip



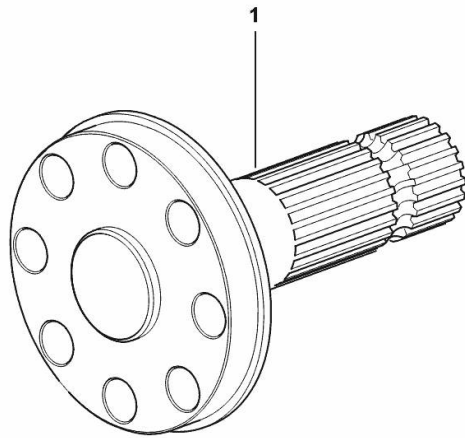
K9\_95364\_03\_0-A-001

**PTO OUTPUT SHAFT Z = 21**

Fig.	P/n	QTY	Name
------	-----	-----	------

Notes:  
[IRON 150]

1	04413621	1	shaft Z = 21
---	----------	---	--------------



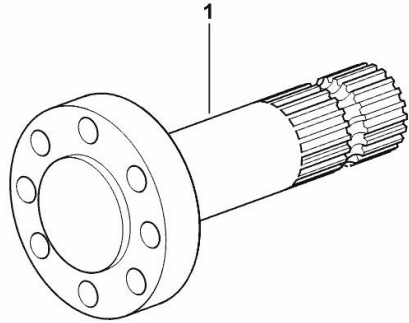
K9\_B1636\_11\_0-A-001

**PTO OUTPUT SHAFT 1"3/4, Z = 20**

Fig.	P/n	QTY	Name
------	-----	-----	------

Notes:  
[IRON 150]

1	04413632	1	shaft 1"3/4, Z = 20
---	----------	---	---------------------



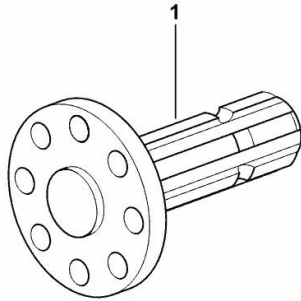
K9\_F5336\_11\_0-A-001

**PTO OUTPUT SHAFT 1" 3/4, Z = 6**

Fig.	P/n	QTY	Name
------	-----	-----	------

Notes:  
[IRON 150]

1	04454955	1	shaft 1" 3/4, Z = 6
---	----------	---	---------------------



K9\_F5336\_12\_0-A-001



**Suggest:**

**For more complete manuals. Please go to the home page.**

**<https://www.ebooklibonline.com>**

**If the above button click is invalid. Please download this document first, and then click the above link to download the complete manual.**

**Thank you so much for reading**

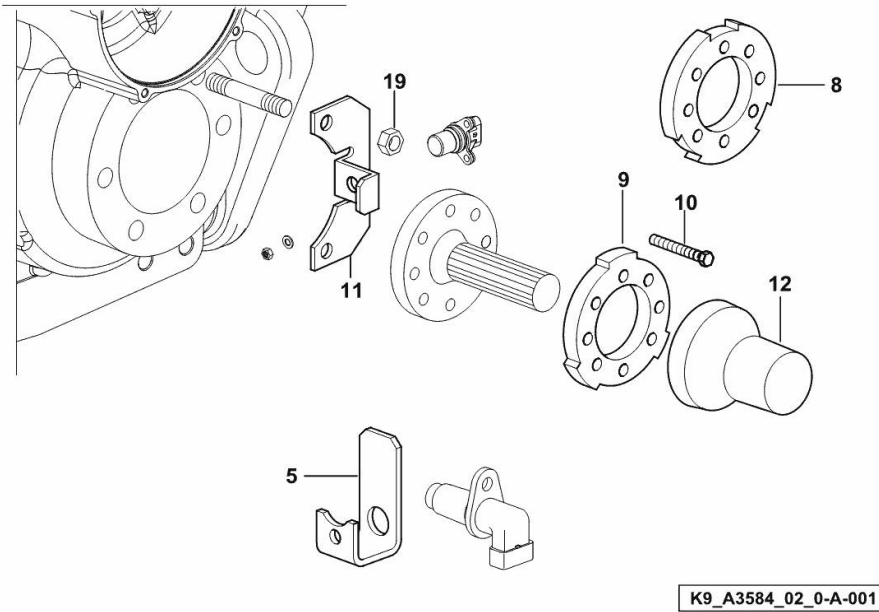
**COMPLETION**

Fig.	P/n	QTY	Name
------	-----	-----	------

**Notes:**

- EXPORT U.S.A. [IRON 150]

5	04418427/10	1	bracket
8	0.012.9600.0/20	1	disc 540
9	0.012.9599.0/20	1	disc 1000
10	2.0119.251.2	8	screw m 12 p.1.75 x 60
11	0.012.9605.0/10	1	support
12	0.012.9643.0/10	1	guard
19	2.1011.106.2	2	nut m 10 p.1.5



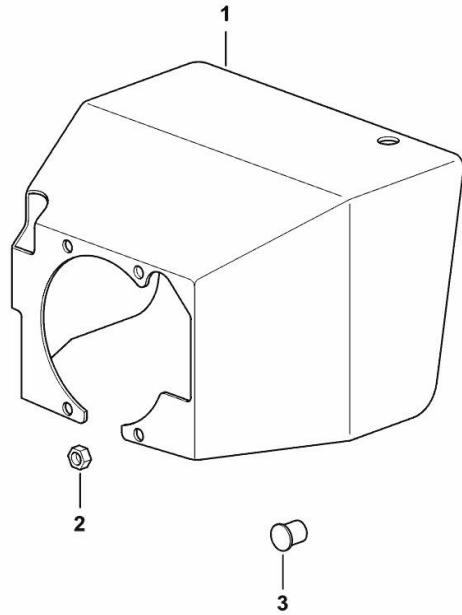
**P.T.O. SHAFT PROTECTOR REAR**

Fig.	P/n	QTY	Name
------	-----	-----	------

**Notes:**

[IRON 150] 1041 <-

1	04419617/10	1	guard
2	2.1011.105.2	4	nut m 8 p.1.25
3	01167319	21	bottom



K9\_95336\_20\_0-A-001

**<https://www.ebooklibonline.com>**

Hello dear friend!

Thank you very much for reading.

Enter the link into your browser.

The full manual is available for immediate download.

**<https://www.ebooklibonline.com>**