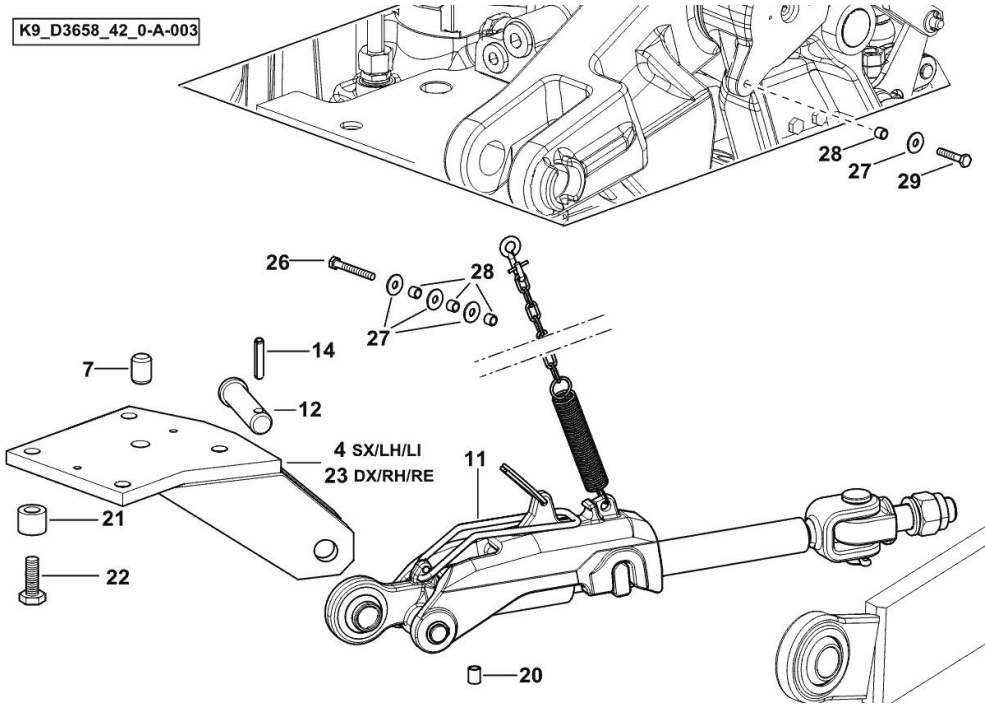


**THREE-POINT HITCH - AUTOMATIC LATERAL STABILIZERS SX/LH/LI - DX/RH/RE**

Fig.	P/n	QTY	Name
------	-----	-----	------

**Notes:**  
 - FOR TYPES W/ PICK-UP-HITCH AND ADJUSTABLE ON LH AND RH SIDE [IRON 140 DCR -> 10010 -> 30000]

K9\_D3658\_42\_0-A-003



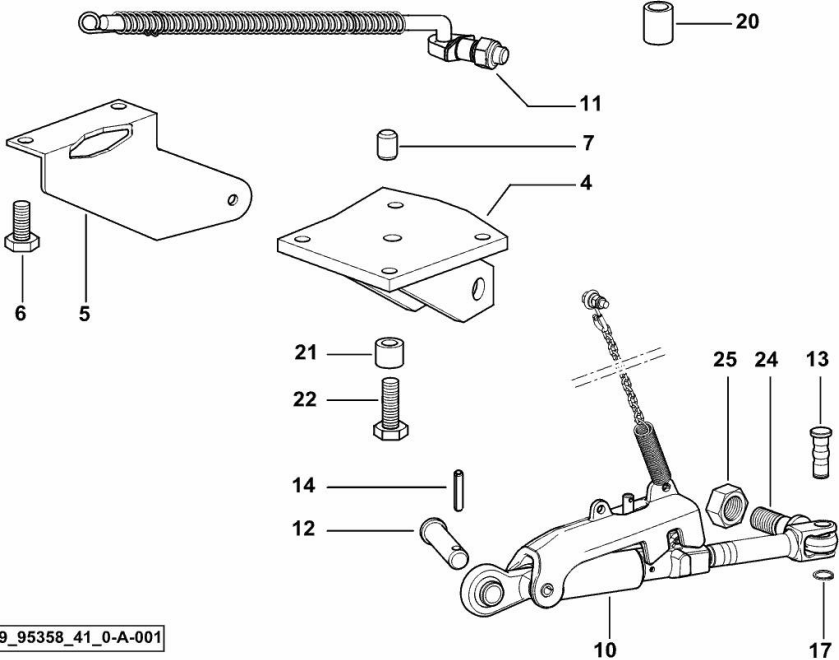
4	04411063/30	1	end bracket sx/lh/li
7	2.1659.526.6	2	cylindrical plug 20x24
11	0.015.4029.4	2	stabiliser ☞ 0.015.4029.4
12	04414819/10	2	pin
14	2.1630.818.2	2	pin 10x55
20	04355272	2	bushing 9x13x16
21	04422335	8	spacer 17x30.5x24
22	2.0119.283.6	8	screw m 16 x 70
23	04411062/20	1	end bracket dx/rh/re
26	2.0114.219.2	1	screw m 8 p.1.25 x 60
27	2.1312.004.2	4	washer 8x24x2
28	04451581	4	spacer 9x12x9
29	2.0114.215.2	1	screw m 8 p.1.25 x 40

**THREE-POINT HITCH - AUTOMATIC LATERAL STABILIZERS - SX/LH/LI**

Fig.	P/n	QTY	Name
------	-----	-----	------

Notes:  
 - ADJUSTABLE ON LH SIDE [IRON 140 DCR -> 10010 -> 30000] 10017 <-

4	04411063/10	1	end bracket sx/lh/li
5	04416256	1	plate
6	01112683	2	screw m 16 x 40
7	2.1659.526.6	1	cylindrical plug 20x24
10	0.012.9801.4/10	1	stabiliser ☞ 0.012.9801.4/10
11	04414942.4/10	1	support ☞ 04414942.4/10
12	04414819	1	pin
13	04414932	2	pin
14	2.1630.818.2	1	pin 10x55
17	01143888	1	ring
20	04355272	1	bushing 9x13x16
21	04422335	4	spacer 17x30.5x24
22	2.0119.283.6	4	screw m 16 x 70
24	04435435	1	screw 3-PK
25	2.1120.014.2	1	nut



K9\_95358\_41\_0-A-001

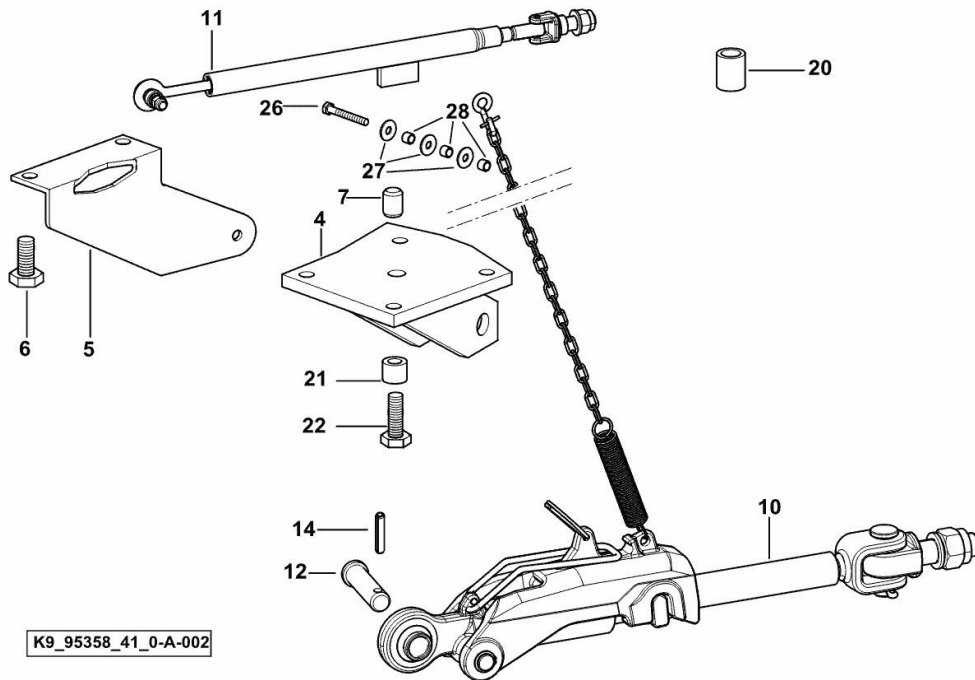
**THREE-POINT HITCH - AUTOMATIC LATERAL STABILIZERS - SX/LH/LI**

Fig.	P/n	QTY	Name
------	-----	-----	------

**Notes:**

- ADJUSTABLE ON LH SIDE [IRON 140 DCR -> 10010 -> 30000]

4	04411063/30	1	end bracket sx/lh/li
5	04416256	1	plate
6	01112683	2	screw m 16 x 40
7	2.1659.526.6	1	cylindrical plug 20x24
10	0.015.4023.4	1	stabiliser kpl. ☞ 0.015.4023.4 ☞ 0.015.4023.4
11	0.015.7687.4	1	stabiliser ☞ 0.015.7687.4
12	04414819/10	1	pin
14	2.1630.818.2	1	pin 10x55
20	04355272	1	bushing 9x13x16
21	04422335	4	spacer 17x30.5x24
22	2.0119.283.6	4	screw m 16 x 70
26	2.0114.219.2	1	screw m 8 p.1.25 x 60
27	2.1312.004.2	3	washer 8x24x2
28	04451581	3	spacer 9x12x9



**<https://www.ebooklibonline.com>**

Hello dear friend!

Thank you very much for reading.

Enter the link into your browser.

The full manual is available for immediate download.

**<https://www.ebooklibonline.com>**

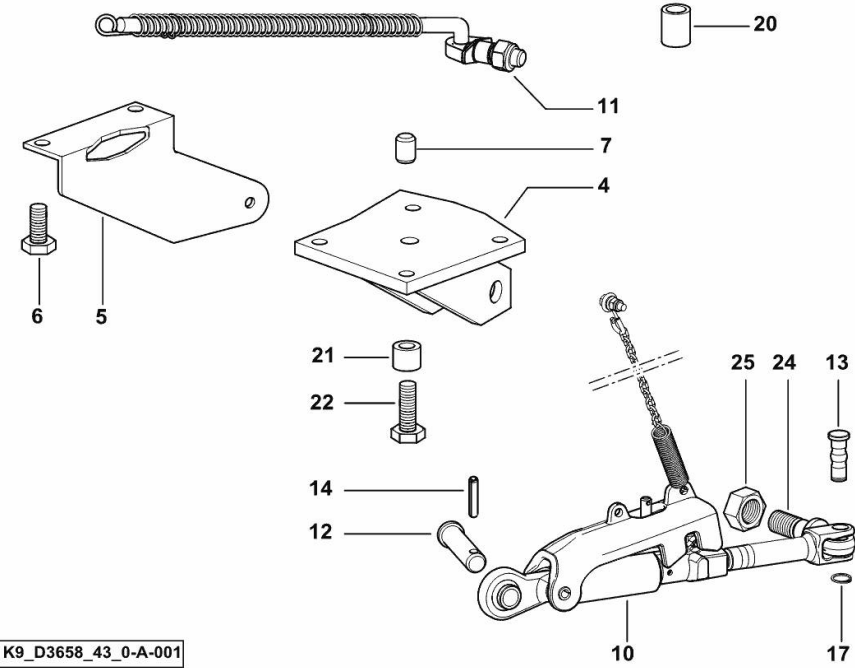
**THREE-POINT HITCH - AUTOMATIC LATERAL STABILIZERS - SX/LH/LI**

Fig.	P/n	QTY	Name
------	-----	-----	------

**Notes:**

- FOR TYPES W/ PICK-UP-HITCH AND ADJUSTABLE ON LH SIDE [IRON 140 DCR -> 10010 -> 30000]

4	04411063/10	1	end bracket sx/lh/li
5	04416256	1	plate
6	01112683	2	screw m 16 x 40
7	2.1659.526.6	1	cylindrical plug 20x24
10	04452979/10	1	stabiliser ☞ 04452979/10
11	04414942.4/10	1	support ☞ 04414942.4/10
12	04414819	1	pin
13	04414932	1	pin
14	2.1630.818.2	1	pin 10x55
17	01143888	1	ring
20	04355272	1	bushing 9x13x16
21	04422335	4	spacer 17x30.5x24
22	2.0119.283.6	4	screw m 16 x 70
24	04435435	1	screw 3-PK
25	2.1120.014.2	1	nut



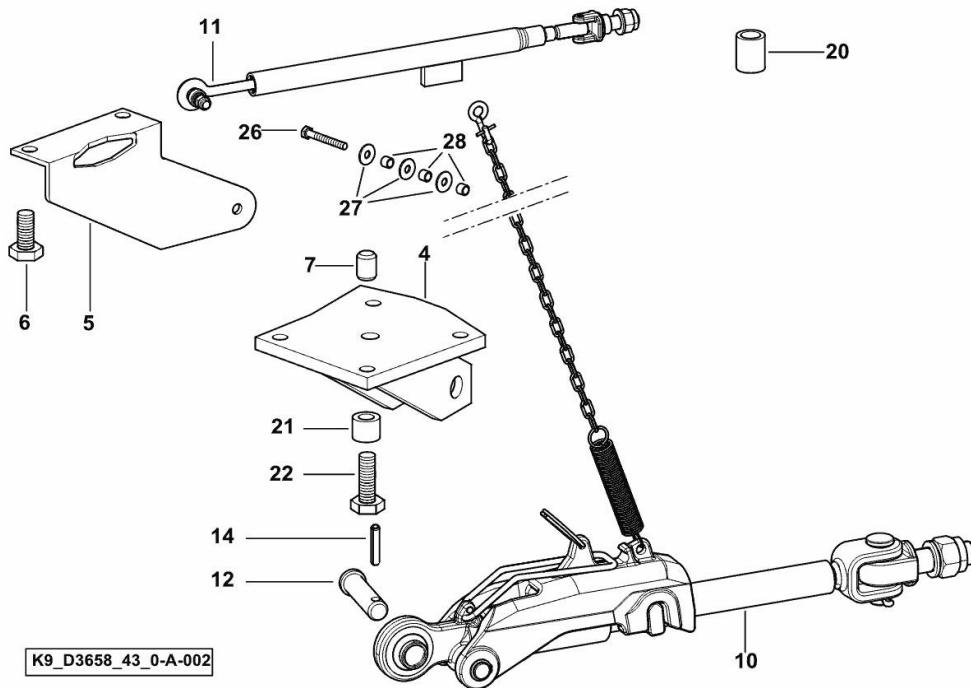
K9\_D3658\_43\_0-A-001

**THREE-POINT HITCH - AUTOMATIC LATERAL STABILIZERS - SX/LH/LI**

Fig.	P/n	QTY	Name
------	-----	-----	------

**Notes:**

- FOR TYPES W/ PICK-UP-HITCH AND ADJUSTABLE ON LH SIDE [IRON 140 DCR -> 10010 -> 30000]



4	04411063/30	1	end bracket sx/lh/li
5	04416256	1	plate
6	01112683	2	screw m 16 x 40
7	2.1659.526.6	1	cylindrical plug 20x24
10	0.015.4029.4	1	stabiliser ☞ 0.015.4029.4
11	0.015.7687.4	1	stabiliser ☞ 0.015.7687.4
12	04414819/10	1	pin
14	2.1630.818.2	1	pin 10x55
20	04355272	1	bushing 9x13x16
21	04422335	4	spacer 17x30.5x24
22	2.0119.283.6	4	screw m 16 x 70
26	2.0114.219.2	1	screw m 8 p.1.25 x 60
27	2.1312.004.2	3	washer 8x24x2
28	04451581	3	spacer 9x12x9

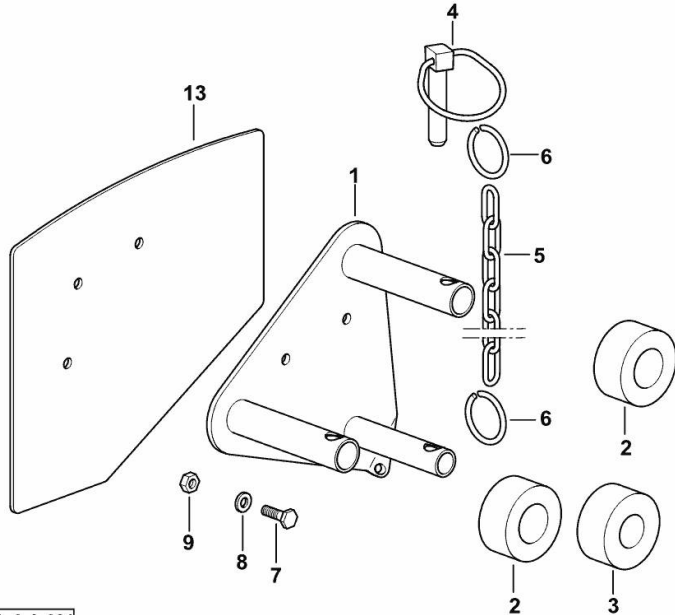
K9\_D3658\_43\_0-A-002

**RETAINER FOR COLLECTING TRAY - SX/LH/LI**

Fig.	P/n	QTY	Name
------	-----	-----	------

**Notes:**  
 FOR TYPES WITH 145 mm REAR FENDER EXTENSIONS [IRON 140 DCR -> 10010 -> 30000] 30020 <-

1	04423557.4	1	support
2	04427960	2	rubber ring Ø 26
3	04423947	1	rubber ring Ø 22
4	01124059	1	pin
5	01402736	1	chain mm 175
6	04305741	2	ring
7	2.0114.007.2	3	screw m 6 p.1 x 20
8	2.1310.002.2	3	flat washer 6.4x12.5
9	01133500	3	nut vm 6 d980
13	04436463	1	plate



K9\_95358\_70\_0-A-001

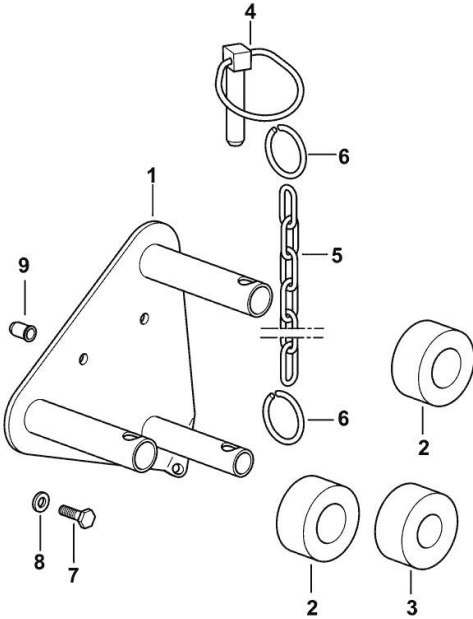
**RETAINER FOR COLLECTING TRAY - SX/LH/LI**

Fig.	P/n	QTY	Name
------	-----	-----	------

**Notes:**  
 FOR TYPES WITH 145 mm REAR FENDER EXTENSIONS [IRON 140 DCR -> 10010 -> 30000]

1	04423557.4	1	support
2	04427960	2	rubber ring Ø 26
3	04423947	1	rubber ring Ø 22
4	04311054	1	pin
5	01402736	-	chain mm 175
6	04305741	2	ring
7	2.0114.007.2	3	screw m 6 p.1 x 20
8	2.1310.002.2	3	flat washer 6.4x12.5
9	2.1142.004.2	3	insert m 6

K9\_95358\_70\_0-A-002

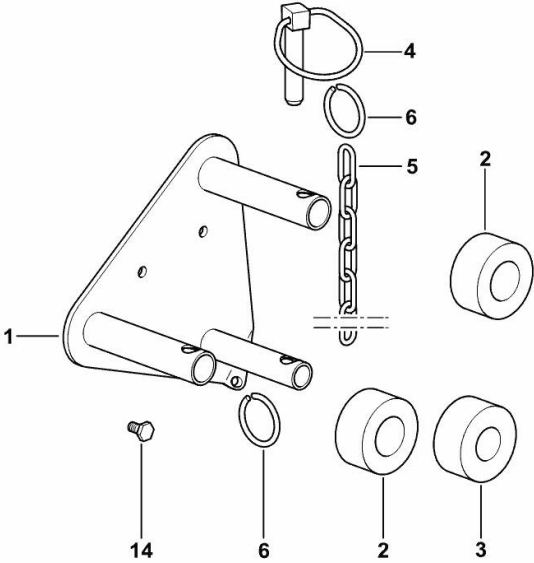


**RETAINER FOR COLLECTING TRAY**

Fig.	P/n	QTY	Name
------	-----	-----	------

**Notes:**  
 FOR TYPES WITH 250 mm REAR FENDER EXTENSIONS [IRON 140 DCR -> 10010 -> 30000] 30012 <-

1	04423557.4	1	support
2	04427960	2	rubber ring Ø 26
3	04423947	1	rubber ring Ø 22
4	01124059	1	pin
5	01402736	1	chain mm 175
6	04305741	2	ring
14	2.0114.003.2	3	screw m 6 p.1 x 12



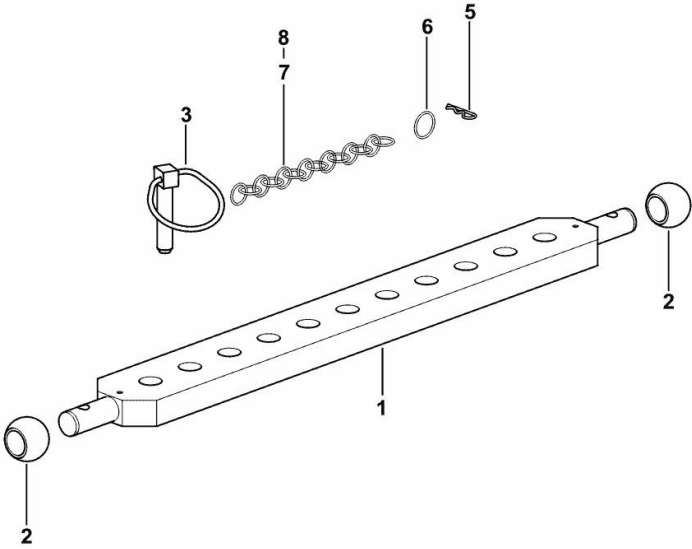
K9\_95358\_71\_0-A-001

**TOWING BAR**

Fig.	P/n	QTY	Name
------	-----	-----	------

Notes:  
 [IRON 140 DCR -> 10010 -> 30000]

1	04309365/10	1	hake bar
2	0.760.3954.0	2	cap 3 cat.
3	04315865	2	pin
5	01132654	2	split pin
6	04305741	2	ring
7	01402736	1	chain mm 175
8	01402736	1	chain mm 175



K9\_95058\_20\_0-A-001



**Suggest:**

**For more complete manuals. Please go to the home page.**

**<https://www.ebooklibonline.com>**

**If the above button click is invalid. Please download this document first, and then click the above link to download the complete manual.**

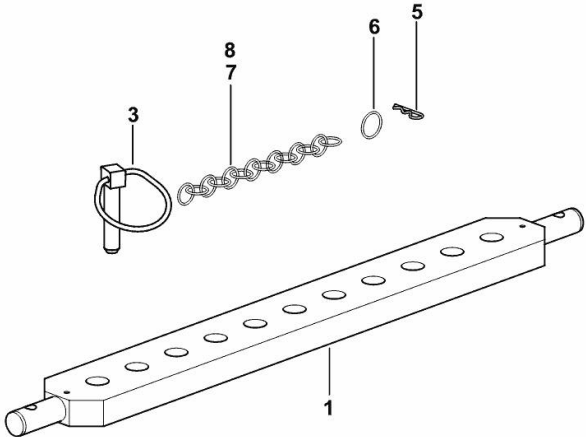
**Thank you so much for reading**

TOWING BAR

Fig.	P/n	QTY	Name
------	-----	-----	------

Notes:  
 [IRON 140 DCR -> 10010 -> 30000]

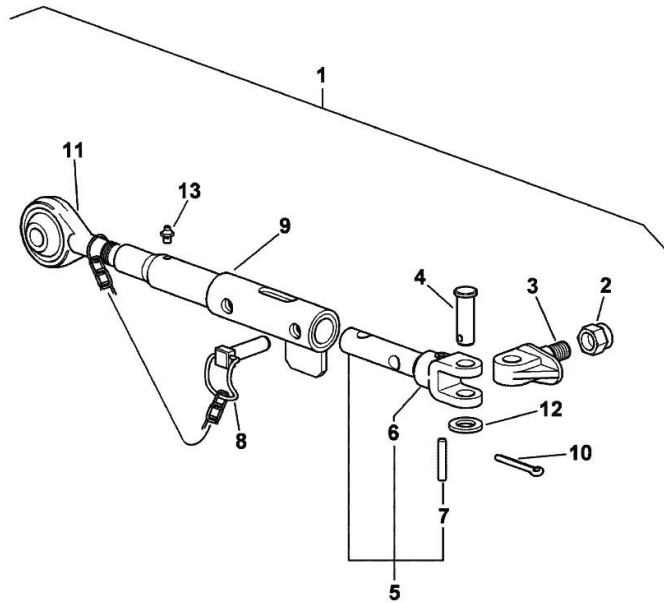
1	04309365/10	1	hake bar
3	04315865	2	pin
5	01132654	2	split pin
6	04305741	2	ring
7	01402736	1	chain mm 175
8	01402736	1	chain mm 175



K9\_95058\_20\_0-A-002

**MANUAL LATERAL STABILIZERS**

Fig.	P/n	QTY	Name
1	0.010.5222.4/80	1	stabiliser
2	2.1120.213.2	1	self-locking nut m 24 p.2
3	0.012.4092.0/10	1	pin
4	2.1679.085.2	1	pin 25x80
5	0.010.5217.3/10	1	rod
6	0.96026.53.0/20	1	fork
7	2.1630.718.2	1	pin 8x55
8	0.012.4364.4	1	chain
9	0.010.5228.2/20	1	tube
10	2.1690.513.2	1	split pin 5 x 36
11	0.010.5226.3/10	1	rod dx/rh/re
12	2.1311.014.2	1	flat washer Ø 25
13	2.3820.105.2	1	grease gun m 10 p.1 x 7



0.010.5222.4/80

**<https://www.ebooklibonline.com>**

Hello dear friend!

Thank you very much for reading.

Enter the link into your browser.

The full manual is available for immediate download.

**<https://www.ebooklibonline.com>**