

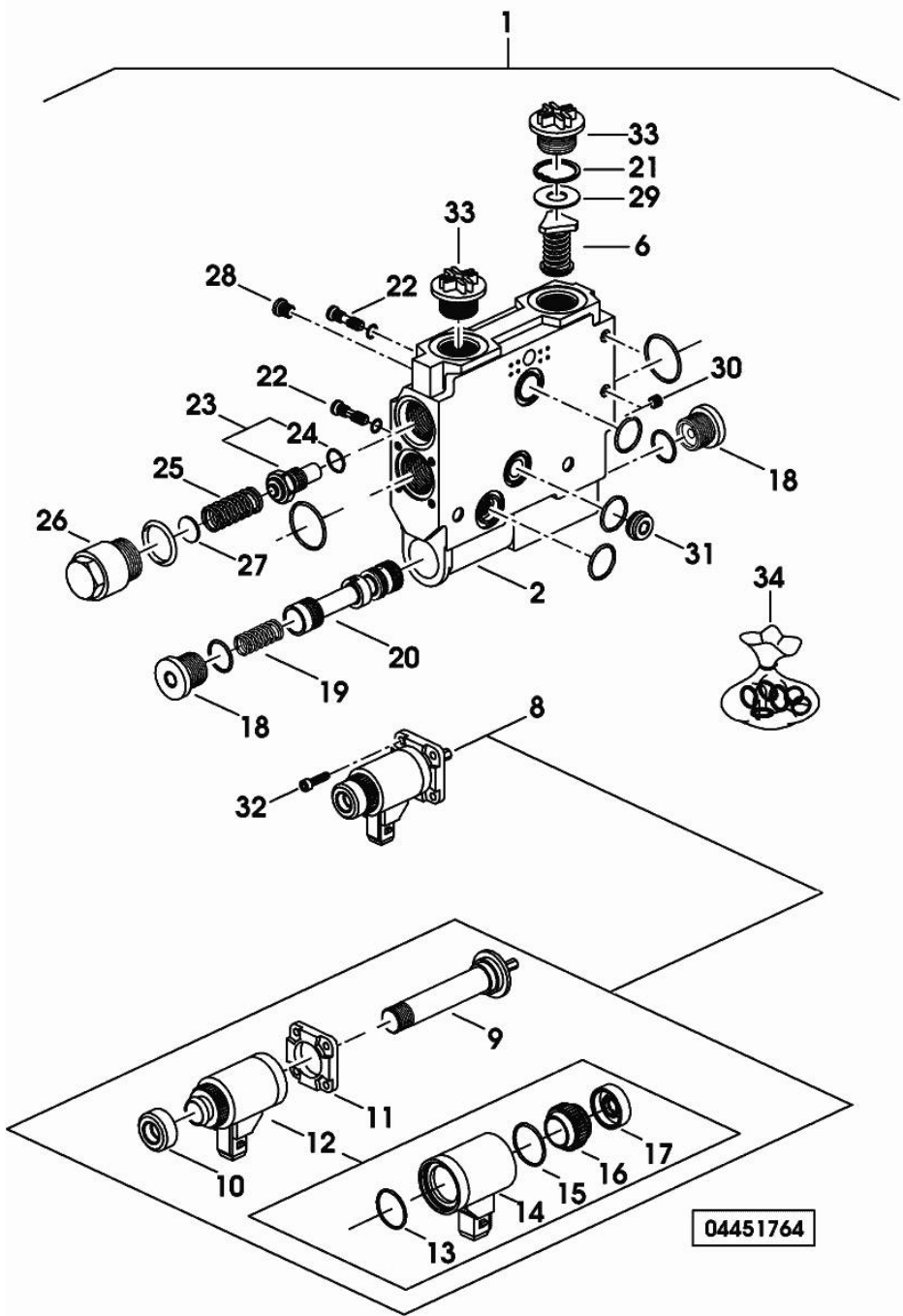
IRON 135 DCR 4V CONTINUO

Section: H0 - HYDRAULIC AND PNEUMATIC SYSTEM|

Ref: 04451764

DISTRIBUTOR PARTS

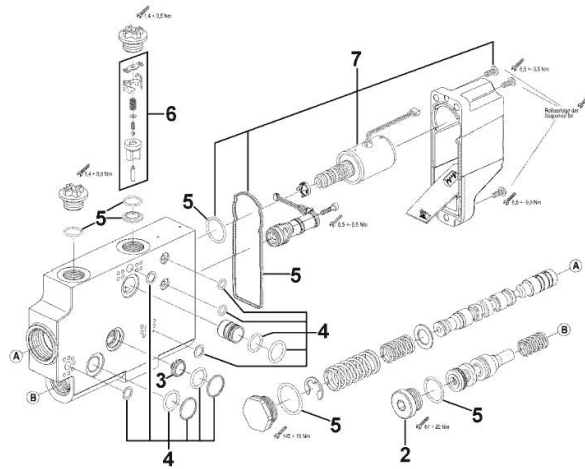
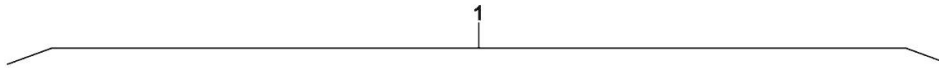
Fig.	P/n	QTY	Name
1	04451764	1	spool valve EHR 23-LS
2	0.000.0000.1	1	cannot be supplied
6	0.000.0000.1	1	cannot be supplied
8	0.010.2439.0	2	coil
9	0.000.0000.1	1	cannot be supplied
10	0.010.2439.1	1	cap
11	0.000.0000.1	1	cannot be supplied
12	04428919	1	solenoid valve
13	0.000.0000.1	1	cannot be supplied
14	0.000.0000.1	1	cannot be supplied
15	0.000.0000.1	1	cannot be supplied
16	0.000.0000.1	1	cannot be supplied
17	0.000.0000.1	1	cannot be supplied
18	04419758	2	screw
19	0.000.0000.1	1	cannot be supplied
20	0.000.0000.1	1	cannot be supplied
21	0.010.2440.1	1	circlip
22	0.000.0000.1	2	cannot be supplied
23	04418219	1	insert
24	0.010.3333.2	1	special oil seal 12x1.75
25	04418218	1	spring
26	04427656	1	screw
27	2.3719.040.1	1	shoulder ring 0.5
28	0.000.0000.1	1	cannot be supplied
29	0.000.0000.1	1	cannot be supplied
30	0.000.0000.1	1	cannot be supplied
31	04418197	1	valve
32	01126909	8	screw m 4 x 8
33	0.010.3139.0	2	cap
34	0.010.3529.2	1	gasket set



04451764

RELAY VALVE

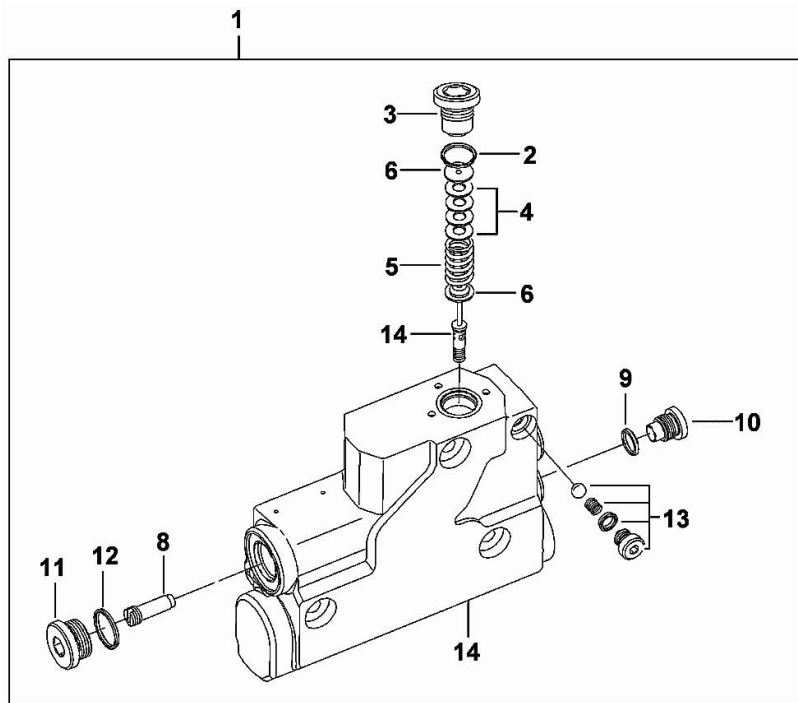
Fig.	P/n	QTY	Name
1	2.3729.005.0	1	spool valve EHS1
2	0.900.2074.6	1	plug m22x1,5
3	0.900.2126.7	1	valve
4	0.900.2074.8	1	gasket set
5	0.900.2074.9	1	gasket set
6	0.900.2075.0	1	accessories
7	0.900.2075.1	1	spare parts kit



2.3729.005.0

DISTRIBUTOR PARTS

Fig.	P/n	QTY	Name
1	2.3729.012.0	1	plate EHS
2	0.010.2582.1	1	special oil seal 16.56x1.78
3	0.010.3141.1	1	plug
4	0.010.3141.2	1	washer
5	0.010.3142.0	1	spring
6	0.010.3142.1	1	cap-washer
8	0.010.3142.2	1	filter
9	0.010.3143.0	1	gasket
10	0.010.3143.1	1	plug
11	0.010.2436.1	1	plug
12	0.010.3143.2	1	gasket
13	0.010.2584.1	1	accessories
14	0.000.0000.1		cannot be supplied



2_3729_012_0

<https://www.ebooklibonline.com>

Hello dear friend!

Thank you very much for reading.

Enter the link into your browser.

The full manual is available for immediate download.

<https://www.ebooklibonline.com>

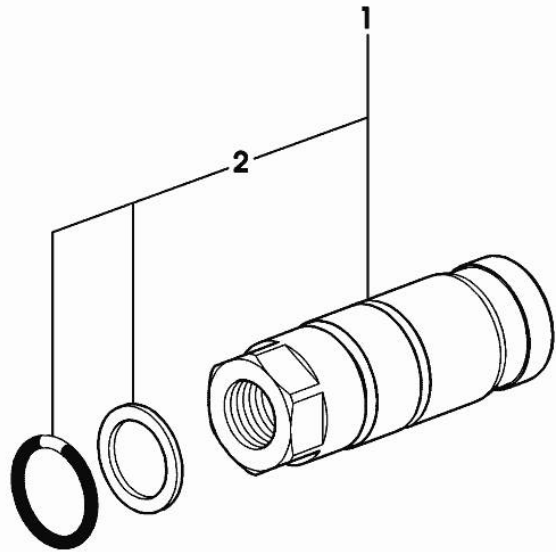
IRON 135 DCR 4V CONTINUO

Section: H0 - HYDRAULIC AND PNEUMATIC SYSTEM|

Ref: 2.3729.560.2

ENGAGEMENT

Fig.	P/n	QTY	Name
1	2.3729.560.2	1	coupling 3/8
2	0.900.0389.1	1	special oil seal



2_3729_560_2

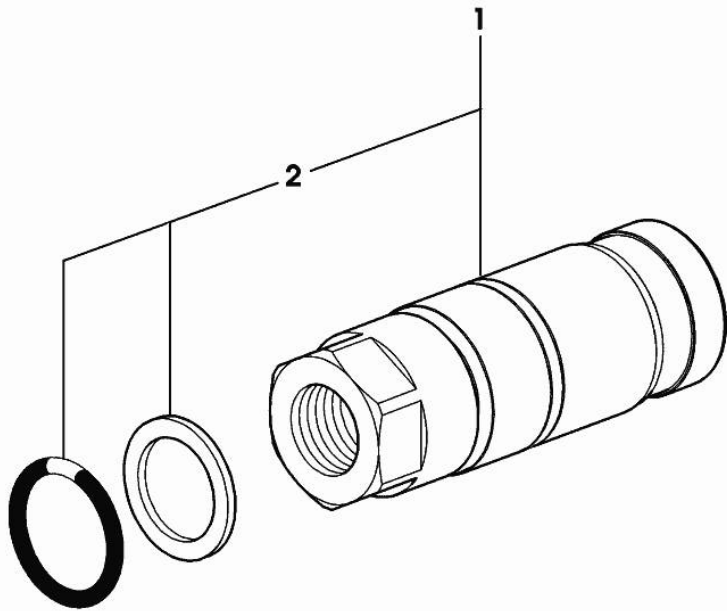
IRON 135 DCR 4V CONTINUO

Section: H0 - HYDRAULIC AND PNEUMATIC SYSTEM|

Ref: 2.3729.570.2

ENGAGEMENT

Fig.	P/n	QTY	Name
1	2.3729.570.2	1	coupling 3/4
2	0.900.0389.0	1	special oil seal



2_3729_570_2

IRON 135 DCR 4V CONTINUO

Section: H0 - HYDRAULIC AND PNEUMATIC SYSTEM]

Ref: H0.09.0 (1)

FRONT BRAKING SYSTEM

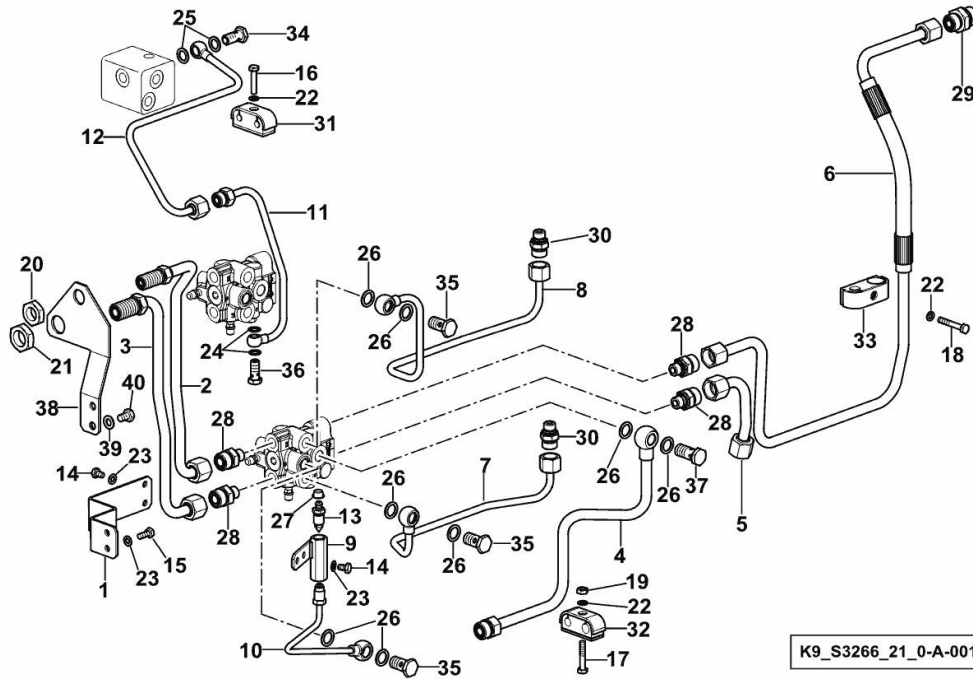


Fig.	P/n	QTY	Name
------	-----	-----	------

Notes:
[IRON 135 DCR 4V CONTINUO]

1	0.018.4114.0	1	bracket
2	0.018.4115.3/10	1	tube
3	0.018.4116.3	1	tube
4	0.018.4126.3/10	1	tube
5	0.018.4131.3	1	tube
6	0.018.4134.3	1	tube
7	0.018.4135.3	1	tube
8	0.018.4136.3	1	tube
9	0.018.4140.3	1	pipe fitting
10	0.018.4146.3	1	tube
11	0.018.4147.3	1	tube
12	0.018.4161.3	1	tube
13	0.170.5455.0	1	valve
14	2.0112.002.2	4	screw m 6 p.1 x 10
15	2.0112.005.2	2	screw m 6 p.1 x 16
16	2.0112.011.2	1	screw m 6 p.1x30
17	2.0112.013.2	1	screw m 6 p.1 x 35
18	2.0112.015.2	1	screw m 6 p.1x40
19	2.1011.103.2	1	nut m 6 p.1
20	2.1019.169.2	1	nut 11/16 "-16 UN-2B
21	2.1019.170.2	1	nut 13/16 "-16 UN-2B
22	2.1470.002.2	3	lock washer 6
23	2.1475.001.7	6	washer 6.4x12
24	2.1560.005.0	2	copper gasket 10.2 x 14
25	2.1560.008.0	2	gasket 12.2 x 18
26	2.1560.010.0	8	gasket 14.2 x 20
27	2.3199.039.0	1	plug
28	2.3249.313.2	4	pipe fitting m 14 p.1.5-13/16
29	2.3249.488.2	1	pipe fitting m 22 p.1.5
30	2.3275.005.0	2	pipe fitting m14x1.5
31	2.3320.202.0	1	clamp Ø 8/8
32	2.3320.207.0	1	clamp Ø 10/12
33	2.3320.314.0	1	clamp Ø 12/20
34	2.3335.005.2	1	pipe union m 12 p.1.5 x 24
35	2.3335.006.2	3	pipe union m 14 p.1.5X26
36	2.3335.051.2	1	pipe union
37	2.3335.053.2	1	pipe union m 14 p.1.5x32
38	0.018.3394.0/10	1	bracket
39	2.1475.002.2	2	conical washer 8
40	2.0112.203.2	2	screw m 8 p.1.25 x 12

IRON 135 DCR 4V CONTINUO

Section: H0 - HYDRAULIC AND PNEUMATIC SYSTEM]

Ref: H0.09.1 (1)

FRONT BRAKING SYSTEM

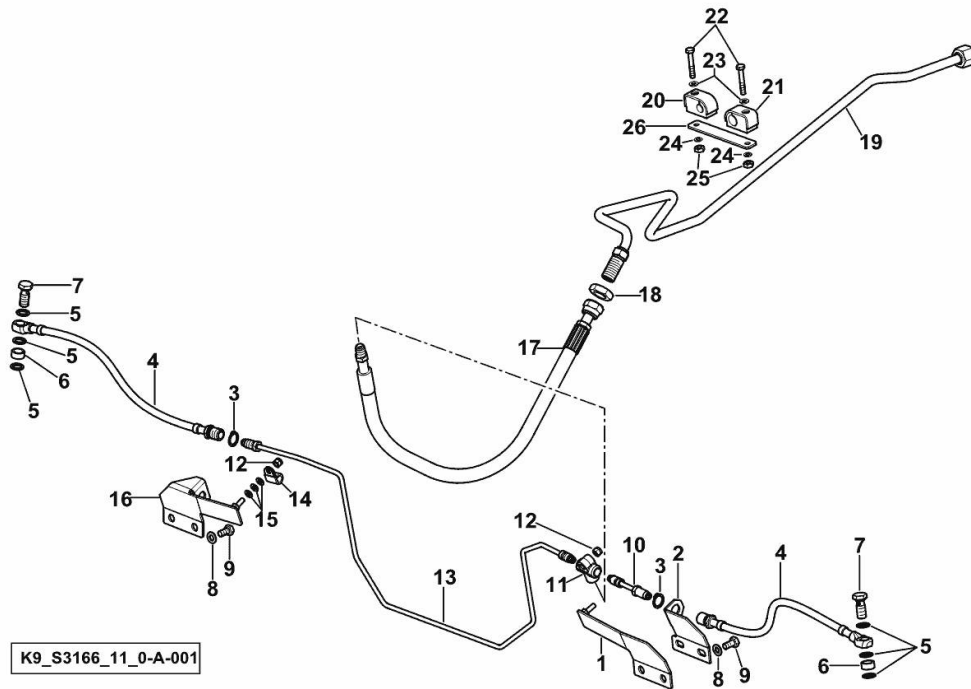


Fig.	P/n	QTY	Name
------	-----	-----	------

Notes:

[IRON 135 DCR 4V CONTINUO] 10021 <-

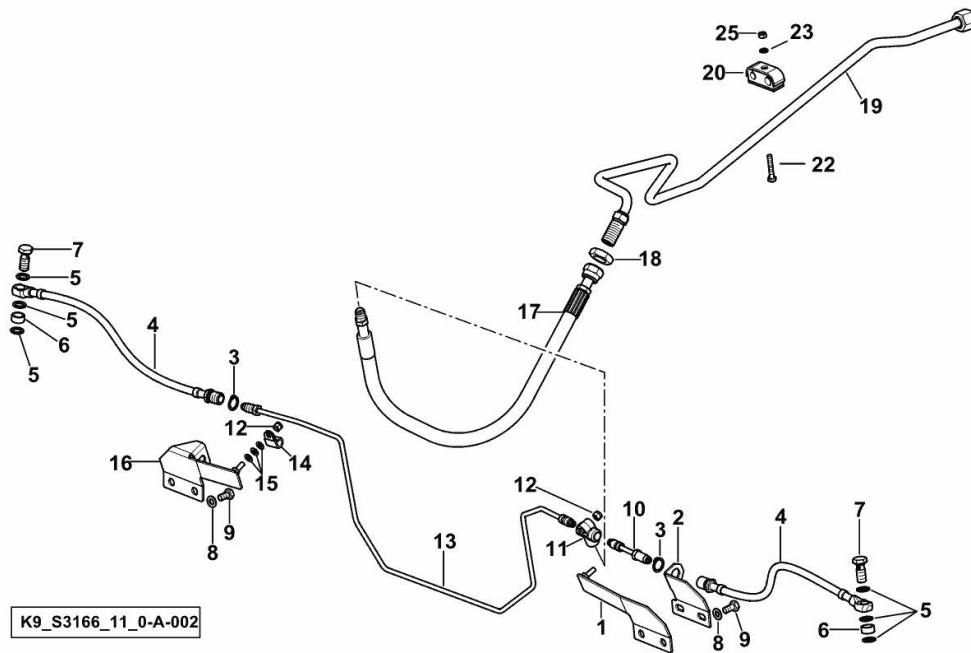
1	04453771.3	1	support sx/lh/li
2	04453773	1	support sx/lh/li
3	2.1410.004.2	2	circlip 16
4	0.016.5055.3	2	tube
5	2.1560.008.0	6	gasket 12.2 x 18
6	2.1579.765.2/10	2	spacer 12.5 x 18 x 8.0
7	2.3339.361.2/10	2	pipe union m 12 p.1.25 x 28
8	2.1310.004.2	4	flat washer 8.4x17
9	2.0112.205.2	4	screw m 8 p.1.25 x 16
10	04453781	1	tube
11	03499196	1	pipe fitting T
12	2.1120.003.2	2	self-locking nut m 6
13	0.016.5073.3	1	tube
14	01171262	1	fascia b 6x15 h3223
15	2.1311.004.2	3	flat washer 6, d128
16	0.016.5061.3	1	bracket
17	0.018.1969.3/10	1	tube mm 510
18	2.1019.169.2	1	nut 11/16 "-16 UN-2B
19	0.018.6225.3	1	tube
20	2.3320.105.0	1	collar Ø 12 -B-
21	2.3320.108.0	1	terminal
22	2.0112.015.2	2	screw m 6 p.1x40
23	2.1310.002.2	2	flat washer 6.4x12.5
24	2.1470.002.2	2	lock washer 6
25	2.1011.103.2	2	nut m 6 p.1
26	0.018.2781.0	1	bracket

IRON 135 DCR 4V CONTINUO

Section: H0 - HYDRAULIC AND PNEUMATIC SYSTEM]

Ref: H0.09.1 (2)

FRONT BRAKING SYSTEM



K9_S3166_11_0-A-002

Fig.	P/n	QTY	Name
------	-----	-----	------

Notes:

[IRON 135 DCR 4V CONTINUO]

1	04453771.3	1	support sx/lh/li
2	04453773	1	support sx/lh/li
3	2.1410.004.2	2	circlip 16
4	0.016.5055.3	2	tube
5	2.1560.008.0	6	gasket 12.2 x 18
6	2.1579.765.2/10	2	spacer 12.5 x 18 x 8.0
7	2.3339.361.2/10	2	pipe union m 12 p.1.25 x 28
8	2.1310.004.2	4	flat washer 8.4x17
9	2.0112.205.2	4	screw m 8 p.1.25 x 16
10	04453781	1	tube
11	03499196	1	pipe fitting T
12	2.1120.003.2	2	self-locking nut m 6
13	0.016.5073.3	1	tube
14	01171262	1	fascia b 6x15 h3223
15	2.1311.004.2	3	flat washer 6, d128
16	0.016.5061.3	1	bracket
17	0.018.1969.3/10	1	tube mm 510
18	2.1019.169.2	1	nut 11/16 "-16 UN-2B
19	0.018.6225.3	1	tube
20	2.3320.207.0	1	clamp Ø 10/12
22	2.0112.015.2	1	screw m 6 p.1x40
23	2.1310.002.2	1	flat washer 6.4x12.5
25	2.1011.103.2	2	nut m 6 p.1

IRON 135 DCR 4V CONTINUO

Section: H0 - HYDRAULIC AND PNEUMATIC SYSTEM]

Ref: H0.09.2 (1)

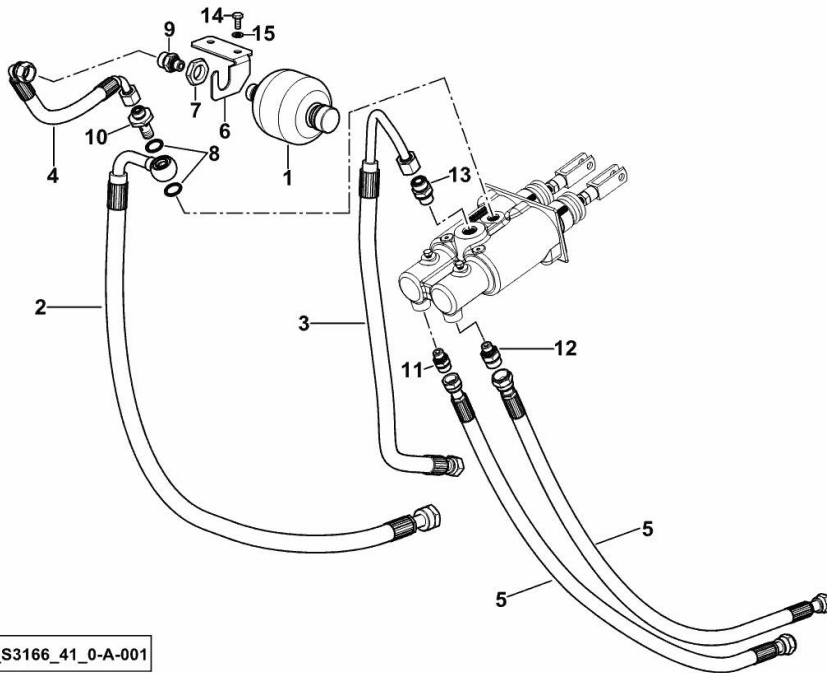
BRAKING SYSTEM

Fig.	P/n	QTY	Name
------	-----	-----	------

Notes:

[IRON 135 DCR 4V CONTINUO] 10010 <-

1	0.015.2357.0/10	1	accumulator
2	0.018.3506.3	1	tube
3	0.018.3521.3/10	1	tube
4	0.018.3522.3	1	tube
5	0.018.3525.3	2	tube
6	0.018.3532.0	1	bracket
7	2.1019.145.2	1	nut m 22
8	2.1531.048.0	2	oil seal 18.72x2.62
9	2.3249.313.2	1	pipe fitting m 14 p.1.5-13/16
10	2.3249.524.2	1	pipe fitting m 14
11	2.3275.005.0	1	pipe fitting m14x1.5
12	2.3275.009.0	1	pipe fitting m 14
13	2.3275.011.0	1	pipe fitting m 18
14	2.0112.305.2	2	screw m 10 p.1.5 x 16
15	2.1475.003.2	2	washer 10



K9_S3166_41_0-A-001



Suggest:

For more complete manuals. Please go to the home page.

<https://www.ebooklibonline.com>

If the above button click is invalid. Please download this document first, and then click the above link to download the complete manual.

Thank you so much for reading

IRON 135 DCR 4V CONTINUO

Section: H0 - HYDRAULIC AND PNEUMATIC SYSTEM]

Ref: H0.09.2 (2)

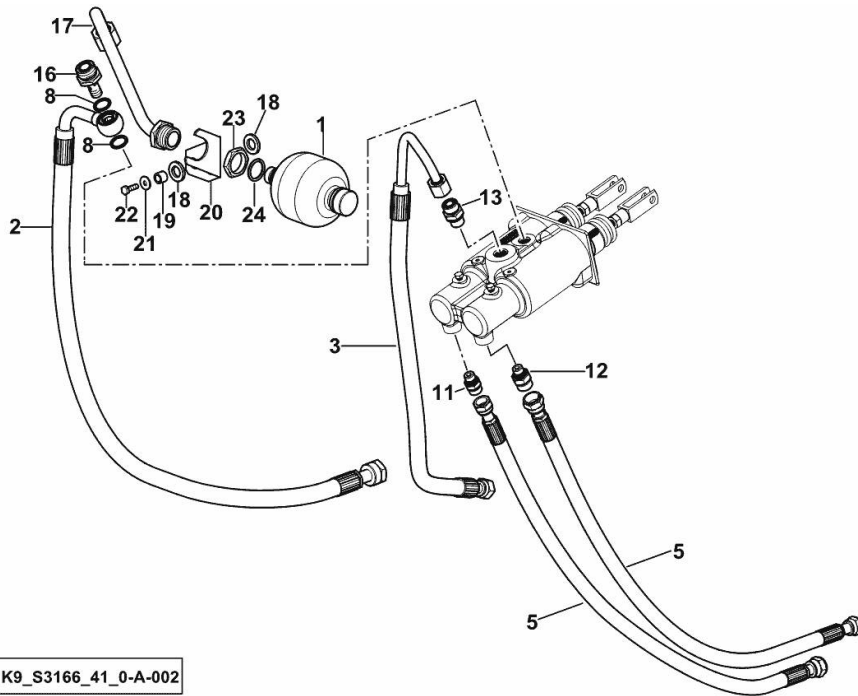
BRAKING SYSTEM

Fig.	P/n	QTY	Name
------	-----	-----	------

Notes:

[IRON 135 DCR 4V CONTINUO] -> 10011

1	0.015.2357.0/10	1	accumulator
2	0.018.3506.3	1	tube
3	0.018.3521.3/10	1	tube
5	0.018.3525.3	2	tube
8	2.1531.048.0	2	oil seal 18.72x2.62
11	2.3275.005.0	1	pipe fitting m14x1.5
12	2.3275.009.0	1	pipe fitting m 14
13	2.3275.011.0	1	pipe fitting m 18
16	2.3249.572.2	1	pipe fitting m14x1.5
17	0.018.6820.3	1	tube
18	2.6560.004.0	2	wire guide
19	2.1549.598.2	2	spacer 10x7x6.5
20	0.018.6894.2/10	1	bracket
21	2.1312.003.2	2	washer 6
22	2.0112.005.2	2	screw m 6 p.1 x 16
23	2.1019.091.2	1	special nut m 30 p.1.5x8
24	2.1561.012.0	1	gasket



K9_S3166_41_0-A-002

IRON 135 DCR 4V CONTINUO

Section: H0 - HYDRAULIC AND PNEUMATIC SYSTEM]

Ref: H0.09.3 (1)

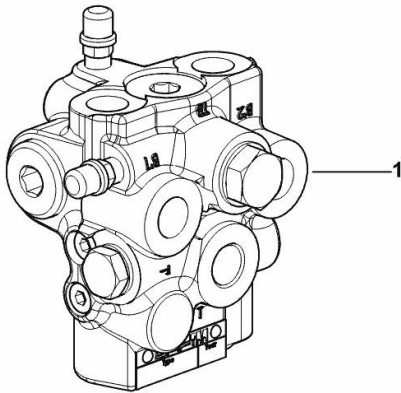
BRAKES CONTROL VALVE

Fig.	P/n	QTY	Name
------	-----	-----	------

Notes:

[IRON 135 DCR 4V CONTINUO]

1	2.3729.728.0	1	valve ☞ 2.3729.728.0
---	--------------	---	-------------------------



K9_J5966_20_0-A-001

<https://www.ebooklibonline.com>

Hello dear friend!

Thank you very much for reading.

Enter the link into your browser.

The full manual is available for immediate download.

<https://www.ebooklibonline.com>