

IRON 125 HI-LINE DCR ->ZKDL440200TS15001

Section: B0 - ENGINE

Ref: B0.01.3

SERIE GUARNIZIONI

Fig.	P/n	QTY	Name
------	-----	-----	------

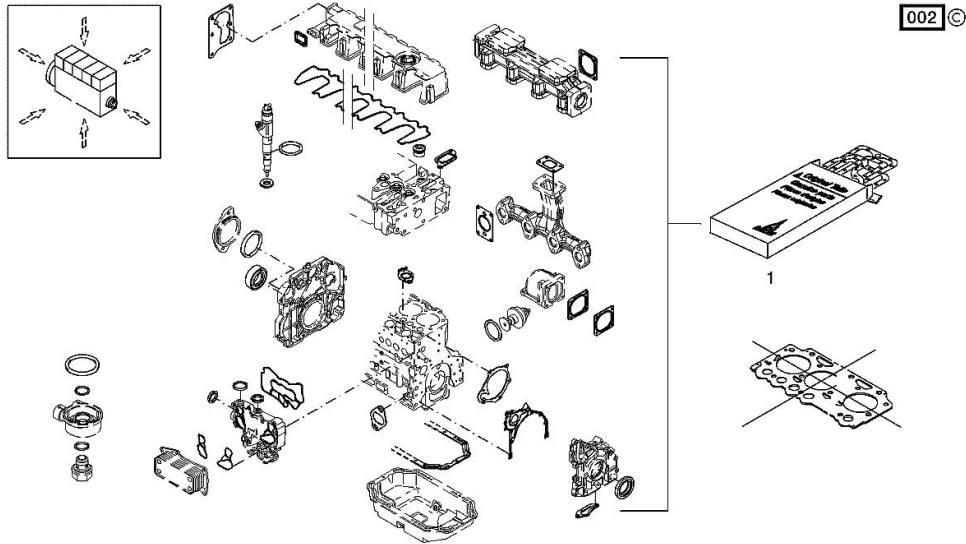
Notes:

[IRON 125 DCR HI-LINE ->ZKDL440200TS15001]

Engine serial number:

10674523 10674530 10684366 10714070 10727794 10750958 10777597 10792120 10795978 10795982 10807045
 10808681 10821657 10853481 10876581 10877390 10877391 10883717 10889215 10891943 10902707 10932445
 10949942 10961578 11159707 11159718

1	02937587	1	gasket set THE KIT DOES NOT CONTAIN ALL THE GASKETS: SEE SM 0199-99-9449
---	----------	---	--



BLEEDING TUBE

Fig.	P/n	QTY	Name
------	-----	-----	------

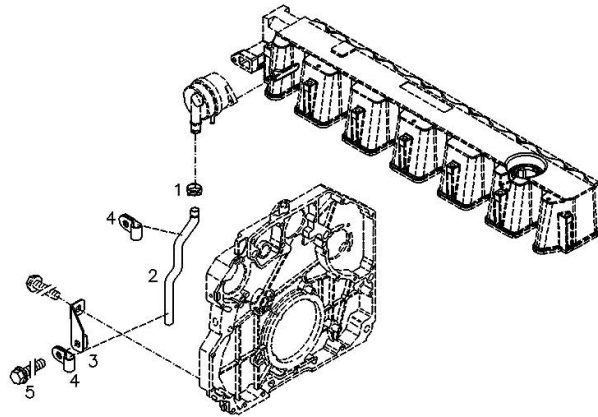
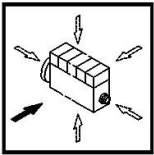
Notes:

[IRON 125 DCR HI-LINE ->ZKDL440200TS15001]

Engine serial number:

10674523 10674530 10684366

1	01178750	1	clamp DIN 3021 -A-29X15
2	04290751	1	tube
3	04291288	1	bracket
4	01173523	2	fascia DIN 3016 -1-A1-25X20-W1-2
5	01181433	2	screw EN 1662 -F-M8X20-LG2,5-10.9-ZNAL-A



000 ©

IRON 125 HI-LINE DCR ->ZKDL440200TS15001

Section: B0 - ENGINE

Ref: B0.01.8

BLEEDING TUBE

Fig.	P/n	QTY	Name
------	-----	-----	------

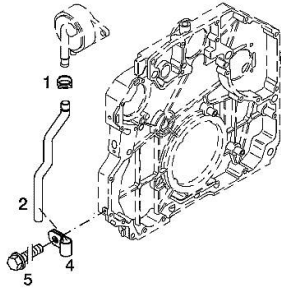
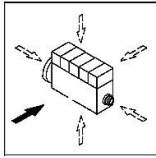
Notes:

[IRON 125 DCR HI-LINE ->ZKDL440200TS15001]

Engine serial number:

10714070 10727794 10750958 10777597 10792120 10795978 10795982 10807045 10808681 10821657 10853481
10876581 10877390 10877391 10883717 10889215 10891943 10902707 10932445 10949942 10961578 11152807
11152808 11159707 11159718

1	01178750	1	clamp DIN 3021 -A-29X15
2	04290751	1	tube
4	01173523	1	fascia DIN 3016 -1-A1-25X20-W1-2
5	01181433	1	screw EN 1662 -F-M8X20-LG2,5-10.9-ZNAL-A



<https://www.ebooklibonline.com>

Hello dear friend!

Thank you very much for reading.

Enter the link into your browser.

The full manual is available for immediate download.

<https://www.ebooklibonline.com>

IRON 125 HI-LINE DCR ->ZKDL440200TS15001

Section: B0 - ENGINE

Ref: B0.01.9

ACCESSORIES

Fig.	P/n	QTY	Name
------	-----	-----	------

Notes:

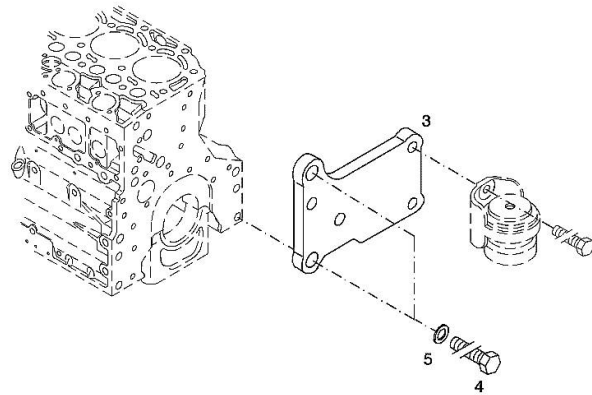
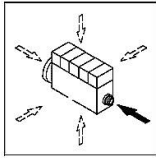
[IRON 125 DCR HI-LINE ->ZKDL440200TS15001]

Engine serial number:

10674523 10674530 10684366 10714070 10727794 10750958 10777597 10792120 10795978 10795982 10807045
 10808681 10821657 10853481 10876581 10877390 10877391 10883717 10889215 10891943 10902707 10932445
 10949942 10961578 11152807 11152808 11159707 11159718

3	04288659	1	support
4	01148261	2	screw ISO 4017 -M16X40-10.9-ZNAL-A
5	01181400	2	washer H 2308 -18X25X1,5-A4C

006 ©



IRON 125 HI-LINE DCR ->ZKDL440200TS15001

Section: B0 - ENGINE

Ref: B0.01.10

ACCESSORIES

Fig.	P/n	QTY	Name
------	-----	-----	------

Notes:

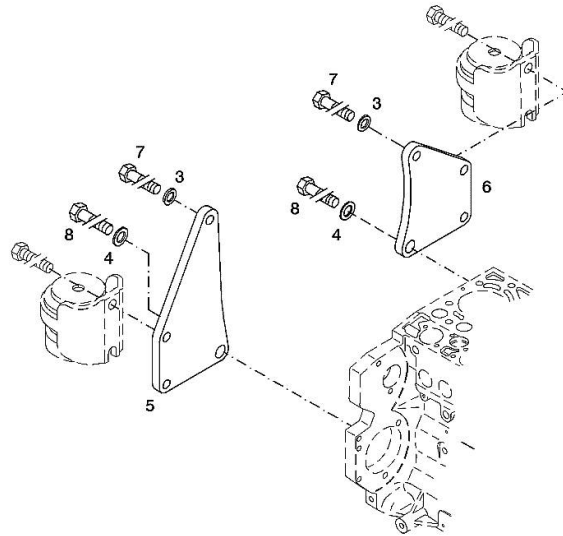
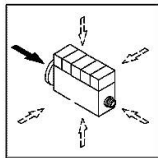
[IRON 125 DCR HI-LINE ->ZKDL440200TS15001]

Engine serial number:

10674523 10674530 10684366 10714070 10727794 10750958 10777597 10792120 10795978 10795982 10807045
 10808681 10821657 10853481 10876581 10877390 10877391 10883717 10889215 10891943 10902707 10932445
 10949942 10961578 11152807 11152808 11159707 11159718

003 ©

3	01182016	2	disc H 2308 -13X24X3-ZNAL-A
4	01181400	2	washer H 2308 -18X25X1,5-A4C
5	04206926	1	plate dx/rh/re
6	04206927	1	plate sx/lh/li
7	01148137	2	screw - UP TO MONTH OF ASSEMBLY (A) - FROM MONTH OF ASSEMBLY SEE POS. (B) A = 06.2009 B = POS. 950 DIN 931 -M12X75-10.9-ZNAL-A
8	01148037	2	screw UP TO MONTH OF ASSEMBLY (A) - FROM MONTH OF ASSEMBLY SEE POS. (B) A = 06.2009 B = POS. 951 ISO 4014 -M16X75-10.9-OELGESCHW
950	01149017	2	screw - FROM MONTH OF ASSEMBLY SEE POS. (B) - UP TO MONTH OF ASSEMBLY (A) FROM MONTH OF ASSEMBLY A = 07.2009 B = 7 DIN 34800 -BM12X75-10.9-ZNAL-A
951	01180235	2	screw - FROM MONTH OF ASSEMBLY SEE POS. (B) - UP TO MONTH OF ASSEMBLY (A) FROM MONTH OF ASSEMBLY A = 07.2009 B= Pos.8 H 2032 -HBM16X75-10.9-GESCHW



IRON 125 HI-LINE DCR ->ZKDL440200TS15001

Section: B0 - ENGINE

Ref: B0.01.11

OIL FILLER NECK

Fig.	P/n	QTY	Name
------	-----	-----	------

Notes:

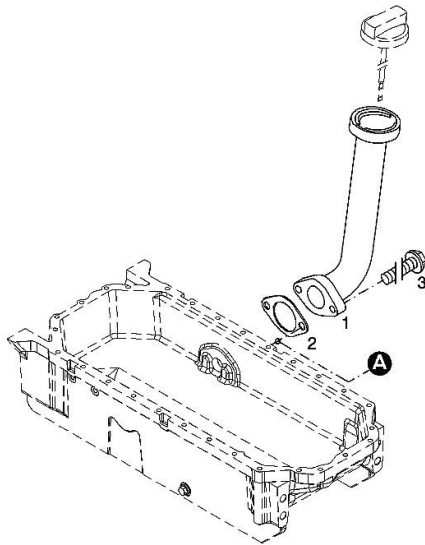
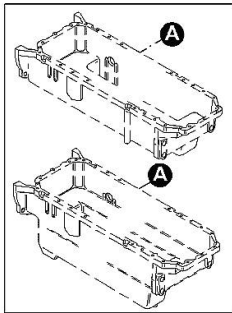
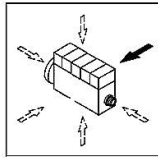
[IRON 125 DCR HI-LINE ->ZKDL440200TS15001]

Engine serial number:

10674523 10674530 10684366 10714070 10727794 10750958 10777597 10792120 10795978 10795982 10807045
 10808681 10821657 10853481 10876581 10877390 10877391 10883717 10889215 10891943 10902707 10932445
 10949942 10961578 11152807 11152808 11159707 11159718

1	04207099	1	tube
2	01178421	1	gasket
3	01181433	2	screw
			30 Nm

001 ©



IRON 125 HI-LINE DCR ->ZKDL440200TS15001

Section: B0 - ENGINE

Ref: B0.01.12

CRANKCASE BREATHER

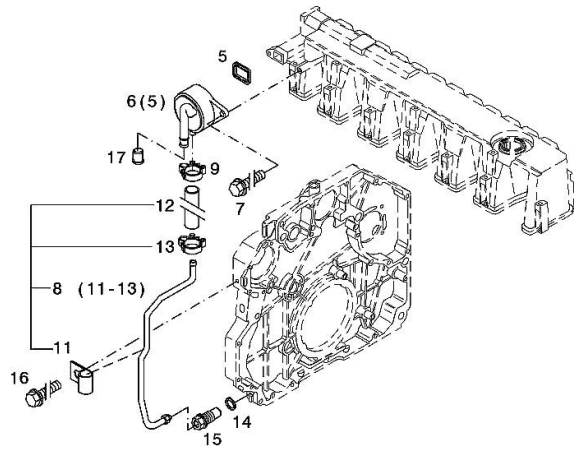
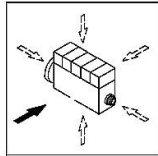
Fig.	P/n	QTY	Name
------	-----	-----	------

Notes:

[IRON 125 DCR HI-LINE ->ZKDL440200TS15001]

Engine serial number:

10674523 10674530 10684366 10714070 10727794 10750958 10777597 10792120 10795978 10795982 10807045
 10808681 10821657 10853481 10876581 10877390 10877391 10883717 10889215 10891943 10902707 10932445
 10949942 10961578 11152807 11152808 11159707 11159718



002 ©

5	04298547	1	rubber plug
6	04905110	1	breather WITH POS.... (5)
7	01181432	2	screw m8x30 EN 1662 -F-M8X30-10.9-ZNAL-A
8	04504876	1	tube WITH POS.... 11-13
9	01182878	1	fascia H 3461 -F-13,0/8
11	02144961	1	fascia
12	04288507	1	rubber tube H 3407 -F8X14X57-EAM/ARAMID/EAM
13	01182878	1	fascia H 3461 -F-13,0/8
14	01118737	1	oil seal 22 x 27 DIN 7603 -A22X27-CU
15	04505853	1	pipe union
16	01181442	1	screw m6x12 EN 1662 -F-M6X12-10.9-ZNAL-A
17	01161302	1	bottom H 2873 -A25,5X22,8X17-PEWEICH

IRON 125 HI-LINE DCR ->ZKDL440200TS15001

Section: B0 - ENGINE

Ref: B0.01.14

ACCESSORIES

Fig.	P/n	QTY	Name
------	-----	-----	------

Notes:

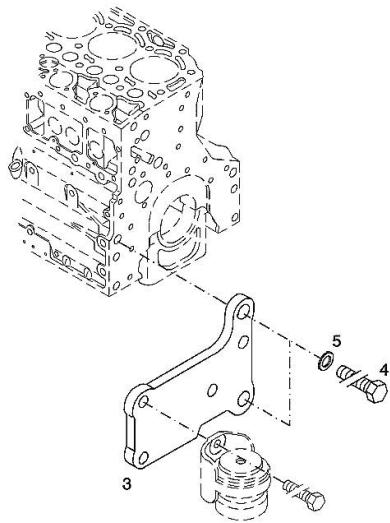
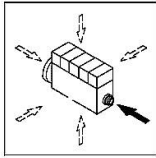
[IRON 125 DCR HI-LINE ->ZKDL440200TS15001]

Engine serial number:

10674523 10674530 10684366 10714070 10727794 10750958 10777597 10792120 10795978 10795982 10807045
 10808681 10821657 10853481 10876581 10877390 10877391 10883717 10889215 10891943 10902707 10932445
 10949942 10961578 11152807 11152808 11159707 11159718

3	04288660	1	support
4	01148261	2	screw ISO 4017 -M16X40-10.9-ZNAL-A
5	01181400	2	washer H 2308 -18X25X1,5-A4C

003 ©



IRON 125 HI-LINE DCR ->ZKDL440200TS15001

Section: B0 - ENGINE

Ref: B0.01.15

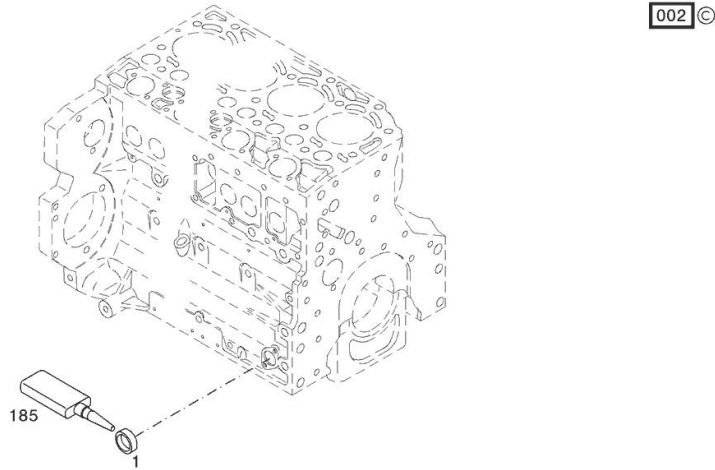
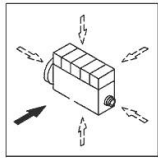
PLUG

Fig.	P/n	QTY	Name
------	-----	-----	------

Notes:

[IRON 125 DCR HI-LINE ->ZKDL440200TS15001]

1	01148031	1	plug DIN 443 -A36-ZNPHR
185	01319911	1	sealing compound ml. 50



IRON 125 HI-LINE DCR ->ZKDL440200TS15001

Section: B0 - ENGINE

Ref: B0.01.16

FILLER CAP

Fig.	P/n	QTY	Name
------	-----	-----	------

Notes:

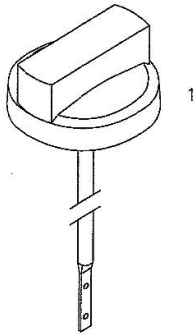
[IRON 125 DCR HI-LINE ->ZKDL440200TS15001]

Engine serial number:

10674523 10674530 10684366 10714070 10727794 10750958 10777597 10792120 10795978 10795982 10807045
10808681 10821657 10853481 10876581 10877390 10877391 10883717 10889215 10891943 10902707 10932445
10949942 10961578 11152807 11152808 11159707 11159718

1	01180286	1	plug H 2875 -B2-OL40-166X4-130X12
---	----------	---	--------------------------------------

000



0507 1178

IRON 125 HI-LINE DCR ->ZKDL440200TS15001

Section: B0 - ENGINE

Ref: B0.01.17

PISTON COOL.NOZZLE

Fig.	P/n	QTY	Name
------	-----	-----	------

Notes:

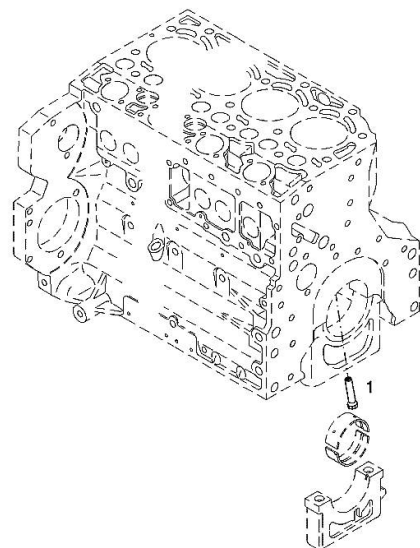
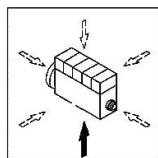
[IRON 125 DCR HI-LINE ->ZKDL440200TS15001]

Engine serial number:

10674523 10674530 10684366 10714070 10727794 10750958 10777597 10792120 10795978 10795982 10807045
10808681 10821657 10853481 10876581 10877390 10877391 10883717 10889215 10891943 10902707 10932445
10949942 10961578 11152807 11152808 11159707 11159718

1	04207521	1	sprayers
---	----------	---	----------

001 ©



IRON 125 HI-LINE DCR ->ZKDL440200TS15001

Section: B0 - ENGINE

Ref: B0.01.19

KURBELGEHAEUSE

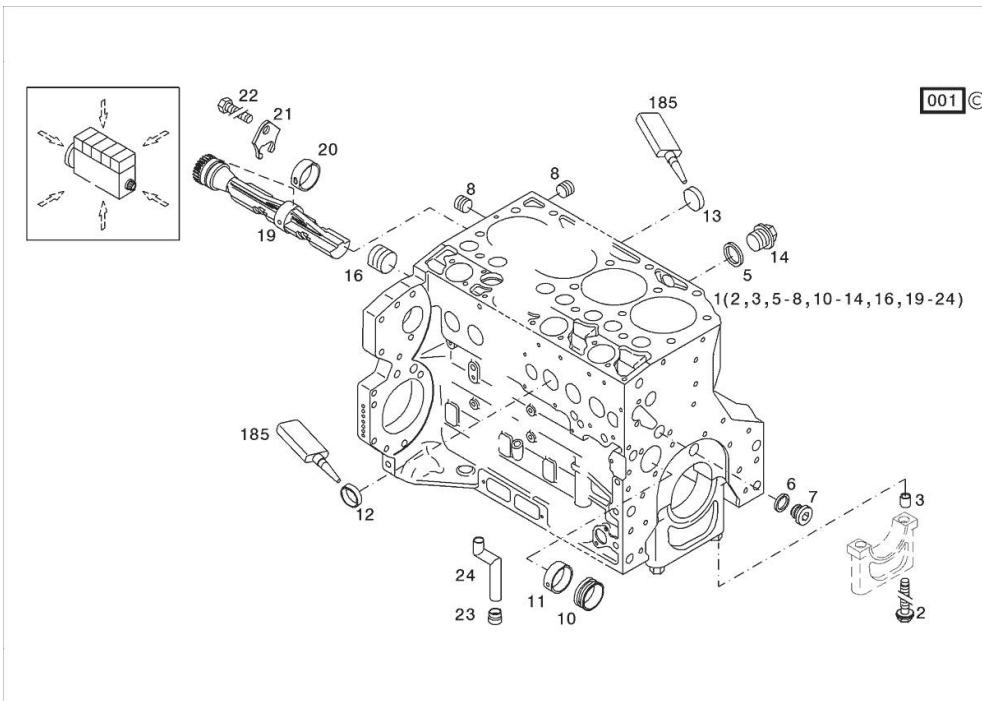
Fig.	P/n	QTY	Name
------	-----	-----	------

Notes:

[IRON 125 DCR HI-LINE ->ZKDL440200TS15001]

Engine serial number:

10674523 10674530 10684366 10714070 10727794 10750958 10777597 10792120 10795978 10795982 10807045
 10808681 10821657 10853481 10876581 10877390 10877391 10883717 10889215 10891943 10902707 10932445
 10949942 10961578



185	01319910	1	guard
1	04297345	1	crankcase MIT POS.... (2,3,5-8,10-14,16,19-24)
2	04254240	10	screw 50 Nm , 90° , 90°
3	04160764	10	bushing
5	01118693	2	gasket 14x20 DIN 7603 -A14X20-CU
6	01101342	1	oil seal DIN 7603 -D22X27-CU
7	04292706	1	plug 80 Nm
8	01182031	2	screw 35 Nm H 2812 -906-M14X1,5-ST-A3C-LOCTITE506
10	04251884	4	plug
11	04250086	1	ring
12	01148032	6	cover DIN 443 -A45-ZNPHR
13	01148031	4	plug DIN 443 -A36-ZNPHR
14	01100940	2	screw 35 Nm DIN 7604 -AM14X1,5-ST-A4C
16	04226536	1	bottom 30 Nm
19	04298246	2	shaft
20	04252834	4	bush
21	04251810	2	plug
22	01181672	2	nut 29 Nm H 2091 -4017-M8X16-10.9-GESCHW-MK-1.0
23	04255998	1	ring
24	04291215	1	tube

IRON 125 HI-LINE DCR ->ZKDL440200TS15001

Section: B0 - ENGINE

Ref: B0.01.20

FLANGE

Fig.	P/n	QTY	Name
------	-----	-----	------

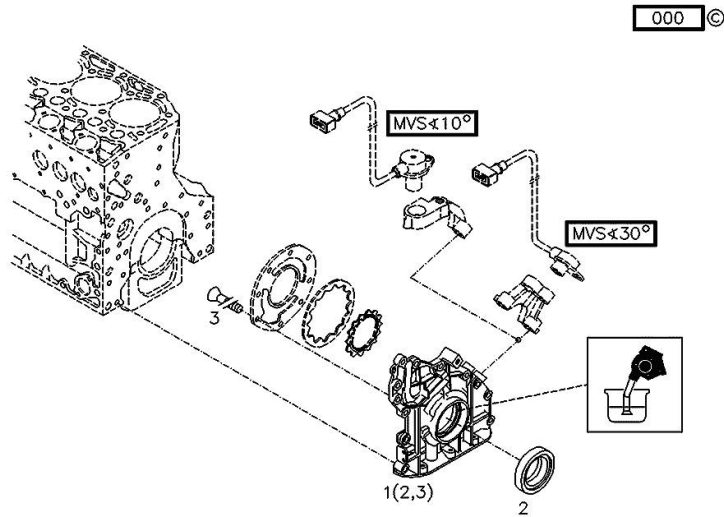
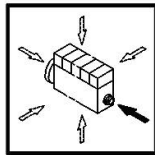
Notes:

[IRON 125 DCR HI-LINE ->ZKDL440200TS15001]

Engine serial number:

10674523 10674530 10684366 10714070 10727794 10750958 10777597 10792120 10795978 10795982 10807045
 10808681 10821657 10853481 10876581 10877390 10877391 10883717 10889215 10891943 10902707 10932445
 10949942 10961578

1	04283992	1	oil pump WITH POS.... (2,3)
2	04253372	1	oil seal
3	01133718	8	screw DIN 7991 -M6X16-8.8-A4C



0507 8908



Suggest:

For more complete manuals. Please go to the home page.

<https://www.ebooklibonline.com>

If the above button click is invalid. Please download this document first, and then click the above link to download the complete manual.

Thank you so much for reading

IRON 125 HI-LINE DCR ->ZKDL440200TS15001

Section: B0 - ENGINE

Ref: B0.01.22

KURBELGEHAEUSE

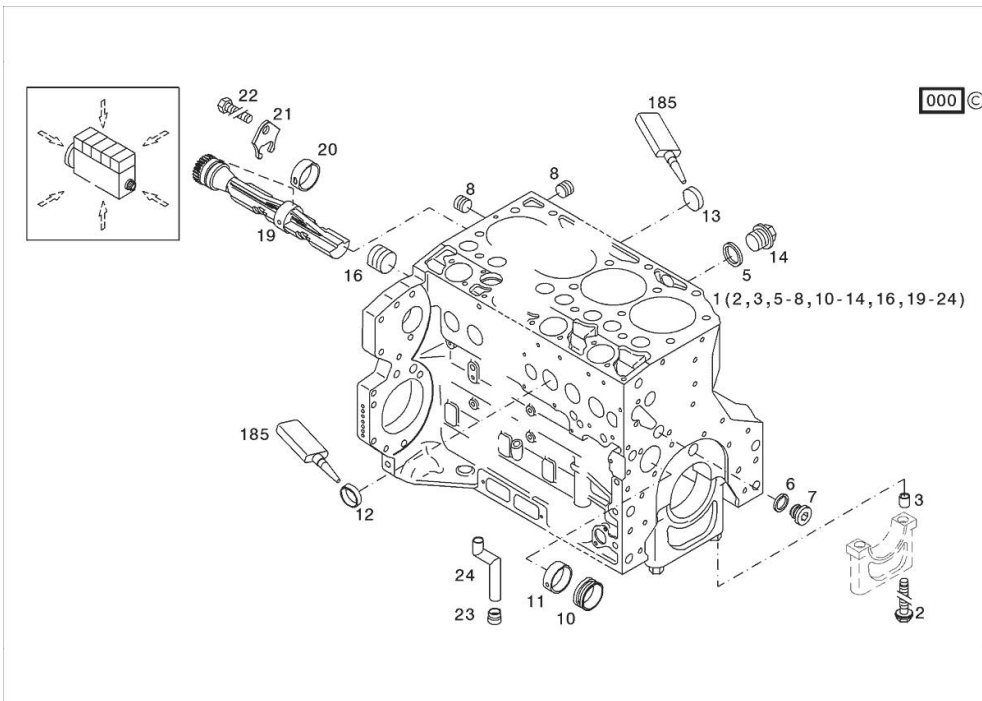
Fig.	P/n	QTY	Name
------	-----	-----	------

Notes:

[IRON 125 DCR HI-LINE ->ZKDL440200TS15001]

Engine serial number:

11152807 11152808 11159707 11159718



4	01110423	1	screw 35 Nm DIN 908 -M14X1,5-ST-ZNPHRF
5	01148899	3	rubber plug DIN 7603 -D14X18-CU-VERZINNT
185	01319910	1	guard
10	04507244	4	bushing
11	04507765	1	bushing
1	04506880	1	crankcase MIT POS... (2-8,10-14,16,19-24)
2	04254240	10	screw 50 Nm , 90° , 90°
3	04160764	10	bushing
6	01101342	1	oil seal DIN 7603 -D22X27-CU
7	04292706	1	plug 80 Nm
8	01182031	1	screw 35 Nm H 2812 -906-M14X1,5-ST-A3C-LOCTITE506
12	01148032	6	cover DIN 443 -A45-ZNPHR
13	01148031	4	plug DIN 443 -A36-ZNPHR
14	01100940	2	screw 35 Nm DIN 7604 -AM14X1,5-ST-A4C
16	04226536	1	bottom 30 Nm
19	04298246	2	shaft
20	04252834	4	bush
21	04251810	2	plug
22	01181672	2	nut 29 Nm H 2091 -4017-M8X16-10.9-GESCHW-MK-1.0
23	04255998	1	ring

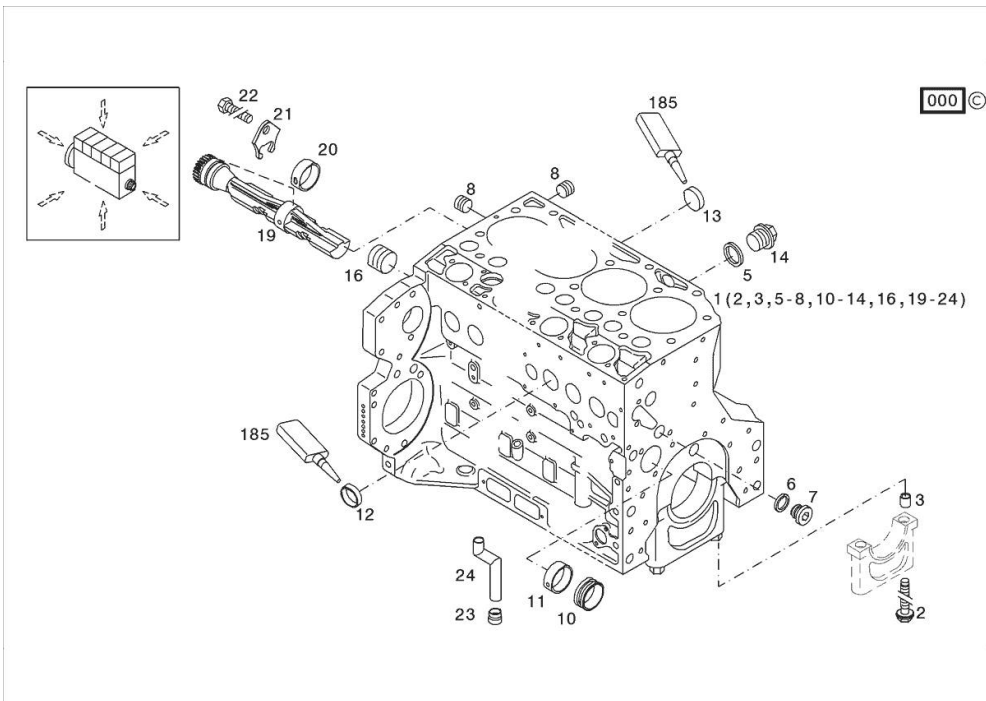
IRON 125 HI-LINE DCR ->ZKDL440200TS15001

Section: B0 - ENGINE

Ref: B0.01.22

KURBELGEHAEUSE

Fig.	P/n	QTY	Name
24	04291215	1	tube



<https://www.ebooklibonline.com>

Hello dear friend!

Thank you very much for reading.

Enter the link into your browser.

The full manual is available for immediate download.

<https://www.ebooklibonline.com>