

IRON 125 DCR -> ZKDL310200TS10001

Section: D0 - TRANSMISSION

Ref: 04454651.4/80

REAR DIFFERENTIAL AND HALF-SHAFTS - 2095 009 057

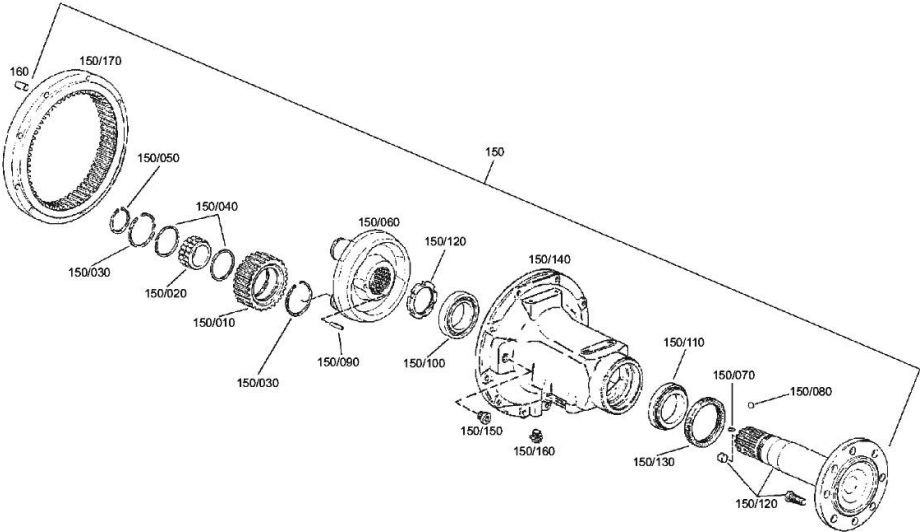


Fig.	P/n	QTY	Name
150	0.900.0993.4	2	support
150.10	0.900.1409.9	3	planet gear
150.20	0.900.0282.8	3	roller bearing
150.30	0.900.0278.1	6	circlip
150.40	0.900.0282.6	6	slewing ring 72x80.8x1
150.50	0.010.2888.1	3	circlip 55 x 2.0
150.60	0.900.0956.9	1	spider
150.70	0.010.3588.2	1	grub screw m 10x16
150.80	04309268	1	ball
150.90	0.900.0278.3	1	roll pin 8x90
150.100	0.900.0283.0	1	roller bearing
150.110	0.900.0953.7	1	roller bearing
150.120	0.900.0489.3	1	shaft
150.120	04439237	-	wheel stud
150.130	0.010.3643.0	1	ring
150.140	0.900.0957.5	1	support
150.150	0.900.0001.8	2	plug
150.160	0.010.3849.0	1	plug
150.170	0.900.1365.3	1	crown wheel Z = 105
160	0.900.0278.2	2	pin 12 x 24

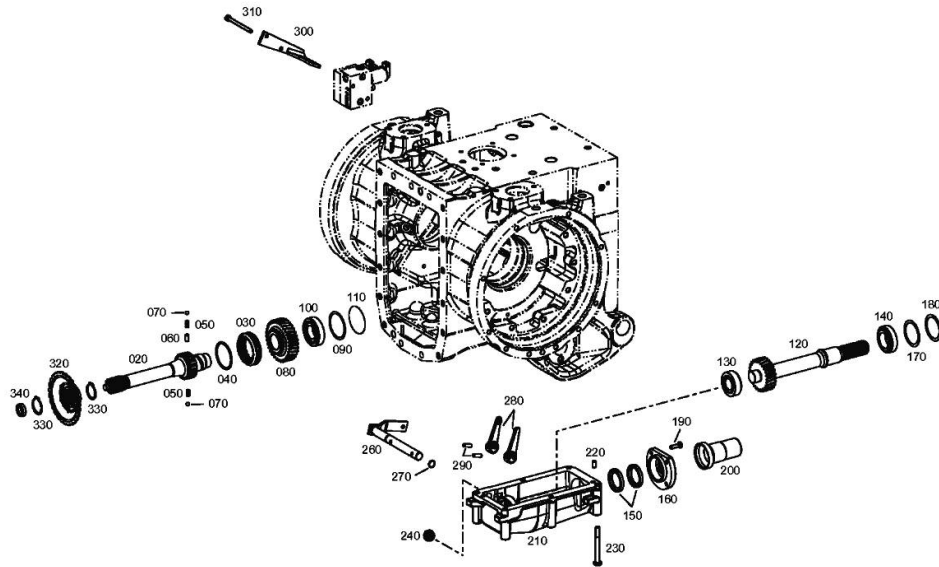
IRON 125 DCR -> ZKDL310200TS10001

Section: D0 - TRANSMISSION

Ref: 04454651.4/80

ROAD P.T.O. SHAFT - 2095 009 057

Fig.	P/n	QTY	Name
20	0.900.1500.0	1	shaft
30	04417488	1	sleeve
40	0.900.0278.0	1	circlip
50	04417378	2	spring
60	0.900.0953.2	1	cylindrical plug m 6 x 15
70	04415909	2	ball
80	04417491	1	gear wheel
90	0.900.1380.1	1	washer
90	04417360	1	shim s = 0.10
90	04417361	1	shim s = 0.15
90	04417362	1	shim s = 0.40
100	0.900.0279.3	1	roller bearing
110	04417494	1	cover
120	04417495	1	shaft
130	04431639	1	bearing
140	04416110	1	roller bearing
150	04417498	2	ring
160	04417499	1	cover
170	0.010.3343.2	1	small block 55x68x0.5
180	0.010.3343.1	1	small block 55x68x0.1
190	04434498	4	screw m 8 x 25
200	04417500	1	guard
210	04417501	1	box
220	0.900.0953.2	2	cylindrical plug m 6 x 15
230	0.900.0279.6	6	screw
240	0.010.3847.2	1	stop
260	0.010.3454.1	1	shaft
270	0.900.0278.8	1	oil seal
280	04417505	2	lever
290	0.010.3348.1	2	roll pin 8x26
300	0.900.1499.9	1	plate
310	0.900.0469.5	2	screw m 8 x 100
320	0.900.1500.1	1	driver
330	0.900.1498.4	2	ring
340	0.900.1498.9	1	ball bearing



<https://www.ebooklibonline.com>

Hello dear friend!

Thank you very much for reading.

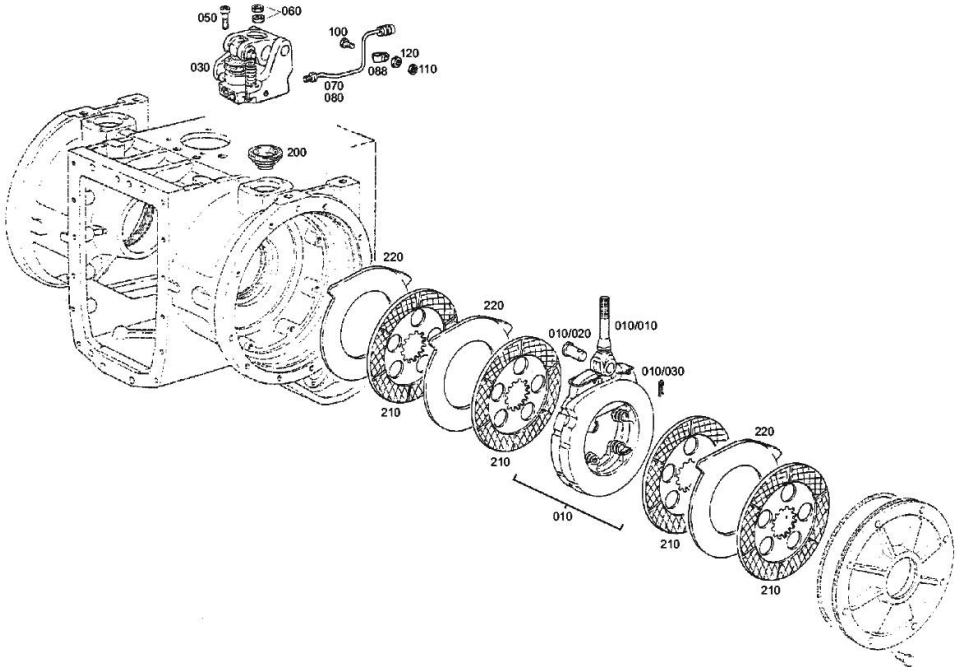
Enter the link into your browser.

The full manual is available for immediate download.

<https://www.ebooklibonline.com>

REAR BRAKES - 2095 009 057

Fig.	P/n	QTY	Name
10	0.900.0800.4	2	transmission brake
10.10	04428551	1	rod
10.20	04435740	1	pin
10.30	04435741	1	split pin
30	0.900.0800.5	2	operation
50	0.900.0469.7	6	screw m 10 x 40
60	04434557	4	nut m 14 p.1.5
70	04428558	1	tube sx/lb/li
80	04428559	1	tube dx/rh/re
88	0.900.0468.2	2	clamp 6x12
100	0.900.0280.1	2	screw m 5 x 25
110	0.900.0470.2	2	nut m 5
120	0.900.0281.6	2	nut
200	0.900.0800.9	2	rubber bushing
210	0.900.0801.2	8	disc
220	0.900.0801.3	6	disc



BRAKE CONTROLS - 2095 009 057

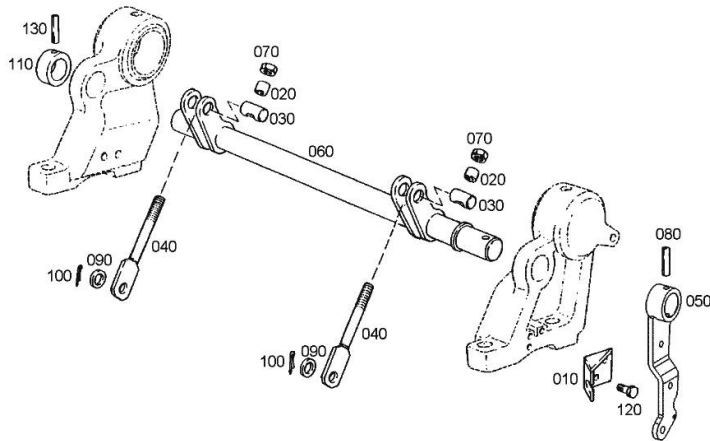


Fig.	P/n	QTY	Name
10	0.010.2901.2	1	support (...) <-
10	0.900.1239.7	1	bracket -> (...)
20	0.010.2902.0	2	bushing (...) <-
20	0.900.1239.8	2	tube -> (...)
30	0.010.2902.1	2	pin (...) <-
30	0.900.1239.9	2	pin -> (...)
40	0.010.3458.2	2	connecting rod (...) <-
40	0.900.1408.4	2	rod -> (...)
50	0.900.0466.8	1	brake lever (...) <-
50	0.900.1240.1	1	lever -> (...)
60	0.900.0955.8	1	shaft (...) <-
60	0.900.1408.5	1	shaft -> (...)
70	0.900.0281.9	2	nut m 12
80	0.010.3459.1	1	roll pin
90	0.900.0466.9	2	washer
100	0.900.0468.1	2	split pin 3.2x18
110	0.010.2904.2	1	ring (...) <-
110	0.900.0957.7	1	ring -> (...) - (...) <-
110	0.900.1240.3	1	spacer -> (...)
120	0.900.0469.4	3	screw m 8 p.1.25 x 20
130	0.010.2901.1	1	pin 6x50 -> (...)
130	0.900.0290.0	1	roll pin (...) <-

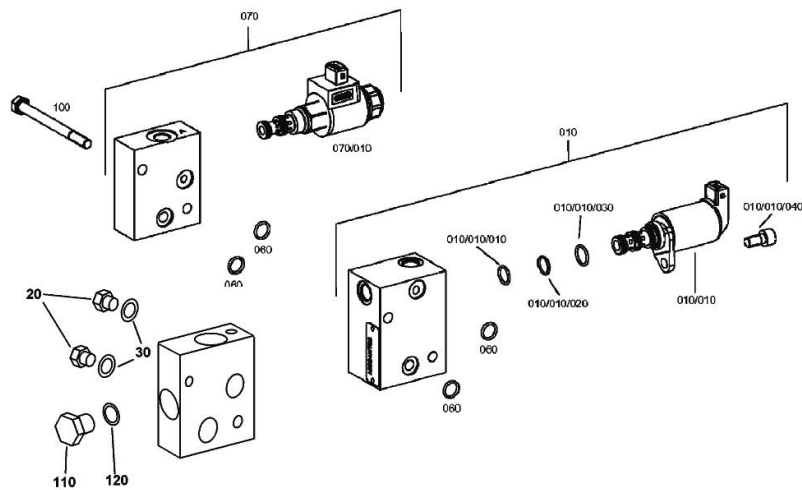
IRON 125 DCR -> ZKDL310200TS10001

Section: D0 - TRANSMISSION

Ref: 04454651.4/80

DRIVE FOR GEAR CHANGE BOX - 2095 009 057

Fig.	P/n	QTY	Name
10	0.900.0952.1	1	control
10.10	0.900.0952.8	1	solenoid valve DV
10.10	0.900.1377.5	1	gasket 12,4 x 1,78
10.20	0.900.1377.6	1	gasket 13 x 1.5
10.30	0.900.1377.7	1	gasket 14x1.78
10.40	0.900.1377.8	1	screw m 8 x 16
20	04434512	2	plug m 10 p.1 (...) <-
30	0.900.0290.7	2	circlip (...) <-
60	0.900.0801.4	4	ring 11,3 x 2,4 NBR-70-10
70	0.010.2628.2	1	control (...) <-
70	0.900.0993.3	1	control > (...) - (...) <-
70	0.900.1363.3	1	small block > (...)
70.10	0.900.1384.6	1	solenoid valve
100	0.900.1405.5	2	screw m 8x90
110	0.900.0281.0	1	plug m 14 p.1.5 (...) <-
120	04423731	1	oil seal 14 x 18 (...) <-



LIFTING - 2095 009 057

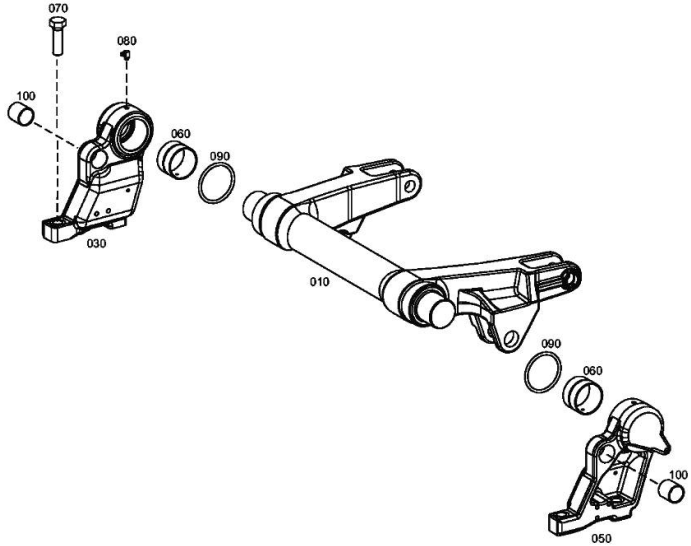


Fig.	P/n	QTY	Name
10	0.900.0824.6	1	shaft
30	0.900.0802.9	1	bearing block dx/rh/re (...) <-
30	0.900.1407.9	1	bearing block dx/rh/re -> (...)
50	0.900.0803.0	1	bearing block sx/lh/li (...) <-
50	0.900.1408.0	1	bearing block sx/lh/li -> (...)
60	04417549	2	special bushing
70	0.900.0469.1	4	screw m 20x65
80	04427636	2	grease gun m 8 p.1 x 8
90	04417552	2	ring 78.5x6
100	0.010.3844.1	2	bearing (...) <-
100	0.900.1431.3	2	bearing -> (...)

FRONT TRANSMISSION - 2095 009 057

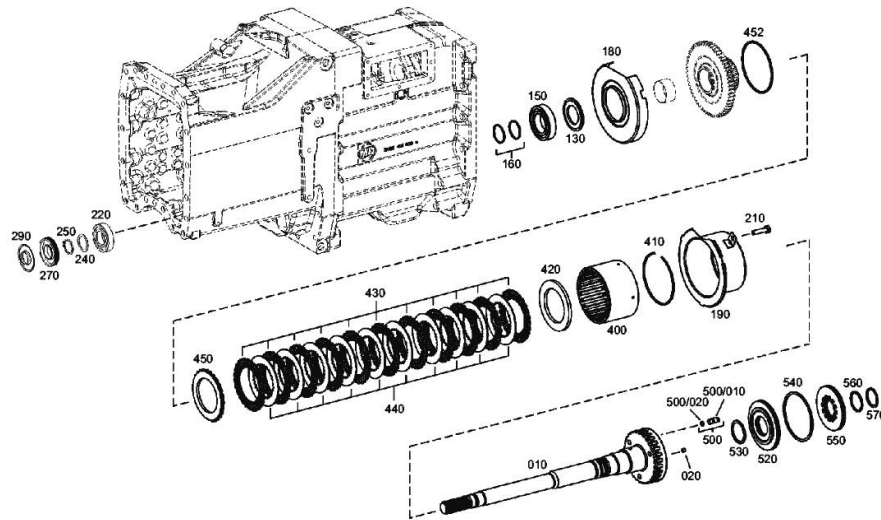


Fig.	P/n	QTY	Name
10	0.010.3440.0	1	secondary shaft Z = 24
20	04416947	1	grub screw m 8x8
130	04416402	1	shim
150	0.900.0498.5	1	ball bearing
160	04416404	2	ring 48x2.5
180	04416405	1	division
190	04416406	1	division
210	04434553	1	screw m 10 x 40
220	04436319	1	ball bearing
240	0.000.0000.1	1	cannot be supplied
240	0.010.3368.1	1	washer mm 2.20
240	0.010.3368.2	1	washer mm 2.40
240	0.010.3392.0	1	washer mm 1.10
240	0.010.3392.1	1	shim mm 1.20
240	0.010.3392.2	1	washer mm 1.30
240	0.010.3393.0	1	washer mm 1.40
240	0.010.3393.1	1	washer mm 1.50
240	0.010.3393.2	1	washer mm 1.60
240	0.010.3394.0	1	washer mm 1.70
240	0.010.3394.1	1	washer mm 1.80
240	0.010.3394.2	1	washer mm 2.00
240	04416581	1	shim mm 1.90
240	04416582	1	shim mm 2.10
240	04416583	1	shim mm 2.30
240	04416584	1	shim mm 2.50
240	04416585	1	shim mm 2.70
240	04416586	1	shim mm 2.90
240	04416587	1	shim mm 3.10
250	01273026	1	circlip 35x2.5
270	04416409	1	ring
290	04416410	1	plate
400	04416605	1	plate carrier z=27
410	0.900.0985.1	1	circlip -> (...)
410	04415928	1	ring (...)<-
420	0.000.0000.1	1	cannot be supplied
420	0.010.2875.2	1	shim mm 7.3
420	04416588	1	shim mm 5.5
420	04416589	1	shim mm 5.7
420	04416590	1	shim mm 5.9
420	04416591	1	shim mm 6.1
420	04416592	1	shim mm 6.3
420	04416593	1	shim mm 6.5

FRONT TRANSMISSION - 2095 009 057

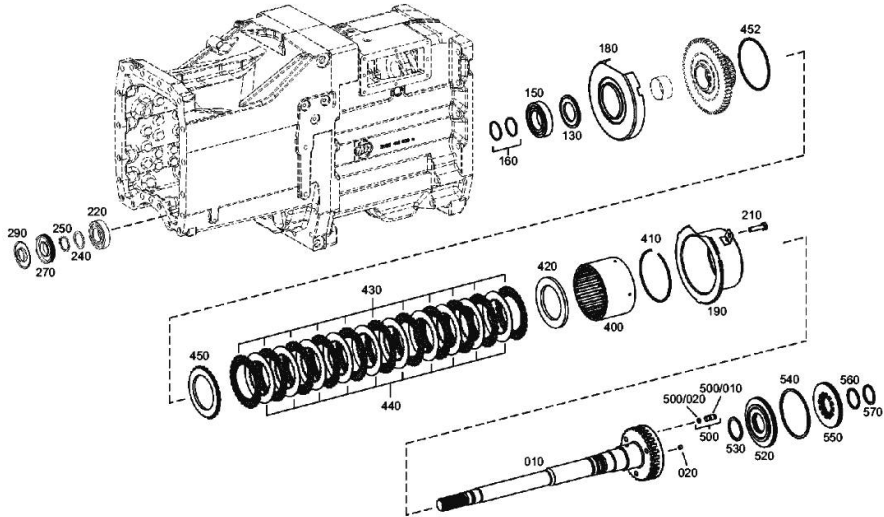
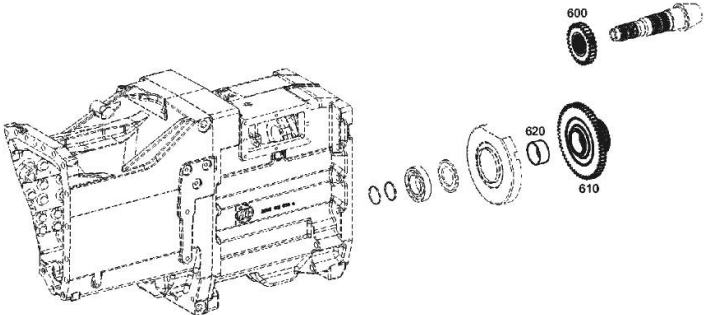


Fig.	P/n	QTY	Name
420	04416594	1	shim mm 6.7
420	04416595	1	shim mm 6.9
420	04416596	1	shim mm 7.1
420	04416597	1	shim mm 7.5
420	04416599	1	shim mm 7.7
420	04416600	1	shim mm 7.9
420	04416601	1	shim mm 8.1
420	04416602	1	shim mm 8.3
420	04416603	1	shim mm 8.5
420	04416604	1	shim mm 8.7
430	04416412	11	disc
440	04416413	10	disc mm 2.0
450	04416414	1	washer
452	04415933	1	circlip mm 2.5
500	0.010.3437.2	3	pin
500.10	04416415	1	pin
500.20	04416416	1	oil seal 7x2.5
520	04423292	1	piston
530	04416418	1	ring
540	04331370	1	ring
550	04416419	1	spring x4
560	04416420	1	shoulder ring
570	0.010.2863.2	1	circlip 45x2.5

FRONT TRANSMISSION - 2095 009 057

Fig.	P/n	QTY	Name
600	04423288	1	gear Z = 29
610	04423290	1	gear wheel Z = 57
620	0.010.3340.1	1	bush



P.T.O. - POWER TAKE OFF - 2095 009 057

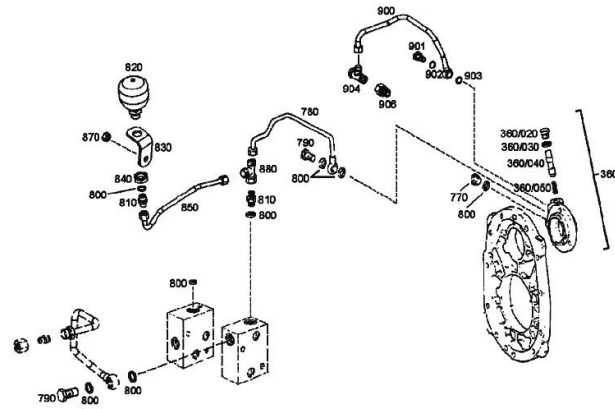
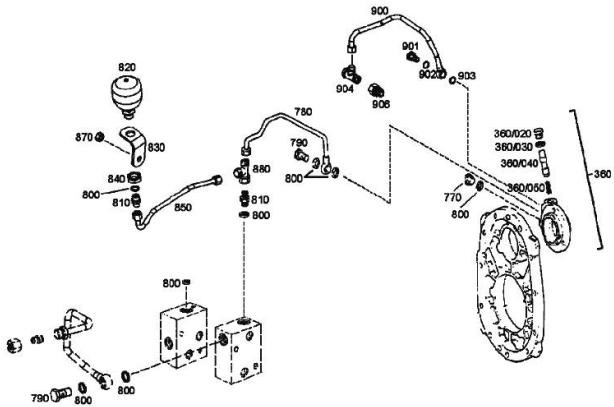


Fig.	P/n	QTY	Name
360	0.010.3229.0	1	cover (...) <-
360	0.900.1235.6	1	cover -> (...)
360.20	0.010.2906.0	1	plug m 16 p.1.5 -> (...)
360.20	04417591	1	plug (...) <-
360.30	04436331	1	oil seal 16 x 20
360.40	0.900.1386.4	1	piston -> (...)
360.40	04424374	1	piston (...) <-
360.50	0.900.1384.9	1	spring -> (...)
360.50	04417367	1	spring (...) <-
770	0.900.0281.0	1	plug m 14 p.1.5
780	0.010.3455.2	1	piping (...) <-
780	0.900.1408.3	1	tube -> (...)
790	0.900.0282.1	2	pipe union
800	04423731	8	oil seal 14 x 18 (...) <-
810	04417466	2	pipe fitting (...) <-
820	04439224	1	accumulator (...) <-
830	0.010.3456.0	1	angular (...) <-
840	0.900.0953.6	1	nut (...) <-
850	0.900.0490.9	1	tube (...) <-
870	0.900.0281.4	1	nut m 12 (...) <-
880	04417783	1	pipe fitting
900	0.900.0283.5	1	tube -> (...)
901	04427560	1	pipe union (...) <-
902	0.900.0290.6	1	circlip (...) <-

P.T.O. - POWER TAKE OFF - 2095 009 057

Fig.	P/n	QTY	Name
903	04436331	1	oil seal 16 x 20 (...) <-
904	04431782	1	threaded joint (...) <-
906	0.900.0282.4	1	pipe union (...) <-
910	0.900.0280.7	1	stop -> (...)





Suggest:

For more complete manuals. Please go to the home page.

<https://www.ebooklibonline.com>

If the above button click is invalid. Please download this document first, and then click the above link to download the complete manual.

Thank you so much for reading

IRON 125 DCR -> ZKDL310200TS10001

Section: D0 - TRANSMISSION

Ref: 04454651.4/80

ROAD P.T.O. SHAFT - 2095 009 057

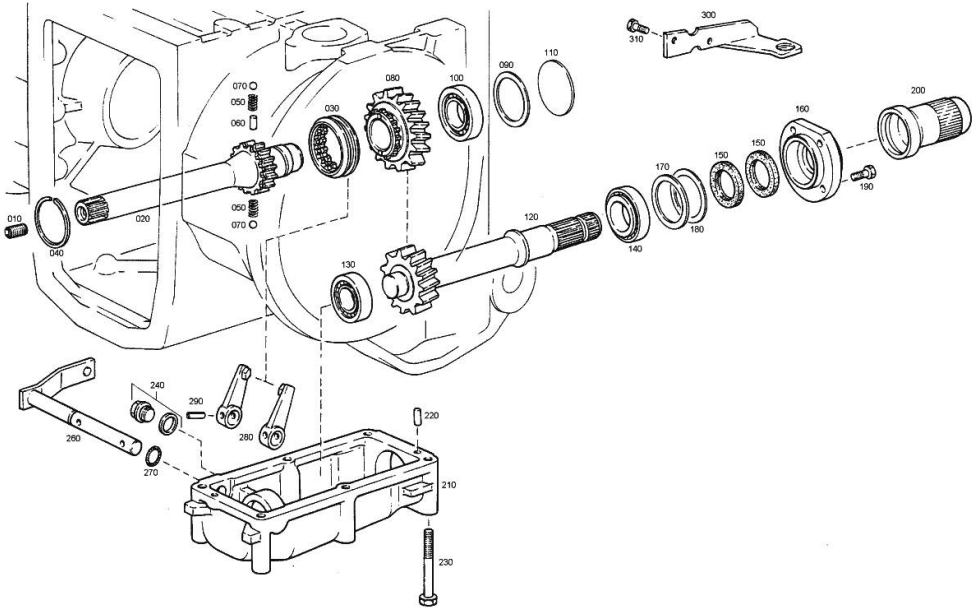


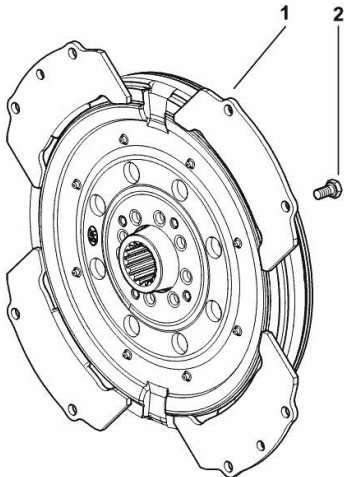
Fig.	P/n	QTY	Name
10	04417486	1	pin
20	04417487	1	transmission shaft
30	04417488	1	sleeve
40	0.900.0278.0	1	circlip
50	04417378	2	spring
60	0.900.0953.2	1	cylindrical plug m 6 x 15
70	04415909	2	ball
80	04417491	1	gear wheel
90	0.000.0000.1	1	cannot be supplied
90	04417360	1	shim s = 0.10
90	04417361	1	shim s = 0.15
90	04417362	1	shim s = 0.40
100	0.900.0279.3	1	roller bearing
110	04417494	1	cover
120	04417495	1	shaft
130	04436234	1	roller bearing
140	04416948	1	bearing
150	04417498	2	ring
160	04417499	1	cover
170	0.010.3343.2	1	small block 55x68x0.5
180	0.010.3343.1	1	small block 55x68x0.1
190	0.900.0291.0	4	screw
200	04417500	1	guard
210	04417501	1	box
220	0.900.0953.2	2	cylindrical plug m 6 x 15
230	0.900.0279.6	6	screw
240	0.010.3847.2	1	stop
260	0.010.3454.1	1	shaft
270	0.900.0278.8	1	oil seal
280	04417505	2	lever
290	0.010.3348.1	2	roll pin 8x26
300	0.010.3455.0	1	plate
310	0.900.0469.5	2	screw m 8 x 100

FLEXIBLE COUPLINGS

Fig.	P/n	QTY	Name
------	-----	-----	------

Notes:
[IRON 125 DCR -> ZKDL310200TS10001]

1	04455029	1	flexible coupling
2	2.0114.205.2	8	screw m 8 p.1.25 x 16



9_A3930_01_0-A-001

<https://www.ebooklibonline.com>

Hello dear friend!

Thank you very much for reading.

Enter the link into your browser.

The full manual is available for immediate download.

<https://www.ebooklibonline.com>