

FORTIS 210 Infinity ->WSXAZ70200LS50010

Section: C0 - ENGINE ACCESSORIES

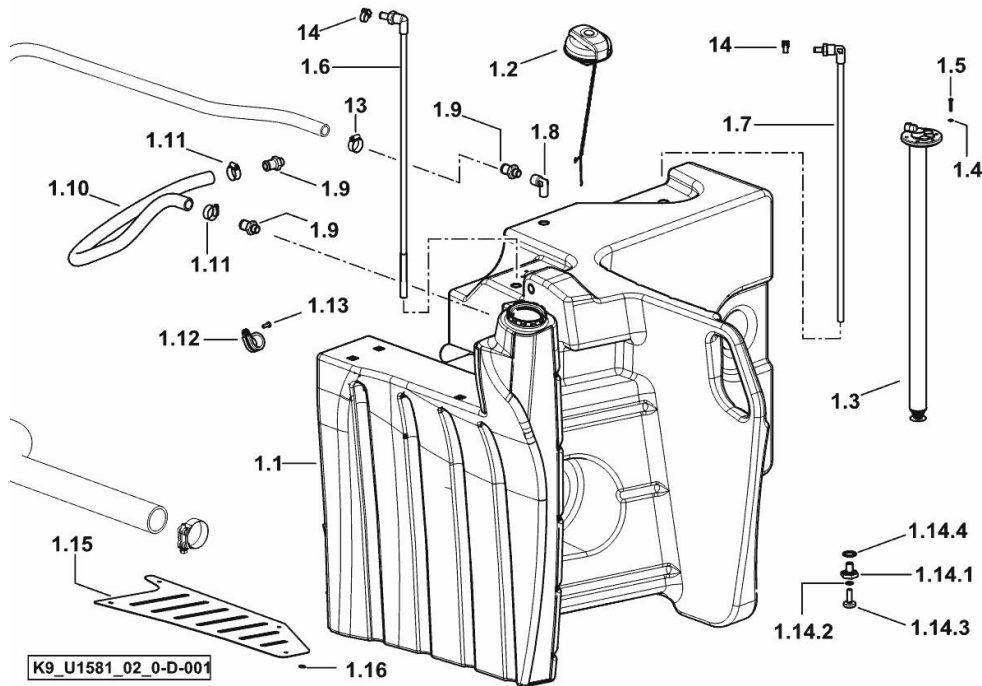
Ref: C0.03.3 (1)

FUEL TANK SX/LH/LI

Fig.	P/n	QTY	Name
------	-----	-----	------

Notes:

[FORTIS 210 Infinity ->WSXAZ70200LS50010]



1.1	0.018.6779.3/40	1	fuel tank sx/lh/li
1.2	0.019.6285.4	1	plug (-> 50010)
1.3	2.7059.016.0	1	float
1.4	2.1310.028.2	6	flat washer
1.5	2.0332.208.2	6	screw m4x25
1.6	0.016.7111.3/20	1	tube
1.7	0.016.7518.3/10	1	tube
1.8	2.3249.224.0	1	pipe fitting Ø 22 / 3/8" GAS
1.9	2.3249.245.0	3	pipe fitting Ø 12 / 3/8" GAS
1.10	0.018.8394.0/10	1	tube
1.11	01173962	2	clamp Ø 20/32
1.12	2.6839.068.0	1	clamp Ø 27
1.13	2.0332.406.2	5	screw m 6 p.1.0 x 16
1.14.1	0.016.9607.0	1	plug m10
1.14.2	2.1560.006.0	1	gasket 10.2 x 16
1.14.3	0.016.9605.0	1	plug m14
1.14.4	2.1539.040.0	1	special oil seal 21.82 x 3.53
1.15	0.018.7319.0/20	1	guard
1.16	2.1310.002.2	4	flat washer 6.4x12.5
13	01173962	2	clamp Ø 20/32
14	2.6851.019.0	2	clamp Ø 13/20

FORTIS 210 Infinity ->WSXAZ70200LS50010

Section: C0 - ENGINE ACCESSORIES

Ref: C0.03.4 (1)

FUEL TANK SUPPORT - SX/LH/LI

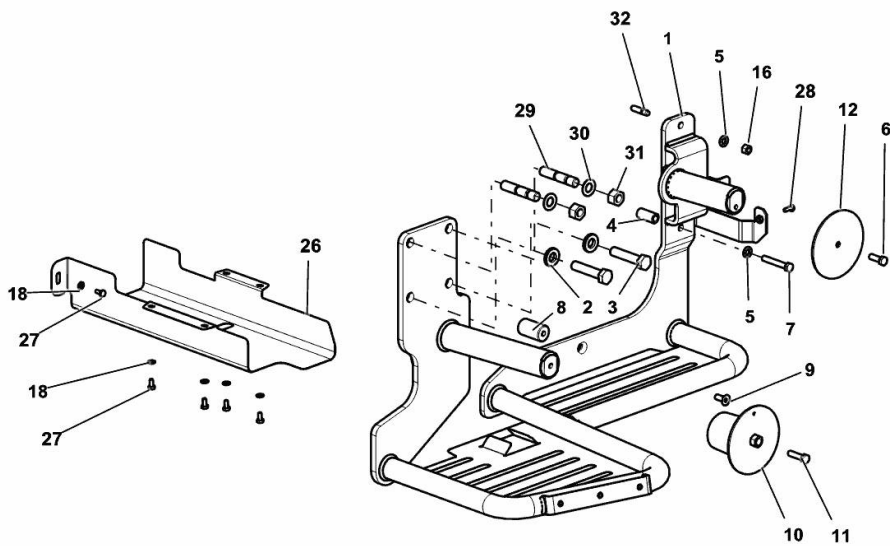
Fig.	P/n	QTY	Name
------	-----	-----	------

Notes:

[FORTIS 210 Infinity ->WSXAZ70200LS50010]

1	0.018.7363.3/30	1	bracket
2	01167055	2	washer 20.5x40
3	2.0399.302.2	2	screw m 20 p.2x90
4	04411966	1	tube
5	2.1310.007.2	4	flat washer 13 x 24
6	2.0112.413.2	1	screw m 12 p.1.75x35
7	2.0112.424.2	1	screw m 12 p.1.75x75
8	0.018.8438.0/10	1	spacer
9	2.0342.508.3	1	screw m 12 p.1.75 x 30
10	04429298.4	1	stop
11	2.0112.417.2	1	screw m 12 p.1.75 x 45
12	04413213	1	washer
16	2.1011.107.2	3	nut m 12 p.1.75
18	2.1310.004.2	7	flat washer 8.4x17
26	0.018.4101.0/10	1	guard
27	2.0114.205.2	5	screw m 8 p.1.25 x 16
28	2.0112.206.2	1	screw m 8 p.1.25 x 18
29	2.0439.335.2	2	stud bolt m 20
30	2.1310.013.2	2	flat washer 21x37
31	2.1011.111.2	2	nut m 20 p.2.5
32	2.0422.407.2	1	stud bolt m 12 p.1.75x30-p.1.75x18

K9\_AR981\_04\_0-B-001



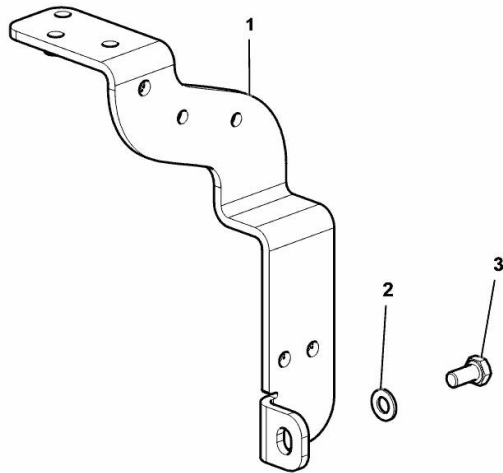
**FUEL TANK SUPPORT**

Fig.	P/n	QTY	Name
------	-----	-----	------

**Notes:**

[FORTIS 210 Infinity ->WSXAZ70200LS50010]

1	0.020.9031.3/10	1	bracket
2	2.0112.205.2	1	screw m 8 p.1.25 x 16
3	2.1310.004.2	1	flat washer 8.4x17



K9\_AS781\_05\_0-A-001

**<https://www.ebooklibonline.com>**

Hello dear friend!

Thank you very much for reading.

Enter the link into your browser.

The full manual is available for immediate download.

**<https://www.ebooklibonline.com>**

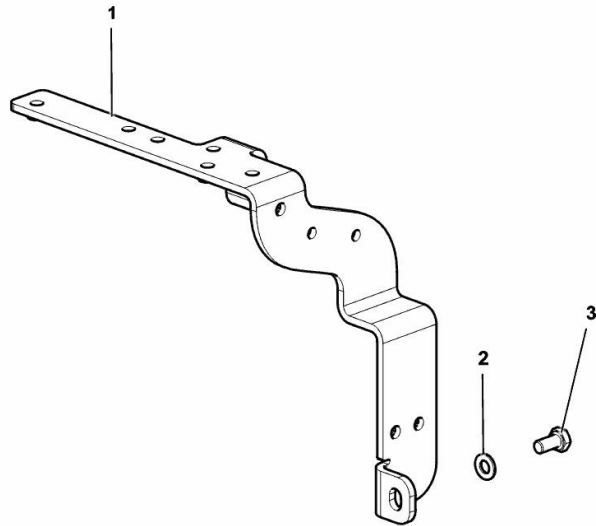
**FUEL TANK SUPPORT**

Fig.	P/n	QTY	Name
------	-----	-----	------

**Notes:**

[FORTIS 210 Infinity ->WSXAZ70200LS50010]

1	0.020.9115.3/10	1	bracket
2	2.0112.205.2	1	screw m 8 p.1.25 x 16
3	2.1310.004.2	1	flat washer 8.4x17



K9\_AR981\_05\_0-A-001

FORTIS 210 Infinity ->WSXAZ70200LS50010

Section: C0 - ENGINE ACCESSORIES

Ref: C0.03.7 (1)

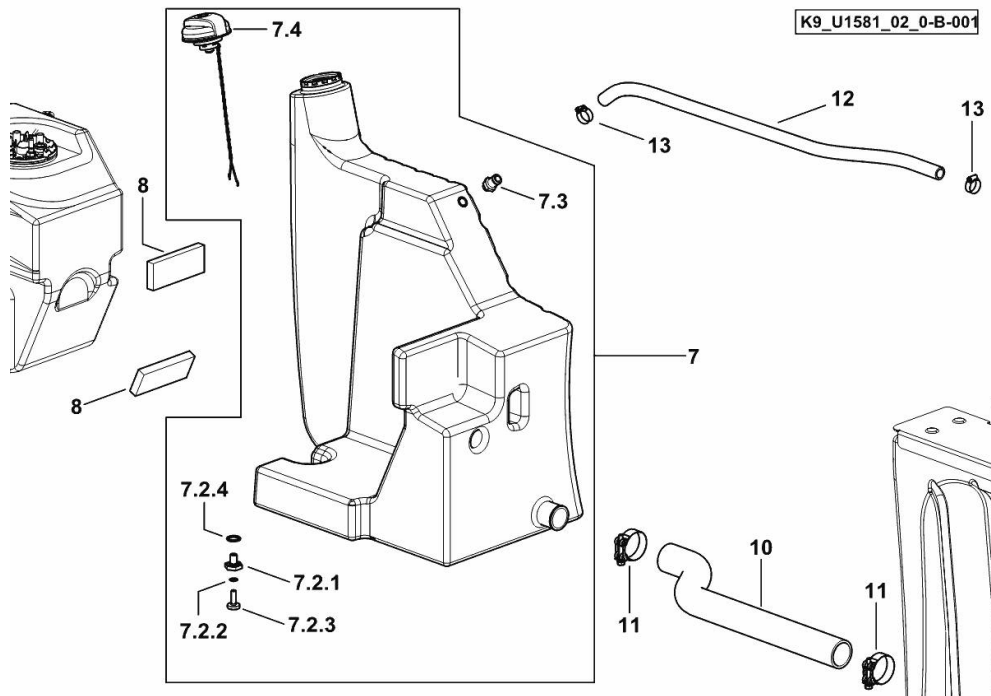
**FUEL TANK DX/RH/RE**

Fig.	P/n	QTY	Name
------	-----	-----	------

**Notes:**

[FORTIS 210 Infinity ->WSXAZ70200LS50010]

7	0.018.2154.4/50	1	fuel tank dx/rh/re
7.2.1	0.016.9607.0	1	plug m10
7.2.2	2.1560.006.0	1	gasket 10.2 x 16
7.2.3	0.016.9605.0	1	plug m14
7.2.4	2.1539.040.0	1	special oil seal 21.82 x 3.53
7.3	2.3249.245.0	1	pipe fitting Ø 12 / 3/8" GAS
7.4	0.019.6285.4	1	plug ( -> 50010 )
8	0.015.7103.0	2	gasket 60x150x18
10	0.018.3886.0/10	1	tube
11	2.6859.155.0	2	clamp Ø 59/63
12	0.019.9244.0	1	tube
13	01173962	2	clamp Ø 20/32



FORTIS 210 Infinity ->WSXAZ70200LS50010

Section: C0 - ENGINE ACCESSORIES

Ref: C0.03.8 (2)

TANK AND BATTERY SUPPORT DX/RH/RE

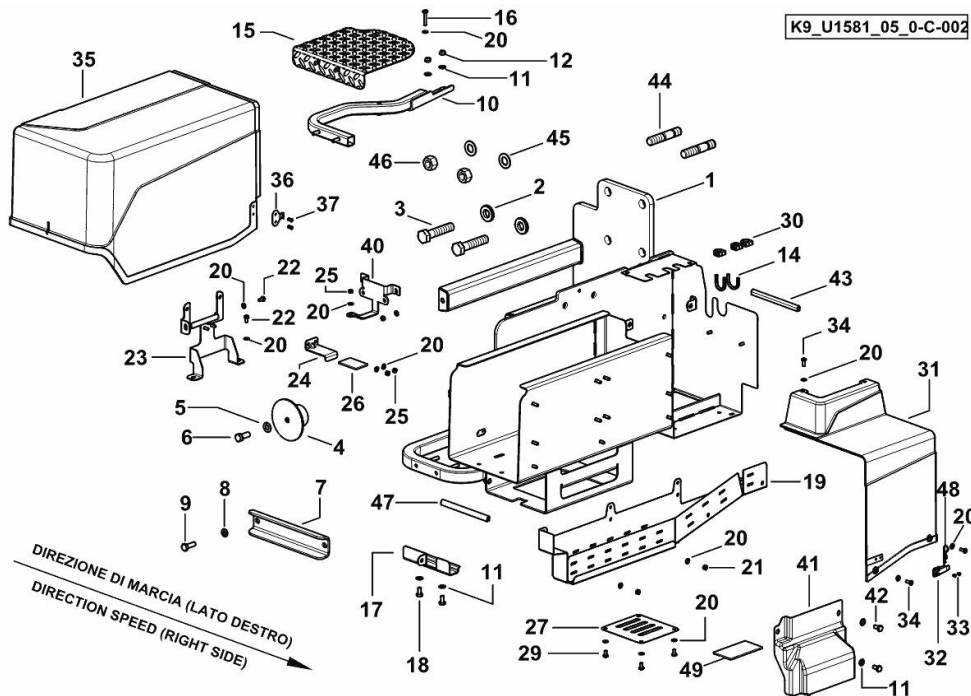


Fig.	P/n	QTY	Name
------	-----	-----	------

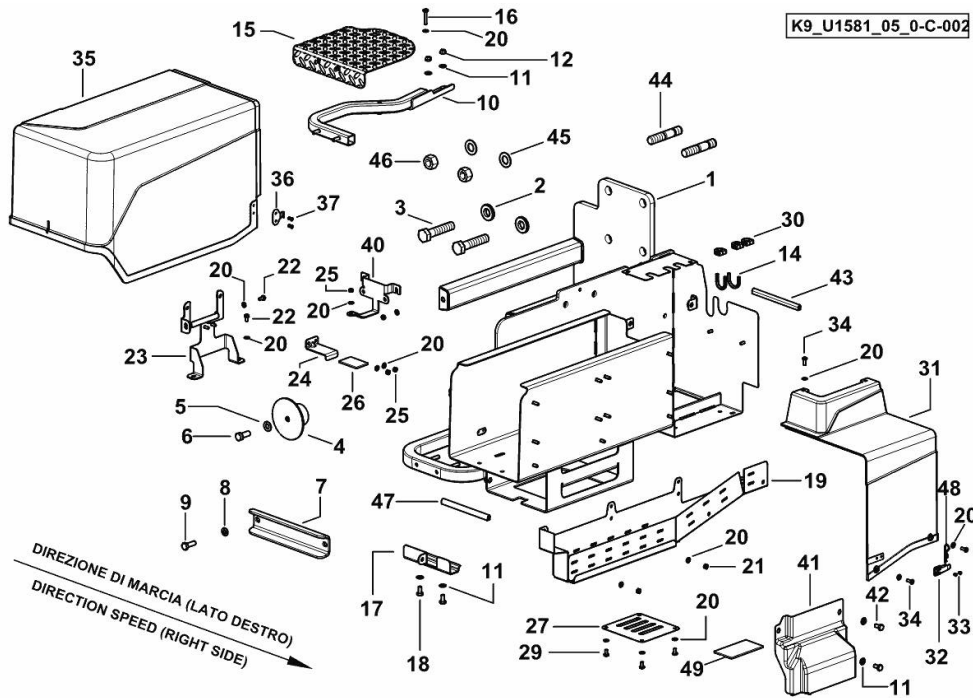
Notes:

[FORTIS 210 Infinity ->WSXAZ70200LS50010]

1	0.018.2320.3/70	1	support dx/rh/re ( 50015 <- )
1	0.018.2320.3/80	1	support dx/rh/re ( -> 50016 )
2	01167055	2	washer 20.5x40
3	2.0399.302.2	2	screw m 20 p.2x90
4	0.018.1844.2	1	bracket dx/rh/re
5	2.1310.007.2	1	flat washer 13 x 24
6	2.0112.411.2	1	screw m 12 p.1.75 x 30
7	0.018.2847.0	1	bracket dx/rh/re
8	2.1310.006.2	2	flat washer 10.5x21
9	2.0112.311.2	2	screw m 10 p.1.5 x 30
10	0.018.2954.3/20	1	bracket
11	2.1310.004.2	10	flat washer 8.4x17
12	2.1121.005.2	6	nut m 8 p.1.25
14	01393059	0.16	gasket
15	0.018.1397.0/30	1	foot board dx/rh/re
16	2.0332.410.2	1	screw m 6 p.1 x 35
17	0.015.2140.3/10	1	bracket
18	2.0114.205.2	2	screw m 8 p.1.25 x 16
19	0.018.3419.3	1	bracket
20	2.1310.002.2	21	flat washer 6.4x12.5
21	2.1011.003.2	3	nut m 6 p.1, d934
22	2.0112.003.2	4	screw m 6 p.1 x 12
23	0.018.8462.3	1	bracket
24	0.016.4712.0	1	bracket
25	2.1011.103.2	5	nut m 6 p.1
26	0.016.4901.0	1	gasket
27	0.018.4108.0/10	1	guard
29	2.0332.203.2	4	screw m 4 x 10
30	2.6569.081.0	3	wire guide
31	0.018.3917.0/10	1	cover
32	0.014.7214.0	2	closure
33	2.1899.090.0	4	rivet 3x8
34	2.0332.406.2	4	screw m 6 p.1.0 x 16
35	0.018.2405.0/10	1	cover
36	0.015.2116.0	2	hook
37	2.1856.004.0	4	rivet 4
40	0.018.8804.0	1	bracket
41	0.018.9458.0	1	guard
42	2.0112.205.2	2	screw m 8 p.1.25 x 16
43	0.019.2929.0	1	gasket
44	2.0439.335.2	2	stud bolt m 20

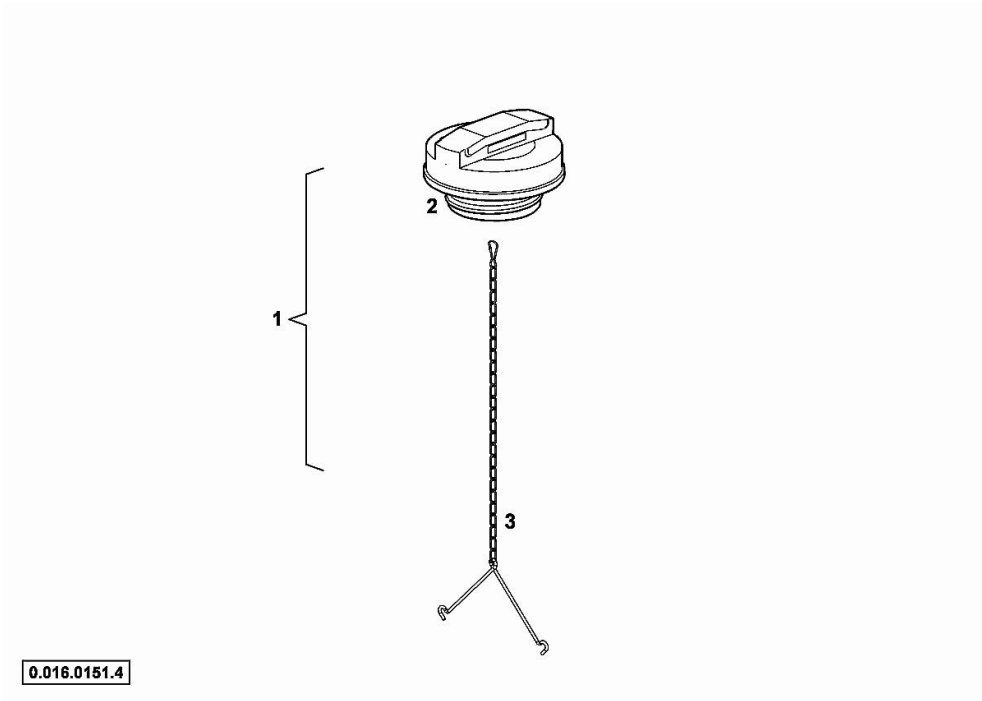
**TANK AND BATTERY SUPPORT DX/RH/RE**

Fig.	P/n	QTY	Name
45	2.1310.013.2	2	flat washer 21x37
46	2.1011.111.2	2	nut m 20 p.2.5
47	0.018.0981.0	1	gasket
48	2.1699.180.2	2	pin
49	0.016.4909.0	1	gasket



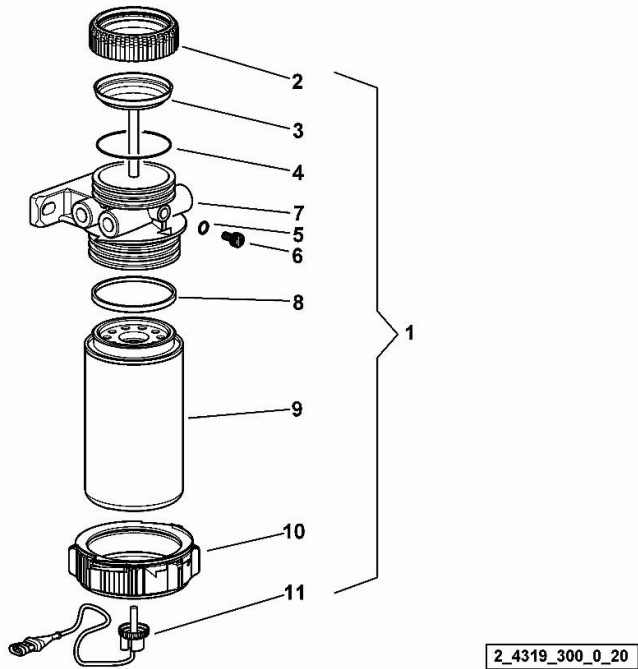
**SCREW PLUG**

Fig.	P/n	QTY	Name
1	0.016.0151.4	1	plug
2	0.000.0000.1	1	cannot be supplied
3	0.900.0986.2	1	small chain



**PRE-FILTER - COMPONENTS**

Fig.	P/n	QTY	Name
1	2.4319.300.0/20	1	precleaner 2, 3, 4, 5, 6, 7, 8, 9, 10, 11
2	0.900.0863.8	1	crown wheel
3	0.000.0000.1	1	cannot be supplied
4	0.900.0863.9	1	rubber ring
5	0.900.0789.8	1	ring
6	0.900.0864.3	1	screw
7	0.000.0000.1	1	cannot be supplied
8	0.900.0864.0	1	dust guard
9	0.900.0511.9	1	fuel filter element
10	0.900.0864.1	1	closure
11	0.900.0942.1	1	clogging warning ind.





**Suggest:**

**For more complete manuals. Please go to the home page.**

**<https://www.ebooklibonline.com>**

**If the above button click is invalid. Please download this document first, and then click the above link to download the complete manual.**

**Thank you so much for reading**

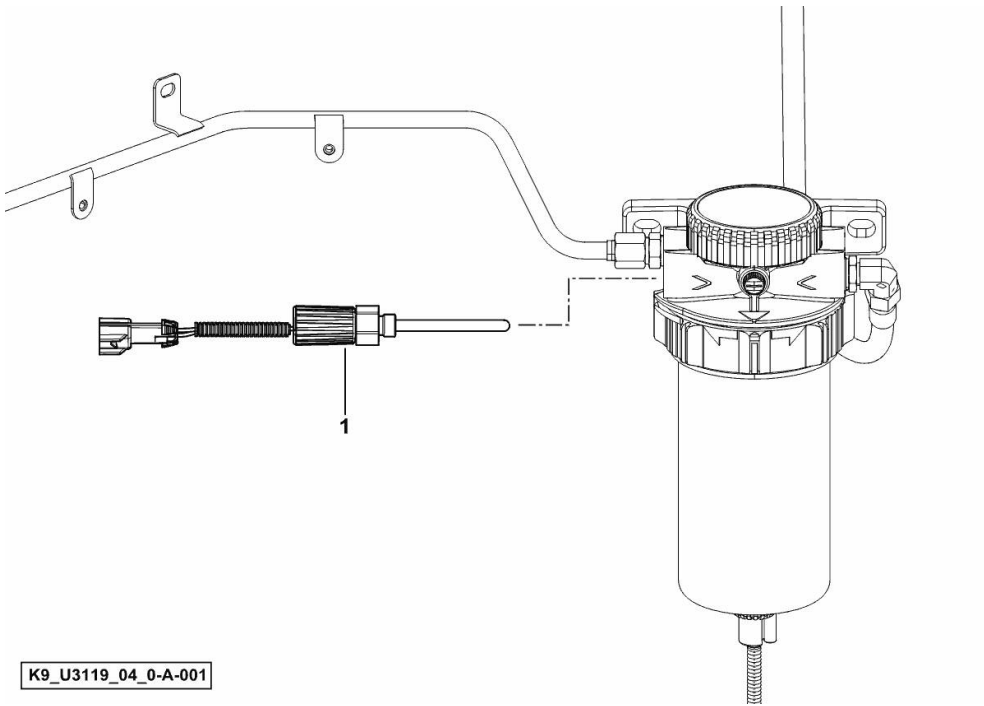
**FUEL HEATER**

Fig.	P/n	QTY	Name
------	-----	-----	------

**Notes:**

- EXPORT RU [FORTIS 210 Infinity ->WSXAZ70200LS50010]

1	2.4319.315.0	1	glow plug
---	--------------	---	-----------



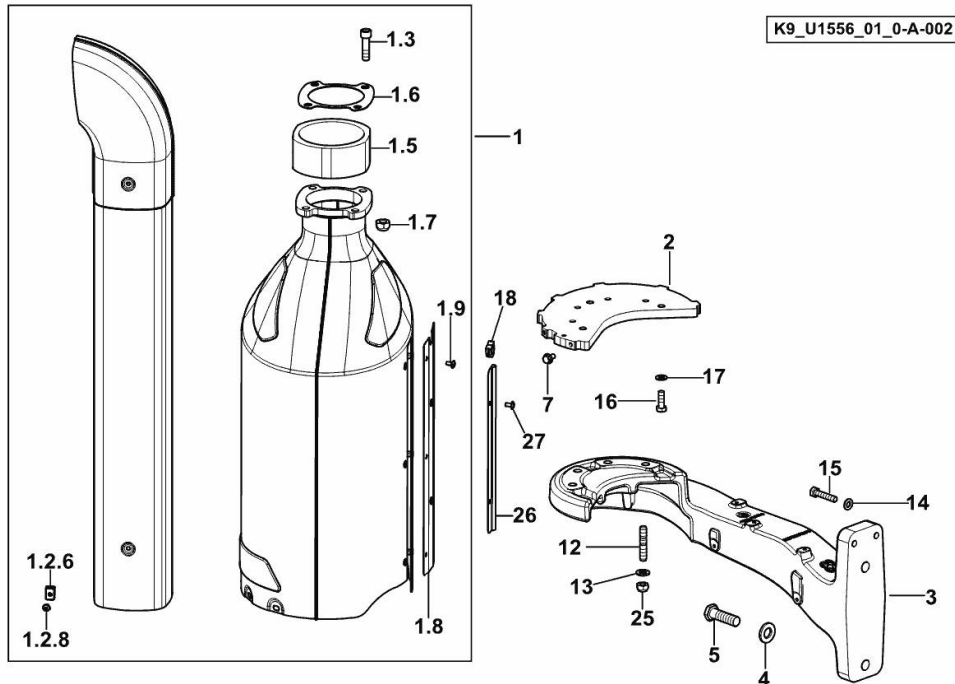
K9\_U3119\_04\_0-A-001

**EXHAUST SILENCER**

Fig.	P/n	QTY	Name
------	-----	-----	------

**Notes:**

[FORTIS 210 Infinity ->WSXAZ70200LS50010]



1	0.018.3757.4/70	1	guard
1.2.6	2.6999.064.6	4	special nut m 6
1.2.8	2.0339.030.0	4	screw m 6 x 12
1.3	2.0312.414.2	4	screw m 12 x 40
1.5	0.018.8019.0/20	1	insulating material
1.6	0.021.2042.0	1	gasket
1.7	2.1121.008.2	4	nut m 12
1.8	0.020.0424.3/10	1	plate
1.9	2.0339.030.0	6	screw m 6 x 12
2	0.018.3823.0/20	1	plate
3	0.018.2522.0/30	1	bracket
4	2.1475.007.7	2	washer 18
5	2.0112.721.2	2	screw m 18 p.2.5x60
7	2.0139.045.0	7	screw m 8 x 16
12	2.0439.338.2/10	4	stud bolt m 12 p.1.75 x 40
13	2.1310.007.2	4	flat washer 13 x 24
14	2.1475.003.7	2	washer 10.5
15	2.0112.319.2	2	screw m 10 p.1.5 x 50
16	2.0112.311.2	3	screw m 10 p.1.5 x 30
17	2.1310.006.2	1	flat washer 10.5x21
18	2.6569.089.0	3	grommet
25	2.1121.008.2	4	nut m 12
26	0.020.8556.0	1	guard
27	2.0339.030.0	2	screw m 6 x 12

**<https://www.ebooklibonline.com>**

Hello dear friend!

Thank you very much for reading.

Enter the link into your browser.

The full manual is available for immediate download.

**<https://www.ebooklibonline.com>**