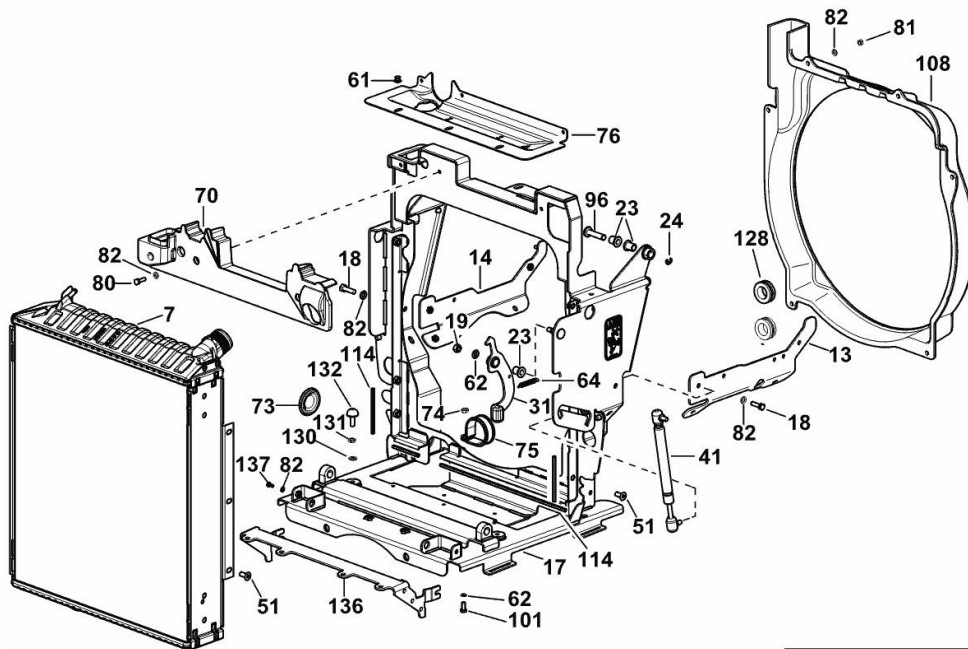


**COOLING SYSTEM**



K9\_V7983\_00\_0-E-006

Fig.	P/n	QTY	Name
------	-----	-----	------

**Notes:**

[FORTIS 160.4 -> WSXAP00200LS50010]

7	0.019.7413.4	1	water cooler
13	0.017.6647.3/30	1	bracket sx/lh/li
14	0.017.6648.3/30	1	bracket dx/rh/re
17	0.020.1484.3/20	1	duct
18	2.0114.005.2	4	screw m 6 p.1.0 x 16
19	2.1011.005.2	1	nut m 8 p.1.25
23	2.1559.147.0	5	bushing
24	2.1430.009.2	2	ring 8
31	0.017.8393.2/10	1	small lever
41	0.014.4516.0	1	shock absorber
51	2.0342.305.3	6	screw m 8 x 20
61	2.1851.004.0	6	rivet 4.8
62	2.1310.004.2	11	flat washer 8.4x17
64	2.4049.230.2	1	spring
70	0.021.2531.4	1	gasket
73	2.3199.006.0	1	plug 45
74	2.1011.505.2	1	nut m 8 p.1
75	2.6839.063.0	1	clamp Ø 50
76	0.016.1220.0/10	1	cup
80	2.0112.007.2	3	screw m 6 p.1 x 20
81	2.1011.103.2	9	nut m 6 p.1
82	2.1310.002.2	18	flat washer 6.4x12.5
96	0.014.4027.0	2	pin
101	2.0112.207.2	1	screw m 8 p 1.25 x 20
108	0.019.3993.0/30	1	duct
114	01393059	0.9	gasket
128	2.6560.021.0	2	wire guide 25x5x33x42h15
130	2.1470.004.2	2	lock washer 8
131	2.1011.205.2	2	nut m 8 p.1.25
132	04384850	2	contact surface m 8 x 25
136	0.021.1191.3	1	chassis frame
137	2.0112.005.2	2	screw m 6 p.1 x 16

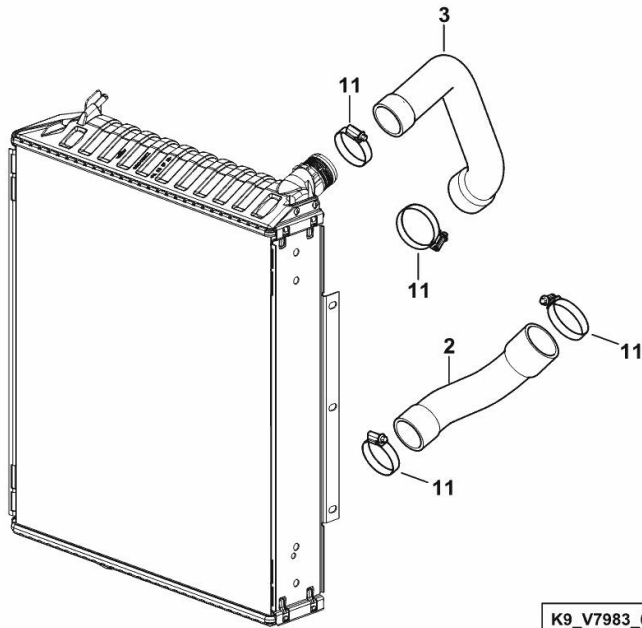
**RADIATOR HOSES**

Fig.	P/n	QTY	Name
------	-----	-----	------

**Notes:**

[FORTIS 160.4 -> WSXAP00200LS50010]

2	0.016.9278.0/10	1	tube
3	0.018.2086.0/10	1	tube
11	2.6859.157.0	4	clamp Ø 40/60



K9\_V7983\_03\_0-B-001

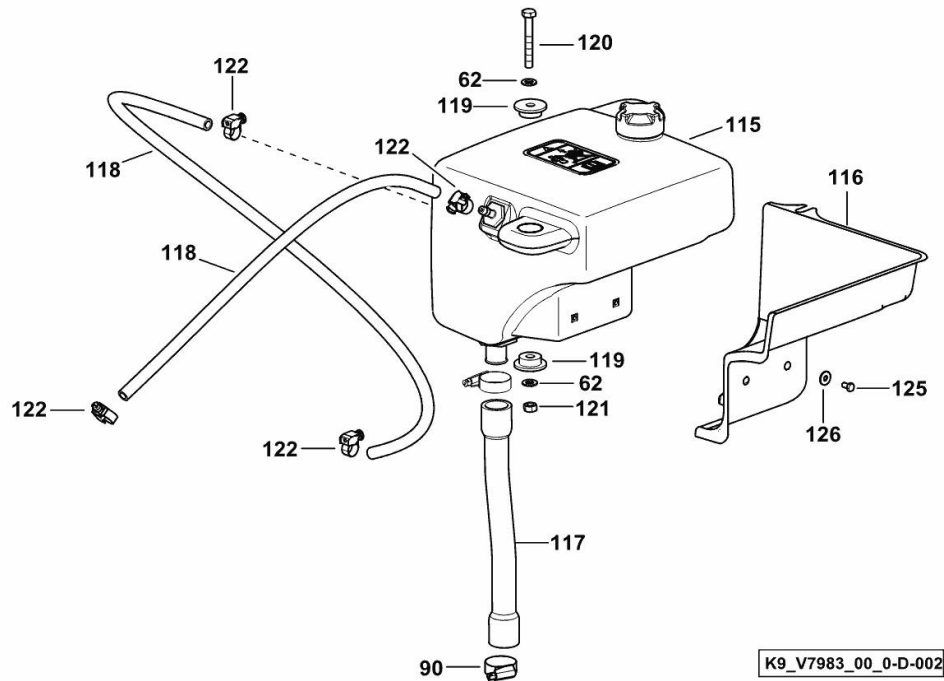
**COOLING - EXPANSION TANK**

Fig.	P/n	QTY	Name
------	-----	-----	------

**Notes:**

[FORTIS 160.4 -> WSXAP00200LS50010]

62	2.1310.004.2	11	flat washer 8.4x17
90	2.6851.003.0	3	clamp Ø 25/40
115	0.018.5486.4/30	1	small tank ☞ 0.018.5486.4/30
116	0.019.6579.0	1	insulator
117	0.019.6328.0/10	1	tube
118	0.012.6457.0	2	tube
119	04432147	4	ring
120	2.0112.221.2	2	screw m 8 p.1.25 x 60
121	2.1011.105.2	2	nut m 8 p.1.25
122	01173965	4	clamp 10-16/9 h3461
125	2.0114.102.2	2	screw m 5x10
126	2.1312.002.2	2	washer 5



K9\_V7983\_00\_0-D-002

**<https://www.ebooklibonline.com>**

Hello dear friend!

Thank you very much for reading.

Enter the link into your browser.

The full manual is available for immediate download.

**<https://www.ebooklibonline.com>**

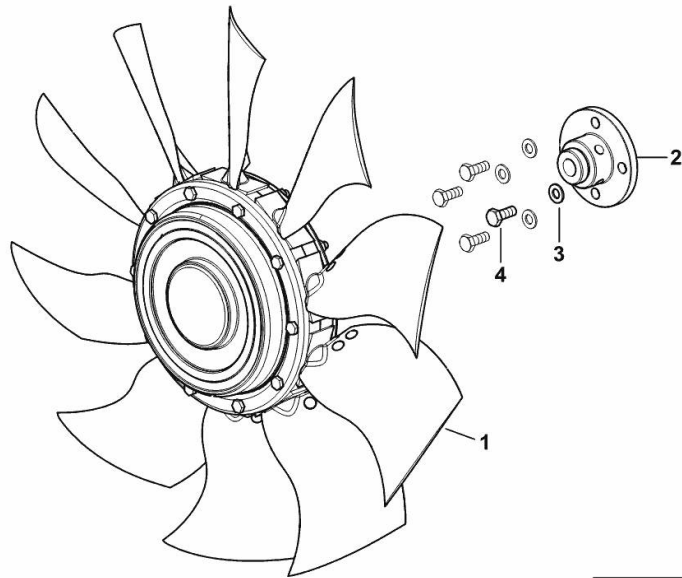
**ENGINE AIR BLOWER**

Fig.	P/n	QTY	Name
------	-----	-----	------

**Notes:**

[FORTIS 160.4 -> WSXAP00200LS50010]

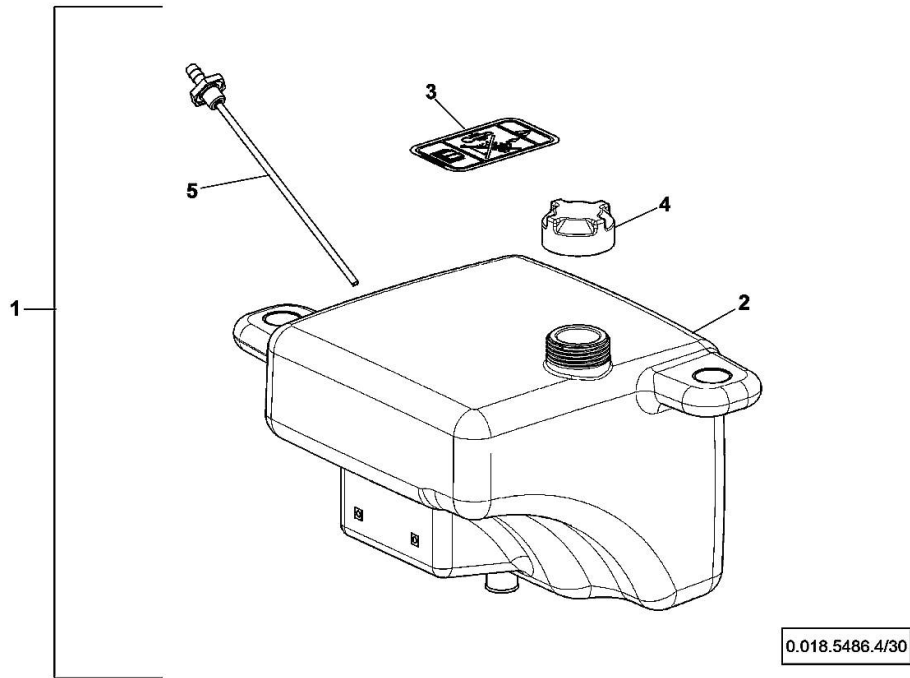
1	0.019.1872.4	1	fan
2	0.019.1937.0	1	hub
3	2.1310.004.2	4	flat washer 8.4x17
4	2.0112.207.2	4	screw m 8 p 1.25 x 20



K9\_V3986\_24\_0-A-002

**WATER TANK**

Fig.	P/n	QTY	Name
1	0.018.5486.4/30	1	small tank
2	0.000.0000.1		cannot be supplied
3	2.9939.280.0	1	plate
4	0.010.3465.1	1	plug
5	0.020.1742.3/10	1	tube



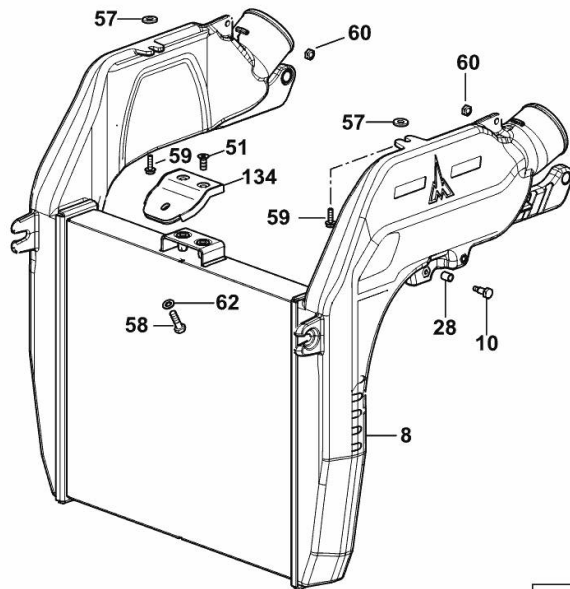
**INTERCOOLER**

Fig.	P/n	QTY	Name
------	-----	-----	------

**Notes:**

[FORTIS 160.4 -> WSXAP00200LS50010]

8	0.018.4677.3/90	1	intercooler
10	0.017.6888.0/10	1	pin
28	0.017.6889.0	1	bushing 8x10x13
51	2.0342.305.3	6	screw m 8 x 20
57	2.1499.215.0	2	washer 8.5x20x1
58	2.0112.210.2	5	screw m 8 p.1.25 x 28
59	2.0129.065.0	2	screw m 6 x 14
60	2.1012.005.7	2	nut m 8
62	2.1310.004.2	11	flat washer 8.4x17
134	0.020.8937.2/20	1	bracket



K9\_V7983\_00\_0-C-003

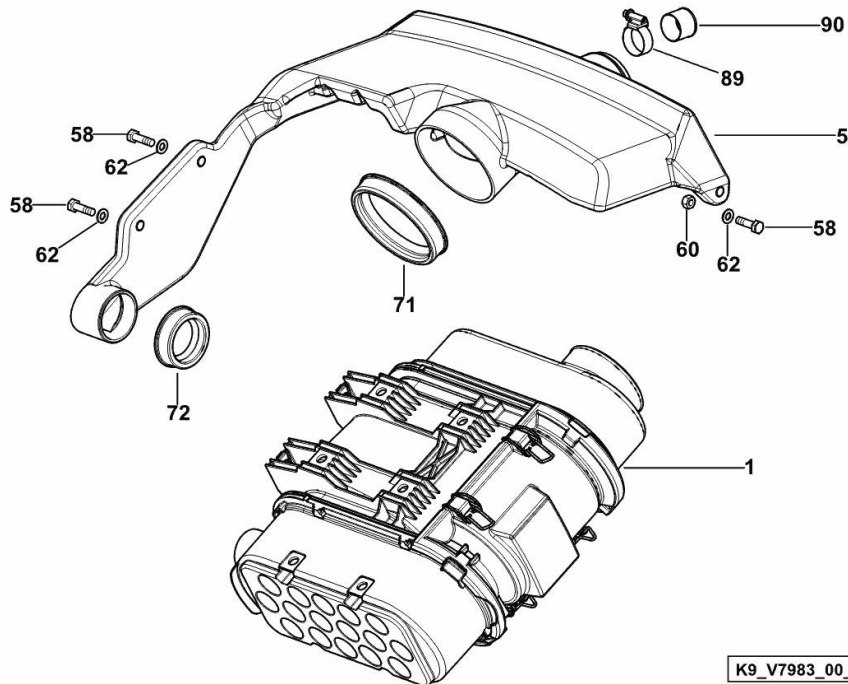
**AIR CLEANER**

Fig.	P/n	QTY	Name
------	-----	-----	------

**Notes:**

[FORTIS 160.4 -> WSXAP00200LS50010]

1	2.4249.736.0	1	air filter 9" ☞ 2.4249.736.0
5	0.020.8932.4/10	1	air duct
58	2.0112.210.2	5	screw m 8 p.1.25 x 28
60	2.1012.005.7	2	nut m 8
62	2.1310.004.2	11	flat washer 8.4x17
71	0.014.5354.0/10	1	sleeve
72	0.014.5355.0/10	1	sleeve
89	04454357	1	tube
90	2.6851.003.0	3	clamp Ø 25/40



K9\_V7983\_00\_0-B-002

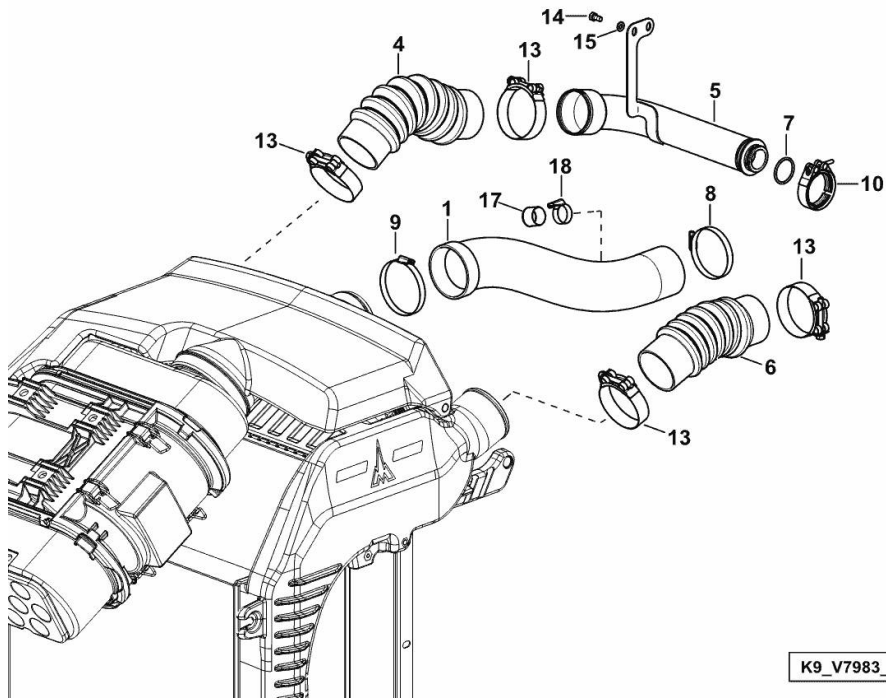
**COOLING SYSTEM**

Fig.	P/n	QTY	Name
------	-----	-----	------

**Notes:**

[FORTIS 160.4 -> WSXAP00200LS50010]

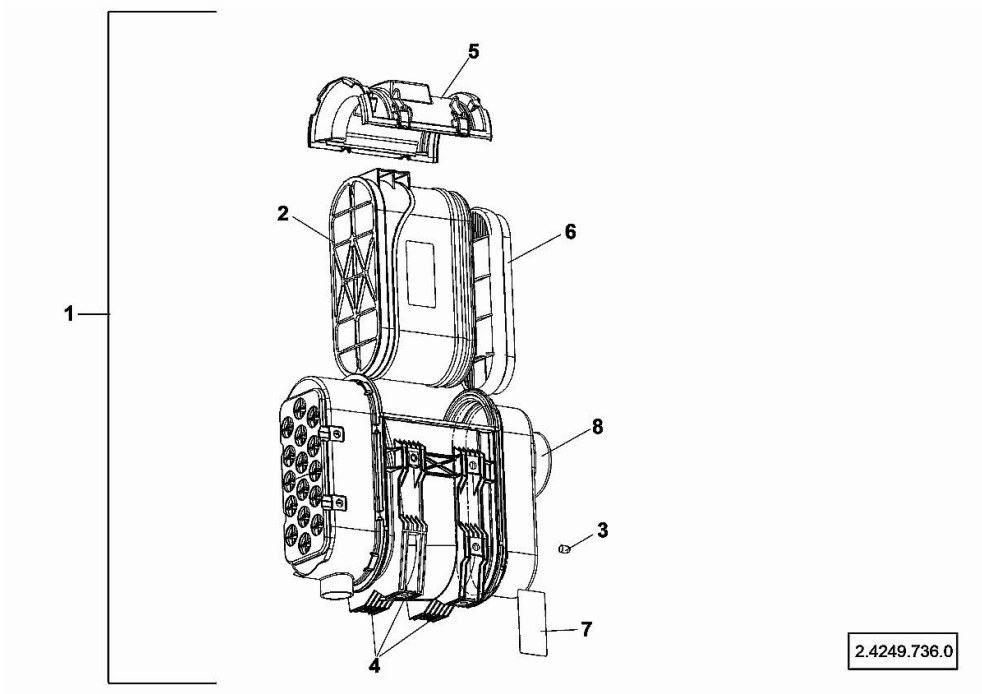
1	0.019.9146.4	1	tube
4	0.018.7382.0	1	tube dx/rh/re
5	0.018.5396.4/20	1	tube
6	0.018.7051.0/10	1	tube
7	2.1532.517.0	1	oil seal
8	2.6851.008.0	1	clamp Ø 70/90
9	2.6851.010.0	1	clamp 90/110
10	2.6859.112.0	1	clamp Ø 68 mm
13	2.6859.167.0	4	clamp Ø 85-91
14	2.0114.205.2	2	screw m 8 p.1.25 x 16
15	2.1310.004.2	2	flat washer 8.4x17
17	04454357	1	tube
18	2.6851.003.0	1	clamp Ø 25/40



K9\_V7983\_03\_0-A-002

**AIR CLEANER**

Fig.	P/n	QTY	Name
1	2.4249.736.0	1	air filter 9"
2	0.900.0272.0	1	external air filter element
3	0.900.1456.7	1	cap
4	0.900.0272.4	3	clip
5	0.900.1409.6	1	cover
6	0.900.0272.1	1	internal air filter element
7	0.000.0000.1		cannot be supplied
8	0.000.0000.1		cannot be supplied

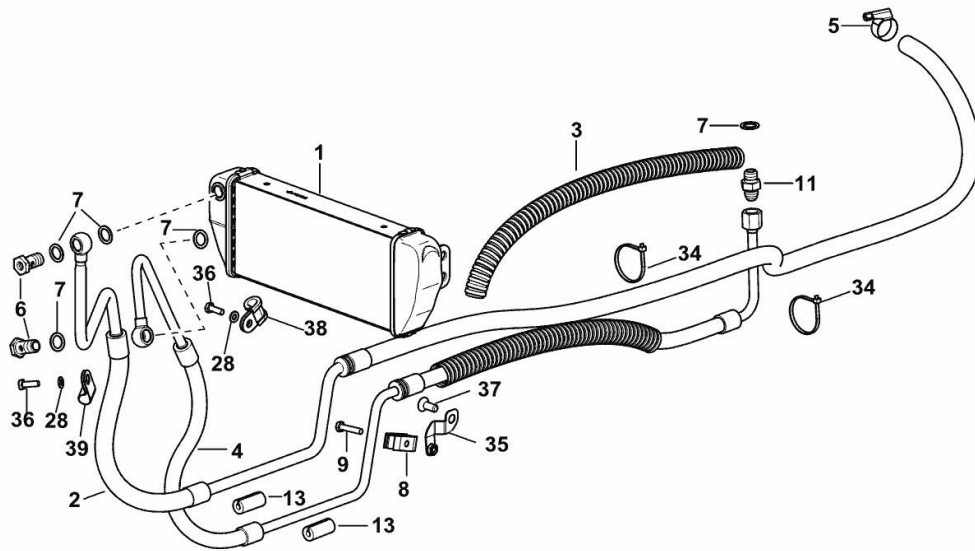


**FUEL COOLER**

Fig.	P/n	QTY	Name
------	-----	-----	------

**Notes:**

[FORTIS 160.4 -> WSXAP00200LS50010]



1	0.019.0618.4	1	radiator
2	0.020.1743.3/40	1	tube
3	0.016.3320.0/20	2	hose reel mm 440
4	0.020.1741.3/20	1	tube
5	2.6851.001.0	2	clamp Ø 16/25
6	2.3335.006.2	2	pipe union m 14 p.1.5X26
7	2.1569.225.0	5	oil seal
8	2.3321.009.0	1	clamp 10-12
9	2.0112.011.2	2	screw m 6 p.1x30
11	2.3261.006.2	1	pipe fitting
13	01218045	2	rubber plug
28	2.1310.002.2	6	flat washer 6.4x12.5
34	2.6852.101.0	2	clamp 142x3.6
35	0.020.1740.3	1	bracket
36	2.0112.006.2	2	screw m 6 p.1 x 18
37	2.0342.305.3	1	screw m 8 x 20
38	2.6839.055.0	1	clamp Ø 11 / 20
39	2.6839.077.0	1	clamp

K9\_V3981\_02\_0-B-002

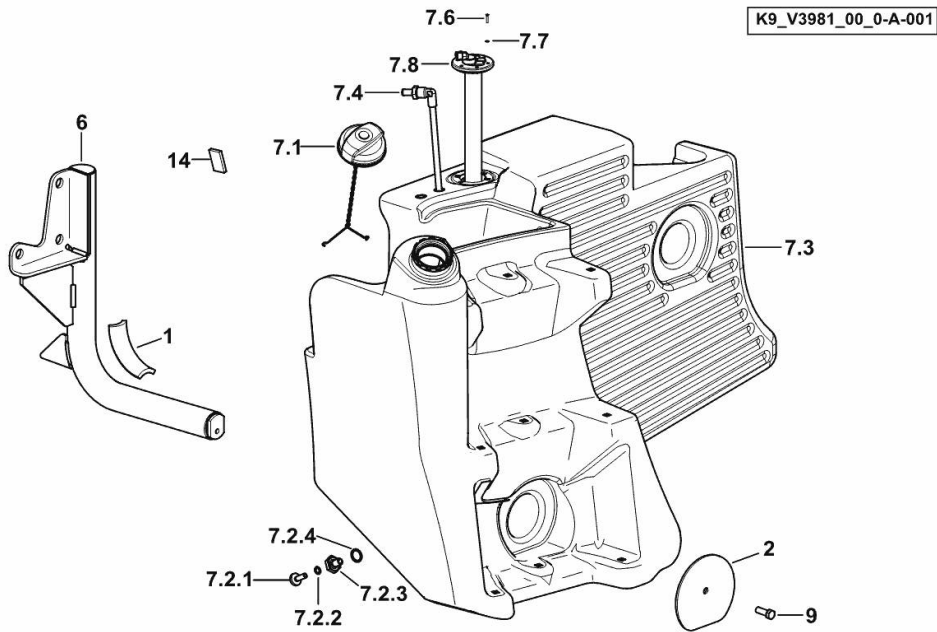
**FUEL TANK SX/LH/LI**

Fig.	P/n	QTY	Name
------	-----	-----	------

**Notes:**

[FORTIS 160.4 -> WSXAP00200LS50010]

1	0.015.7103.0	1	gasket 60x150x18
2	0.018.7194.0	1	plate
6	0.019.1510.3/20	1	bracket
7.1	0.016.0151.4	1	plug ☞ 0.016.0151.4
7.2.1	0.016.9607.0	1	plug m10
7.2.2	2.1560.006.0	1	gasket 10.2 x 16
7.2.3	0.016.9605.0	1	plug m14
7.2.4	2.1539.040.0	1	special oil seal 21.82 x 3.53
7.3	0.019.1518.3/30	1	fuel tank
7.4	0.018.4039.3	1	tube
7.6	2.0312.705.2	6	screw
7.7	2.1310.028.2	6	flat washer
7.8	2.7059.015.0	1	float
9	2.0112.413.2	1	screw m 12 p.1.75x35
14	0.016.2235.0	24	gasket



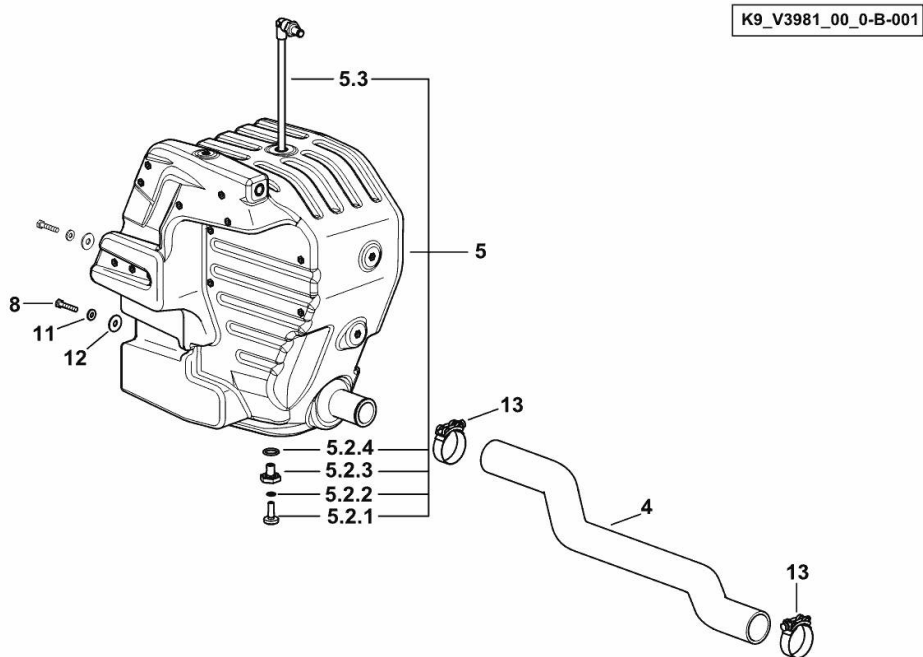
**FUEL SYSTEM - TANK DX/RH/RE**

Fig.	P/n	QTY	Name
------	-----	-----	------

**Notes:**

[FORTIS 160.4 -> WSXAP00200LS50010]

4	0.019.7457.0	1	tube
5	0.019.1029.4/20	1	fuel tank
5.2.1	0.016.9607.0	1	plug m10
5.2.2	2.1560.006.0	1	gasket 10.2 x 16
5.2.3	0.016.9605.0	1	plug m14
5.2.4	2.1539.040.0	1	special oil seal 21.82 x 3.53
5.3	0.018.4044.3	1	tube
8	2.0112.215.2	2	screw m 8 p.1.25 x 40
11	2.1310.004.2	2	flat washer 8.4x17
12	2.1312.005.2	2	washer 10.2
13	2.6859.155.0	2	clamp Ø 59/63



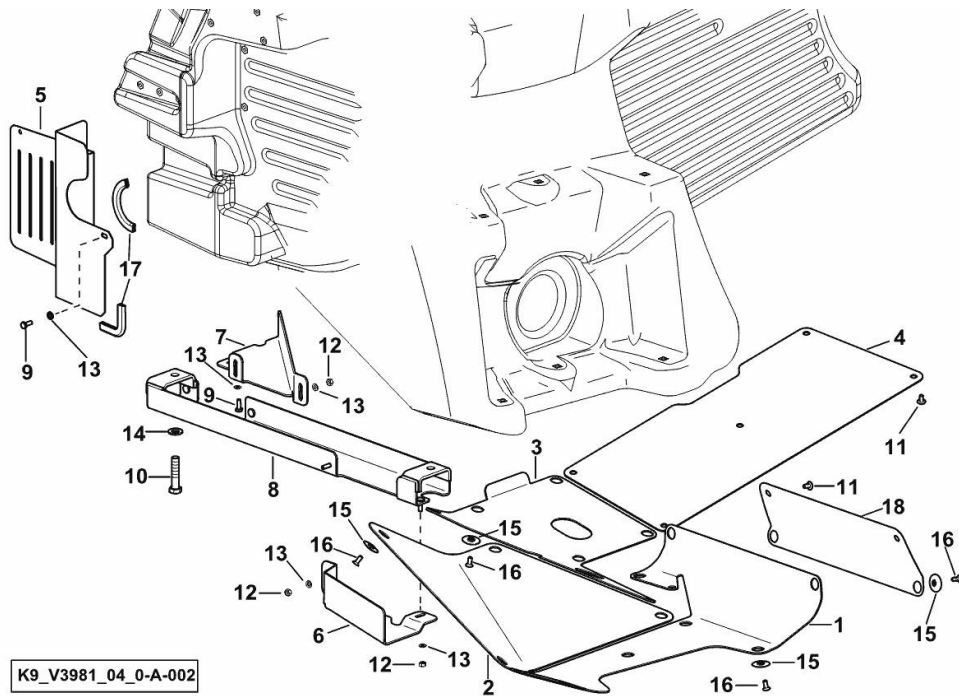
**TANK GUARDS**

Fig.	P/n	QTY	Name
------	-----	-----	------

**Notes:**

[FORTIS 160.4 -> WSXAP00200LS50010]

1	0.018.3740.0/20	1	guard
2	0.018.3743.0/10	1	guard
3	0.018.4544.0/10	1	guard
4	0.018.4554.0/10	1	guard
5	0.018.9403.0/10	1	shield dx/rh/re
6	0.019.0138.0	1	guard
7	0.019.0409.0	1	guard dx/rh/re
8	0.019.0416.3/10	1	crosspiece
9	2.0112.005.2	4	screw m 6 p.1 x 16
10	2.0112.420.2	2	screw m 12 p.1.75x55
11	2.0339.015.3	9	screw m 8 p.1.25 x 12
12	2.1011.103.2	4	nut m 6 p.1
13	2.1310.002.2	8	flat washer 6.4x12.5
14	2.1310.007.2	2	flat washer 13 x 24
15	2.1399.048.2	18	shim
16	2.0342.203.3	18	screw m 6 p.1.0 x 16
17	0.159.7255.0	2	gasket mm 105
18	0.020.8074.0	1	guard





**Suggest:**

**For more complete manuals. Please go to the home page.**

**<https://www.ebooklibonline.com>**

**If the above button click is invalid. Please download this document first, and then click the above link to download the complete manual.**

**Thank you so much for reading**

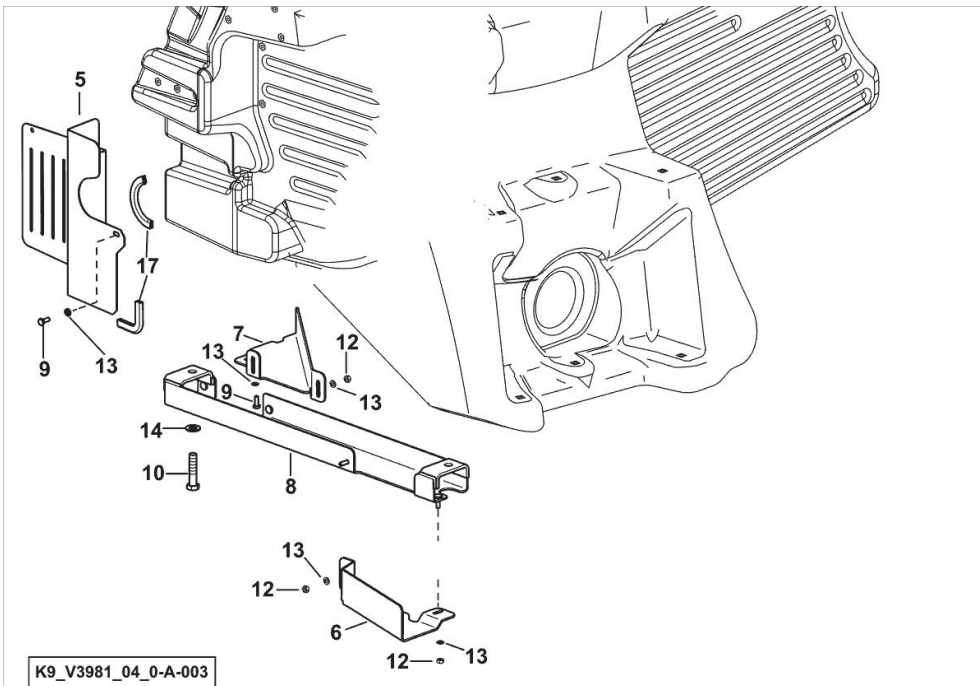
**TANK GUARDS**

Fig.	P/n	QTY	Name
------	-----	-----	------

**Notes:**

[FORTIS 160.4 -> WSXAP00200LS50010]

5	0.018.9403.0/10	1	shield dx/rh/re
6	0.019.0138.0	1	guard
7	0.019.0409.0	1	guard dx/rh/re
8	0.019.0416.3/10	1	crosspiece
9	2.0112.005.2	4	screw m 6 p.1 x 16
10	2.0112.420.2	2	screw m 12 p.1.75x55
12	2.1011.103.2	4	nut m 6 p.1
13	2.1310.002.2	8	flat washer 6.4x12.5
14	2.1310.007.2	2	flat washer 13 x 24
17	0.159.7255.0	2	gasket mm 105



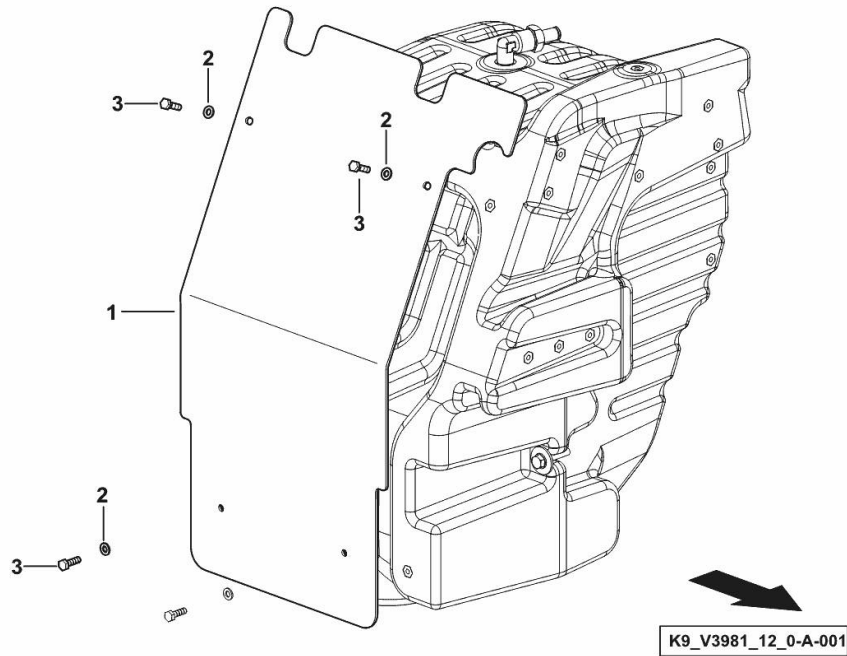
**TANK GUARDS DX/RH/RE**

Fig.	P/n	QTY	Name
------	-----	-----	------

**Notes:**

[FORTIS 160.4 -> WSXAP00200LS50010]

1	0.018.5667.0/30	1	shield
2	2.1310.002.2	4	flat washer 6.4x12.5
3	2.0112.007.2	4	screw m 6 p.1 x 20



**<https://www.ebooklibonline.com>**

Hello dear friend!

Thank you very much for reading.

Enter the link into your browser.

The full manual is available for immediate download.

**<https://www.ebooklibonline.com>**