

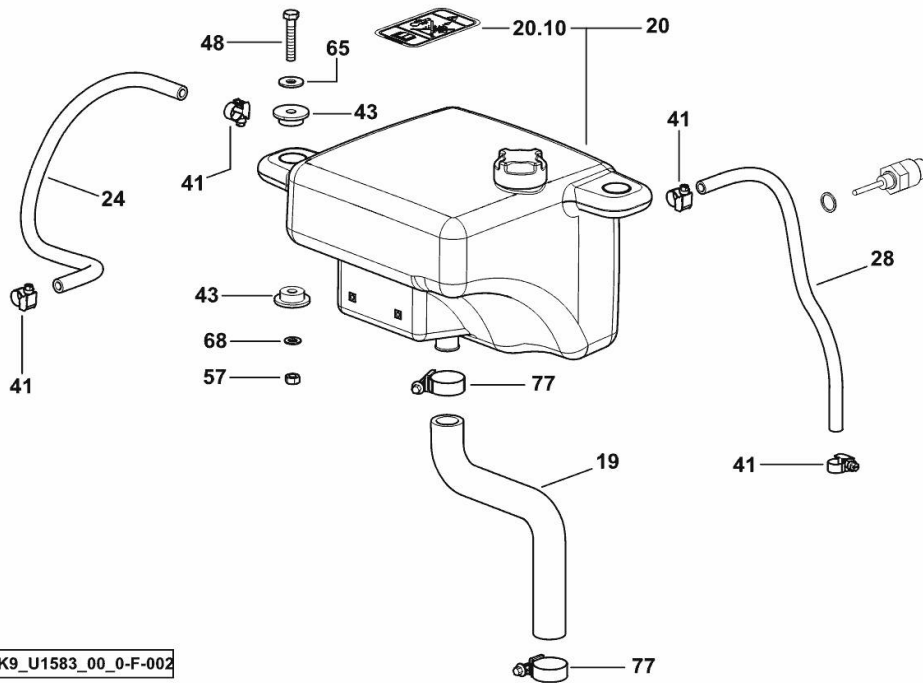
COOLING - EXPANSION TANK

Fig.	P/n	QTY	Name
------	-----	-----	------

Notes:

[FORTIS 150 ->WSXAS00200LS50010]

19	0.019.7070.0/10	1	tube
20	0.018.5486.4/30	1	small tank ☞ 0.018.5486.4/30
20.10	2.9939.280.0	1	plate
24	0.012.6457.0	1	tube
28	0.012.6457.0	1	tube
41	01173965	4	clamp 10-16/9 h3461
43	04432147	4	ring
48	2.0112.217.2	2	screw m 8 p.1.25 x 45
57	2.1011.105.2	10	nut m 8 p.1.25
65	2.1312.004.2	3	washer 8x24x2
68	2.1475.002.2	2	conical washer 8
77	2.6851.003.0	2	clamp Ø 25/40



K9_U1583_00_0-F-002

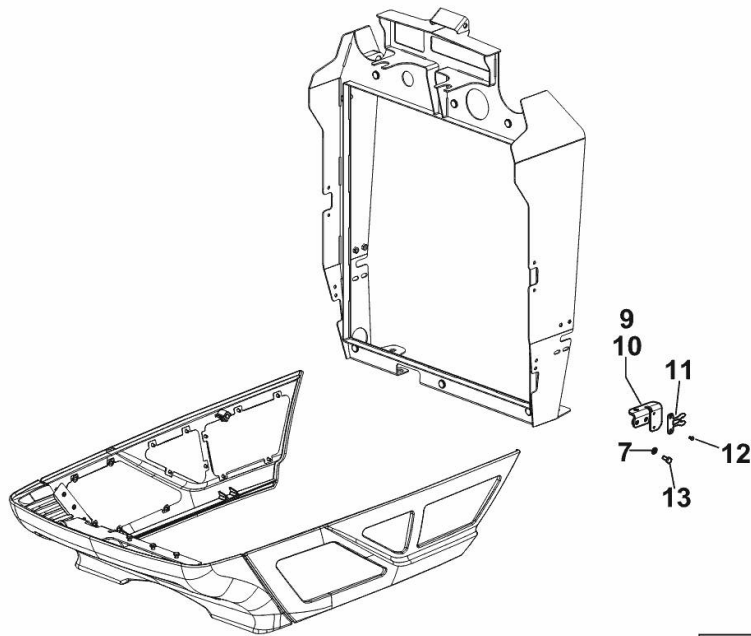
HOOD SIDE PANEL SX/LH/LI - DX/RH/RE

Fig.	P/n	QTY	Name
------	-----	-----	------

Notes:

[FORTIS 150 ->WSXAS00200LS50010] -> 50015

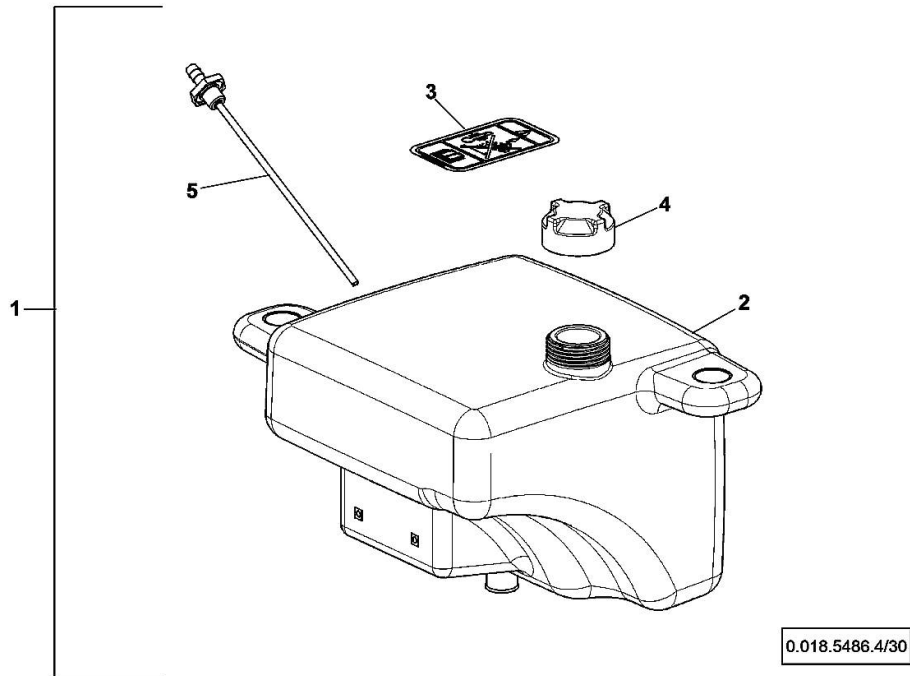
7	2.1310.002.2	15	flat washer 6.4x12.5
9	0.019.0244.3/10	1	bracket dx/rh/re
10	0.019.0245.3/10	1	bracket sx/lh/li
11	0.017.6361.0/30	2	stop
12	04414182	4	rivet 4.8
13	2.0112.004.2	4	screw m 6 p.1 x 14



K9_U1672_06_0-B-001

WATER TANK

Fig.	P/n	QTY	Name
1	0.018.5486.4/30	1	small tank
2	0.000.0000.1		cannot be supplied
3	2.9939.280.0	1	plate
4	0.010.3465.1	1	plug
5	0.020.1742.3/10	1	tube



<https://www.ebooklibonline.com>

Hello dear friend!

Thank you very much for reading.

Enter the link into your browser.

The full manual is available for immediate download.

<https://www.ebooklibonline.com>

INTERCOOLER

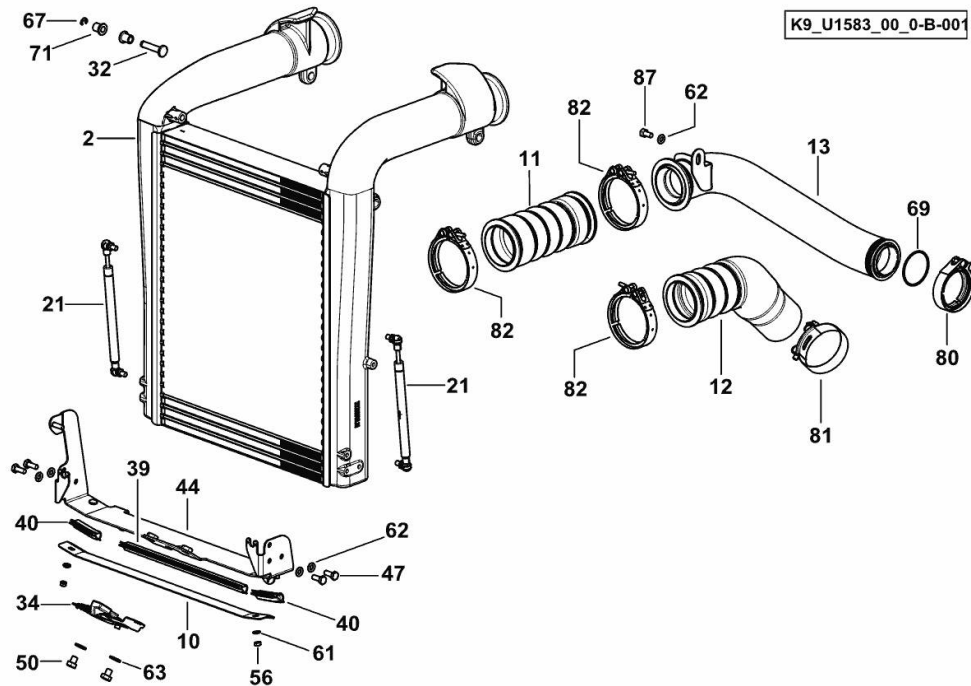


Fig.	P/n	QTY	Name
------	-----	-----	------

Notes:

[FORTIS 150 ->WSXAS00200LS50010]

2	0.021.2353.4	1	intercooler
10	0.019.0632.0/10	1	bracket
11	0.019.0603.4	1	sleeve
12	0.019.0594.4	1	sleeve
13	0.019.0617.2/10	1	tube
21	0.018.8024.4	2	shock absorber
32	0.017.4798.0	2	pin
34	0.013.3609.4	1	lock
39	0.019.0633.0	1	gasket
40	0.019.0634.0	2	gasket
44	0.019.0098.3/20	1	support
47	2.0112.207.2	4	screw m 8 p 1.25 x 20
50	2.0112.303.2	2	screw m 10 p.1.5x12
56	2.1011.103.2	4	nut m 6 p.1
61	2.1310.002.2	7	flat washer 6.4x12.5
62	2.1310.004.2	13	flat washer 8.4x17
63	2.1310.006.2	6	flat washer 10.5x21
67	2.1430.009.2	2	ring 8
69	2.1532.143.0	1	oil seal
71	2.1559.147.0	4	bushing
80	2.6859.118.0	1	clamp Ø 77
81	2.6859.148.2	1	clamp Ø 79-85
82	2.6859.166.0	3	clamp Ø 97
87	2.0112.205.2	1	screw m 8 p.1.25 x 16

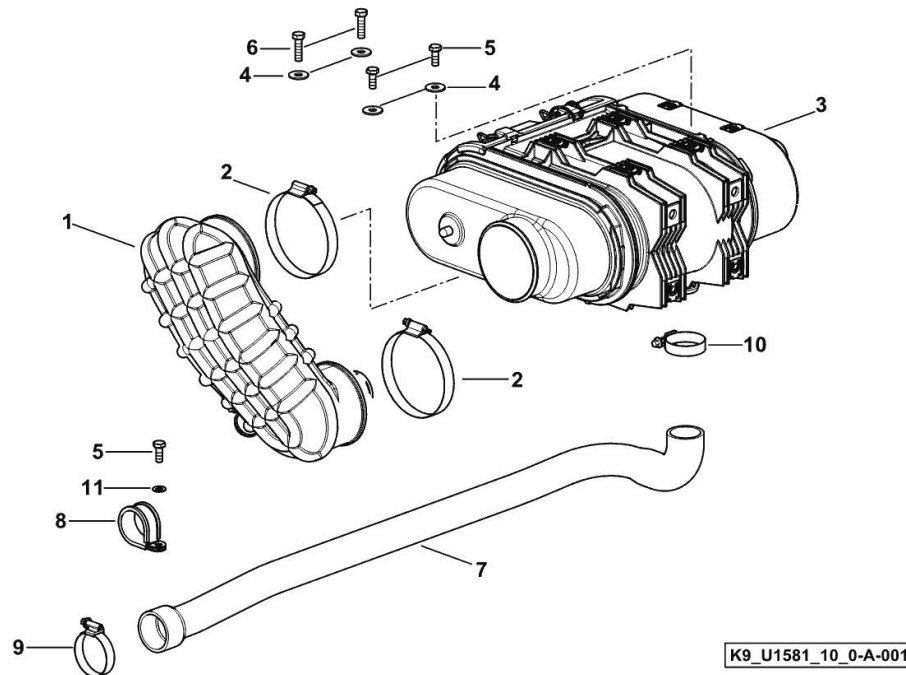
AIR CLEANER 9"

Fig.	P/n	QTY	Name
------	-----	-----	------

Notes:

[FORTIS 150 ->WSXAS00200LS50010]

1	0.018.4515.4/10	1	sleeve
2	2.6859.150.0	2	clamp 95/118
3	2.4249.731.0/20	1	air filter (-> 50010) ☞ 2.4249.731.0/20
4	2.1312.004.2	4	washer 8x24x2
5	2.0112.207.2	4	screw m 8 p 1.25 x 20
6	2.0112.211.2	2	screw m 8 p.1.25 x 30
7	0.019.0627.0/10	1	tube
8	2.6839.069.0	2	clamp 40/20
9	2.6851.005.0	1	clamp Ø 40/60
10	2.6851.004.0	1	clamp Ø 32/50
11	2.1310.004.2	2	flat washer 8.4x17



K9_U1581_10_0-A-001

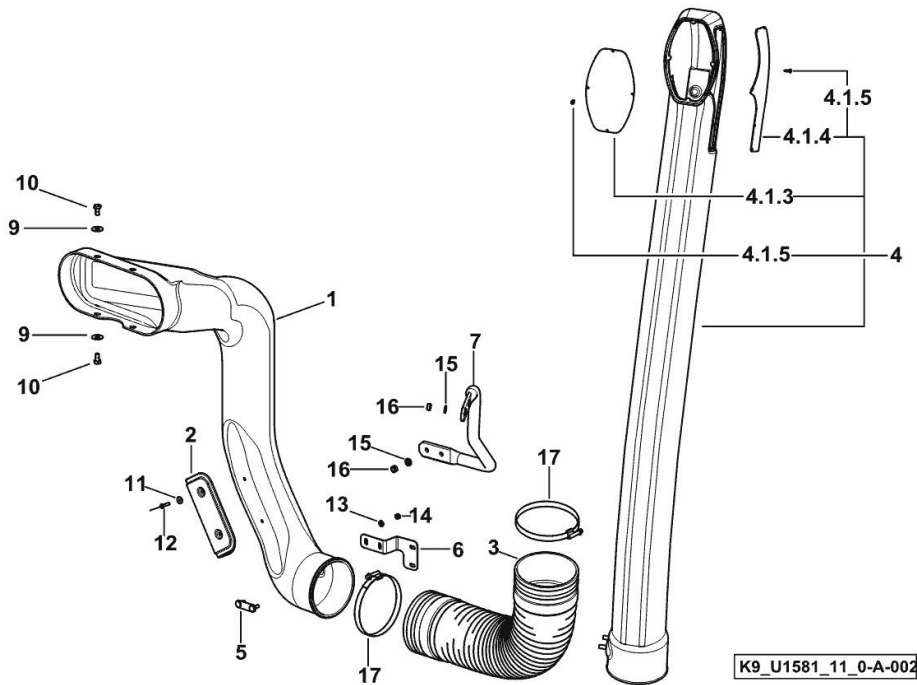
ENGINE AIR INTAKE PIPE

Fig.	P/n	QTY	Name
------	-----	-----	------

Notes:

[FORTIS 150 ->WSXAS00200LS50010]

1	0.018.1449.0/30	1	sleeve
2	0.018.1794.0	1	shield
3	0.015.7527.0	1	tube
4	04431291.4	1	tube
4.1.3	04434787	1	plate
4.1.4	04434788	1	plate
4.1.5	04423627	13	stop
5	0.017.8380.3	1	small plate
6	0.017.8369.0/20	1	bracket
7	04453928	1	support
9	2.1312.004.2	4	washer 8x24x2
10	2.0112.205.2	4	screw m 8 p.1.25 x 16
11	2.1312.002.2	2	washer 5
12	2.1851.005.0	2	rivet 4.8
13	2.1310.002.2	2	flat washer 6.4x12.5
14	2.1011.103.2	2	nut m 6 p.1
15	2.1310.004.2	4	flat washer 8.4x17
16	2.1011.105.2	4	nut m 8 p.1.25
17	2.6851.013.0	2	clamp 120-140



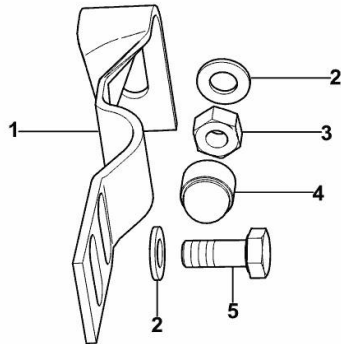
ENGINE AIR INTAKE PIPE BRACKET

Fig.	P/n	QTY	Name
------	-----	-----	------

Notes:

[FORTIS 150 ->WSXAS00200LS50010]

1	04413465	1	bracket
2	2.1310.004.2	2	flat washer 8.4x17
3	2.1011.105.2	1	nut m 8 p.1.25
4	01174042	1	cap
5	2.0114.207.2	1	screw m 8 p.1.25 x 20



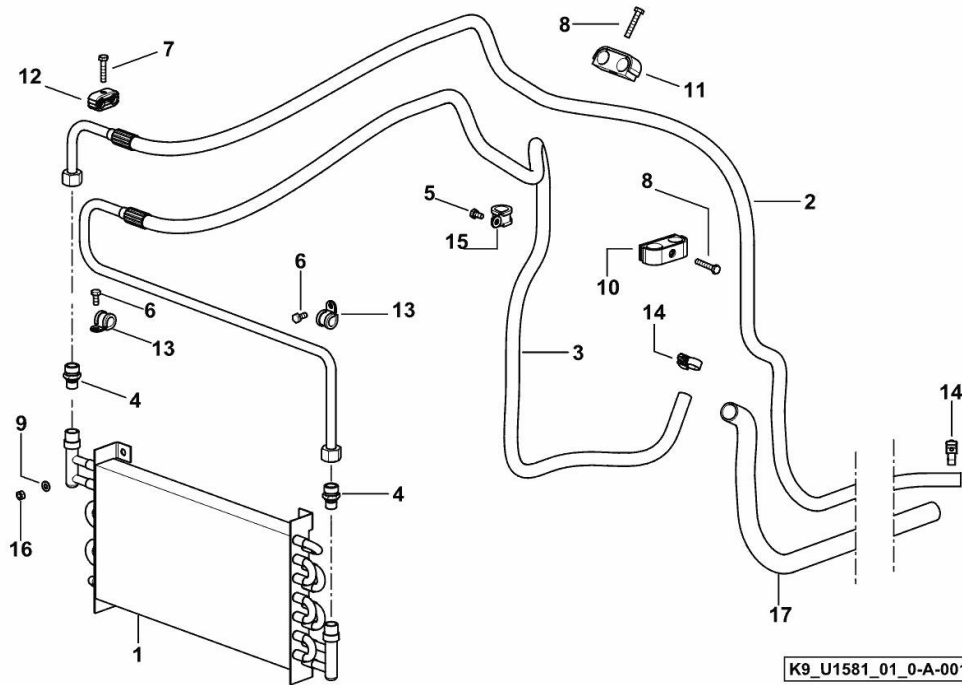
K9_U1581_12_0-A-001

FUEL COOLER

Fig.	P/n	QTY	Name
------	-----	-----	------

Notes:

[FORTIS 150 ->WSXAS00200LS50010]



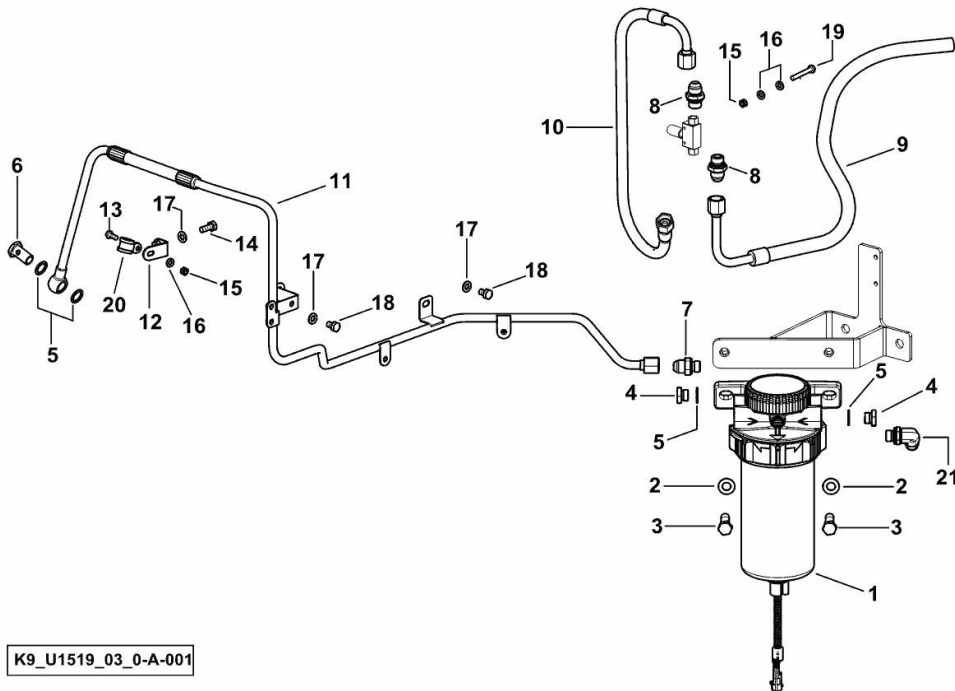
1	0.018.8033.4	1	radiator
2	0.019.0278.3	1	tube
3	0.019.0279.3	1	tube
4	04453868	2	pipe fitting m 14 p.1.5
5	2.0112.003.2	1	screw m 6 p.1 x 12
6	2.0112.004.2	2	screw m 6 p.1 x 14
7	2.0112.011.2	1	screw m 6 p.1x30
8	2.0112.013.2	2	screw m 6 p.1 x 35
9	2.1310.002.2	4	flat washer 6.4x12.5
10	2.3320.220.0	1	terminal Ø 18/20 - typ A
11	2.3320.319.0	1	terminal
12	2.3321.010.0	1	collar Ø 12/12
13	2.6839.059.0	2	clamp Ø 12 / 15
14	2.6851.019.0	2	clamp Ø 13/20
15	2.6839.053.0	1	clamp Ø 17/15
16	2.1011.103.2	4	nut m 6 p.1
17	0.016.7110.0	1	sheath mm 2317

FUEL FEED PIPES AND PREFILTER

Fig.	P/n	QTY	Name
------	-----	-----	------

Notes:

[FORTIS 150 ->WSXAS00200LS50010]



1	2.4319.300.0/20	1	precleaner ☞ 2.4319.300.0/20
2	2.1310.007.2	2	flat washer 13 x 24
3	2.0114.415.2	2	screw m 12 p.1.75 x 40
4	2.3110.404.2	2	plug m 16 p.1.5
5	2.1560.012.0	4	gasket 16.2 x 22
6	2.3335.007.2	1	pipe union m 16 p.1.5x28
7	2.3249.227.2	1	pipe fitting m 16 p.1.5-3/4"
8	2.3249.138.2	2	pipe fitting m 18 - 3/4" JIC
9	0.015.9527.3/10	1	pipng
10	0.015.9526.3	1	pipng
11	0.018.9697.3/10	1	tube
12	0.017.5170.3	1	bracket
13	2.0112.005.2	1	screw m 6 p.1 x 16
14	2.0112.207.2	1	screw m 8 p 1.25 x 20
15	2.1011.103.2	3	nut m 6 p.1
16	2.1310.002.2	5	flat washer 6.4x12.5
17	2.1310.004.2	3	flat washer 8.4x17
18	2.0112.203.2	2	screw m 8 p.1.25 x 12
19	2.0112.017.2	2	screw m 6 p.1x45
20	2.6839.059.0	1	clamp Ø 12 / 15
21	2.3249.101.2	1	pipe fitting m 16 p1.5

K9_U1519_03_0-A-001

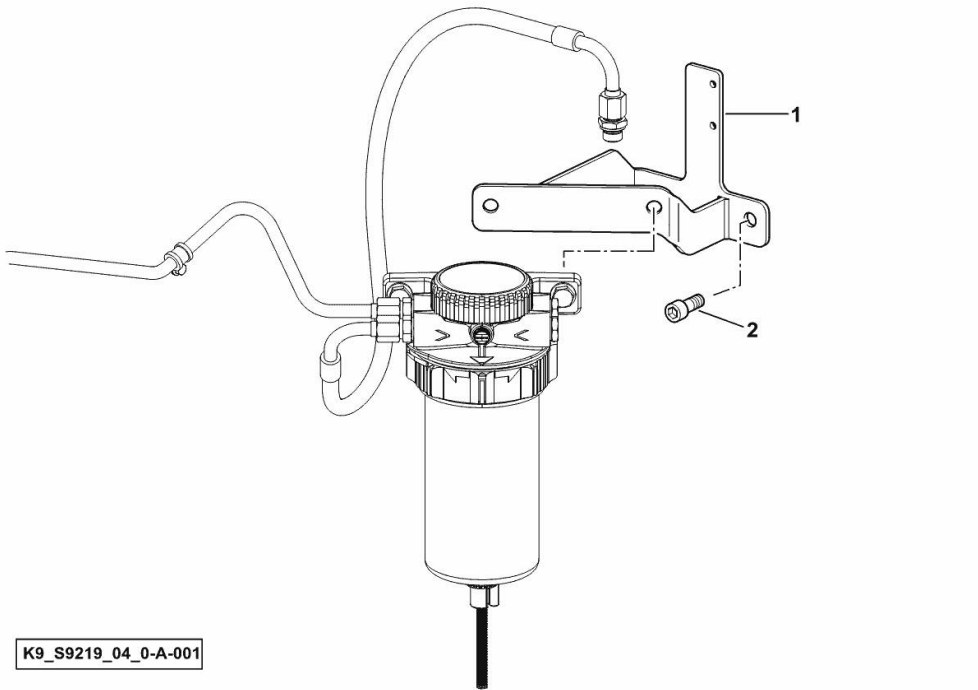
FUEL PRE-FILTER SUPPORT

Fig.	P/n	QTY	Name
------	-----	-----	------

Notes:

[FORTIS 150 ->WSXAS00200LS50010]

1	0.017.6497.3/20	1	support
2	2.0312.410.2	2	screw m 12 p.1.75 x 30



K9_S9219_04_0-A-001



Suggest:

For more complete manuals. Please go to the home page.

<https://www.ebooklibonline.com>

If the above button click is invalid. Please download this document first, and then click the above link to download the complete manual.

Thank you so much for reading

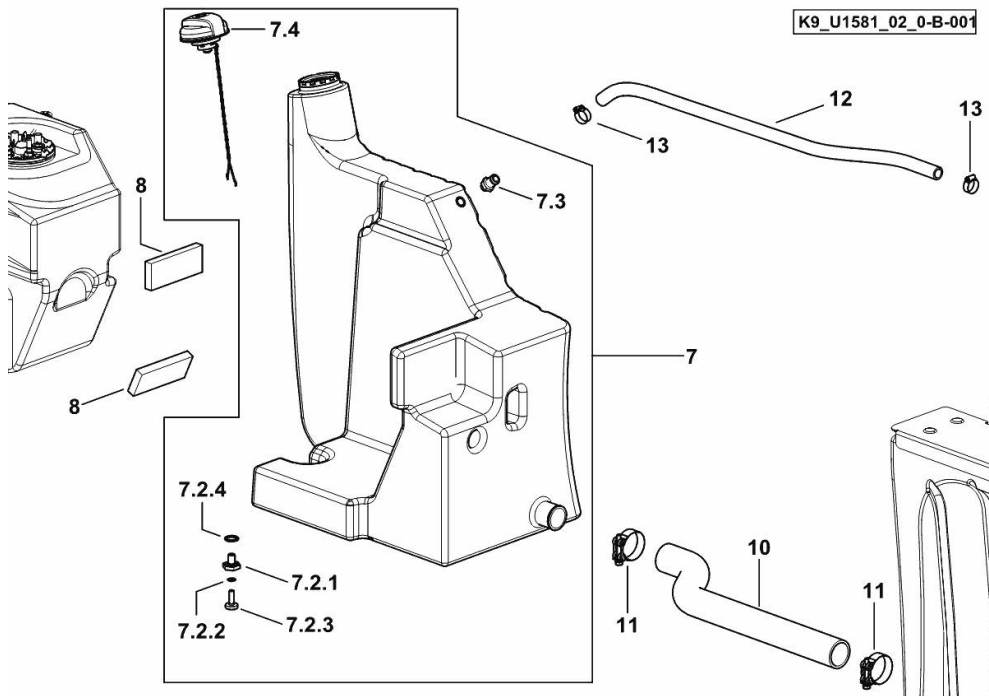
FUEL TANK DX/RH/RE

Fig.	P/n	QTY	Name
------	-----	-----	------

Notes:

[FORTIS 150 ->WSXAS00200LS50010]

7	0.018.2154.4/50	1	fuel tank dx/rh/re
7.2.1	0.016.9607.0	1	plug m10
7.2.2	2.1560.006.0	1	gasket 10.2 x 16
7.2.3	0.016.9605.0	1	plug m14
7.2.4	2.1539.040.0	1	special oil seal 21.82 x 3.53
7.3	2.3249.245.0	1	pipe fitting Ø 12 / 3/8" GAS
7.4	0.019.6285.4	1	plug (-> 50010)
8	0.015.7103.0	2	gasket 60x150x18
10	0.018.3886.0/10	1	tube
11	2.6859.155.0	2	clamp Ø 59/63
12	0.019.9244.0	1	tube
13	01173962	2	clamp Ø 20/32

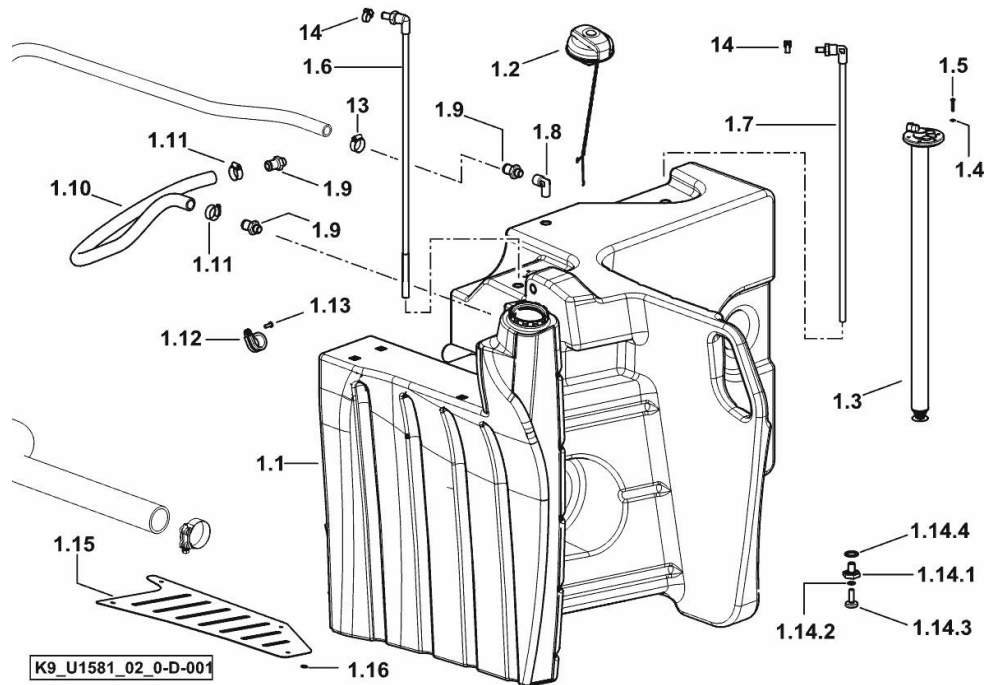


FUEL TANK SX/LH/LI

Fig.	P/n	QTY	Name
------	-----	-----	------

Notes:

[FORTIS 150 ->WSXAS00200LS50010]



1.1	0.018.6779.3/40	1	fuel tank sx/lh/li
1.2	0.019.6285.4	1	plug (-> 50010)
1.3	2.7059.016.0	1	float
1.4	2.1310.028.2	6	flat washer
1.5	2.0332.208.2	6	screw m4x25
1.6	0.016.7111.3/20	1	tube
1.7	0.016.7518.3/10	1	tube
1.8	2.3249.224.0	1	pipe fitting Ø 22 / 3/8" GAS
1.9	2.3249.245.0	3	pipe fitting Ø 12 / 3/8" GAS
1.10	0.018.8394.0/10	1	tube
1.11	01173962	2	clamp Ø 20/32
1.12	2.6839.068.0	1	clamp Ø 27
1.13	2.0332.406.2	5	screw m 6 p.1.0 x 16
1.14.1	0.016.9607.0	1	plug m10
1.14.2	2.1560.006.0	1	gasket 10.2 x 16
1.14.3	0.016.9605.0	1	plug m14
1.14.4	2.1539.040.0	1	special oil seal 21.82 x 3.53
1.15	0.018.7319.0/20	1	guard
1.16	2.1310.002.2	4	flat washer 6.4x12.5
13	01173962	2	clamp Ø 20/32
14	2.6851.019.0	2	clamp Ø 13/20

<https://www.ebooklibonline.com>

Hello dear friend!

Thank you very much for reading.

Enter the link into your browser.

The full manual is available for immediate download.

<https://www.ebooklibonline.com>