

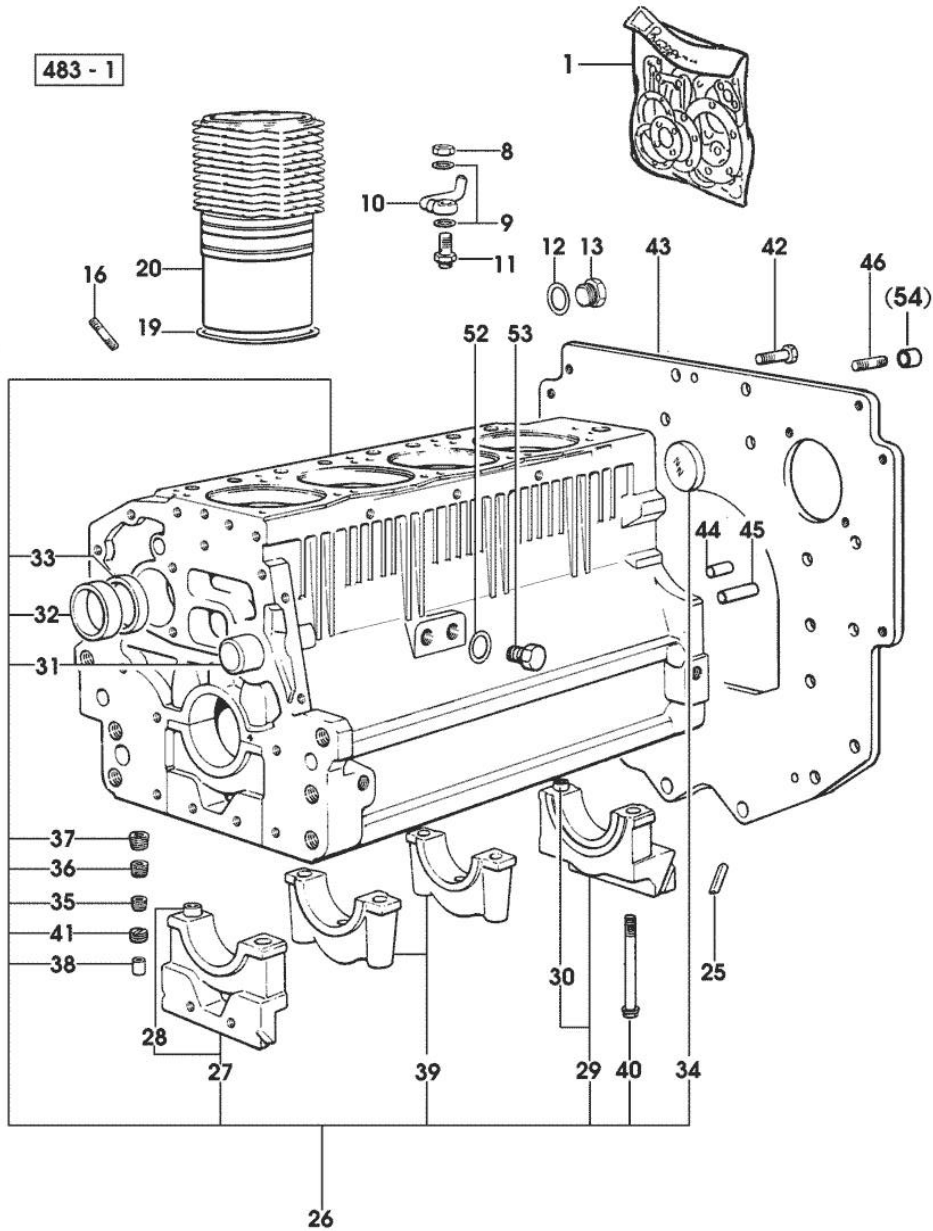
CRANKCASE

Fig.	P/n	QTY	Name
------	-----	-----	------

Notes:

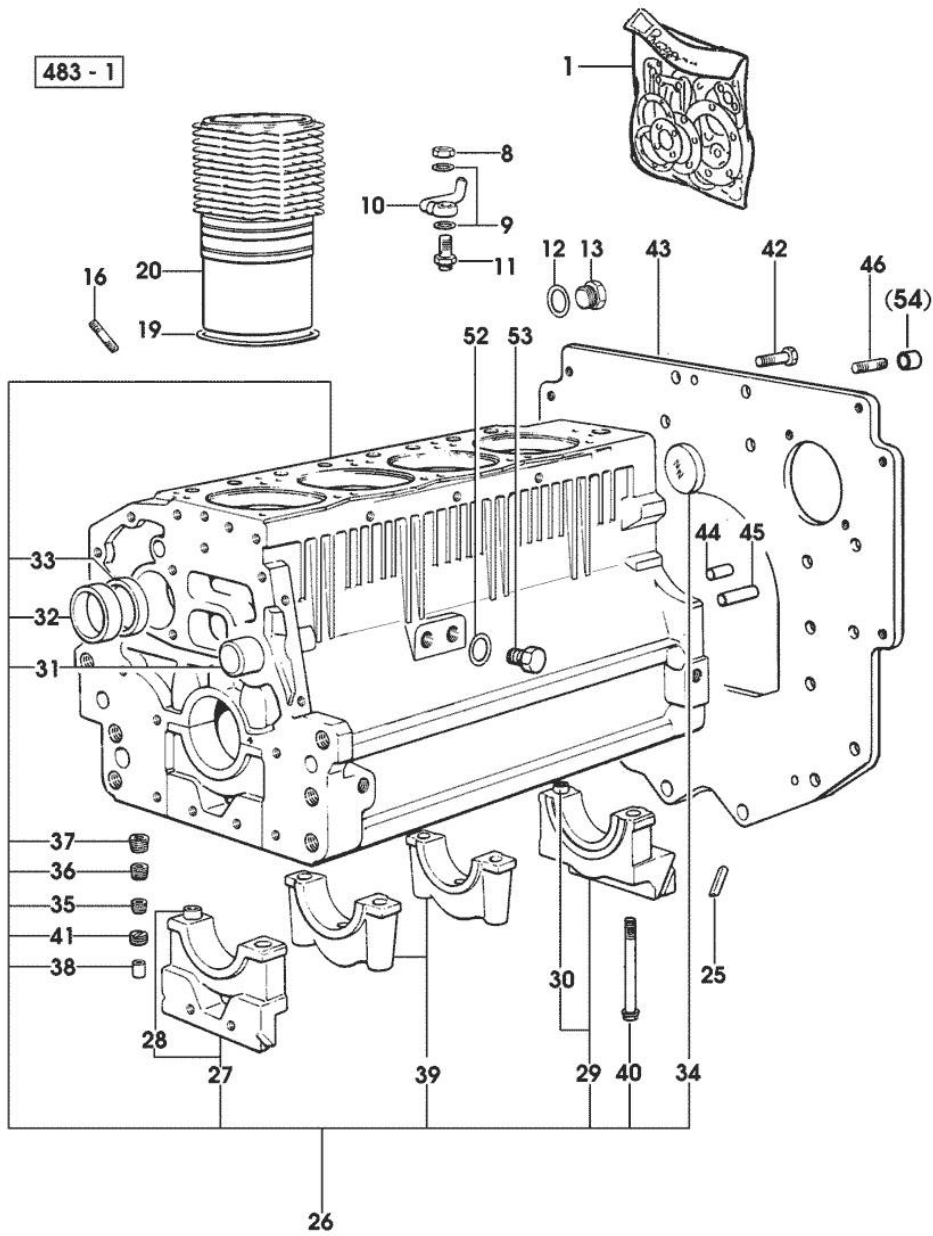
[EXPLORER 70 C Ergomatic]

1	0.087.0050.6/10		gasket set - FOR ENGINE MOUNTING
8	2.1099.108.2	4	special nut m 10 p.1
9	2.1560.006.0	8	gasket 10.2 x 16
10	0.086.1550.2	4	sprayer nozzle
11	0.065.1160.3/20	4	valve
12	2.1539.047.0	1	special oil seal 26.7x1.78
13	2.3199.405.2	1	plug m 28 p.1.5
16	2.0432.003.7	12	stud bolt m 8 p.1.25 / p.1 x 20
19	2.1519.096.0/20	4	special oil seal 107.67x1.78 26012 <- X 70C - 80C 6768 <- X 90C TURBO
19	2.1539.130.0/10	4	special oil seal 117.07x3.53 -> 26013 X 70C - 80C -> 6769 X 90C TURBO
20	0.007.0762.0/50	4	engine cylinder -> (...) - 12213 <- X 70C -> (...) - 12268 <- X 80C -> (...) - 2571 <- X 90C T
20	0.085.1120.0/10	4	engine cylinder (...) <-
20	0.A13.0355.0	4	engine cylinder "A" -> 12214 X 70C -> 12269 X 80C -> 2572 X 90C T
20	0.B13.0355.0	4	engine cylinder "B" -> 12214 X 70C -> 12269 X 80C -> 2572 X 90C T
25	0.066.1152.0/10	4	gasket
26	0.007.1140.6/10	1	crankcase -> 26013 X 70C - 80C -> 6769 X 90C TURBO
26	0.086.1110.6	1	crankcase 26012 <- X 70C - 80C 6768 <- X 90C TURBO
27	0.065.1112.7	1	support
28	2.1699.165.0	1	bush 12.3x15x16
29	0.065.1116.3	1	support
30	2.1699.165.0	1	bush 12.3x15x16
31	0.066.1151.0	1	pin



CRANKCASE

Fig.	P/n	QTY	Name
32	0.065.1141.0	1	special bushing 59X55X30
33	0.065.1140.0	4	special bushing 59X55X20
34	2.3179.012.0	1	plug 60
35	2.3130.001.1	10	plug 1/8" gas
36	2.3130.002.1	2	plug 1/4" gas
37	2.3130.003.1	7	plug 3/8" gas
38	2.3199.092.0	4	plug 8 x 12
39	0.065.1114.0/10	3	support
40	0.065.1117.0	10	screw m 12 x 100
41	2.1324.011.0	1	plug
42	2.0112.511.1	8	screw m 14 p.2 x 30
43	0.007.9137.0	1	flange -> (...)
43	0.065.1164.0/20	1	flange (...) <-
44	2.1651.912.0	2	cylindrical plug 12x28
45	2.1651.917.0	1	cylindrical plug 12x40
46	2.0432.255.7	1	stud bolt m 12 p.1.75-1.25x25
46	2.0439.250.7	1	stud bolt m 12 / m 10 x 30
52	2.1560.017.0	1	gasket 22.2 x 27
53	2.3120.002.4	1	plug m 22 x 1.5
54	0.011.9294.0/10	1	bush



483 - 1

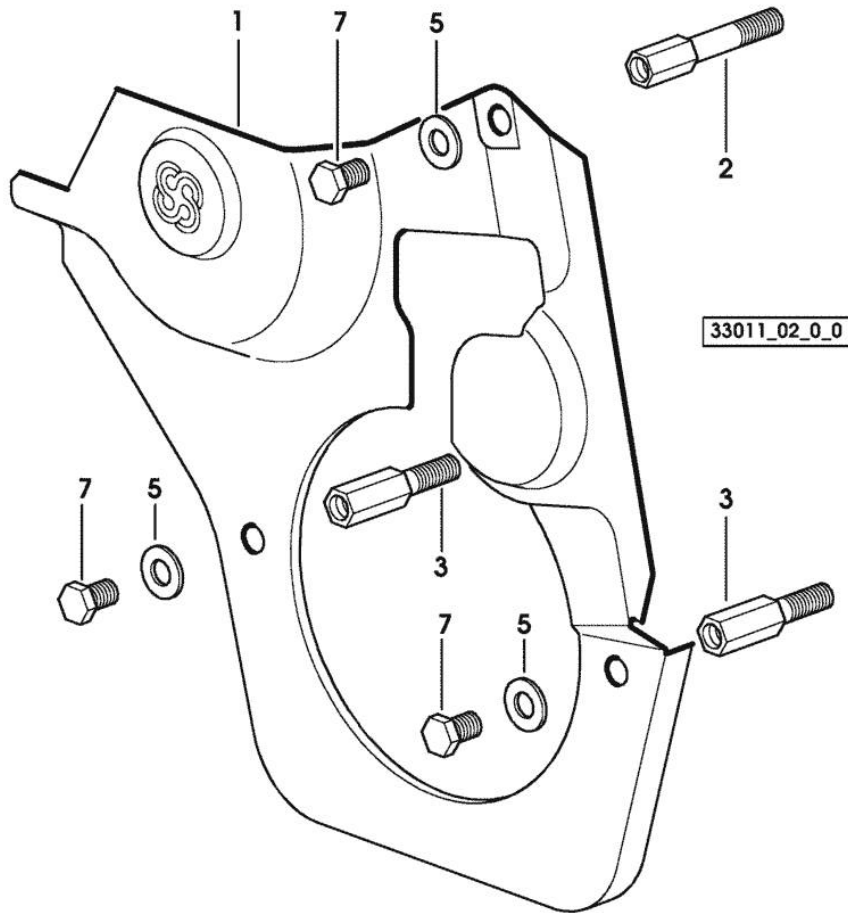
TIMING CASE

Fig.	P/n	QTY	Name
------	-----	-----	------

Notes:

[EXPLORER 70 C Ergomatic]

1	0.007.1262.3/50	1	guard
2	0.007.1271.0/10	1	small column m 8 p.1.25 / L = mm 60
3	0.007.1272.0/10	2	small column m 8 p.1.25 / L = mm 50
5	2.1310.004.2	3	flat washer 8.4x17
7	2.0112.205.2	3	screw m 8 p.1.25 x 16



<https://www.ebooklibonline.com>

Hello dear friend!

Thank you very much for reading.

Enter the link into your browser.

The full manual is available for immediate download.

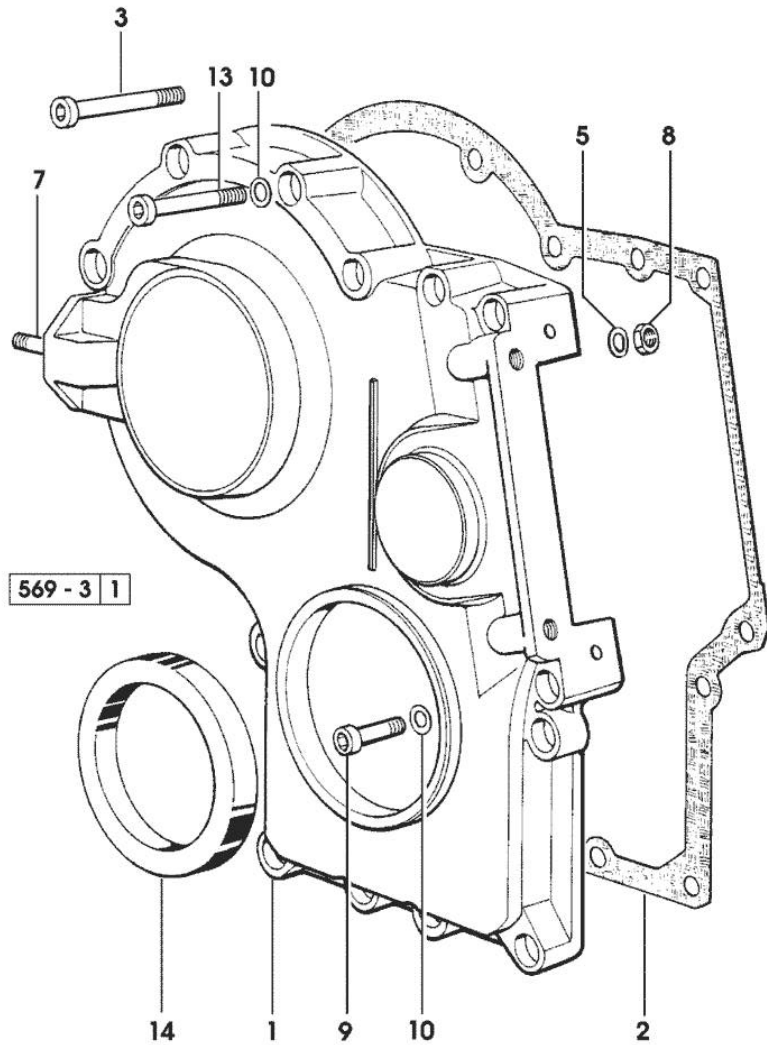
<https://www.ebooklibonline.com>

TIMING CASE

Fig.	P/n	QTY	Name
------	-----	-----	------

Notes:
[EXPLORER 70 C Ergomatic]

1	0.065.1132.0/60	1	guard
2	0.065.1150.0/30	1	gasket
3	2.0312.219.2	4	screw m 8 p.1.25x65
5	2.1470.004.2	4	lock washer 8
7	2.0432.003.7	2	stud bolt m 8 p.1.25 / p.1 x 20
8	2.1011.405.2	2	nut m 8 p.1
9	2.0312.208.2	8	screw m 8 p.1.25 x 25
10	2.1480.014.1	15	washer 8
13	2.0312.214.2	3	screw m 8 p.1.25 x 40
14	2.1529.141.0	1	special oil seal



CRANKSHAFT

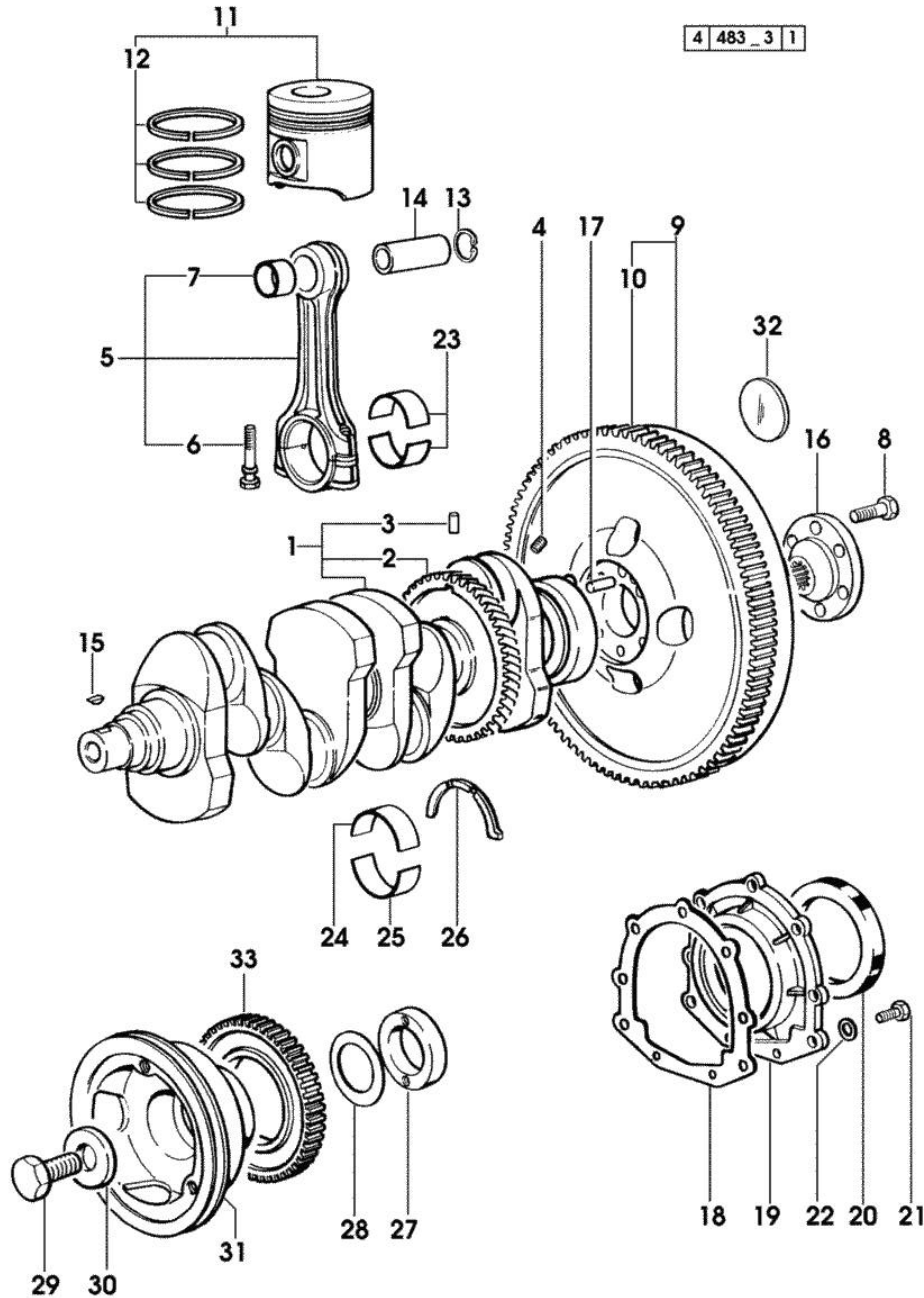


Fig.	P/n	QTY	Name
Notes: [EXPLORER 70 C Ergomatic]			
1	0.086.1210.3/30	1	crankshaft * (...) <- - N.1 - 007.1711.0/10
2	0.065.1211.0/10	1	crown wheel
3	2.1630.608.0	1	pin 6x16
4	2.3130.001.1	4	plug 1/8" gas
5	0.078.1220.3/30	4	engine connecting rod
6	2.0399.213.0	8	screw m 12 p.1.25x61.5
7	2.1559.114.0/10	4	special bushing
8	2.0139.022.2	6	screw m 12 p.1.25x55
9	0.066.1247.3/20	1	flywheel
10	0.065.1242.0	1	crown wheel Z = 123
11	0.086.0060.6/30	4	complete piston 71370 <= X 70C 71387 <= X 80C
11	0.338.0060.6/20	4	complete piston 20023 <= X 90C TURBO
11	0.379.0060.6	4	complete piston => 71371 - (...) <= X 70C => 71388 - (...) <= X 80C
11	0.379.0060.A	4	complete piston "A" => (...) X 70C - 80C
11	0.379.0060.B	4	complete piston "B" => (...) X 70C - 80C
11	0.381.0060.6	4	complete piston => 20024 - (...) <= X 90C TURBO
11	0.381.0060.A	4	complete piston "A" -> (...) X 90C TURBO
11	0.381.0060.B	4	complete piston "B" -> (...) X 90C TURBO
12	0.086.0052.6/10	4	piston ring set - X 70C - 80C
12	0.338.0052.6/10	4	piston ring set - X 90C TURBO
13	2.1411.014.1	8	circlip 35
14	0.078.1236.0	4	piston pin Ø 18 / Ø 35 / L = mm 86
15	2.1720.006.0	2	key 4x6.5
16	0.255.2525.0/10	1	flange
17	2.1652.915.0	1	cylindrical plug 12x35
18	0.065.1254.0/20	1	gasket
19	0.007.1711.0/10	1	cover

CRANKSHAFT

4 483_3 1

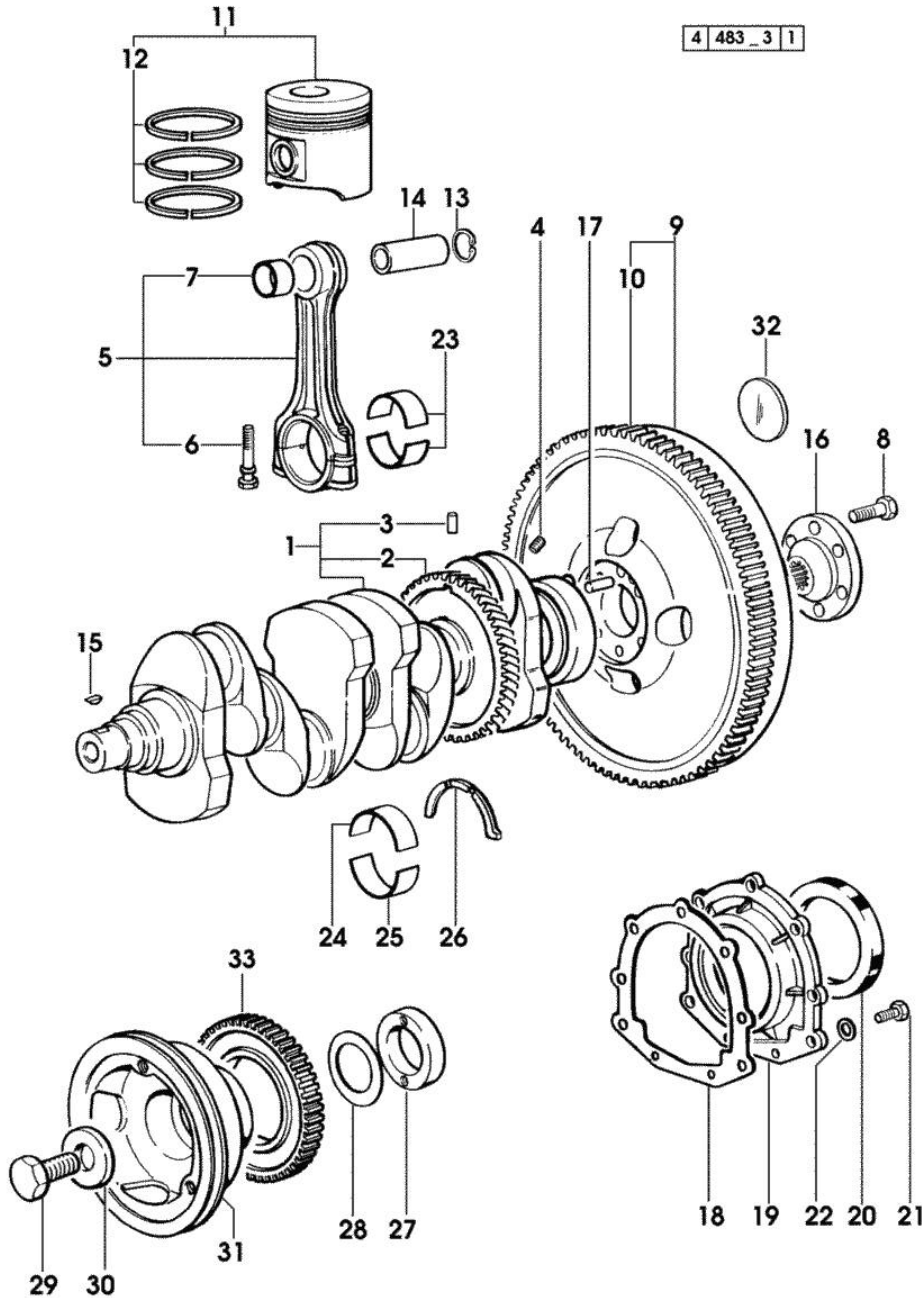


Fig.	P/n	QTY	Name
			-> (...)
19	0.065.1253.0/20	1	cover
			(...)<-
20	2.1529.073.0	1	special oil seal 110x130x13
21	2.0112.207.2	9	screw m 8 p 1.25 x 20
22	2.1475.002.2	9	conical washer 8
23	0.065.1225.0	8	con.rod half bushing STANDARD - A = 28.75 -> 29.00
23	0.065.1225.7		con.rod half bushing - mm 0.25
23	0.065.1225.8		con.rod half bushing - mm 0.50
24	0.065.1215.0	5	main half bushing STANDARD
24	0.065.1215.7		main half bushing - mm 0.25
24	0.065.1215.8		main half bushing - mm 0.50
25	0.065.1216.0	5	main half bushing
25	0.065.1216.7		main half bushing - mm 0.25
25	0.065.1216.8		main half bushing - mm 0.50
26	0.065.1218.0	4	shim STANDARD
26	0.065.1218.7		shim + mm 0.10
26	0.065.1218.8		shim + mm 0.15
27	0.085.1248.0/10	1	hub
28	2.1589.189.0	2	shoulder ring mm 1.00
29	2.0399.144.7/10	1	screw m 20 p.1.5x51
30	2.1599.524.7	1	washer 21x60x12
31	0.007.1330.0/30	1	pulley
32	2.3199.135.2	1	plug
33	0.011.3531.0	1	gear Z = 48

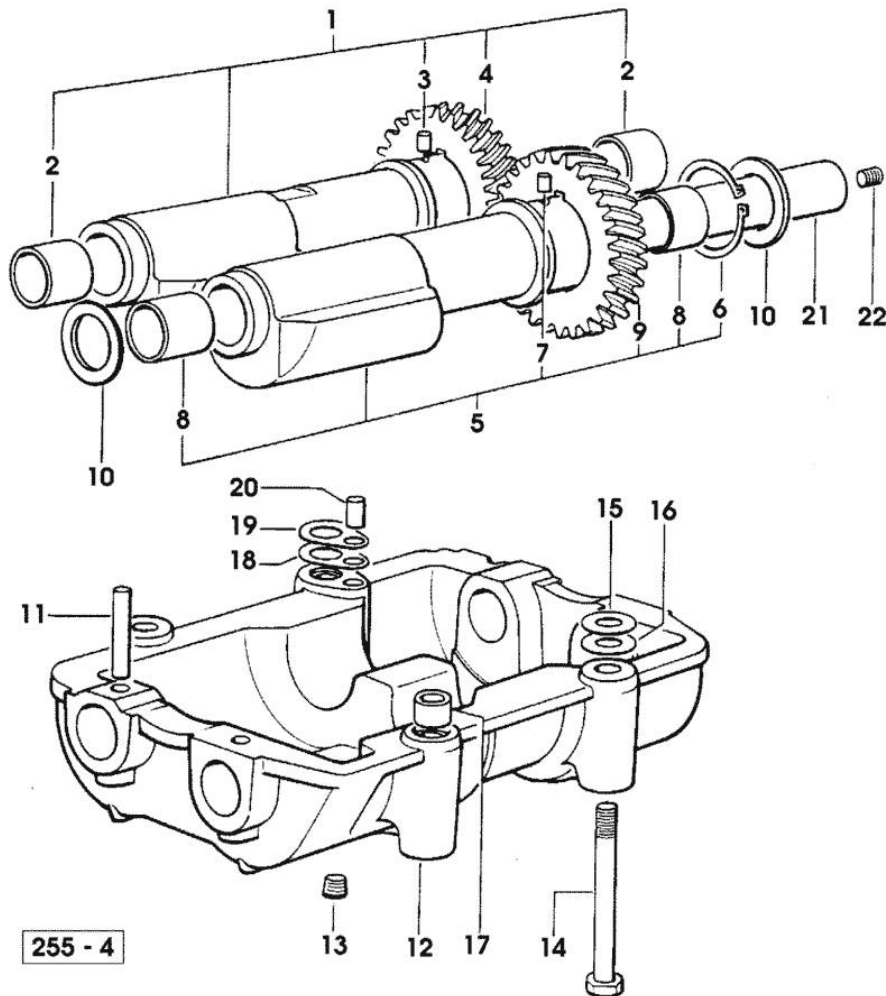
COUNTERWEIGHTS

Fig.	P/n	QTY	Name
------	-----	-----	------

Notes:

[EXPLORER 70 C Ergomatic]

1	0.086.1233.3/30	1	mass sx/lh/li
2	2.1559.115.0	2	special bushing 26x30x30
3	2.1652.302.0	1	roll pin 4x6
4	0.000.0000.1		cannot be supplied
5	0.065.1233.3/30	1	mass dx/rh/re
6	2.1410.018.7	1	circlip 45
7	2.1652.302.0	1	roll pin 4x6
8	2.1559.115.0	2	special bushing 26x30x30
9	0.000.0000.1		cannot be supplied
10	2.1589.185.0	4	shoulder ring 26.1x34x1
11	2.1631.717.0	2	roll pin 8 x 40
12	0.086.1231.0/10	1	box
13	2.3130.001.1	4	plug 1/8" gas
14	2.0139.028.2	4	screw m 12
15	2.1579.628.0	2	spacer 16.5x26x0.1
15	2.1589.048.0	2	shoulder ring 16.5x26x0.3
16	2.1579.629.0	2	spacer 12.5x26x0.1
16	2.1589.049.0	2	shoulder ring 12.5x26x0.3
17	2.1579.626.0	2	spacer 13.2x16x11
18	2.1589.139.0	2	shoulder ring mm 0.3
19	2.1589.140.0	2	shoulder ring mm 0.1
20	2.1699.191.0	1	bush 7x10x16
21	0.065.1234.0/10	2	shaft
22	2.3130.001.1	2	plug 1/8" gas



CAMSHAFT

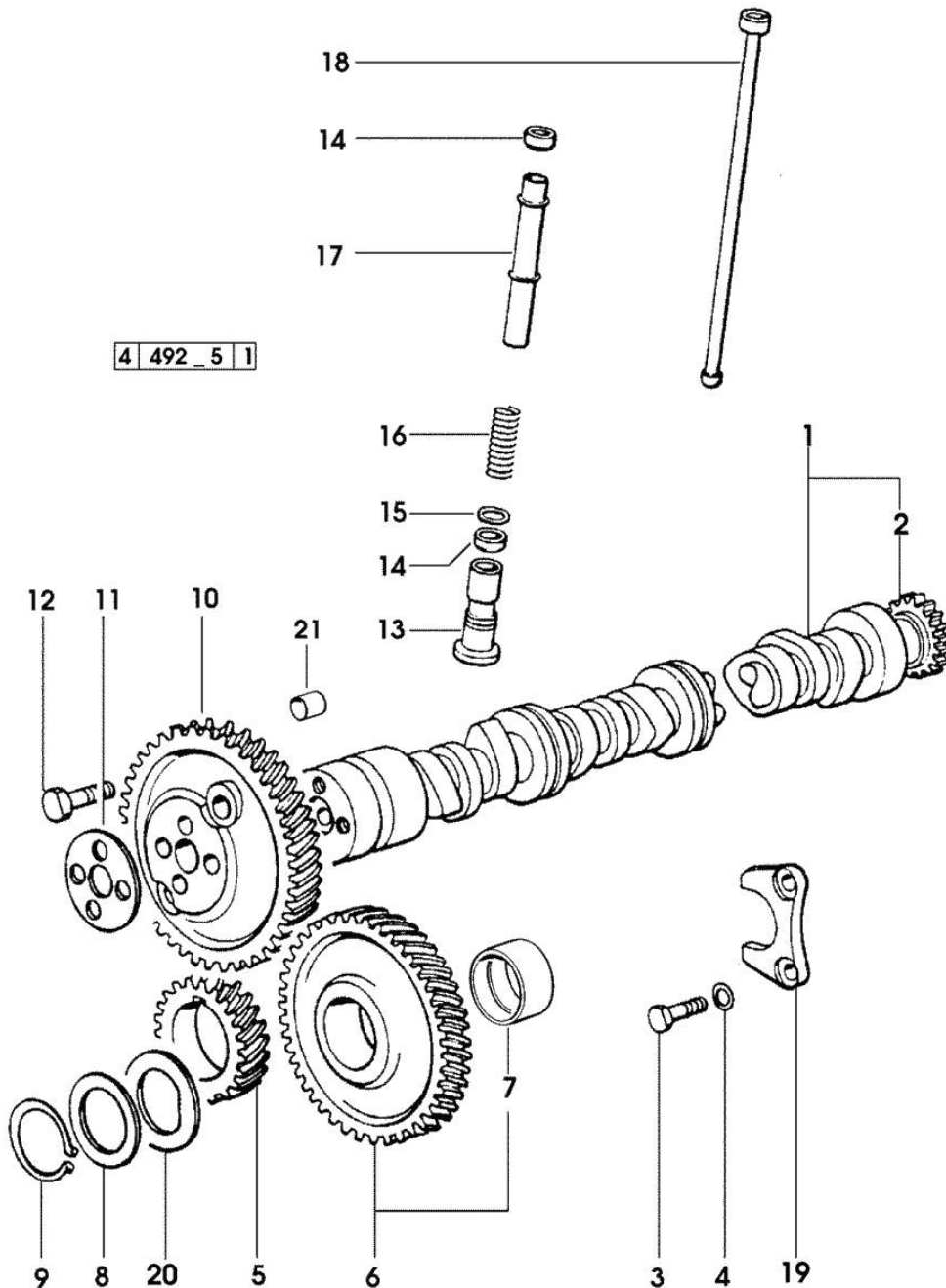


Fig.	P/n	QTY	Name
------	-----	-----	------

Notes:
[EXPLORER 70 C Ergomatic]

1	0.007.1712.3/10	1	camshaft - X 90C TURBO 12213 <- X 70C EXPORT U.S.A. 12268 <- X 80C EXPORT U.S.A. 2571 <- X 90C TURBO EXPORT U.S.A.
1	0.066.1310.3/40	1	camshaft - X 70C - 80C
2	0.065.1324.0/10	1	gear Z = 32
3	2.0312.206.2	2	screw m 8 p 1.25 x 20
4	2.1480.014.1	2	washer 8
5	0.065.1323.0/30	1	gear Z = 29
6	0.007.1177.3/10	1	gear z = 57 - WITH RED IDENTIFICATION STAMP
6	0.007.1178.3/10	1	gear z = 57 - WITH YELLOW IDENTIFICATION STAMP
6	0.007.1179.3/10	1	gear z = 57 - WITH GREEN IDENTIFICATION STAMP
7	2.1559.185.0/10	1	bushing
8	0.065.1352.0	1	shim
9	2.1410.016.1	1	circlip 40
10	0.065.1354.0/20	1	gear z=58
11	0.065.1350.0	1	small disc
12	2.0132.207.2	4	screw m 10 p.1 x 25
13	0.065.1330.0	8	tappets
14	2.1569.114.0/10	16	gasket 14x18.5x8
15	2.1599.437.0	8	shoulder ring
16	2.4019.300.1/10	8	spring 18.5x52x2
17	0.065.1332.0	8	sleeve
18	0.065.1331.2	8	rod
19	0.065.1353.0	1	small plate
20	0.065.1351.0	2	shoulder ring
21	2.1559.398.0	1	bushing 10.5x13x12

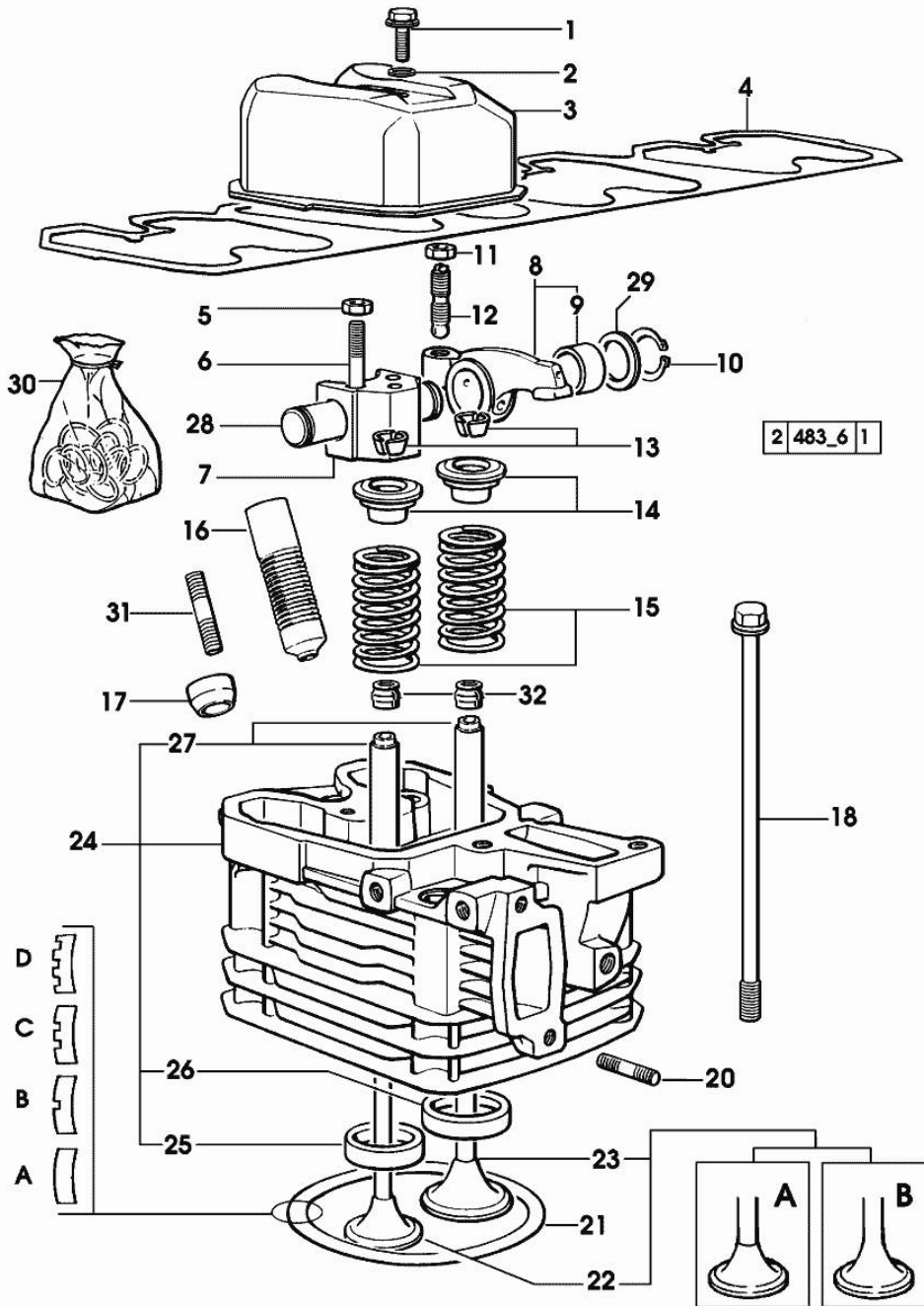
CYLINDER HEAD

Fig.	P/n	QTY	Name
------	-----	-----	------

Notes:

[EXPLORER 70 C Ergomatic]

1	2.0112.211.2	4	screw m 8 p.1.25 x 30 (...) <-
1	2.0399.130.2/10	4	screw m 8x36x44 -> (...)
2	2.1569.170.0/10	4	gasket 8.2 x 14
3	0.007.1139.0/10	4	small cap * (...) <- - N.1 - 2.0399.130.2/10
4	0.065.1450.0/30	1	tappet gasket
5	2.1011.421.2	8	nut m 10 p.1.25
6	2.0432.163.7	8	stud bolt m 10 p.1.5 / p.1.25 x 45
7	0.066.1430.0/10	8	support
8	0.066.1432.3	8	rocker arm
9	2.1559.021.0/40	8	bushing 15x19x22
10	2.1410.055.1	8	circlip 19
11	2.1011.405.2	8	nut m 8 p.1
12	0.021.1434.0	8	screw
13	0.074.1423.0	16	conical valve cotter
14	0.066.1425.0	8	cup
15	2.4019.287.0	8	spring
16	0.065.1413.0/10	4	bush L = mm 97.1 (...) <-
17	0.007.1122.0/10	4	bush L = mm 6.4 -> (...)
18	0.065.1443.0/20	16	screw
20	2.0432.007.2	8	stud bolt m 8 p.1.25 / p.1 x 30
21	0.085.1450.0	3	head gasket mm 0.5 -A-
21	0.085.1451.0	4	head gasket mm 0.7 -B-
21	0.085.1452.0	4	head gasket mm 1.0 -C-
21	0.085.1453.0	4	head gasket mm 0.8 -D-
22	0.010.6022.0	4	exhaust valve mm 39.1 / Ø mm 9 - X 90C TURBO -> (...) = B
22	0.066.1421.0	4	exhaust valve - X 70C - 80C - X 90C TURBO (...) <- = A
23	0.010.6016.0	4	inlet valve mm 43.63 / Ø mm 9 - X 70C - 80C
23	0.010.6017.0	4	inlet valve mm 43.63 / Ø mm 9 - X 90C TURBO -> (...) = B
23	0.081.1420.0	4	inlet valve Ø mm 9 - X 90C TURBO (...) <- = A





Suggest:

For more complete manuals. Please go to the home page.

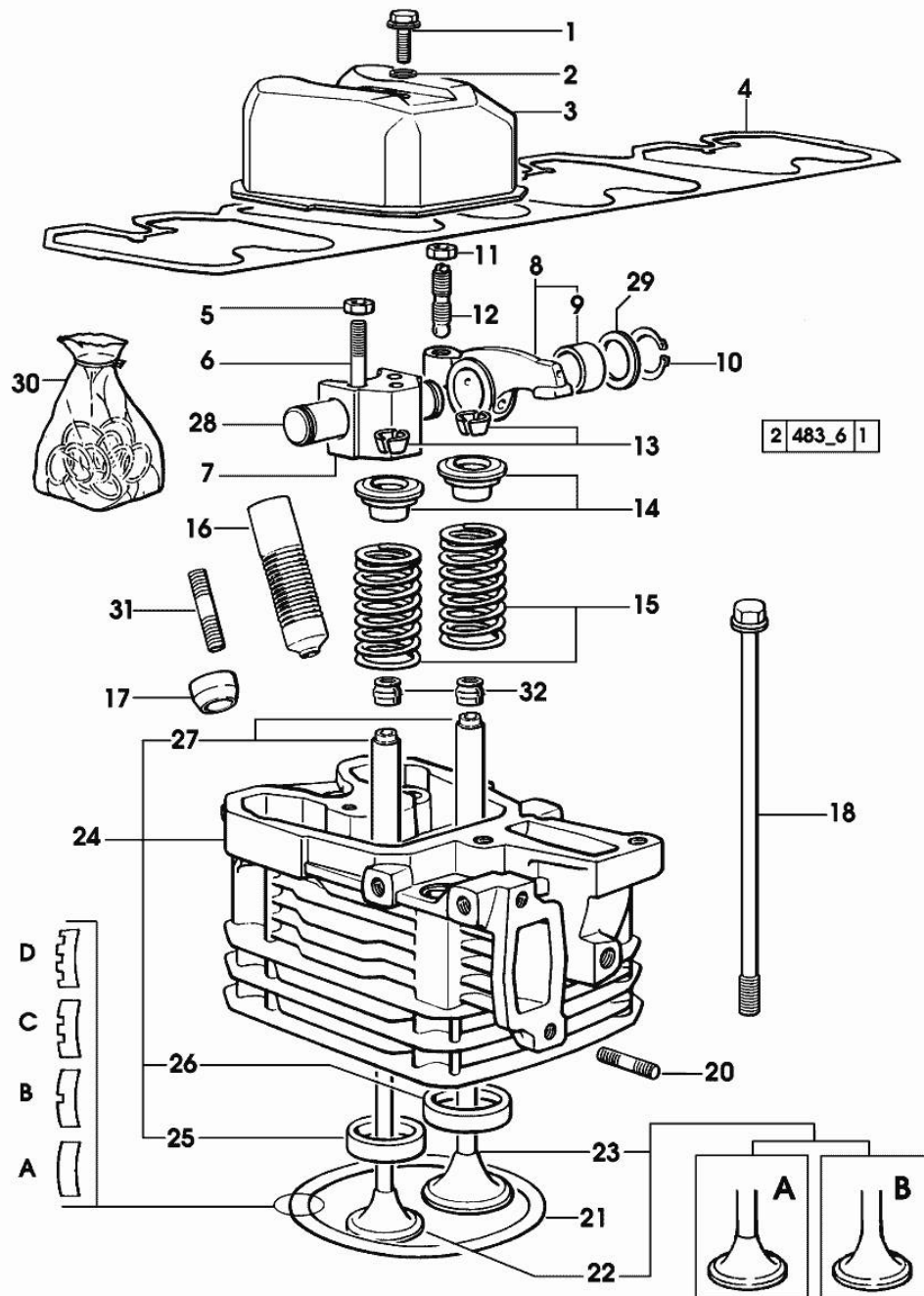
<https://www.ebooklibonline.com>

If the above button click is invalid. Please download this document first, and then click the above link to download the complete manual.

Thank you so much for reading

CYLINDER HEAD

Fig.	P/n	QTY	Name
24	0.007.1110.3/50	4	engine head * (...) <- - N.4 - 007.1122.0/10 - X 90C TURBO (...) <- = A
24	0.007.1359.3/50	4	engine head - X 90C TURBO -> (...) = B
25	0.066.1427.0	4	valve seat
26	0.078.1426.0	4	valve seat
27	0.007.1779.0/10	8	valve guide
28	0.066.1431.0	4	pin
29	2.1599.432.0	8	shoulder ring
30	0.085.0057.6/10	4	gasket set - FOR 1 CYLINDER VALVE GRINDING AND PISTON RINGS REPLACEMENT
31	2.0432.161.7	4	stud bolt m 10 p.1.5 / p.1.25 x 40
32	2.1519.117.0	8	special oil seal



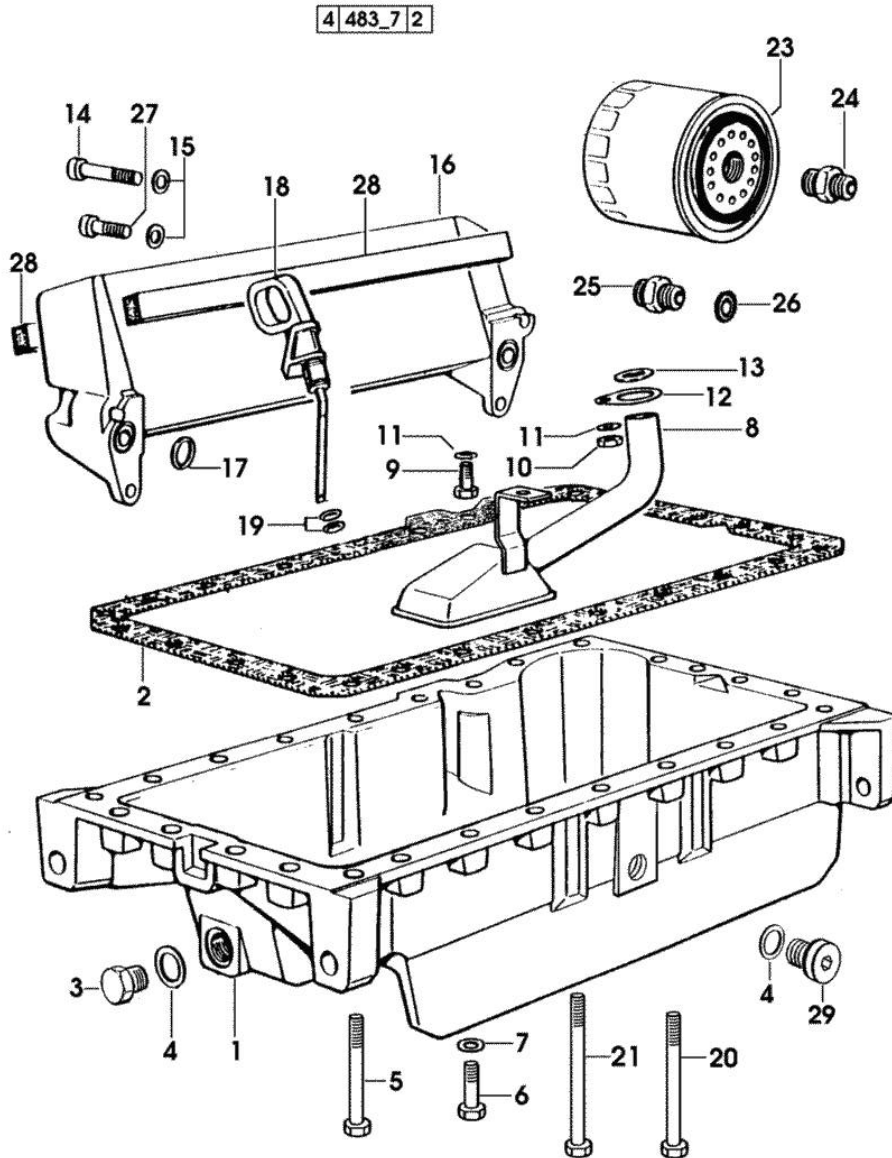
LUBRICATION

Fig.	P/n	QTY	Name
------	-----	-----	------

Notes:

[EXPLORER 70 C Ergomatic]

1	0.007.1298.0	1	oil sump
2	0.065.1550.0/10	1	gasket
3	2.3110.513.2	1	plug 1/2 gas
4	2.1560.054.0	2	gasket 21 x 26
5	2.0112.226.2	4	screw m 8 p.1.25 x 85
6	2.0112.215.2	17	screw m 8 p.1.25 x 40
7	2.1470.004.2	26	lock washer 8
8	0.065.1531.3/20	1	tube
9	2.0112.205.2	1	screw m 8 p.1.25 x 16
9	2.0112.209.2	1	screw m 8 p 1.25 x 25 (...) <- >- (...)
10	2.1011.105.2	1	nut m 8 p.1.25
11	2.1470.004.2	1	lock washer 8
12	0.065.1538.0	1	flange
13	2.1539.040.0	1	special oil seal 21.82 x 3.53
14	2.0312.216.2	2	screw m 8 p.1.25x50
15	2.1310.004.2	2	flat washer 8.4x17
16	0.007.7320.3	1	oil cooler
16	0.065.1540.3/20	1	oil cooler
			- X 80C - 90C TURBO
			- X 70C
17	2.1539.048.0	2	special oil seal 20.35x1.78
18	0.086.1513.2/30	1	dipstick
19	2.1539.065.0	2	special oil seal 8.73 x 1.78
20	2.0112.235.2	3	screw m 8 p.1.25 x 130
21	2.0112.239.2	2	screw m 8 p.1.25 x 150
23	0.044.1567.0	1	oil filter element
			- X 70C - 80C
23	2.4419.340.0	1	oil filter element
			- X 90C TURBO
24	2.3339.307.0	1	pipe fitting m 22 p.1.5-3/4"
25	2.3339.353.2/20	1	pipe fitting 12 p.1.5-18 p.1.5
			- X 70C - 80C
26	2.1560.014.0	1	washer 18.2 x 24
			- X 70C - 80C
27	2.0399.113.2/10	2	screw
			- X 70C
27	2.0399.125.2/10	2	screw m 8 x 55
			- X 80C - 90C TURBO
28	0.052.1856.0	2	gasket



<https://www.ebooklibonline.com>

Hello dear friend!

Thank you very much for reading.

Enter the link into your browser.

The full manual is available for immediate download.

<https://www.ebooklibonline.com>