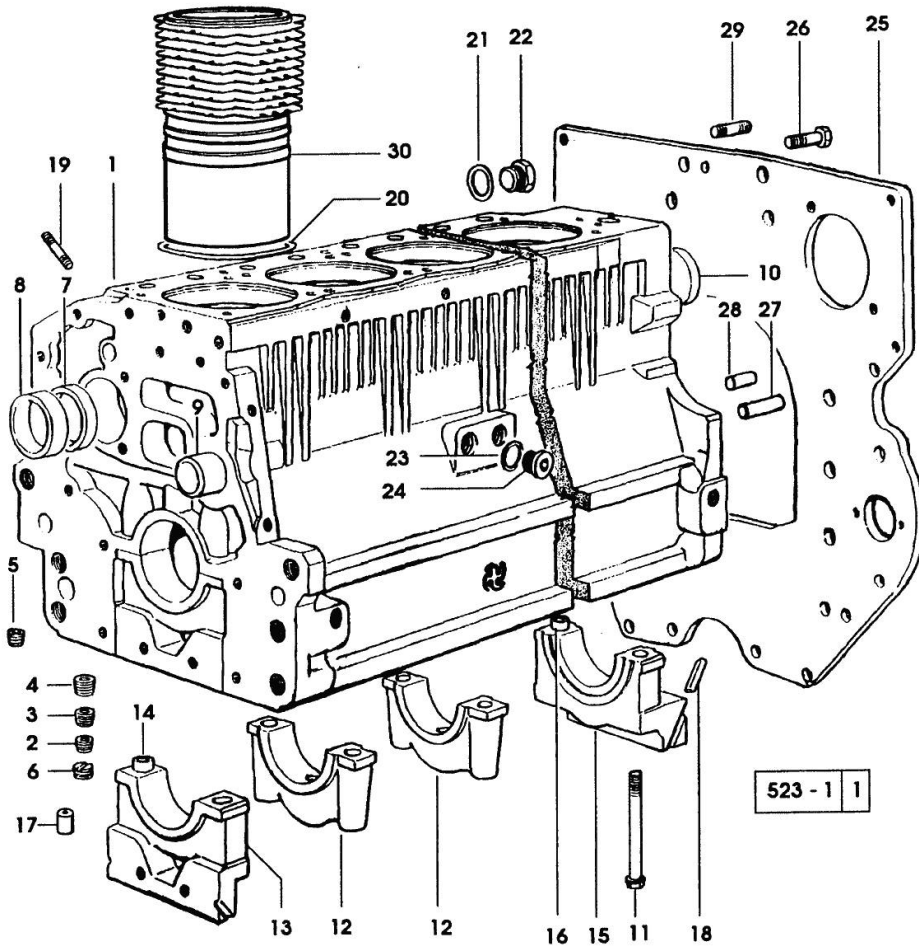


Section: ENGINE
CRANKCASE

Fig.	P/n	QTY	Name
------	-----	-----	------

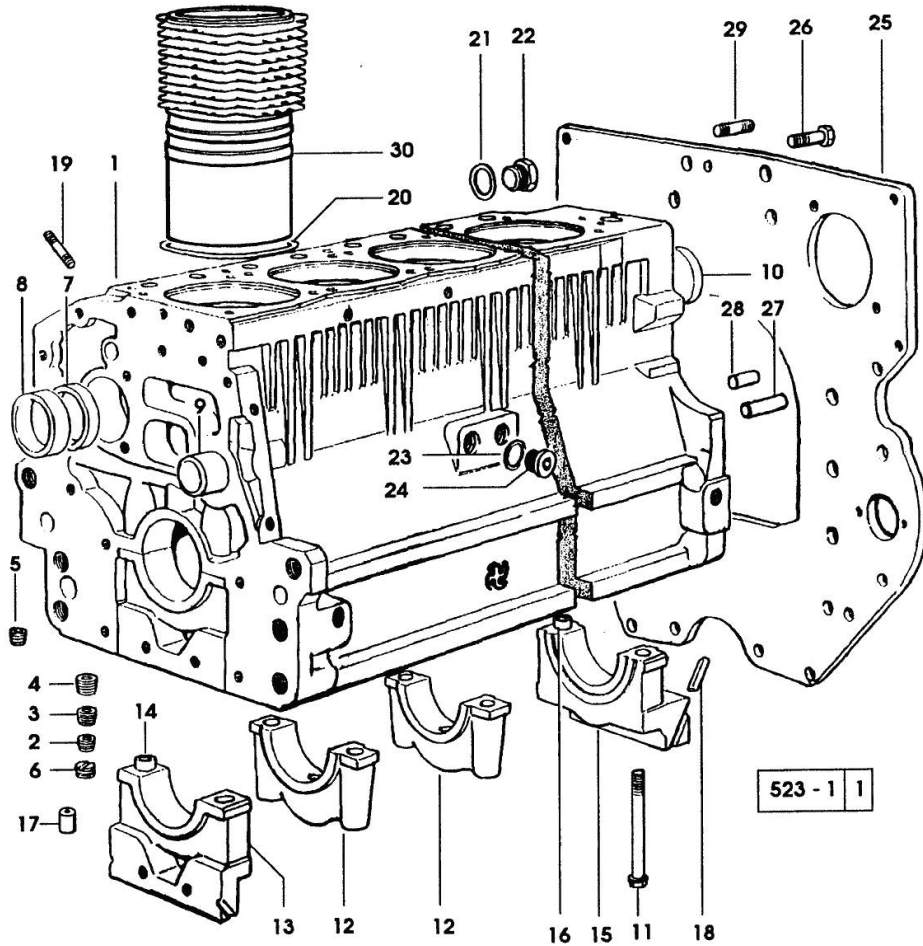
Notes:
[ANTARES 110]

0	0.336.0050.6/10	1	gasket set
1	0.007.0779.6	1	crankcase 1216 <- PER ANTARES 110 - 1147 <- PER ANTARES 130
1	0.007.0779.6/10	1	crankcase -> 1217 X ANTARES 110 -> 1148 X ANTARES 130
2	2.3130.001.1	1	plug 1/8" gas
3	2.3130.002.1	2	plug 1/4" gas
4	2.3130.003.1	7	plug 3/8" gas
5	2.3131.006.0	1	plug m 22 x 1.5
6	2.1324.011.0	1	plug
7	0.065.1140.0	6	special bushing 59X55X20
8	0.065.1141.0	1	special bushing 59X55X30
9	0.066.1151.0	1	pin
10	2.3179.012.0	1	plug 60
11	0.065.1117.0	14	screw m 12 x 100
12	0.065.1114.0/10	5	support
13	0.065.1112.7/10	1	support
14	2.1699.165.0	1	bush 12.3x15x16
15	0.007.0848.3/20	1	support -> 1217 X ANTARES 110 -> 1148 X ANTARES 130
15	0.065.1116.3/10	1	- 1216 <- X ANTARES 110 - 1147 <- X ANTARES 130
16	2.1699.165.0	1	bush 12.3x15x16
17	2.3199.092.0	1	plug 8 x 12
18	0.066.1152.0/10	4	gasket
19	2.0432.003.7	18	stud bolt m 8 p.1.25 / p.1 x 20
20	2.1539.064.0	6	special oil seal 120.33x2.62 1521 <- X ANTARES 110 - 1520 <- X ANTARES 130
20	2.1539.130.0/10	6	special oil seal 117.07x3.53 -> 1522 X ANTARES 110-> 1521 X ANTARES 130
21	2.1532.072.0	1	oil seal 26.70x1.78
22	2.3199.405.2	1	plug m 28 p.1.5
23	2.1560.017.0	1	gasket 22.2 x 27
24	2.3120.002.4	1	plug m 22 x 1.5
25	0.007.0805.0/40	1	flange -> 1463 X ANTARES 110 -> 1440 X ANTARES 130
25	0.007.1655.0	1	flange 1462 <- X ANTARES 110 - 1439 <- X ANTARES 130
26	2.0112.511.2	8	screw m 14 p.2 x 30
27	2.1651.912.0	2	cylindrical plug 12x28



Section: ENGINE
CRANKCASE

Fig.	P/n	QTY	Name
28	2.1651.917.0	1	cylindrical plug 12x40
29	2.0432.255.7	2	stud bolt m 12 p.1.75-1.25x25
30	0.B13.0355.0	6	engine cylinder "B"

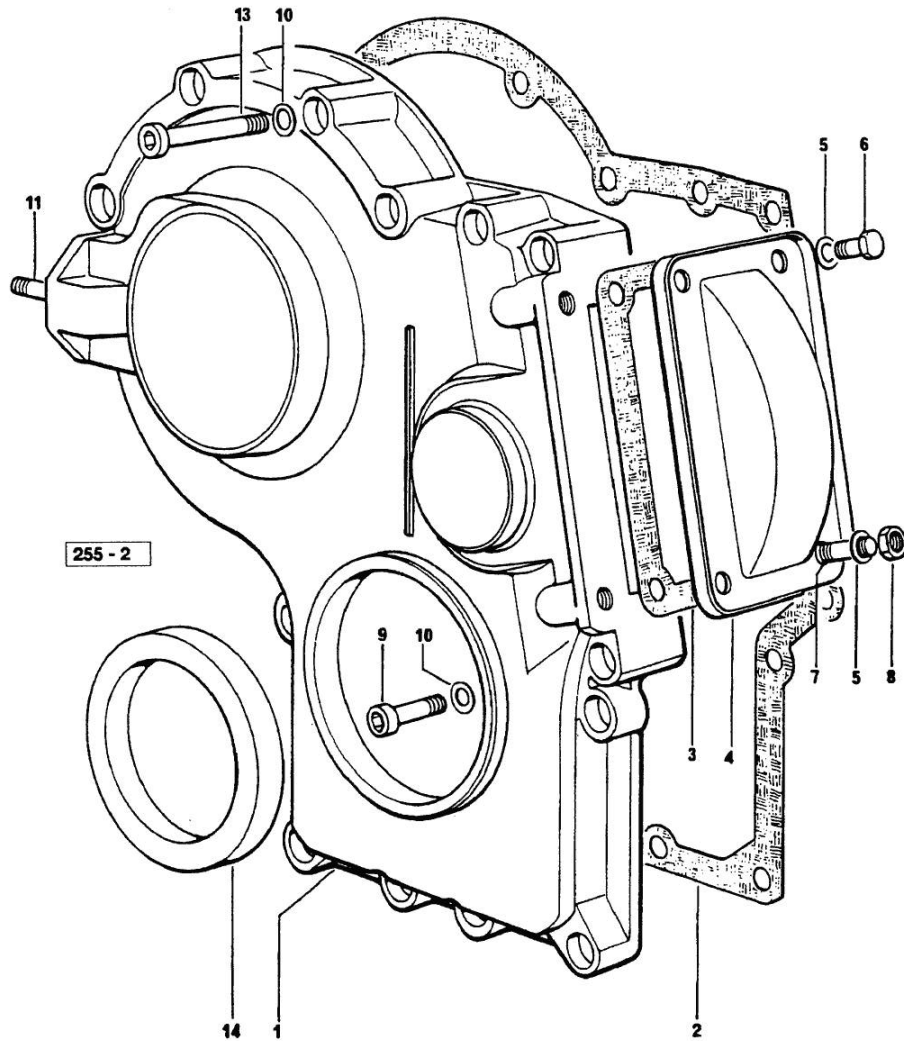


Section: ENGINE
TIMING CASE

Fig.	P/n	QTY	Name
------	-----	-----	------

Notes:
[ANTARES 110]

1	0.065.1132.0/20	1	guard
2	0.065.1150.0/30	1	gasket
3	0.065.1152.0	1	gasket
4	0.065.1151.0	1	cover
5	2.1470.004.2	4	lock washer 8
6	2.0112.205.2	2	screw m 8 p.1.25 x 16
7	2.0432.003.7	2	stud bolt m 8 p.1.25 / p.1 x 20
8	2.1011.405.2	2	nut m 8 p.1
9	2.0312.214.2	3	screw m 8 p.1.25 x 40
10	2.1480.014.1	15	washer 8
11	2.0432.003.7	2	stud bolt m 8 p.1.25 / p.1 x 20
13	2.0312.208.2	8	screw m 8 p.1.25 x 25
13	2.0312.219.2	4	screw m 8 p.1.25x65
14	2.1529.167.0	1	oil seal



<https://www.ebooklibonline.com>

Hello dear friend!

Thank you very much for reading.

Enter the link into your browser.

The full manual is available for immediate download.

<https://www.ebooklibonline.com>

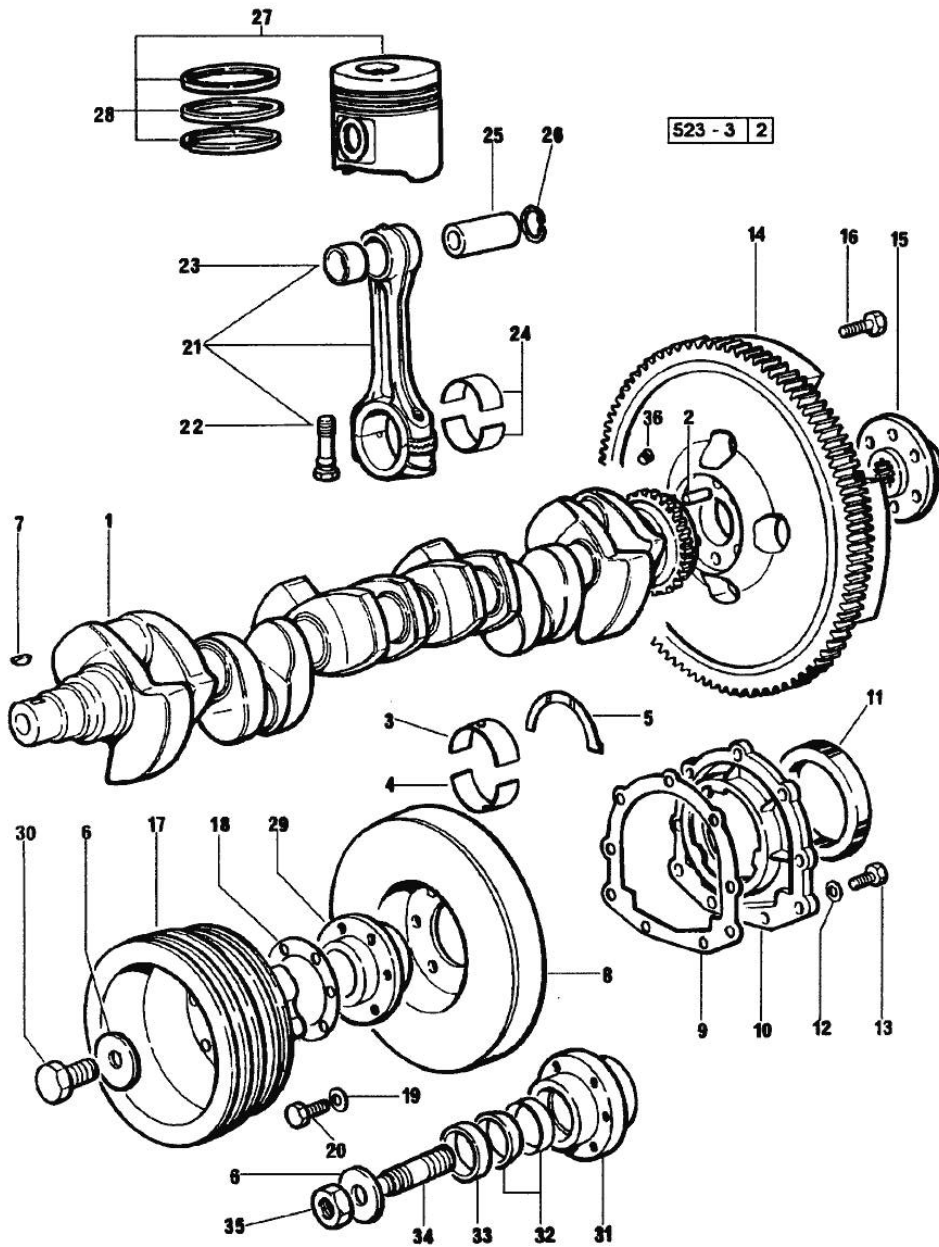
Section: ENGINE

CRANKSHAFT

Fig.	P/n	QTY	Name
------	-----	-----	------

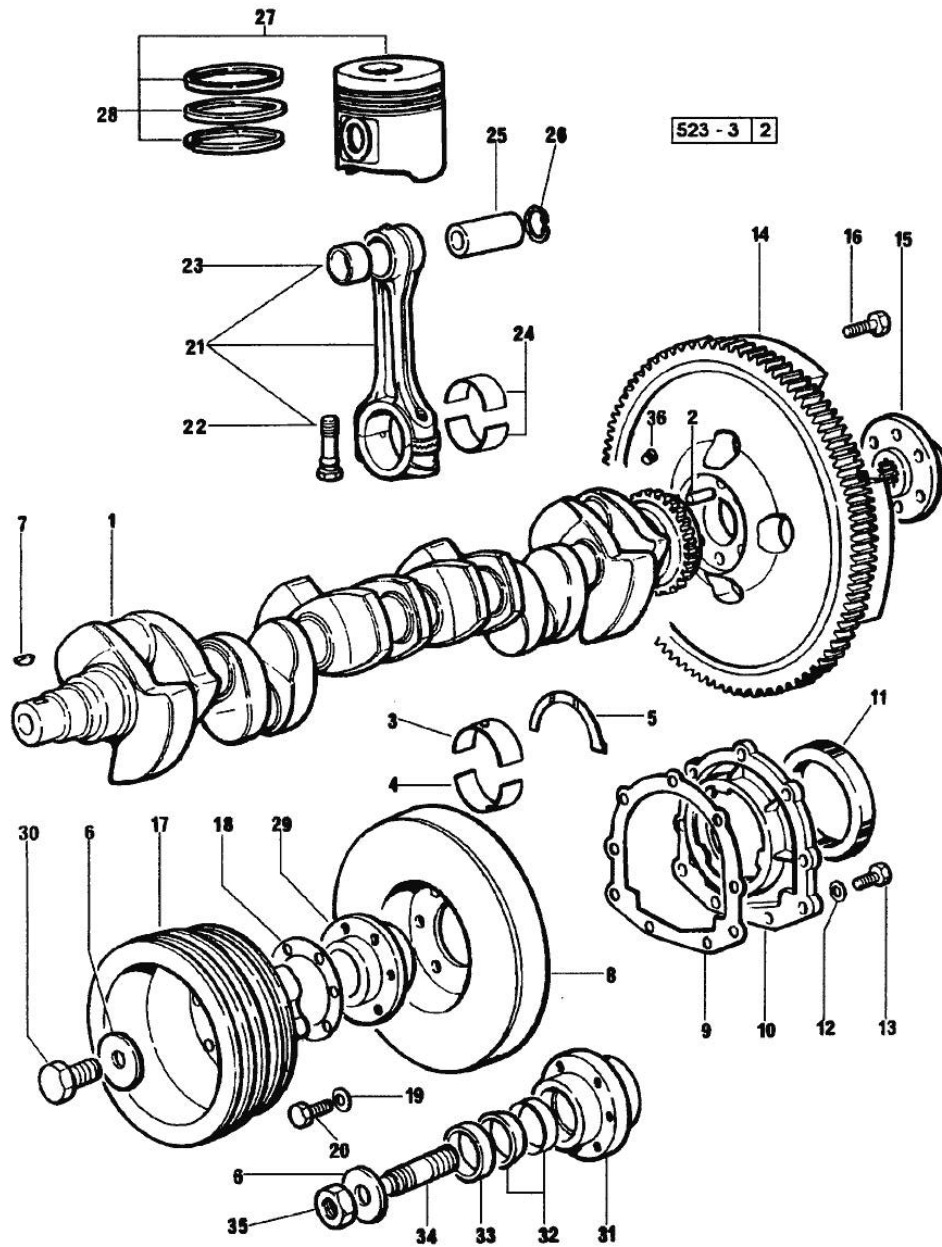
Notes:
[ANTARES 110]

1	0.006.5605.3	1	crankshaft 1216 <-
1	0.006.5605.3/30	1	crankshaft -> 1217
1	0.007.0855.0/10	1	gear -> 1217
2	2.1651.915.0	1	pin 12x35
3	0.065.1215.0/10	7	main half bushing STANDARD
3	0.065.1215.7	7	main half bushing - mm 0.25
3	0.065.1215.8	7	main half bushing - mm 0.50
4	0.065.1216.0/10	7	main half bushing STANDARD
4	0.065.1216.7	7	main half bushing - mm 0.25
4	0.065.1216.8	7	main half bushing - mm 0.50
5	0.065.1218.0	4	shim STANDARD
5	0.065.1218.7	4	shim + mm 0.10
5	0.065.1218.8	4	shim + mm 0.15
6	2.1599.524.7	1	washer 21x60x12
7	2.1720.006.0	1	key 4x6.5
8	0.009.3704.3	1	antivibration pulley
9	0.065.1254.0/20	1	gasket
10	0.007.0851.0/10	1	cover -> 1217
10	0.065.1253.0/20	1	cover 1216 <-
11	2.1529.073.0	1	special oil seal 110x130x13
12	2.1474.009.2	9	spring washer 8
13	2.0112.207.2	9	screw m 8 p 1.25 x 20
14	0.008.4049.3	1	flywheel mm 373
14	0.065.1242.0	1	crown wheel Z = 123
15	0.288.3625.0	1	flange
16	2.0139.023.2	6	screw
17	0.008.2212.0/60	1	pulley
18	2.1589.136.0	2	shoulder ring 71x110x0.5
18	2.1589.137.0	2	shoulder ring 71x110x1
19	2.1470.006.2	6	lock washer 10
20	2.0112.322.2	6	screw m 10 p.1.5x65
21	0.078.1220.3/30	6	engine connecting rod
22	2.0399.213.0	2	screw m 12 p.1.25x61.5
23	2.1559.114.0/10	1	special bushing
24	0.065.1225.0	12	con.rod half bushing STANDARD - A = 28.75 -> 29.00
24	0.065.1225.7	12	con.rod half bushing - mm 0.25



CRANKSHAFT

Fig.	P/n	QTY	Name
25	0.078.1236.0	6	piston pin Ø 18 / Ø 35 / L = mm 86
26	2.1411.014.1	12	circlip 35
27	0.086.0060.A	6	complete piston "A"
28	0.086.0052.6/10	6	piston ring set
29	0.007.0896.0/20	1	hub 1216 <-
29	0.007.1187.0	1	hub -> 1217
30	2.0399.144.7/10	1	screw m 20 p.1.5x51
31	0.011.2141.0/10	1	hub -> 1217 FOR FRONT PTO
31	0.011.3510.0/10	1	hub 1216 <- FOR FRONT PTO
32	0.035.1263.0	2	ring -> 1217
32	0.065.1256.0	2	ring 45x52 1216 <-
33	2.1579.865.0	1	spacer 45.2x51.8x10 1216 <-
33	2.1579.949.0	1	ring 50.2x56.8x8 -> 1217
34	2.0439.195.7	1	stud bolt m 20 p.1.5x80
35	2.1019.094.7	1	nut m 20 p.1.5
36	2.3130.001.1	6	plug 1/8" gas



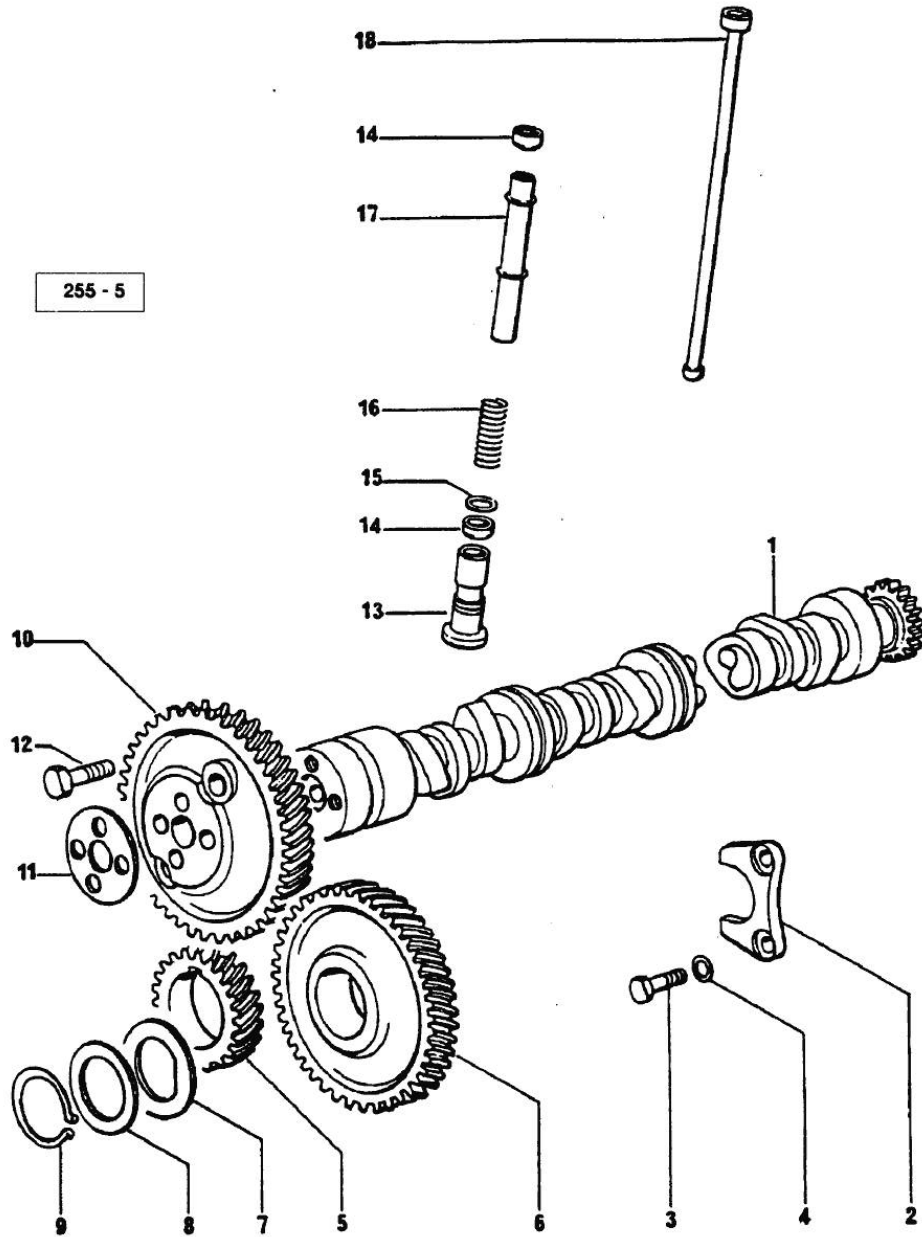
Section: ENGINE

CAMSHAFT

Fig.	P/n	QTY	Name
------	-----	-----	------

Notes:
[ANTARES 110]

1	0.065.1324.0/10	1	gear Z = 32
1	0.075.1310.3/30	1	camshaft
2	0.065.1353.0	1	small plate
3	2.0312.206.2	2	screw m 8 p 1.25 x 20
4	2.1480.014.1	2	washer 8
5	0.007.1188.0/30	1	gear Z = 29
			-> 1217 X ANTARES 110 - -> 1148 X ANTARES 130
5	0.065.1323.0/30	1	gear Z = 29
			1216 <- X ANTARES 110 - 1147 <- X ANTARES 130
6	0.007.1177.3/20	1	gear z = 57
7	0.065.1351.0	2	shoulder ring
8	0.065.1352.0	1	shim
9	2.1410.016.1	1	circlip 40
10	0.013.5017.0	1	gear z=58
11	0.065.1350.0	1	small disc
12	2.0132.207.2	4	screw m 10 p.1 x 25
13	0.065.1330.0	12	tappets
14	2.1569.114.0/10	24	gasket 14x18.5x8
15	2.1599.437.0	12	shoulder ring
16	2.4019.300.1/10	12	spring 18.5x52x2
17	0.065.1332.0	12	sleeve
18	0.065.1331.2	12	rod



Section: ENGINE
CYLINDER HEAD

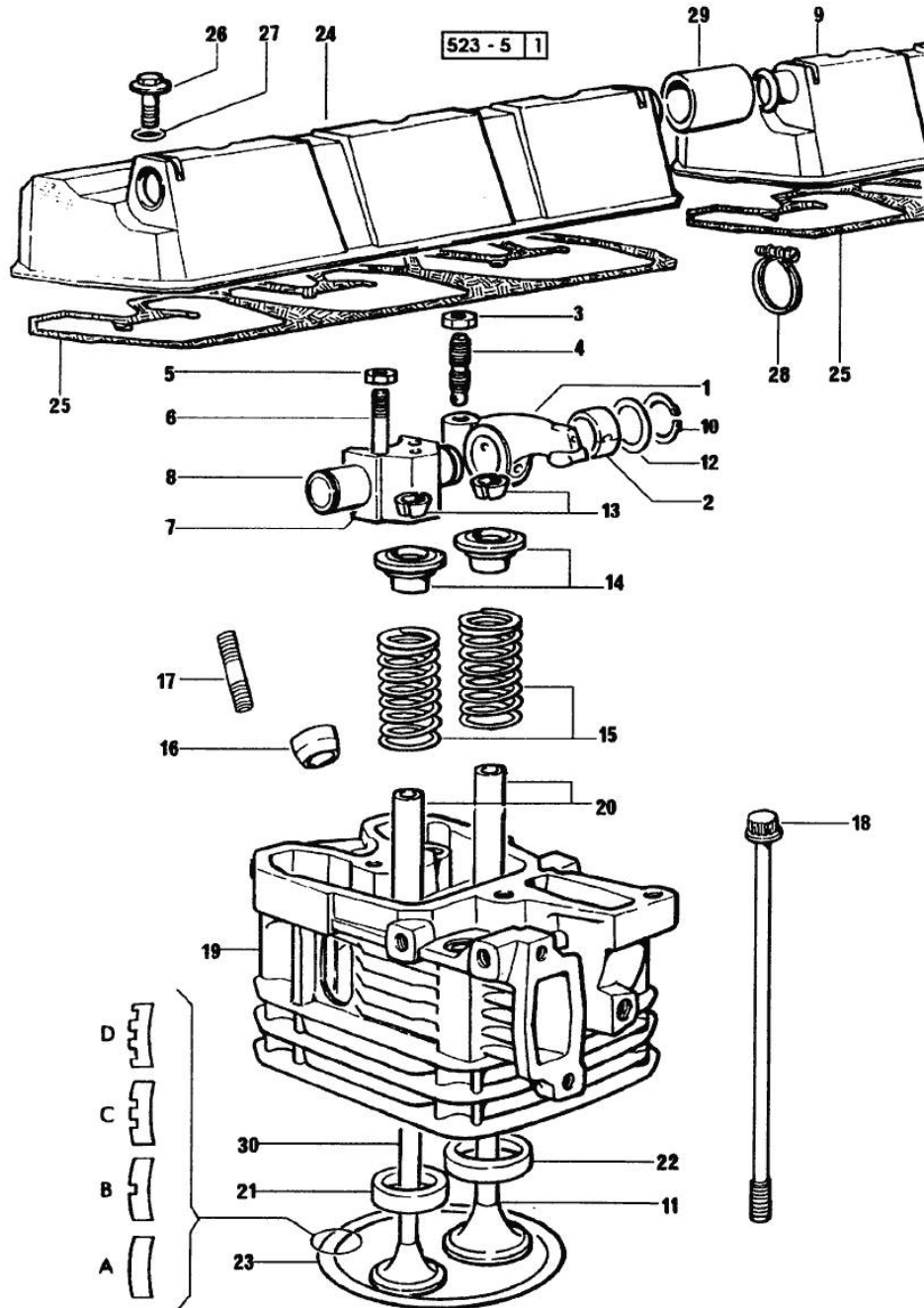


Fig.	P/n	QTY	Name
------	-----	-----	------

Notes:
[ANTARES 110]

0	0.336.0057.6	1	gasket set
1	0.066.1432.3	12	rocker arm
2	2.1559.021.0/40	12	bushing 15x19x22
3	2.1011.405.2	12	nut m 8 p.1
4	0.021.1434.0	12	screw
5	2.1011.421.2	12	nut m 10 p.1.25
6	2.0432.163.7	12	stud bolt m 10 p.1.5 / p.1.25 x 45
7	0.066.1430.0/10	6	support
8	0.066.1431.0	6	pin
9	0.078.1450.3	1	cover
10	2.1410.055.7	12	circlip 19
11	0.010.6016.0	6	inlet valve mm 43.63 / Ø mm 9
12	2.1599.432.0	12	shoulder ring
13	0.074.1423.0	12	conical valve cotter
14	0.066.1425.0	12	cup
15	2.4019.287.0	12	spring
16	0.007.1122.0/10	6	bush L = mm 6.4 (...) <-
16	0.065.1413.0/10	6	bush L = mm 97.1 (...) <-
17	2.0432.161.7	6	stud bolt m 10 p.1.5 / p.1.25 x 40
18	0.065.1443.0/20	24	screw
19	0.007.1110.3/60	6	engine head
20	0.007.1779.0/20	12	valve guide
21	0.066.1427.0	6	valve seat
22	0.078.1426.0	6	valve seat
23	0.085.1450.0/10	6	head gasket mm 0.50
23	0.085.1451.0/10	6	head gasket mm 0.7
23	0.085.1452.0/10	6	head gasket mm 1.0
23	0.085.1453.0/10	6	head gasket mm 0.8
24	0.078.1440.3	1	cover
24	2.3171.008.4	1	plug 20
25	0.009.3877.0/10	2	tappet gasket
26	2.0399.130.2	6	screw m 8 x 30
27	2.1532.035.0	6	oil seal 14x1.78
28	2.6859.091.0	2	clamp
29	0.075.1452.0/10	1	sleeve
30	0.066.1421.0	6	exhaust valve

Section: ENGINE
LUBRICATION 1216 <=>

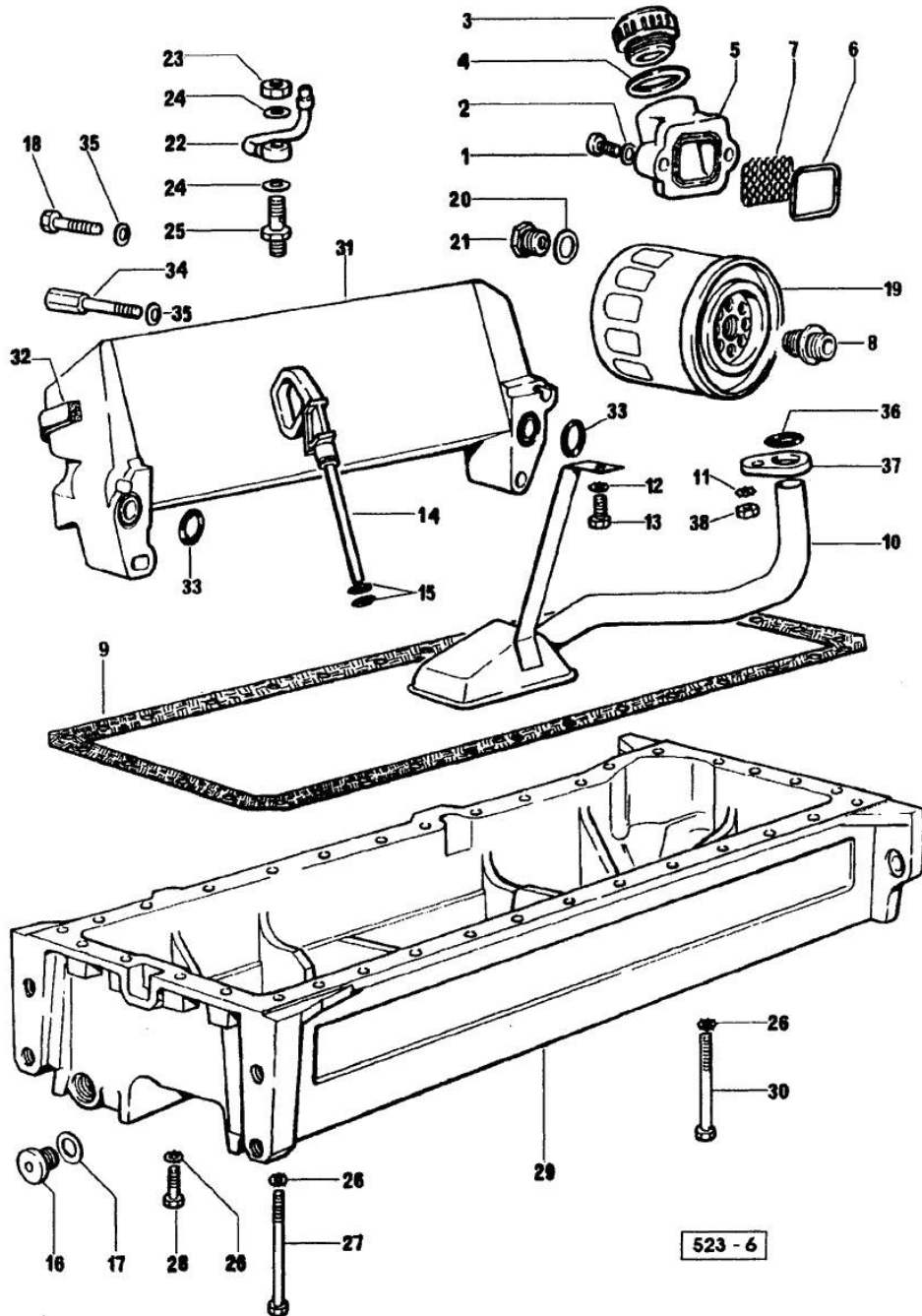


Fig.	P/n	QTY	Name
------	-----	-----	------

Notes:
 [ANTARES 110]

1	2.0312.206.2	2	screw m 8 p 1.25 x 20
2	2.1480.014.1	2	washer 8
3	0.041.1135.4	1	plug 1" gas
4	2.1569.072.0	1	gasket 32 x 39.5 x 2
5	0.065.1565.0/10	1	pipe union
6	2.1539.042.0	1	special oil seal 47.35x1.78
7	0.065.1567.0/10	1	filter
8	2.3339.307.0	2	pipe fitting m 22 p.1.5-3/4"
9	0.075.1512.0	1	gasket
10	0.007.0880.3	1	tube
11	2.1470.004.2	1	lock washer 8
12	2.1470.004.2	1	lock washer 8
13	2.0112.205.2	1	screw m 8 p.1.25 x 16
14	0.080.1513.2/10	1	dipstick
15	2.1539.065.0	2	special oil seal 8.73 x 1.78
16	2.3199.001.2	1	plug 1/2" gas
17	2.1560.054.0	1	gasket 21 x 26
18	2.0112.211.2	2	screw m 8 p.1.25 x 30
19	0.044.1567.0	2	oil filter element
20	2.1560.014.0	1	washer 18.2 x 24
21	2.3339.353.2/20	1	pipe fitting 12 p.1.5-18 p.1.5
22	0.086.1550.2	6	sprayer nozzle
23	2.1099.108.2	6	special nut m 10 p.1
24	2.1560.006.0	12	gasket 10.2 x 16
25	0.065.1160.3/20	6	valve
26	2.1470.004.2	34	lock washer 8
27	2.0112.237.2	2	screw m 8 p.1.25x140
28	2.0112.215.2	25	screw m 8 p.1.25 x 40
29	0.007.0991.0	1	oil sump
30	2.0112.229.2	3	screw m 8 p.1.25 x 100
30	2.0112.235.2	3	screw m 8 p.1.25 x 130
30	2.0112.241.2	1	screw m 8 p.1.25 x 160
31	0.007.0775.3	1	radiator
32	0.007.0878.0	2	gasket
33	2.1539.048.0	2	special oil seal 20.35x1.78
34	2.1539.153.2	2	-
35	2.1480.014.1	4	washer 8
36	2.1539.040.0	1	special oil seal 21.82 x 3.53
37	0.065.1538.0	1	flange
38	2.1011.105.2	1	nut m 8 p.1.25

523 - 6



Suggest:

For more complete manuals. Please go to the home page.

<https://www.ebooklibonline.com>

If the above button click is invalid. Please download this document first, and then click the above link to download the complete manual.

Thank you so much for reading

Section: ENGINE
LUBRICATION => 1217

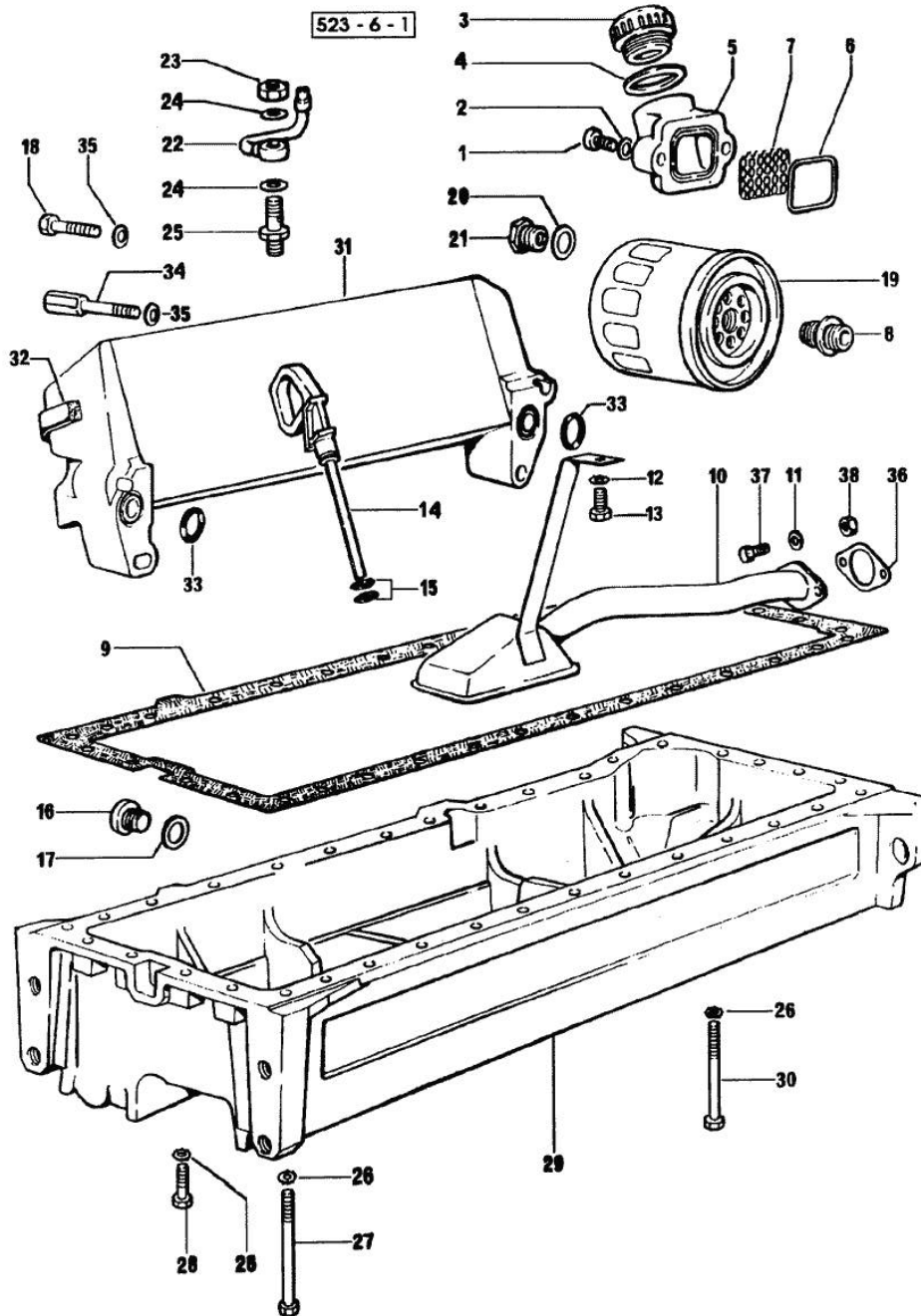


Fig.	P/n	QTY	Name
------	-----	-----	------

Notes:
 [ANTARES 110]

1	2.0312.206.2	2	screw m 8 p 1.25 x 20
2	2.1480.014.1	2	washer 8
3	0.041.1135.4	1	plug 1" gas
4	2.1569.072.0	1	gasket 32 x 39.5 x 2
5	0.065.1565.0/10	1	pipe union
6	2.1539.042.0	1	special oil seal 47.35x1.78
7	0.065.1567.0/10	1	filter
8	2.3339.307.0	2	pipe fitting m 22 p.1.5-3/4"
9	0.007.0849.0/10	1	gasket
10	0.007.1312.3	1	tube
11	2.1470.004.2	1	lock washer 8
12	2.1470.004.2	1	lock washer 8
13	2.0112.205.2	1	screw m 8 p.1.25 x 16
14	0.080.1513.2/10	1	dipstick
15	2.1539.065.0	2	special oil seal 8.73 x 1.78
16	2.3199.001.2	1	plug 1/2" gas
17	2.1560.054.0	1	gasket 21 x 26
18	2.0112.221.2	2	screw m 8 p.1.25 x 60
19	0.044.1567.0	2	oil filter element
20	2.1560.014.0	1	washer 18.2 x 24
21	2.3339.353.2/20	1	pipe fitting 12 p.1.5-18 p.1.5
22	0.086.1550.2	6	sprayer nozzle
23	2.1099.108.2	6	special nut m 10 p.1
24	2.1560.006.0	12	gasket 10.2 x 16
25	0.065.1160.3/20	6	valve
26	2.1470.004.2	34	lock washer 8
27	2.0112.237.2	2	screw m 8 p.1.25x140
27	2.0112.241.0	2	-
28	2.0112.215.2	25	screw m 8 p.1.25 x 40
29	0.007.0991.0	1	oil sump
29	0.007.1311.0/10	1	oil sump 1462 <- -> 1463
30	2.0112.229.2	3	screw m 8 p.1.25 x 100
30	2.0112.235.2	2	screw m 8 p.1.25 x 130
30	2.0112.241.2	2	screw m 8 p.1.25 x 160
31	0.007.0775.3	1	radiator
32	0.007.0878.0	2	gasket
33	2.1539.048.0	2	special oil seal 20.35x1.78
34	2.0399.153.2	2	screw m 8 p.1.25
35	2.1480.014.1	4	washer 8

Section: ENGINE
LUBRICATION => 1217

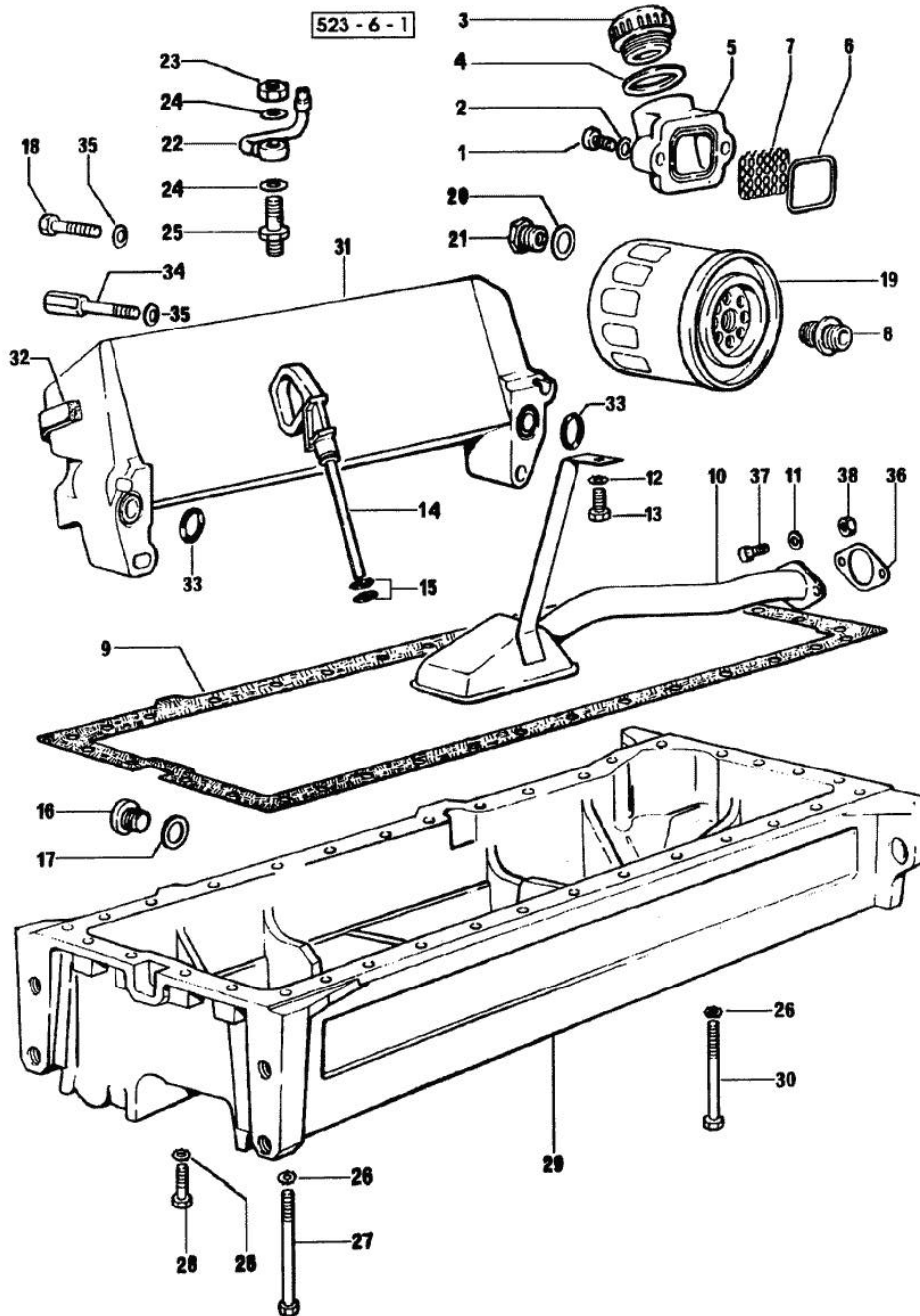


Fig.	P/n	QTY	Name
36	0.007.0997.0	1	gasket
37	2.0112.207.2	2	screw m 8 p 1.25 x 20
38	2.1011.105.2	1	nut m 8 p.1.25

<https://www.ebooklibonline.com>

Hello dear friend!

Thank you very much for reading.

Enter the link into your browser.

The full manual is available for immediate download.

<https://www.ebooklibonline.com>