

**Swivel Hitch for
1350, 1360
and 1460
Mower-Conditioners**
(From Serial No. 340001)

**John Deere Arc-lès-Gray
OMCC39477 Issue A4**

European Edition
Printed in Germany
ANGLAIS

General Information

TO THE CUSTOMER

This supplement covers the operating and service information on the swivel hitch for 1350, 1360 and 1460 mower-conditioners from serial number 340001.

For all other information on the mower-conditioner (except swivel hitch from above serial number shown) please refer to the basic Operator's Manual.

Contents

	Page
Identification View	00-1
Attaching and Detaching	
Attaching to the tractor	05-1
Adjusting telescoping hook-up	05-2
Connecting telescoping hook-up	05-3
Securing jackstand	05-3
Detaching swivel hitch	05-4
Securing jackstand	05-4
Detaching from the tractor	05-4
Transporting the Mower-Conditioner	
Operating rope control positioner	10-1
Operating hydraulic tongue cylinder	10-2
Securing the jackstand	10-2
Transporting	10-3
Operating the Swivel Hitch	15-1
Lubrication and Maintenance	
Intermediate shaft yoke	20-2
Swivel hitch gear cases	20-2
Draining and refilling	20-3
Gear case intermediate bearing	20-3
Index	

All information, illustrations and specifications in this manual are based on the latest information available at the time of publication. The right is reserved to make changes at any time without notice.

OMCC39477 A4-19-06AUG03

COPYRIGHT© 1994
DEERE & COMPANY
European Office Mannheim
All rights reserved
A John Deere ILLUSTRATION™ Manual

<https://www.ebooklibonline.com>

Hello dear friend!

Thank you very much for reading.

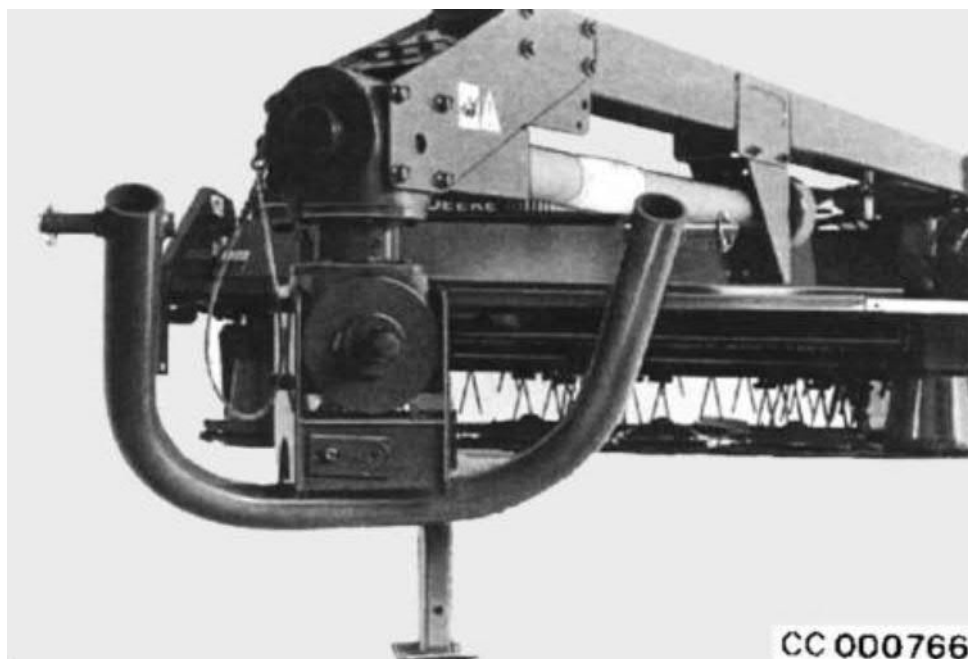
Enter the link into your browser.

The full manual is available for immediate download.

<https://www.ebooklibonline.com>

Contents

Identification View



Swivel hitch

CC000766 -JUN-09APR03

CC,SWIVEL001290-19-11JAN94



Suggest:

For more complete manuals. Please go to the home page.

<https://www.ebooklibonline.com>

If the above button click is invalid. Please download this document first, and then click the above link to download the complete manual.

Thank you so much for reading

Attaching and Detaching

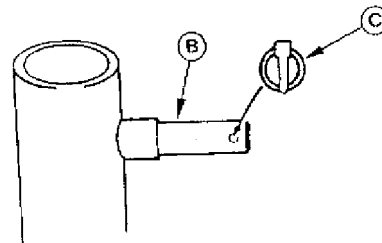
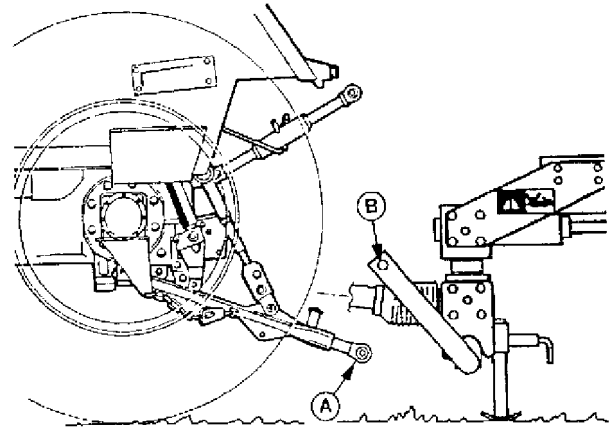
ATTACHING TO THE TRACTOR (SWIVEL HITCH ONLY)

Mower-conditioner equipped with swivel hitch can be attached to any tractor with a three-point hitch conforming to category II, III or III N. See your John Deere dealer to adapt the features of your tractor to those offered by the swivel hitch.

⚠ CAUTION: Before working or transporting the mower-conditioner, always lock draft links using stabilizer chains, turnbuckles or sway blocks.

When using a category II, III or III N three-point hitch, connect the two draft links (A) to lower hitch pins (B) and secure by means of quick lock pins (C).

Raise the draft links (A) until the tongue is parallel to the ground.



CC000767

CC.SWIVEL001291-19-11JAN94

CC000767 -UN-09APR03

<https://www.ebooklibonline.com>

Hello dear friend!

Thank you very much for reading.

Enter the link into your browser.

The full manual is available for immediate download.

<https://www.ebooklibonline.com>