

Grouper

John Deere Arc-lès-Gray
OMCC35557 Issue B2

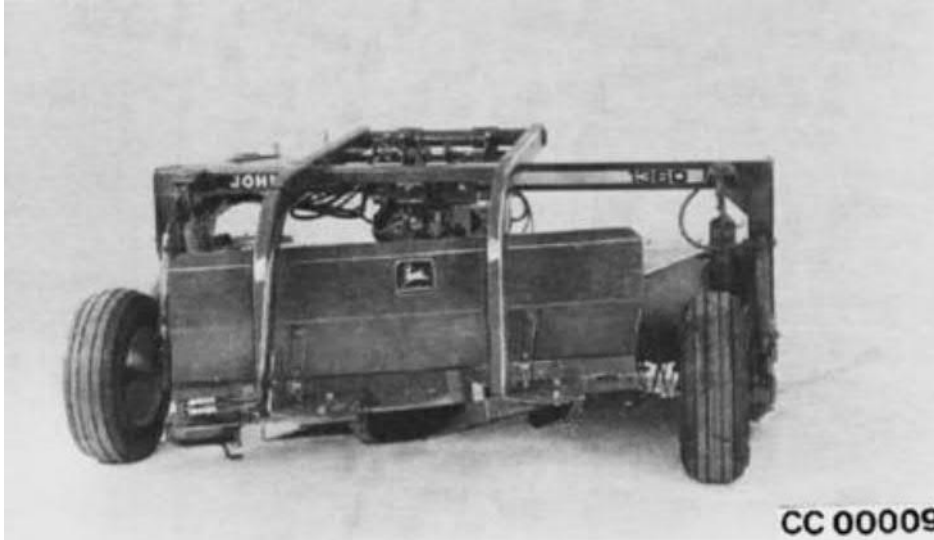
Printed in Germany
ANGLAIS

General Information

TO THE CUSTOMER

When operating the grouper, always use the basic Operator's Manual from 1350, 1360, 1460 mower-conditioner.

This supplementary Operator's Manual for the grouper contains all deviations not included in the basic Operator's Manual.



Grouper on 1360 mower-conditioner

CC 00009

CC000009 -UN-09APR03

Contents

	Page
Operating	05-1
Lubrication and Maintenance	10-1
Troubleshooting	15-1
Service	20-1
Storage	25-1
Specifications	30-1
Index	

All information, illustrations and specifications in this manual are based on the latest information available at the time of publication. The right is reserved to make changes at any time without notice.

OMCC35557 B2-19-07AUG03

COPYRIGHT© 1991
DEERE & COMPANY
European Office Mannheim
All rights reserved
A John Deere ILLUSTRATION™ Manual

<https://www.ebooklibonline.com>

Hello dear friend!

Thank you very much for reading.

Enter the link into your browser.

The full manual is available for immediate download.

<https://www.ebooklibonline.com>

Contents



Suggest:

For more complete manuals. Please go to the home page.

<https://www.ebooklibonline.com>

If the above button click is invalid. Please download this document first, and then click the above link to download the complete manual.

Thank you so much for reading

Operating

HOW THE GROUPER WORKS

The grouper is composed of one self-contained hydraulic circuit driven by a belt which commands an hydraulic motor and canvas to shift the windrow towards the left-hand side of the mower-conditioner.

Canvas speed can be adjusted to meet the field conditions.

Two grouper lift options are available:

Hydraulic lift option: Requires two selective control levers.

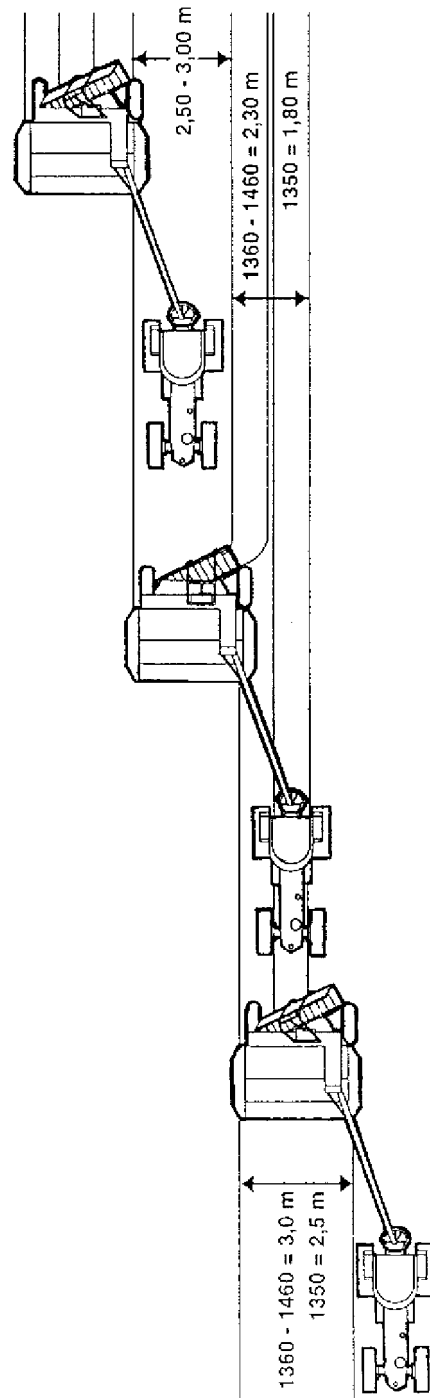
Electro-hydraulic lift option: Requires only one selective control lever.

- When lifting the grouper, the canvas motor is automatically by-passed and then disengaged.
- When lowering the grouper, the canvas motor will be automatically re-engaged.

To double the windrows, use the grouper alternately engaged and disengaged during clockwise travel around the field.

For example: Grouper up during first pass, down during second one, then up for the third pass, etc.

IMPORTANT: To obtain the best performance from the grouper, it is strongly recommended to set the impeller of 1350, 1360 mower-conditioner at the highest speed (870 rpm).



CC0000 10

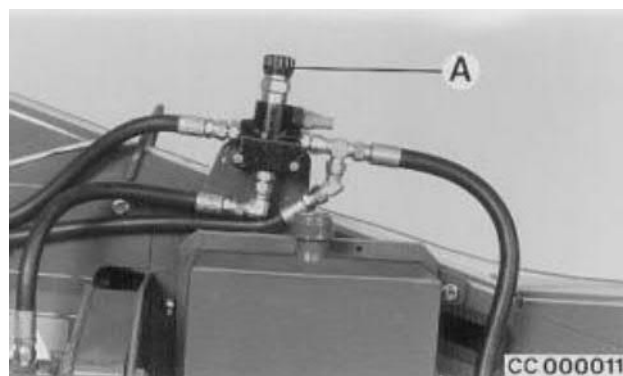
CC.GROUP 000167-19-09MAR92

ADJUSTING CANVAS SPEED

Depending on working speed, windrow width and crop conditions, canvas speed can be adjusted by using graduated control knob (A).

Canvas speed can be reduced by approximately 30 %.

NOTE: Choose the highest canvas speed under normal conditions.



CC, GROUP 000168-19-09MAR92

-JUN-10FEB95
CC000011

RAISING OR LOWERING GROUPEUR (EQUIPPED WITH ELECTRO-HYDRAULIC LIFT OPTION)

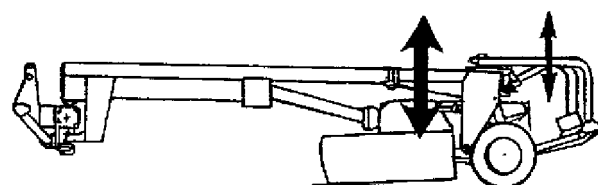
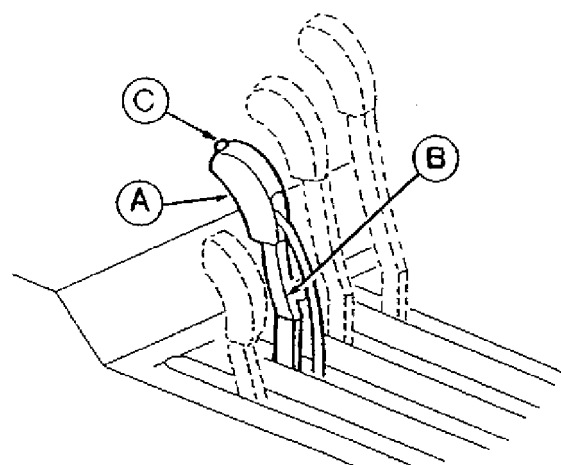
Refer to Operator's Manual for the mower-conditioner to attach hydraulic platform lift hose to tractor hydraulic system.

For greater convenience, install electrical control handle (A) on selective control lever (B) which controls the lifting of the mower-conditioner.

Press button (C) to raise the grouper while using selective control lever (B).

Press button (C) to lower the grouper while using selective control lever (B).

NOTE: If necessary, platform can be raised or lowered while keeping the grouper in up or down position. To do so, do not press button (C) while raising or lowering platform. Nevertheless, the selective control lever (B) should be actuated to raise or lower the grouper.



CC000012

- A—Electrical control handle
- B—Selective control lever
- C—Button

-JUN-09APR03
CC000012

CC, GROUP 000169-19-09MAR92

<https://www.ebooklibonline.com>

Hello dear friend!

Thank you very much for reading.

Enter the link into your browser.

The full manual is available for immediate download.

<https://www.ebooklibonline.com>