

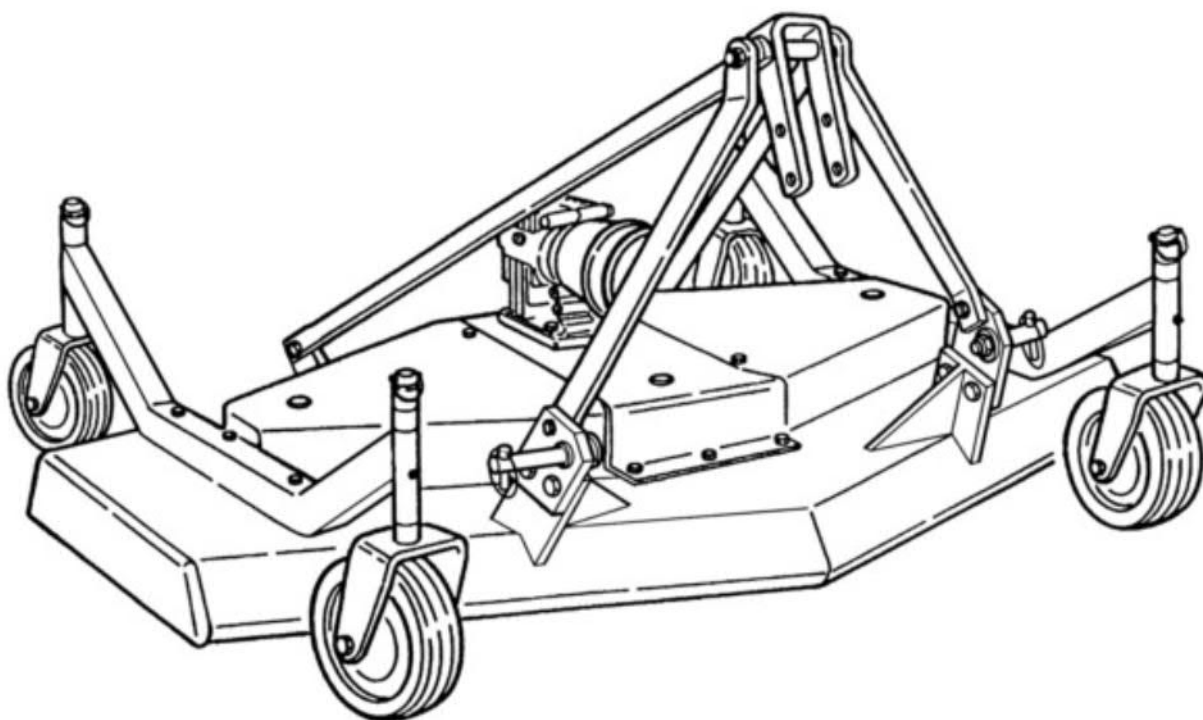
# OPERATOR'S MANUAL

## GROOMING MOWERS

**GM1048E**

**GM1060E**

**GM1072E**



**FRONTIER**  
EQUIPMENT

Manual 5BP960379B

Date 11/11/2010

# SAFETY

Take note! This safety alert symbol found throughout this manual is used to call your attention to instructions involving your personal safety and the safety of others. Failure to follow these instructions can result in injury or death.



*This symbol means:  
ATTENTION!  
BECOME ALERT!  
YOUR SAFETY IS INVOLVED!*

## Signal Words

Note the use of the signal words DANGER, WARNING and CAUTION with the safety messages. The appropriate signal words for each have been selected using the following guidelines:



**DANGER:** Indicates an imminently hazardous situation that, if not avoided, will result in death or serious injury.



**WARNING:** Indicates a potentially hazardous situation that, if not avoided, could result in death or serious injury, and includes hazards that are exposed when guards are removed. It may also be used to alert against unsafe practices.



**CAUTION:** Indicates a potentially hazardous situation that, if not avoided, may result in minor or moderate injury.

# INDEX

<b>1 - GENERAL INFORMATION</b>	4
1.01 - General	4
1.02 - Warranty Information	4
1.03 - Model and Serial Number ID	5
1.04 - Assembly Instructions	5
1.05 - Quick Hitch Adapter Assembly and Operation	7
<b>2 - SAFETY PRECAUTIONS</b>	10
2.01 - Preparation	10
2.02 - Starting and Stopping	11
2.03 - Messages and Signs	11
<b>3 - OPERATION</b>	14
3.01 - Operational Safety	14
3.02 - Set Up	16
3.03 - Cutting Height Adjustment	17
3.04 - Pre-Operational Check	18
3.05 - Attaching to the Tractor	18
3.06 - Start Up	19
3.07 - Working Speed	20
3.08 - Operating Techniques	21
3.09 - Uneven Terrain	22
3.10 - Removing Mower from the Tractor	23
3.11 - Transport	23
<b>4 - MAINTENANCE</b>	24
4.01 - Maintenance Safety	24
4.02 - Service	25
4.03 - Blade Maintenance	26
4.04 - Belt Tension	28
4.05 - Belt Replacement	29
4.06 - Driveline	30
<b>5 - REPAIR PROCEDURES</b>	33
5.01 - Gearbox	33
5.02 - Blade Spindle	33
5.03 - Suggested Spare Parts	33
5.04 - Storage	34
<b>6 - TROUBLESHOOTING</b>	35
<b>7 - PRE-DELIVERY CHECKLIST</b>	36
<b>PARTS MANUAL</b>	37

**<https://www.ebooklibonline.com>**

Hello dear friend!

Thank you very much for reading.

Enter the link into your browser.

The full manual is available for immediate download.

**<https://www.ebooklibonline.com>**

**<https://www.ebooklibonline.com>**

Hello dear friend!

Thank you very much for reading.

Enter the link into your browser.

The full manual is available for immediate download.

**<https://www.ebooklibonline.com>**



**Suggest:**

**For more complete manuals. Please go to the home page.**

**<https://www.ebooklibonline.com>**

**If the above button click is invalid. Please download this document first, and then click the above link to download the complete manual.**

**Thank you so much for reading**

# 1 - GENERAL INFORMATION

Thank you and congratulations for having chosen our implement. Your new grooming mower is a technologically advanced machine constructed of high quality, sturdy components that will fulfill your working expectations. Read this manual carefully. It will instruct you on how to operate and service your mower safely and correctly. Failure to do so could result in personal injury and/or in equipment damage.

## 1.01 - General

The implement described in this manual is to be used with tractors with PTO at 540 rpm and clockwise rotation.



**CAUTION:** Always ensure that the coupling of the implement with the tractor is done at the same PTO speed and direction of rotation. Do not operate this implement at a PTO speed or direction of rotation other than that shown on the implement. Serious damage can occur to the machine and/or the operator.



**CAUTION:** Unless otherwise specified, all hardware is metric. Use only metric tools on metric hardware. Other tools that do not fit properly can slip and cause injury.



**CAUTION:** Right hand and left hand sides of the implement are determined by facing in the direction the implement will travel when going forward (see fig. 5).

## 1.02 - Warranty Information

Warranty coverage is provided by John Deere according to the terms of the Agricultural/Commercial & Consumer Equipment Warranty Statement. Carefully read the warranty statement on the back of your original purchase order for details on coverage and limitations of this warranty.

Your Authorized Company Dealer has genuine parts in stock. Only these approved replacement parts should be used.