

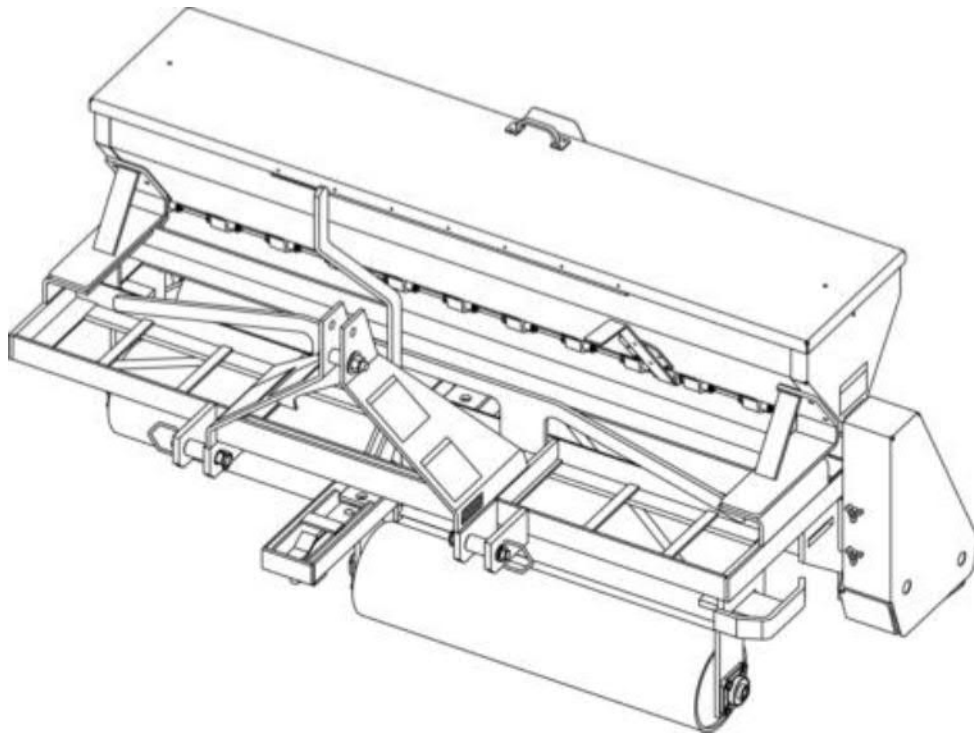
O P E R A T O R ' S M A N U A L

OVERSEEDER

TR1048

TR1060

TR1072



FRONTIER
EQUIPMENT™



Suggest:

For more complete manuals. Please go to the home page.

<https://www.ebooklibonline.com>

If the above button click is invalid. Please download this document first, and then click the above link to download the complete manual.

Thank you so much for reading

TABLE OF CONTENTS

INTRODUCTION	2
SPECIFICATIONS	4
GENERAL INFORMATION.....	4
SAFETY RULES.....	5
SAFETY DECALS	7
DEALER CHECK LISTS.....	9
OPERATION.....	10
OWNER SERVICE	15
PARTS	
DRIVE ASSEMBLY	17
FRAME & ROLLER ASSEMBLY	18 - 19
SEEDBOX ASSEMBLY	20 - 21
BOLT TORQUE CHART.....	22
BOLT SIZE CHART & ABBREVIATIONS.....	23

<https://www.ebooklibonline.com>

Hello dear friend!

Thank you very much for reading.

Enter the link into your browser.

The full manual is available for immediate download.

<https://www.ebooklibonline.com>

<https://www.ebooklibonline.com>

Hello dear friend!

Thank you very much for reading.

Enter the link into your browser.

The full manual is available for immediate download.

<https://www.ebooklibonline.com>