

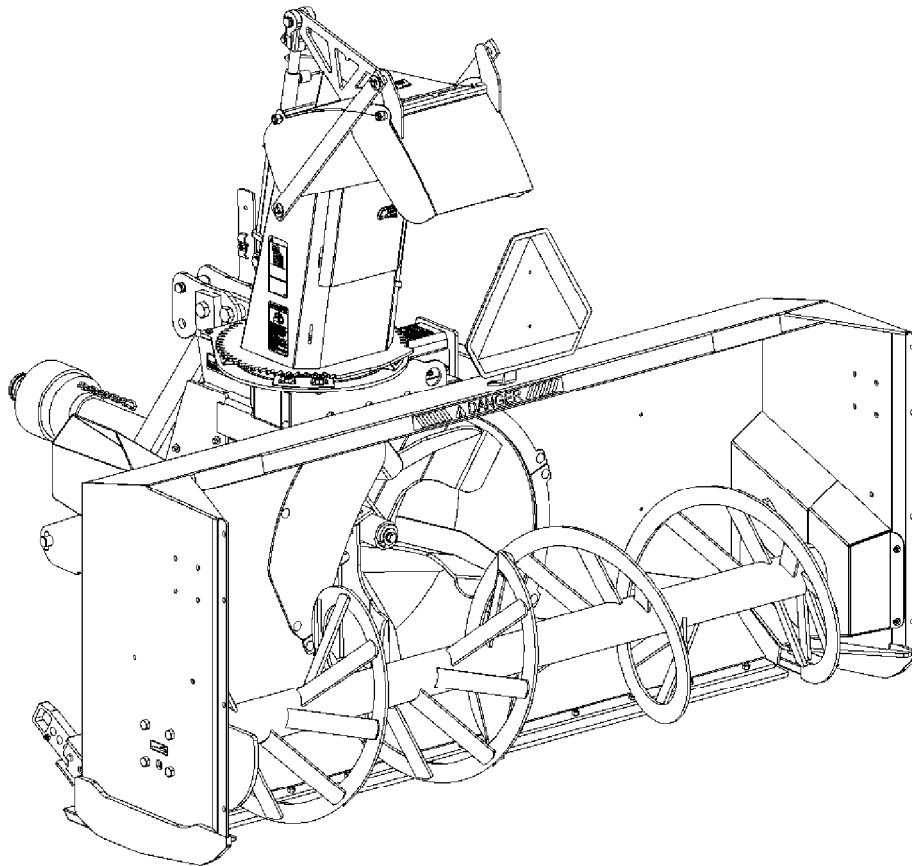
OPERATOR'S MANUAL

# SNOWBLOWERS

SB1392R | SB1308R | SB1309R

WITH ROTATING DRUM

Serial #: 1XFSB13X\_E0140001 & up



**FRONTIER.**

OM0437SB1392R-A  
09/14

---

# TABLE OF CONTENT

---

|                                                                                                              |       |
|--------------------------------------------------------------------------------------------------------------|-------|
| SPECIFICATIONS.....                                                                                          | 3     |
| INTRODUCTION – TO THE PURCHASER.....                                                                         | 4     |
| SAFETY PRECAUTIONS .....                                                                                     | 5-10  |
| General Information.....                                                                                     | 5     |
| Before Operation .....                                                                                       | 6     |
| Notice .....                                                                                                 | 6     |
| The Snowblower.....                                                                                          | 6     |
| Before Operation.....                                                                                        | 6     |
| Snowblower Operation .....                                                                                   | 7     |
| Stay Clear of Rotating Drivelines .....                                                                      | 8     |
| The Tractor .....                                                                                            | 9     |
| General Information .....                                                                                    | 9     |
| Maintenance .....                                                                                            | 10    |
| Transporting.....                                                                                            | 10    |
| Storage .....                                                                                                | 10    |
| SAFETY DECALS .....                                                                                          | 11-12 |
| ASSEMBLY.....                                                                                                | 13-27 |
| Tractor Preparation.....                                                                                     | 13    |
| Snowblower Assembly .....                                                                                    | 13    |
| Installation of SMV Sign .....                                                                               | 13    |
| Installation of Three Point Hitch.....                                                                       | 14    |
| Installation of the <b>5RDF0072</b> or <b>5RDF0073</b> Chute, and the Hydraulic Rotation .....               | 15    |
| Installation of the <b>5RDF0071</b> Hydraulic Deflector– for 2 part Chute .....                              | 16    |
| Installation of the Hydraulic Hoses .....                                                                    | 17    |
| A- Hoses of the chute rotation and the drum rotation.....                                                    | 17    |
| B- Hoses of the chute deflector .....                                                                        | 17    |
| Installation of Second Auger - <b>5RDF0064</b> (92") - <b>5RDF0065</b> (98") - <b>5RDF0066</b> (102") .....  | 19    |
| Installation of Serrated Auger - <b>5RDF0068</b> (92") - <b>5RDF0069</b> (98") - <b>5RDF0070</b> (102")..... | 20    |
| Installation of Drift Cutters - <b>5RDF0074</b> .....                                                        | 21    |
| Installation of Stainless Skid Shoes - <b>5RDF0062</b> .....                                                 | 21    |
| Installation of Lower Hitches for Quick Hitch - <b>5RDF0075</b> .....                                        | 22    |
| Installation of Snowblower with Three Point Hitch.....                                                       | 23    |
| Installation of Snowblower with Quick Hitch.....                                                             | 24    |
| Recommendations for driveline angles.....                                                                    | 25    |
| Angles at Each End of Driveline .....                                                                        | 25    |
| Determining Driveline Length .....                                                                           | 26    |
| Driveline Installation .....                                                                                 | 28    |
| Removing Snowblower from Tractor.....                                                                        | 28    |

---

## TABLE OF CONTENT

---

|                                                                                             |       |
|---------------------------------------------------------------------------------------------|-------|
| OPERATION .....                                                                             | 29-31 |
| General Preparation .....                                                                   | 29    |
| Operating Controls .....                                                                    | 29    |
| Raising and Lowering the Snowblower.....                                                    | 29    |
| Work and Travel Speed .....                                                                 | 29    |
| PTO Operation.....                                                                          | 29    |
| Chute Rotation Orientation.....                                                             | 29    |
| Drum Rotation Orientation.....                                                              | 29    |
| Hydraulic Chute Deflector Orientation .....                                                 | 29    |
| Adjustments .....                                                                           | 30    |
| Manual Deflector Adjustment.....                                                            | 30    |
| Skid Shoe Adjustment.....                                                                   | 30    |
| Chute Door Adjustment.....                                                                  | 30    |
| Snow Removal Methods .....                                                                  | 31    |
| MAINTENANCE .....                                                                           | 32-37 |
| Maintenance.....                                                                            | 32    |
| Driveline.....                                                                              | 32    |
| Drum Rotation Lock Adjustment .....                                                         | 32    |
| Shearbolts .....                                                                            | 32    |
| Driveshaft.....                                                                             | 32    |
| Driveline .....                                                                             | 32    |
| Chain Idler Adjustment .....                                                                | 33    |
| Lubrication.....                                                                            | 34    |
| Driveline – Troubleshooting.....                                                            | 35-37 |
| PARTS .....                                                                                 | 38-55 |
| Introduction .....                                                                          | 38    |
| Manual Holder .....                                                                         | 38    |
| Snowblower Head .....                                                                       | 39    |
| Snowblower Assembly – Front Part .....                                                      | 40    |
| Snowblower Assembly – Rear Part.....                                                        | 42    |
| Three Point Hitch.....                                                                      | 44    |
| Chain Idler .....                                                                           | 46    |
| Hydraulic rotations - chute and drum .....                                                  | 47    |
| Gearbox 5RD662281 .....                                                                     | 48    |
| Driveline 5RD4700293.....                                                                   | 49    |
| 5RDF0072 - Two Part Chute .....                                                             | 50    |
| 5RDF0073 - Three Part Chute .....                                                           | 51    |
| 5RDF0071 - Hydraulic Deflector.....                                                         | 52    |
| 5RDF0075 - Lower hitches for quick hitch .....                                              | 53    |
| Second Auger - <b>5RDF0064</b> (92") - <b>5RDF0065</b> (98") - <b>5RDF0066</b> (102") ..... | 54    |
| <b><u>Other Options: Drift Cutters - Stainless Skid Shoes -</u></b>                         |       |
| <b>Cutting Edges</b> CHT400, Tivar, Stainless – <b>Serrated Auger</b> .....                 | 55    |
| TORQUE SPECIFICATION TABLE .....                                                            | 56    |

**<https://www.ebooklibonline.com>**

Hello dear friend!

Thank you very much for reading.

Enter the link into your browser.

The full manual is available for immediate download.

**<https://www.ebooklibonline.com>**

**<https://www.ebooklibonline.com>**

Hello dear friend!

Thank you very much for reading.

Enter the link into your browser.

The full manual is available for immediate download.

**<https://www.ebooklibonline.com>**



**Suggest:**

**For more complete manuals. Please go to the home page.**

**<https://www.ebooklibonline.com>**

**If the above button click is invalid. Please download this document first, and then click the above link to download the complete manual.**

**Thank you so much for reading**

# SPECIFICATIONS

| Specifications                                | SB1392R                             | SB1308R                             | SB1309R                             |
|-----------------------------------------------|-------------------------------------|-------------------------------------|-------------------------------------|
| <b>General</b>                                |                                     |                                     |                                     |
| Type                                          | 2 phases                            | 2 phases                            | 2 phases                            |
| Direction of impeller rotation                | CCW                                 | CCW                                 | CCW                                 |
| PTO power requirements                        | 75 - 125 Hp                         | 100 - 150 Hp                        | 100 - 150 Hp                        |
| Shipping weight (without chute)               | 2120 Lbs                            | 2158 Lbs                            | 2196 Lbs                            |
| Operating weight, incl. chute & hyd. deflect. | 2206 Lbs                            | 2249 Lbs                            | 2282 Lbs                            |
| Set-up time                                   | 90 min                              | 90 min                              | 90 min                              |
| Working width                                 | 92 1/2"                             | 98 1/2"                             | 102 1/2"                            |
| Working height                                | 41"                                 | 41"                                 | 41"                                 |
| Overall width                                 | 92 1/2"                             | 98 1/2"                             | 102 1/2"                            |
| Overall height (without chute)                | 42 1/2"                             | 42 1/2"                             | 42 1/2"                             |
| Overall height (with three part chute closed) | 81"                                 | 81"                                 | 81"                                 |
| Overall length                                | 63"                                 | 63"                                 | 63"                                 |
| <b>Impeller</b>                               |                                     |                                     |                                     |
| Impeller diameter                             | 30"                                 | 30"                                 | 30"                                 |
| Impeller width                                | 12"                                 | 12"                                 | 12"                                 |
| Number of impeller blade                      | 5                                   | 5                                   | 5                                   |
| Impeller shaft diameter                       | 2"                                  | 2"                                  | 2"                                  |
| Impeller RPM                                  | 540 R.P.M.                          | 540 R.P.M.                          | 540 R.P.M.                          |
| <b>Auger</b>                                  |                                     |                                     |                                     |
| Auger - Single / dual                         | Single (dual in option)             | Single (dual in option)             | Single (dual in option)             |
| Main auger diameter                           | 23"                                 | 23"                                 | 23"                                 |
| Auger driven system                           | Chain No.80                         | Chain No.80                         | Chain No.80                         |
| Second auger diameter                         | 14"                                 | 14"                                 | 14"                                 |
| Second auger driven system                    | Chain No.60                         | Chain No.60                         | Chain No.60                         |
| Auger RPM                                     | 205 RPM                             | 205 RPM                             | 205 RPM                             |
| <b>Drum</b>                                   |                                     |                                     |                                     |
| Rotating drum                                 | Yes                                 | Yes                                 | Yes                                 |
| Rotation of drum                              | Hydraulic by motor                  | Hydraulic by motor                  | Hydraulic by motor                  |
| Flow restrictor                               | Yes                                 | Yes                                 | Yes                                 |
| <b>Housing</b>                                |                                     |                                     |                                     |
| Housing thickness                             | 10 Ga.                              | 10 Ga.                              | 10 Ga.                              |
| Side panel thickness                          | 1/4"                                | 1/4"                                | 1/4"                                |
| Impeller housing thickness                    | 1/4"                                | 1/4"                                | 1/4"                                |
| <b>Chute</b>                                  |                                     |                                     |                                     |
| Chute position                                | Right                               | Right                               | Right                               |
| Rotation of the chute                         | Hydraulic by motor                  | Hydraulic by motor                  | Hydraulic by motor                  |
| Flow restrictor (rotation)                    | Yes                                 | Yes                                 | Yes                                 |
| Flow restrictor (deflector)                   | Yes                                 | Yes                                 | Yes                                 |
| Hoses support                                 | Yes                                 | Yes                                 | Yes                                 |
| Deflector adjustment (2 part chute)           | Manual (hydraulic in option)        | Manual (hydraulic in option)        | Manual (hydraulic in option)        |
| Deflector adjustment (3 part chute)           | Hydraulic                           | Hydraulic                           | Hydraulic                           |
| <b>Cutting edge</b>                           |                                     |                                     |                                     |
| Replaceable and reversible cutting edge       | Yes                                 | Yes                                 | Yes                                 |
| Cutting edge material                         | Carb.steel (other mater.available)  | Carb.steel (other mater.available)  | Carb.steel (other mater.available)  |
| Cutting edge dimension                        | 1/2" x 5"                           | 1/2" x 5"                           | 1/2" x 5"                           |
| <b>Skid shoe</b>                              |                                     |                                     |                                     |
| Replaceable and reversible skid shoe          | Yes, 8 positions                    | Yes, 8 positions                    | Yes, 8 positions                    |
| Skid shoe material                            | Stand.steel (other mater.available) | Stand.steel (other mater.available) | Stand.steel (other mater.available) |
| <b>Drive and hitch</b>                        |                                     |                                     |                                     |
| Main driving system                           | Driveline series 80                 | Driveline series 80                 | Driveline series 80                 |
| Chain idler                                   | Twin sprokets w/compress.spring     | Twin sprokets w/compress.spring     | Twin sprokets w/compress.spring     |
| Parking stand                                 | Yes                                 | Yes                                 | Yes                                 |
| Number of auger shear bolt                    | 2 (on the driving shaft)            | 2 (on the driving shaft)            | 2 (on the driving shaft)            |
| Number of impeller shear bolt                 | 1 (on the driveline)                | 1 (on the driveline)                | 1 (on the driveline)                |
| Type of hitch                                 | 3 pts, cat. 2 & 3                   | 3 pts, cat. 2 & 3                   | 3 pts, cat. 2 & 3                   |
| Compatibility with quick hitch                | Requires kit 5RDF0075               | Requires kit 5RDF0075               | Requires kit 5RDF0075               |