

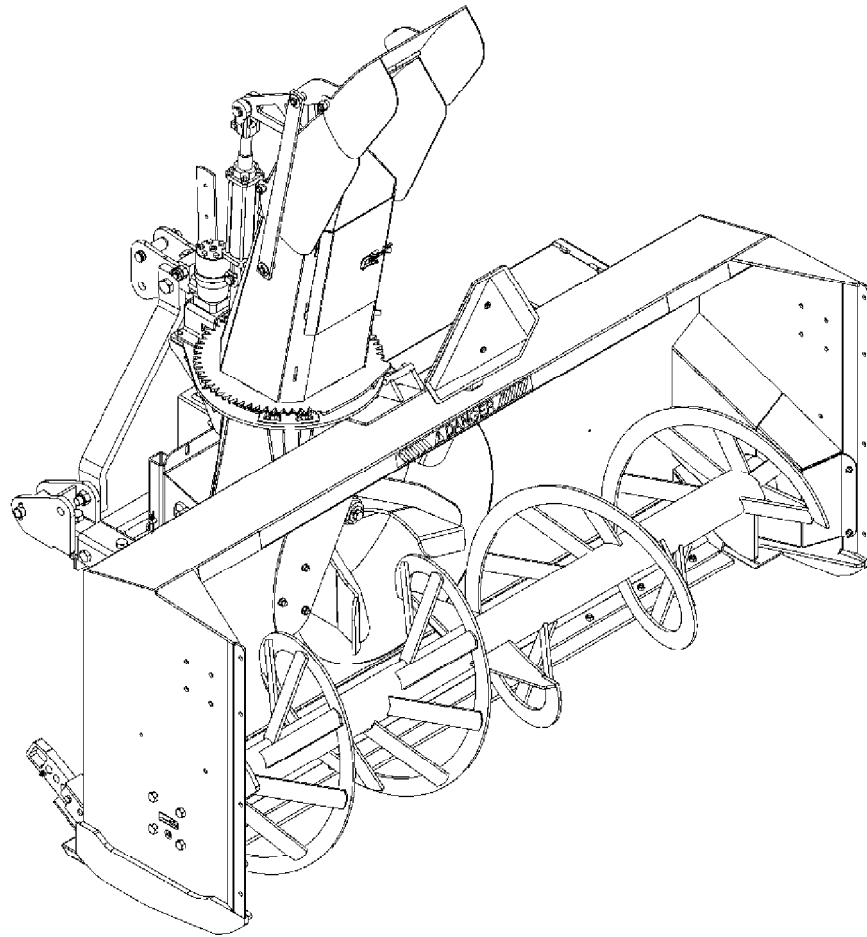
OPERATOR'S MANUAL

# SNOWBLOWERS

SB1392

SB1308

Serial #: 1XFSB13X\_E0140001 & up



**FRONTIER.**

---

# TABLE OF CONTENT

---

SPECIFICATIONS.....	3
INTRODUCTION – TO THE PURCHASER.....	4
SAFETY PRECAUTIONS .....	5-10
General Information.....	5
Before Operation .....	6
Notice.....	6
The Snowblower.....	6
Before Operation.....	6
Snowblower Operation .....	7
Stay Clear of Rotating Drivelines .....	8
The Tractor .....	9
General Information .....	9
Operating the Tractor.....	9
During operation .....	9
Maintenance .....	10
Transportation .....	10
Storage .....	10
SAFETY DECALS .....	11-12
ASSEMBLY.....	13-27
Tractor Preparation .....	13
Snowblower Assembly .....	13
Installation of SMV Sign .....	13
Installation of Three Point Hitch.....	14
Installation of the <b>5RDF0072</b> or <b>5RDF0073</b> Chute, and the Hydraulic Rotation .....	15
Installation of the <b>5RDF0071</b> Hydraulic Deflector– for 2 part Chute .....	16
Installation of the Hydraulic Hoses .....	17
A- Hoses of the chute rotation.....	17
B- Hoses of the chute deflector (if not installed) .....	17
Installation of Second Auger - <b>5RDF0064</b> (92") - <b>5RDF0065</b> (98") .....	19
Installation of Serrated Auger - <b>5RDF0068</b> (92") - <b>5RDF0069</b> (98").....	20
Installation of Drift Cutters - <b>5RDF0074</b> .....	21
Installation of Stainless Skid Shoes - <b>5RDF0062</b> .....	21
Installation of Lower Hitches for Quick Hitch - <b>5RDF0075</b> .....	22
Installation of Snowblower with Three Point Hitch.....	23
Installation of Snowblower with Quick Hitch.....	24
Preparation of the Driveline .....	25
Recommendations for driveline angles .....	25
Angles at Each End of Driveline .....	25
Determining Driveline Length .....	26
Driveline Installation .....	28
Removing Snowblower from Tractor.....	28

---

# TABLE OF CONTENT

---

OPERATION .....	29-31
General Preparation .....	29
Operating Controls .....	29
Raising and Lowering the Snowblower.....	29
Work and Travel Speed .....	29
PTO Operation.....	29
Chute Rotation Orientation.....	29
Hydraulic Chute Deflector Orientation .....	29
Adjustments .....	30
Manual Deflector Adjustment.....	30
Skid Shoe Adjustment.....	30
Chute Door Adjustment.....	30
Snow Removal Methods .....	31
MAINTENANCE .....	32-37
Maintenance.....	32
Driveline.....	32
Shearbolts .....	32
Driveshaft .....	32
Driveline .....	32
Chain Idler Adjustment .....	33
Lubrication.....	34
Driveline – Troubleshooting.....	35-37
PARTS .....	38-55
Introduction .....	38
Manual Holder .....	38
Chain Idler .....	39
Snowblower Assembly – Front Part .....	40
Snowblower Assembly – Rear Part.....	42
Three Point Hitch.....	44
Hydraulic rotation .....	46
Gearbox .....	47
Driveline .....	48
<b>5RDF0072</b> - Two Part Chute .....	49
<b>5RDF0073</b> - Three Part Chute .....	50
<b>5RDF0071</b> - Hydraulic Deflector.....	51
<b>5RDF0075</b> - Lower hitches for quick hitch .....	52
Second Auger - <b>5RDF0064</b> (92") - <b>5RDF0065</b> (98") .....	53
<u><b>Other Options: Drift Cutters - Stainless Skid Shoes -</b></u> <b>Cutting Edges</b> CHT400, Tivar, Stainless – <b>Serrated Auger</b> .....	54
TORQUE SPECIFICATION TABLE .....	55

**<https://www.ebooklibonline.com>**

Hello dear friend!

Thank you very much for reading.

Enter the link into your browser.

The full manual is available for immediate download.

**<https://www.ebooklibonline.com>**

**<https://www.ebooklibonline.com>**

Hello dear friend!

Thank you very much for reading.

Enter the link into your browser.

The full manual is available for immediate download.

**<https://www.ebooklibonline.com>**



**Suggest:**

**For more complete manuals. Please go to the home page.**

**<https://www.ebooklibonline.com>**

**If the above button click is invalid. Please download this document first, and then click the above link to download the complete manual.**

**Thank you so much for reading**

# SPECIFICATIONS

Specifications	SB1392	SB1308
<b>General</b>		
Type	2 phases	2 phases
Direction of impeller rotation	CCW	CCW
PTO power requirements	75 - 125 Hp	100 - 150 Hp
Shipping weight (without chute)	2045 Lbs	2083 Lbs
Operating weight, incl. chute & hyd. deflect.	2131 Lbs	2169 Lbs
Set-up time	90 min	90 min
Working width	92 1/2"	98 1/2"
Working height	41"	41"
Overall width	92 1/2"	98 1/2"
Overall height (without chute)	42 1/2"	42 1/2"
Overall height (with three part chute closed)	81"	81"
Overall length	61"	61"
<b>Impeller</b>		
Impeller diameter	30"	30"
Impeller width	12"	12"
Number of impeller blade	5	5
Impeller shaft diameter	2"	2"
Impeller RPM	540 RPM	540 RPM
<b>Auger</b>		
Auger - Single / dual	Single (dual in option)	Single (dual in option)
Main auger diameter	23"	23"
Auger driven system	Chain No.80	Chain No.80
Second auger diameter	14"	14"
Second auger driven system	Chain No.60	Chain No.60
Auger RPM	205 RPM	205 RPM
<b>Drum</b>		
Rotating drum	No	No
Rotation of drum	N/A	N/A
Flow restrictor	N/A	N/A
<b>Housing</b>		
Housing thickness	10 Ga.	10 Ga.
Side panel thickness	1/4"	1/4"
Impeller housing thickness	1/4"	1/4"
<b>Chute</b>		
Chute position	Right	Right
Rotation of the chute	Hydraulic by motor	Hydraulic by motor
Flow restrictor (rotation)	Yes	Yes
Flow restrictor (deflector)	Yes	Yes
Hoses support	Yes	Yes
Deflector adjustment (2 part chute)	Manual (hydraulic in option)	Manual (hydraulic in option)
Deflector adjustment (3 part chute)	Hydraulic	Hydraulic
<b>Cutting edge</b>		
Replaceable and reversible cutting edge	Yes	Yes
Cutting edge material	Carb.steel (other mater.available)	Carb.steel (other mater.available)
Cutting edge dimension	1/2" x 5"	1/2" x 5"
<b>Skid shoe</b>		
Replaceable and reversible skid shoe	Yes, 8 positions	Yes, 8 positions
Skid shoe material	Stand.steel (other mater.available)	Stand.steel (other mater.available)
<b>Drive and hitch</b>		
Main driving system	Driveline series 80	Driveline series 80
Chain idler	Twin sprokets w/compress.spring	Twin sprokets w/compress.spring
Parking stand	Yes	Yes
Number of auger shear bolt	2 (on the driving shaft)	2 (on the driving shaft)
Number of impeller shear bolt	1 (on the driveline)	1 (on the driveline)
Type of hitch	3 pts, cat. 2 & 3	3 pts, cat. 2 & 3
Compatibility with quick hitch	Requires kit 5RDF0075	Requires kit 5RDF0075