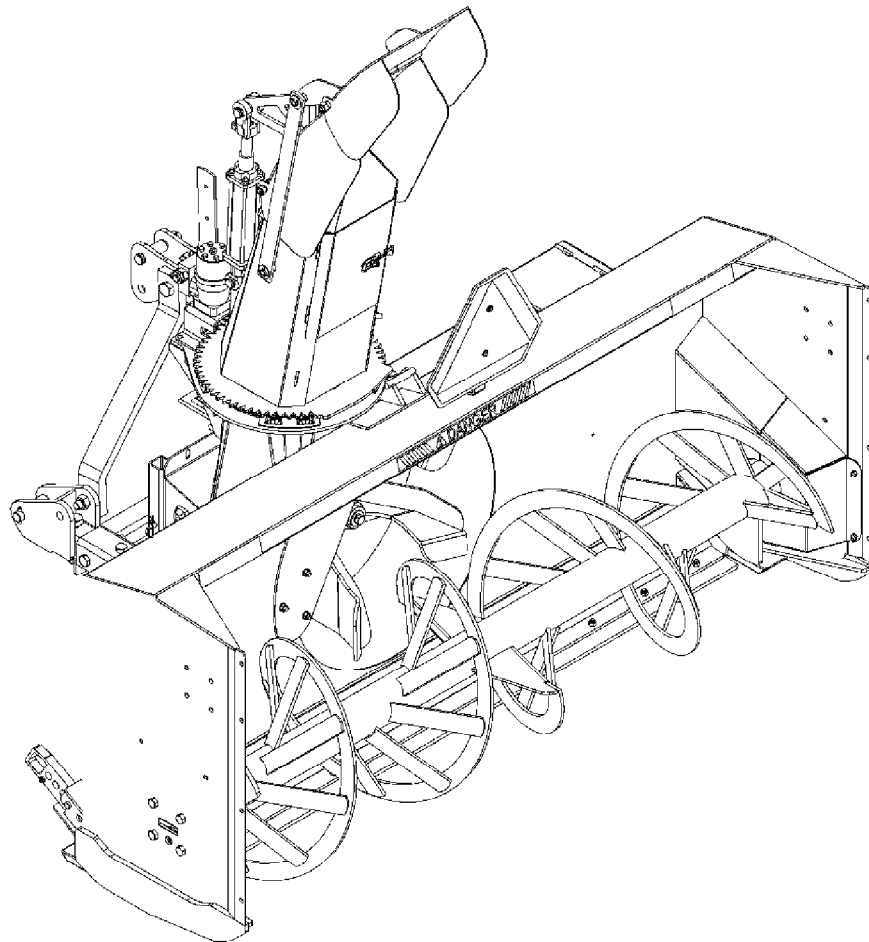


OPERATOR'S MANUAL

SNOWBLOWER

SB1388

Serial #: 1XFSB13X_E0140001 & plus



FRONTIER.

OM 0437SB1388-A
09/14

TABLE OF CONTENT

SPECIFICATIONS.....	3
INTRODUCTION – TO THE PURCHASER.....	4
SAFETY PRECAUTIONS	5-10
General Information.....	5
Notice	6
The Snowblower	6
Before Operation.....	6
Snowblower Operation	6
Stay Clear of Rotating Drivelines	8
The Tractor.....	9
General Information	9
Operating the Tractor.....	9
During Operation.....	9
Maintenance	9
Transportation.....	10
Storage	10
SAFETY DECALS	11-12
ASSEMBLY.....	13-28
Tractor Preparation.....	13
Snowblower Assembly	13
Installation of SMV Sign	13
Installation of Three Point Hitch.....	14
Installation of the 5RDF0072 or 5RDF0073 Chute, and the Hydraulic Rotation	15
Installation of the 5RDF0071 Hydraulic Deflector for 2 part Chute	16
Installation of the Hydraulic Hoses	17
A- Hoses of the chute rotation.....	17
B- Hoses of the chute deflector.....	17
Installation of Second Auger - 5RDF0063	19
Installation of Serrated Auger 5RDF0067	20
Installation of Drift Cutters - 5RDF0074	21
Installation of Stainless Skid Shoes - 5RDF0062	21
Installation of Lower Hitches for Quick Hitch - 5RDF0077	22
Installation of Snowblower with Three Point Hitch.....	23
Installation of Snowblower with Quick Hitch.....	24
Preparation of the driveline.....	25
Recommendations for driveline angles	25
Angles at Each End of Driveline	25
Determining Driveline Length	26
Driveline Installation	28
Removing Snowblower from Tractor.....	28

TABLE OF CONTENT

OPERATION	29-31
General Preparation	29
Operating Controls	29
Raising and Lowering the Snowblower.....	29
Work and Travel Speed	29
PTO Operation.....	29
Chute Rotation Orientation.....	29
Hydraulic Chute Deflector Orientation	30
Adjustments	29
Manual Deflector Adjustment.....	30
Skid Shoe Adjustment.....	30
Chute Door Adjustment.....	30
Snow Removal Methods	31
MAINTENANCE	32-37
Maintenance.....	32
Driveline.....	32
Shearbolts	32
Driveshaft	32
Driveline	32
Chain Idler Adjustment	33
Lubrication.....	34
Driveline – Troubleshooting.....	35-37
PARTS	38-55
Introduction	38
Manual Holder	38
Chain Idler	39
Snowblower Assembly – Front Part	40
Snowblower Assembly – Rear Part.....	42
Three Point Hitch.....	44
Hydraulic rotation	46
Gearbox	47
Driveline	48
5RDF0072 - Two Part Chute	49
5RDF0073 - Three Part Chute	50
5RDF0071 - Hydraulic Deflector.....	51
5RDF0077 - Lower hitches for quick hitch	52
5RDF0063 - Second Auger	53
<u>Other Options: Drift Cutters - Stainless Skid Shoes -</u> Cutting Edges CHT400, Tivar, Stainless – Serrated Auger	54
TORQUE SPECIFICATION TABLE	55

<https://www.ebooklibonline.com>

Hello dear friend!

Thank you very much for reading.

Enter the link into your browser.

The full manual is available for immediate download.

<https://www.ebooklibonline.com>

<https://www.ebooklibonline.com>

Hello dear friend!

Thank you very much for reading.

Enter the link into your browser.

The full manual is available for immediate download.

<https://www.ebooklibonline.com>



Suggest:

For more complete manuals. Please go to the home page.

<https://www.ebooklibonline.com>

If the above button click is invalid. Please download this document first, and then click the above link to download the complete manual.

Thank you so much for reading

SPECIFICATIONS

Specifications	SB1388
General	
Type	2 phases
Direction of impeller rotation	CCW
PTO power requirements	55 - 85 Hp
Shipping weight (without chute)	1531 Lbs
Operating weight, incl. chute & hyd. deflect.	1607 Lbs
Set-up time	90 min
Working width	88 1/2"
Working height	41"
Overall width	88 1/2"
Overall height (without chute)	42 1/2"
Overall height (with three part chute closed)	81"
Overall length	59"
Impeller	
Impeller diameter	28"
Impeller width	12"
Number of impeller blade	4
Impeller shaft diameter	1 9/16"
Impeller RPM	540 RPM
Auger	
Auger - Single / dual	Single (dual in option)
Main auger diameter	23"
Auger driven system	Chain No.80
Second auger diameter	14"
Second auger driven system	Chain No.60
Auger RPM	185 RPM
Drum	
Rotating drum	No
Rotation of drum	N/A
Flow restrictor	N/A
Housing	
Housing thickness	10 Ga.
Side panel thickness	1/4"
Impeller housing thickness	1/4"
Chute	
Chute position	Right
Rotation of the chute	Hydraulic by motor
Flow restrictor (rotation)	Yes
Flow restrictor (deflector)	Yes
Hoses support	Yes
Deflector adjustment (2 part chute)	Manual (hydraulic in option)
Deflector adjustment (3 part chute)	Hydraulic
Cutting edge	
Replaceable and reversible cutting edge	Yes
Cutting edge material	Carb.steel (other mater.available)
Cutting edge dimension	1/2" x 4"
Skid shoe	
Replaceable and reversible skid shoe	Yes, 8 positions
Skid shoe material	Stand.steel (other mater.available)
Drive and hitch	
Main driving system	Driveline series 80
Chain idler	Twin sprokets w/compress.spring
Parking stand	Yes
Number of auger shear bolt	1 (on the driving shaft)
Number of impeller shear bolt	1 (on the driveline)
Type of hitch	3 pts, cat. 2
Compatibility with quick hitch	Requires kit 5RDF0077