

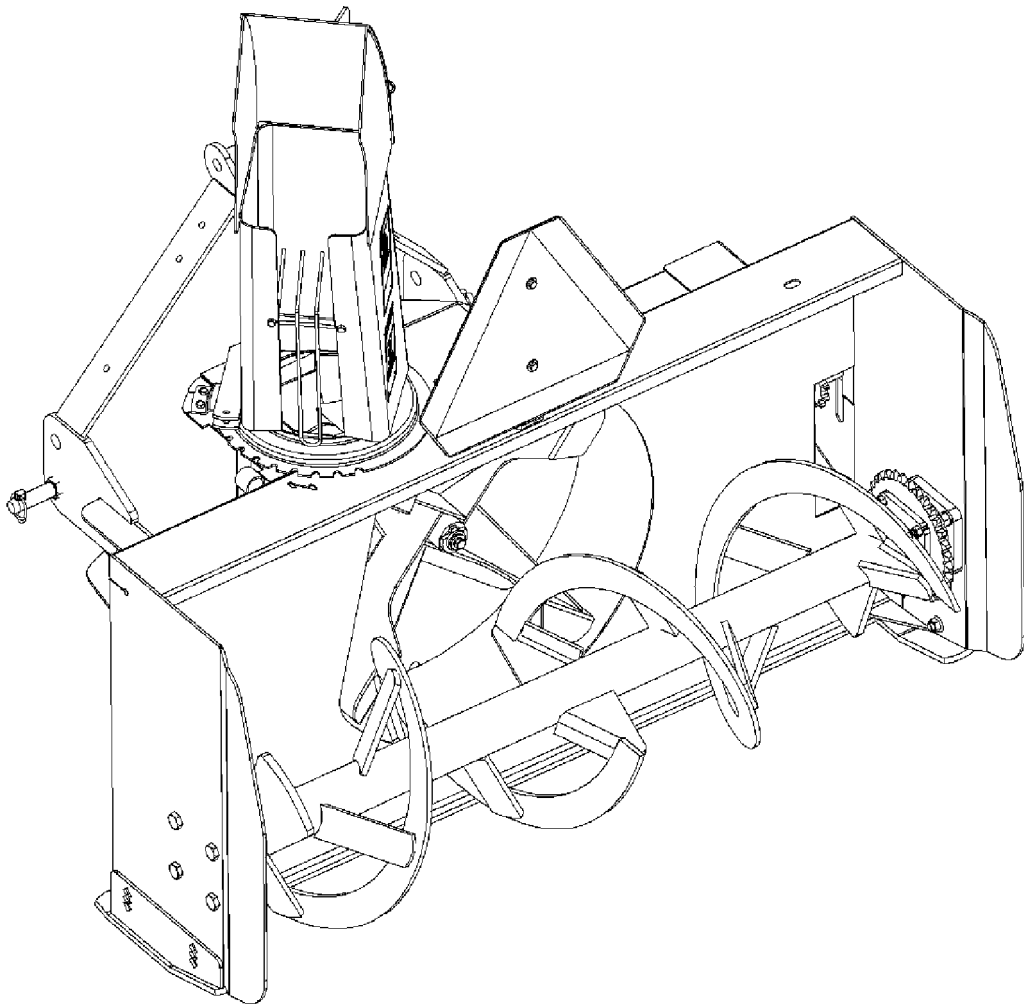
OPERATOR'S MANUAL

# SNOWBLOWERS

SB1148

SB1154

SB1164



**FRONTIER**  
EQUIPMENT

OM0369SB1148-A  
12/09

---

# TABLE OF CONTENT

---

SPECIFICATIONS.....	3
INTRODUCTION – TO THE PURCHASER.....	4
SAFETY PRECAUTIONS .....	5
General Information.....	5
Before Operation .....	6
Notice.....	6
The Snowblower.....	6
Before Operation.....	6
Snowblower Operation .....	7
The Tractor .....	7
General Information .....	7
Maintenance .....	8
Transporting.....	9
Storage .....	9
SAFETY DECALS .....	10
ASSEMBLY.....	11
Tractor Preparation .....	11
Snowblower Assembly .....	11
Installation of SMV Sign.....	11
Installation of Chute and Manual Rotation Kit 5RDF0016.....	12
Installation of Chute and Hydraulic Rotation Kit 5RDF0017.....	14
Installation of Electric Deflector Kit 5RDF0020 – For SB1154 & SB1164 Only.....	16
Installation of Hydraulic Deflector Kit 5RDF0019.....	18
Installation of Snowblower with Three Point Hitch.....	19
Installation of Snowblower with Quick Hitch.....	20
How to Determine Driveline Angles .....	21
Angles at Each End of Driveline.....	22
Determining Driveline Length.....	22
Driveline Installation.....	24
Removing Snowblower from Tractor .....	25

---

# TABLE OF CONTENT

---

OPERATION .....	27
General Preparation .....	27
Operating Controls .....	27
Work and Travel Speed .....	27
Raising and Lowering the Snowblower.....	27
Adjustments .....	27
Reduction Chain Tension Adjustment .....	27
Skid Shoe Adjustment.....	27
Manual Deflector Adjustment .....	27
Snow Removal Methods .....	28
MAINTENANCE.....	29
Maintenance .....	29
Shearbolts .....	29
Drive shaft.....	29
Driveline.....	29
Lubrication.....	30
Driveline – Troubleshooting.....	31
PARTS .....	34
Introduction .....	34
Manual Holder .....	34
Snowblower – SB1148 .....	35
Snowblower – SB1154 & SB1164.....	38
Gearboxes .....	41
Driveline 5RD4700100 for SB1148 .....	42
Driveline 5RD4700159 for SB1154 & SB1164.....	43
5RDF0016 - Manual Rotation for SB1148 – SB1154 – SB1164.....	44
5RDF0017 - Hydraulic Rotation for SB1148 – SB1154 – SB1164 .....	45
5RDF0009 - Hydraulic Deflector for SB1148 – SB1154 – SB1164 .....	46
5RDF0020- Electric Deflector for SB1154 – SB1164 Only.....	47
TORQUE SPECIFICATION TABLE .....	48

**<https://www.ebooklibonline.com>**

Hello dear friend!

Thank you very much for reading.

Enter the link into your browser.

The full manual is available for immediate download.

**<https://www.ebooklibonline.com>**

**<https://www.ebooklibonline.com>**

Hello dear friend!

Thank you very much for reading.

Enter the link into your browser.

The full manual is available for immediate download.

**<https://www.ebooklibonline.com>**



**Suggest:**

**For more complete manuals. Please go to the home page.**

**<https://www.ebooklibonline.com>**

**If the above button click is invalid. Please download this document first, and then click the above link to download the complete manual.**

**Thank you so much for reading**

# SPECIFICATIONS

Features and Specifications	SB1148	SB1154	SB1164
Function	Snow Removal	Snow Removal	Snow Removal
<b>Working Width</b>	48"	54"	64"
Transport Width	48"	54"	64"
Working Height	24 5/8"	26"	26"
Length	39"	39"	39"
Single/Dual Auger	Single	Single	Single
Auger Diameter	15"	15"	15"
Auger Flighting Thickness	1/4"	5/16"	5/16"
Impeller Diameter	20"	24"	24"
Impeller Width	6"	7"	7"
Impeller Shaft Diameter	1"	1 3/8"	1 3/8"
Number of Impeller blades	4	4	4
Roller Chain	50	60	60
Drive sprocket (# of teeth)	17	10	10
Driven sprocket (# of teeth)	36	32	32
Chain idler	Manual adjustment	Manual adjustment	Manual adjustment
Gearbox Manufacturer	Comer	Comer	Comer
Gearbox Description	Model L-25J	Model T-281A	Model T-281A
Tractor RPM	540	540	540
Impeller RPM	540	540	540
Auger RPM	170	170	170
PTO Manufacturer	Comer	Comer	Comer
PTO Description	20	40	40
Skid Shoe	Adjustable	Adjustable	Adjustable
Skid Shoe Material	Steel	Steel	Steel
End Plate Thickness	3/16"	3/16"	3/16"
Back Plate Thickness	12ga	12ga	12ga
Impeller Housing Thickness	12ga	12ga	12ga
Impeller Blade Thickness	3/16"	3/16"	3/16"
Side Panel Bottom Thickness	3/16"	3/16"	3/16"
Cutting Edge	Welded	Welded	Welded
Cutting Edge Dimension	3/8" x 2"	3/8" x 2"	3/8" x 2"
Chute Base	Standard	Standard	Standard
Parking Stand	Standard	Standard	Standard
Hitch Category	Cat. 1	Cat. 1	Cat. 1
Quick Hitch Compatibility	ASABE Compatible	ASABE Compatible	ASABE Compatible
HP Requirements - min-max (hp)	16-35	16-35	20-50
Operating Weight (lbs)-hyd. rot. & defl.	437	455	479
Shipping Weight (lbs)	379	464	494
Approx. Set-up Time (min.)*	40	35	35
Chute Deflector Adjustment (standard)	Manual	Manual	Manual
Chute Deflector Adjustment (option)	Hydraulic cylinder (2"x6") - including hoses, and tips	<b>Hydraulic</b> - cylinder (2"x6") - including hoses, and tips <b>Electric</b> - 4" actuator - 1000 lbs. including hardware, switch, and electric cable.	<b>Hydraulic</b> - cylinder (2"x6") - including hoses, and tips <b>Electric</b> - 4" actuator - 1000 lbs. including hardware, switch, and electric cable.
Chute Rotation	<b>Manual</b> - worm gear w/ crank. <b>Hydraulic</b> - cylinder (2"x6") - including bracket, hoses, and tips	<b>Manual</b> - worm gear w/ crank. <b>Hydraulic</b> - cylinder (2"x6") - including bracket, hoses, and tips	<b>Manual</b> - worm gear w/ crank. <b>Hydraulic</b> - cylinder (2"x6") - including bracket, hoses, and tips
Chute	Two-part	Two-part	Two-part

\* With manual chute rotation