

SICKLE BAR

SB 1106

SB 1107



FRONTIER
EQUIPMENT



TABLE OF CONTENTS

Description		Service Machine Safely	
Description of the sickle bar	5	Practice safe maintenance.....	26
Assembly drawing	6	Wear appropriate clothing	26
		Stay clear of rotating drivelines	26
		Maintenance	26
Technical specification		Service	
Technical specification	7	Lubrication	28
Handling	7	Routine maintenance	28
		Every 2 work hours	28
		Every 8 work hours	28
		Every 50 work hours	28
		Periodically (6 months)	28
		After each mowing job	28
		Cleaning and oiling the cutters	29
		Checking the clearance tolerance	29
		Storage	30
		Extra maintenance	31
		Replacement of section-holding bar	31
		Replacement of sections	31
		Replacement of bar holding removable tooth	32
		Replacement of removable tooth	32
		Replacement of belts	32
		Replacement of pulleys	32
		Demolition and disposal	
		Demolition and disposal	33
		Assembly	
		Assembly	34
		Transport on road	
		Transport on road	42
		Spare parts	
		Spare parts	43
		Decal kit and location	
		Decal kit and location	54
		Warranty	
		Warranty	56
		Warranty for replacement parts	57
Safety signs			
Safety-Alert symbol	8		
Identification machine	8		
Machine safety labels	8		
Machine safety labels and positions			
Machine safety labels and positions	9		
Preparing the vehicle			
Preparing the tractor	10		
Park vehicle safety	10		
Stay clear of rotating drivelines	10		
Installing			
Installing sickle bar on tractor	10		
PTO shaft adaption	12		
Stability of sickle bar and tractor during transport	13		
Quick Coupler (optional)	14		
Park vehicle safety	14		
Stay clear of rotating drivelines	14		
Removing			
Removing sickle bar	15		
Removing sickle bar with Quick Coupler	15		
Operating			
Operate safely	16		
Wear appropriate clothing	17		
Stay clear of rotating drivelines	17		
Adapting the mowing bar	18		
Adjustment	19		
Mowing	20		
Hazard bar	20		
Use of lifting device	22		
Mowing on flat ground	23		
Mowing on sloping ground	24		
Table approximate for choice of the cutting bar	25		

<https://www.ebooklibonline.com>

Hello dear friend!

Thank you very much for reading.

Enter the link into your browser.

The full manual is available for immediate download.

<https://www.ebooklibonline.com>

TO THE DEALER:

Assembly and proper installation of this product is the responsibility of the Frontier dealer. Read manual instruction and safety rules. Make sure all items on the Dealer's Pre-Delivery Check List in the Operator's Manual are completed before releasing equipment to the owner.

The dealer must complete the Warranty Registration, located on the Frontier website. **Warranty claims will be denied if the Warranty Registration has not been completed.**

TO THE OWNER:

Read this manual before operating your frontier equipment. The information presented will prepare you to do a better and a safer job. Keep this manual handy for ready reference. Require all operators to read this manual carefully and become acquainted with all the adjustment and operating procedures before attempting to operate. Replacement manuals can be obtained from your selling dealer.

The equipment you have purchased has been carefully engineered and manufactured to provide dependable and satisfactory use. Like all mechanical products, it will require cleaning and upkeep. Lubricate the unit as specified. Observe all safety information in this manual and safety decals on the equipment.

For service, your authorized Frontier dealer has trained mechanics, genuine Frontier service parts, and the necessary tools and equipment to handle all your needs.

Use only genuine Frontier service parts. Substitute parts will void the warranty and may not meet standards required for safe and satisfactory operation. Record the model number and serial number of your equipment in the spaces provided:

Model: _____ **Date of Purchase** _____

Serial Number: (see Safety Decal section for location) _____

Provide this information to your dealer to obtain correct repair parts.

Throughout this manual, the term **IMPORTANT** is used to indicate that failure to observe can cause damage to equipment. The terms **CAUTION**, **WARNING** and **DANGER** are used in conjunction with the Safety-Alert Symbol, (a triangle with an exclamation mark), to indicate the degree of hazard for items of personal safety.



This Safety-Alert Symbol indicates a hazard and means **ATTENTION! BECOME ALERT! YOUR SAFETY IS INVOLVED!**



Indicates an imminently hazardous situation that, if not avoided, will result in death or serious injury.



WARNING

Indicates a potentially hazardous situation that, if not avoided, could result in death or serious injury, and includes hazards that are exposed when guards are removed.



CAUTION

Indicates a potentially hazardous situation that, if not avoided, may result in minor or moderate injury.

IMPORTANT

Indicates that a failure to observe can cause damage to equipment.

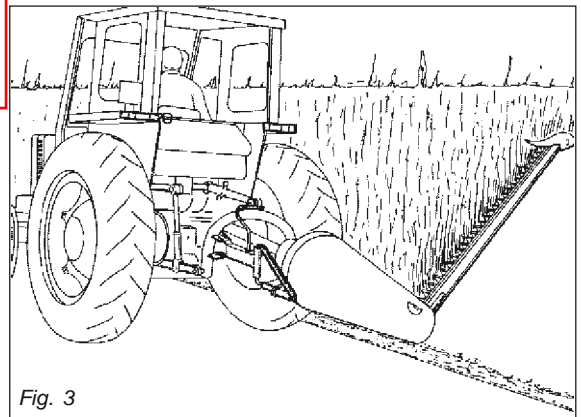
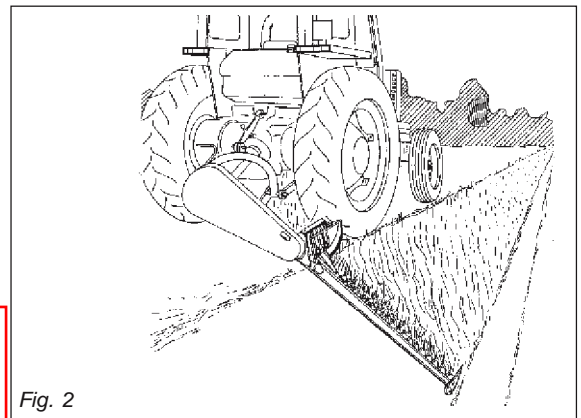
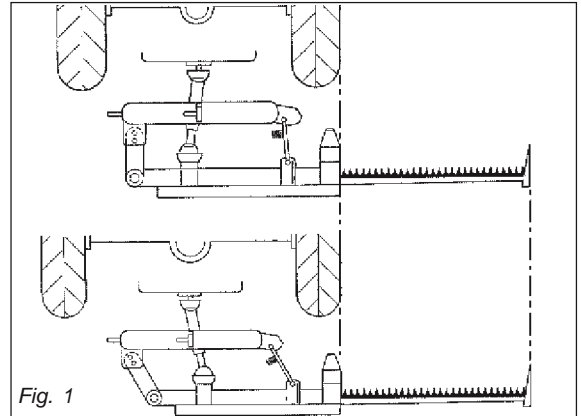
NOTE

Indicates helpful information.

DESCRIPTION

Description of the sickle bar

This agricultural implement can only operate by means of a cardan shaft applied to the pto of an agricultural tractor equipped with lift and universal three-point hitch. Since it is movable, the mowing machine can be easily mounted on tractors with different gauges or on tracked vehicles (Fig. 1). The two-motion tooth-blade system used in mowing machines, makes possible a scissors cut which leads to a high speed operation on any crop. The original tooth-blade motion guarantees a sharp and clean cut on any type of grass, be it damp or flattened. It is thanks to the total absence of soil which this mowing system does not raise, sharp because the stems are not frayed. The sickle bar may also be used with the cutting arm tilted for working on canals, ditches and embankments (Fig. 2 and 3).



ATTENTION

The sickle bar is suitable only for the uses indicated. Any other use different from that described in these instructions may cause damage to the machine and represent a hazard for the user.

<https://www.ebooklibonline.com/downloads/john-deere-frontier-sb1106-sb1107-sickle-bar->

It is therefore advisable to strictly comply with the instructions in order to prevent faults which could affect the correct and long-lasting operation of the machine. Compliance with the instructions in this handbook is also important since **the Manufacturer declines all and every responsibility for damage to persons or property caused by negligence and failure to comply with these instructions.**

The Manufacturer shall, however, remain at the customers' disposal for immediate and thorough assistance together with anything else that may be required in order to ensure the correct operation and maximum efficiency of the implement.

The Manufacturer reserves the right to make any modifications and improvements to the implement as may be considered opportune, without being obliged to immediately inform the user.



Suggest:

For more complete manuals. Please go to the home page.

<https://www.ebooklibonline.com>

If the above button click is invalid. Please download this document first, and then click the above link to download the complete manual.

Thank you so much for reading

DESCRIPTION

Assembly drawing

- 1 External shoe;
- 2 Mowing guide;
- 3 Cutting arm;
- 4 Upper 3rd point hitches;
- 5 Gauge varying articulation;
- 6 Chassis;
- 7 Tirant;
- 8 Lower 3rd point hitches;
- 9 Hazard bar;
- 10 Support;
- 11 Identification label;
- 12 Cover;
- 13 Protective casing for connecting-rod systems;
- 14 Support;
- 15 Hinge (pivot point);
- 16 Blade guard;
- 17 PTO.

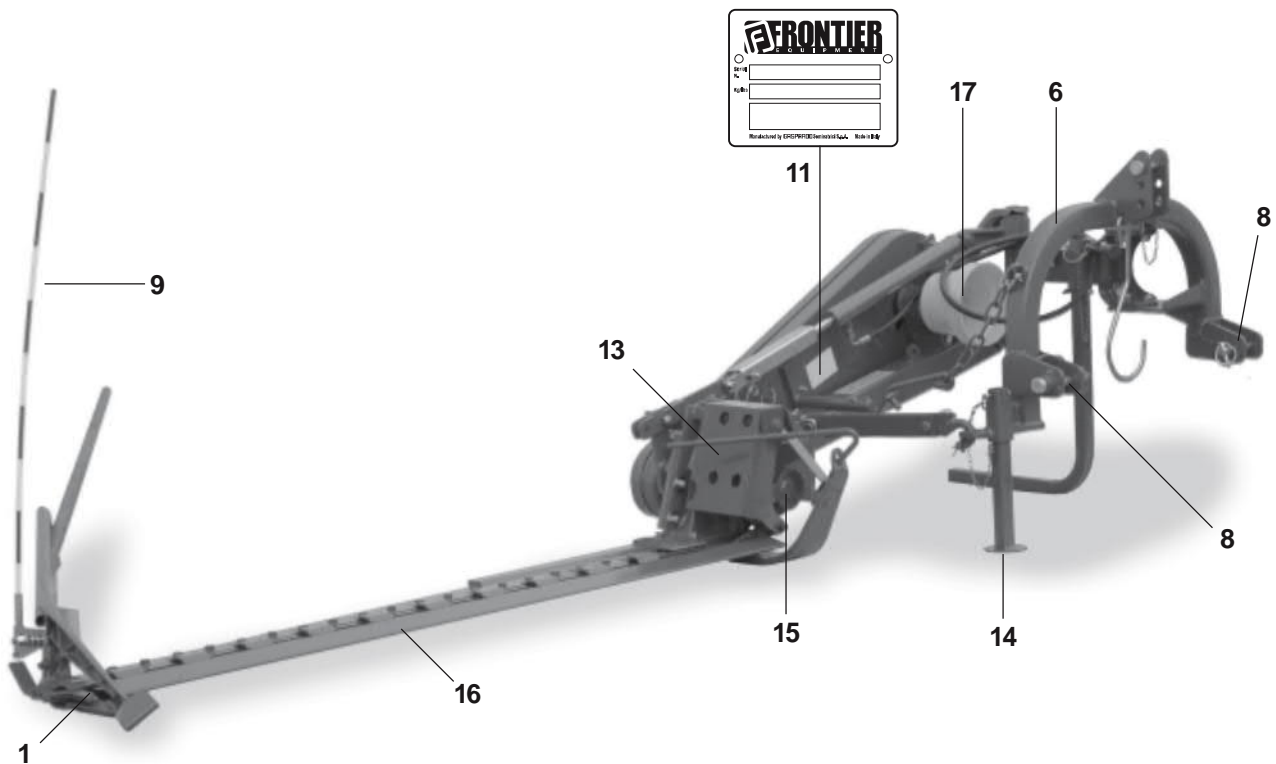
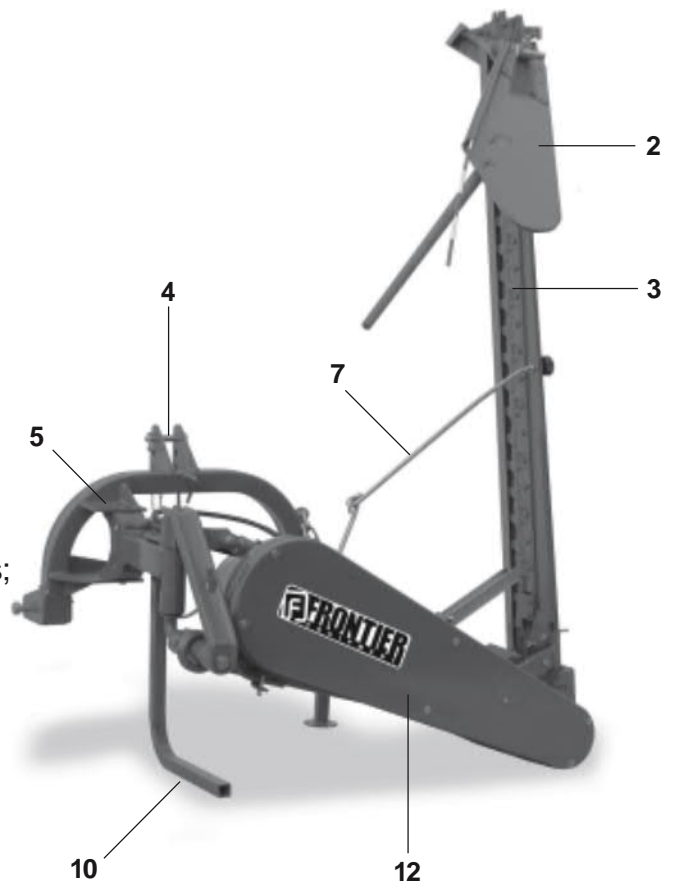


Fig. 4

<https://www.ebooklibonline.com>

Hello dear friend!

Thank you very much for reading.

Enter the link into your browser.

The full manual is available for immediate download.

<https://www.ebooklibonline.com>