

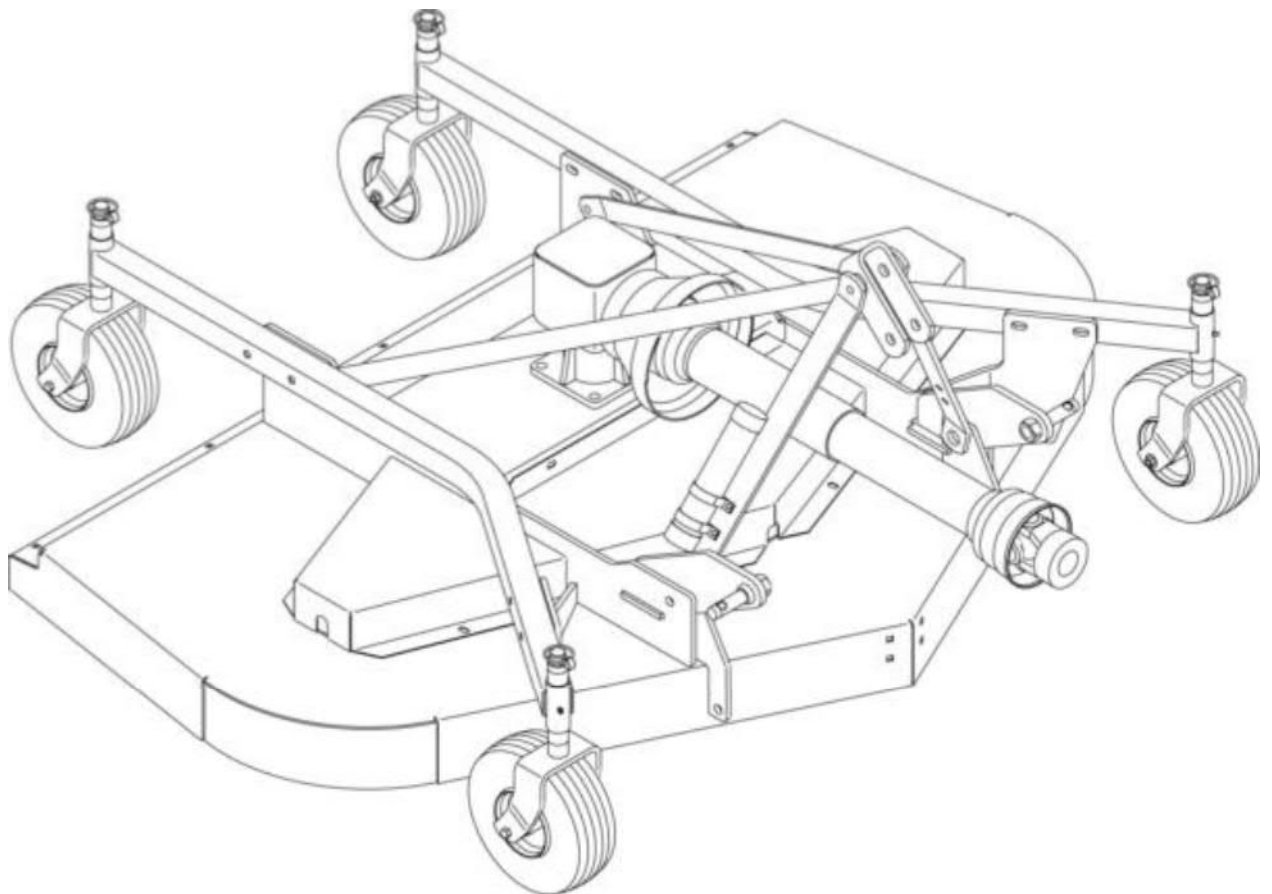
O P E R A T O R ' S M A N U A L

GROOMING MOWERS

GM3054

GM3060

GM3072



FRONTIER
EQUIPMENT™



Suggest:

For more complete manuals. Please go to the home page.

<https://www.ebooklibonline.com>

If the above button click is invalid. Please download this document first, and then click the above link to download the complete manual.

Thank you so much for reading

TABLE OF CONTENTS

INTRODUCTION	2
SPECIFICATIONS	4
GENERAL INFORMATION	4
SAFETY RULES	5
SAFETY DECALS	8
OPERATION	10
OWNER SERVICE	14
TROUBLESHOOTING	18
DEALER SERVICE	20
ASSEMBLY	27
DEALER CHECK LISTS	31
PARTS LISTS	33
BOLT TORQUE CHART	42
BOLT SIZE CHART & ABBREVIATIONS	43
INDEX	44

<https://www.ebooklibonline.com>

Hello dear friend!

Thank you very much for reading.

Enter the link into your browser.

The full manual is available for immediate download.

<https://www.ebooklibonline.com>

<https://www.ebooklibonline.com>

Hello dear friend!

Thank you very much for reading.

Enter the link into your browser.

The full manual is available for immediate download.

<https://www.ebooklibonline.com>