

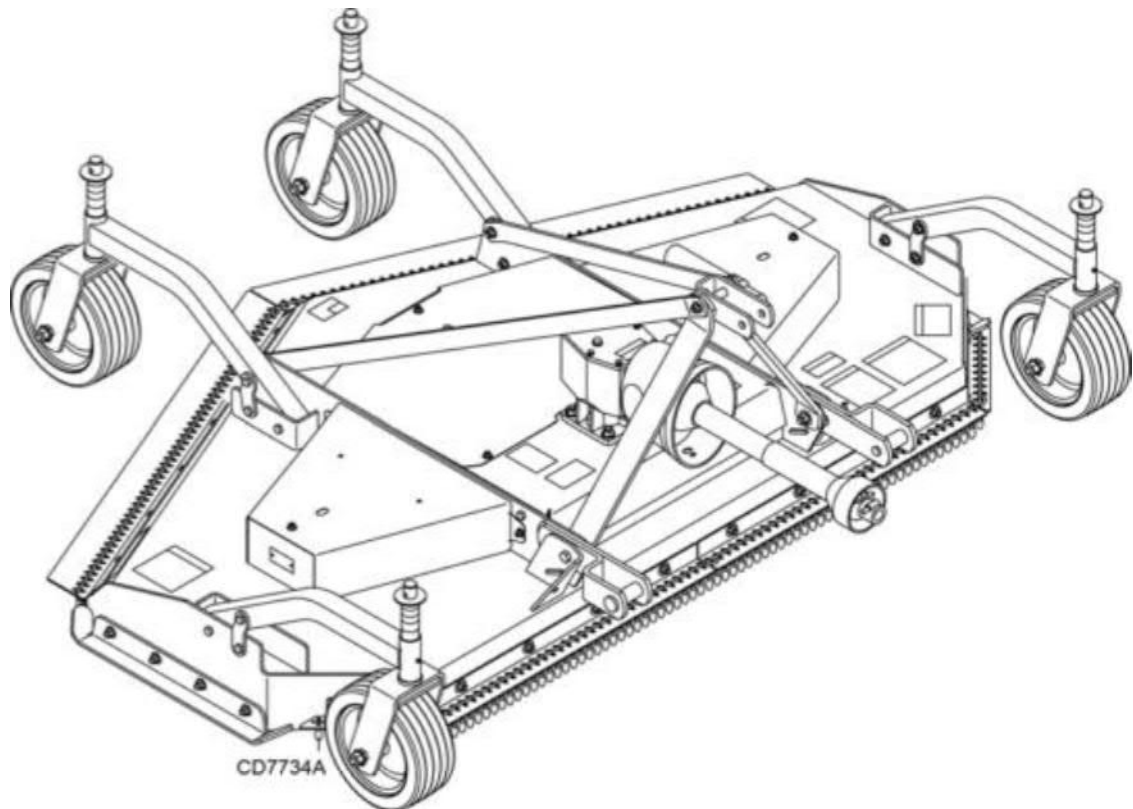
O P E R A T O R ' S M A N U A L

GROOMING MOWERS

GM1190

Rear Discharge

Serial Number 1XFGM11XKB0000121 & Above



FRONTIER



Suggest:

For more complete manuals. Please go to the home page.

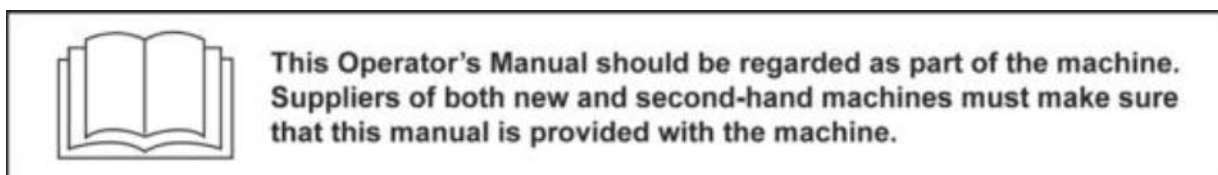
<https://www.ebooklibonline.com>

If the above button click is invalid. Please download this document first, and then click the above link to download the complete manual.

Thank you so much for reading

TABLE OF CONTENTS

INTRODUCTION	2
SPECIFICATIONS	4
GENERAL INFORMATION	4
SAFETY RULES	5-7
SAFETY DECALS	8-9
OPERATION	10
OWNER SERVICE	15
TROUBLE SHOOTING	19
DEALER SERVICE	22
ASSEMBLY	29
DEALER CHECK LIST	34
PARTS LISTS	35
BOLT TORQUE CHART	43
BOLT SIZE CHART & ABBREVIATIONS	44
INDEX	45



<https://www.ebooklibonline.com>

Hello dear friend!

Thank you very much for reading.

Enter the link into your browser.

The full manual is available for immediate download.

<https://www.ebooklibonline.com>

<https://www.ebooklibonline.com>

Hello dear friend!

Thank you very much for reading.

Enter the link into your browser.

The full manual is available for immediate download.

<https://www.ebooklibonline.com>