

O P E R A T O R ' S M A N U A L

HEADER TRANSPORT

Farm Models

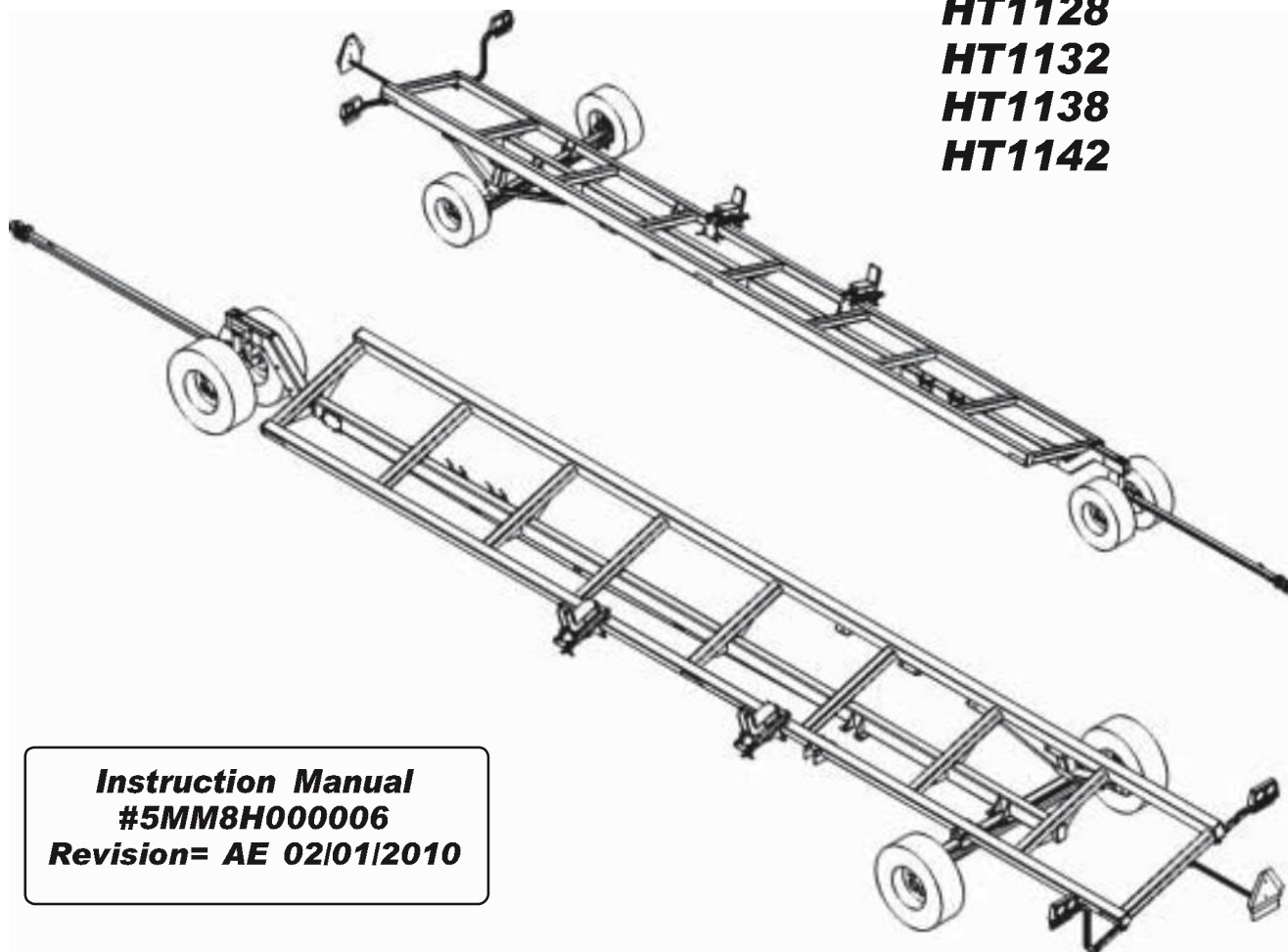
HT1124

HT1128

HT1132

HT1138

HT1142



Instruction Manual
#5MM8H000006
Revision= AE 02/01/2010

FRONTIER
EQUIPMENT



Suggest:

For more complete manuals. Please go to the home page.

<https://www.ebooklibonline.com>

If the above button click is invalid. Please download this document first, and then click the above link to download the complete manual.

Thank you so much for reading

TABLE OF CONTENTS

Introduction	ii
Specifications	1-2
Safety Decals	3-4
Safety Rules	5-8
Maintenance Schedule	9
Bolt Torque Requirements	10-11
Standard Tongue Breakdown	12
Long Telescoping Tongue Breakdown	13
Short Telescoping Tongue Breakdown	14
Front Idler Axle & Hub Breakdown	15
Front Idler Suspension Axle & Hub Breakdown	16
Bearing Inspection/Lubrication	17
Seal Inspection/Bearing Adjustment	18
Adjustable Slider Bracket & Draper	19-20
Header Securement	21
Adjustable Tie-Down / Header Securement	22
Main Parts Breakdown	23-24
Optional Equipment	25
Electrical Diagrams	26
GVW Ratings	27
Head Transport Check List	28
Dealer Instructions	29

<https://www.ebooklibonline.com>

Hello dear friend!

Thank you very much for reading.

Enter the link into your browser.

The full manual is available for immediate download.

<https://www.ebooklibonline.com>

<https://www.ebooklibonline.com>

Hello dear friend!

Thank you very much for reading.

Enter the link into your browser.

The full manual is available for immediate download.

<https://www.ebooklibonline.com>