

OFFSET CONSTRUCTION DISKS

DH5410C-DH5411C-

DH5412C-DH5413C-DH5414C

DH5510C-DH5511C-DH5513C-DH5514C

DH5610C-DH5612C-DH5613C-DH5615C



FRONTIER
EQUIPMENT™

Contents

Product General Arrangement and Identification	5
General Information	6
Checklists	7
Predelivery Checklist	7
Delivery Checklist	7
After-Sale Checklist	8
Each Day of Operation Checklist	8
Before Each Season Checklist	8
Safety Decal Identification and Placement	9
Safety First Guidelines	10
Attaching the Disk to the Tractor	11
Transporting the Disk	12
Adjusting the Transport Levelling Control Arm	12
Transport Safety	13
Operating Safety	14
Operating the Disk	15
General Operating Guidelines	15
Reposition the Hitch	15
Change the Gang Angles	16
Adjust the Levelling Control Arm	17
Service and Maintenance Safety	18
Lubricate the Disk	19
Check the Oil-Bath Bearings	20
Adjusting the Scrapers	21
Repack and Pre-Load Wheel Hub Bearings	21
Fluid and Fastener Specifications	22
Disc Gang Assembly Axles	22
Fastener Torque Values	22
Oil-Bath Bearing Oil	22
Tire and Wheel Service	22
Keep Gang Assemblies Tight	23
Assembly Safety	24
Assemble the Disk	24
Disk Gang Assembly Procedure	32
Detailed Parts Diagrams	33
Hitch and Side Arm Assembly	34
Bridle and Control Arm Assembly	35
Main Frame and Transport Assembly	36
Gang Bars and Scrapers	37
Gang Assembly – Model DH54xxC	38
Gang Assembly – Model DH55xxC	39
Gang Assembly – Model DH56xxC	40

Oil-Bath Bearing Assembly (Model – DH54xxC)	41
Oil-Bath Bearing Assembly (Model – DH55xxC)	41
Oil-Bath Bearing Assembly (Model – DH56xxC)	42
20” Hydraulic Cylinder	43
10 Bolt Hub Assembly	44
Tire and Wheel Assembly	45
Light Kit	46
Decals, Reflectors and Logos	47
Specifications	48
Storage	49

<https://www.ebooklibonline.com>

Hello dear friend!

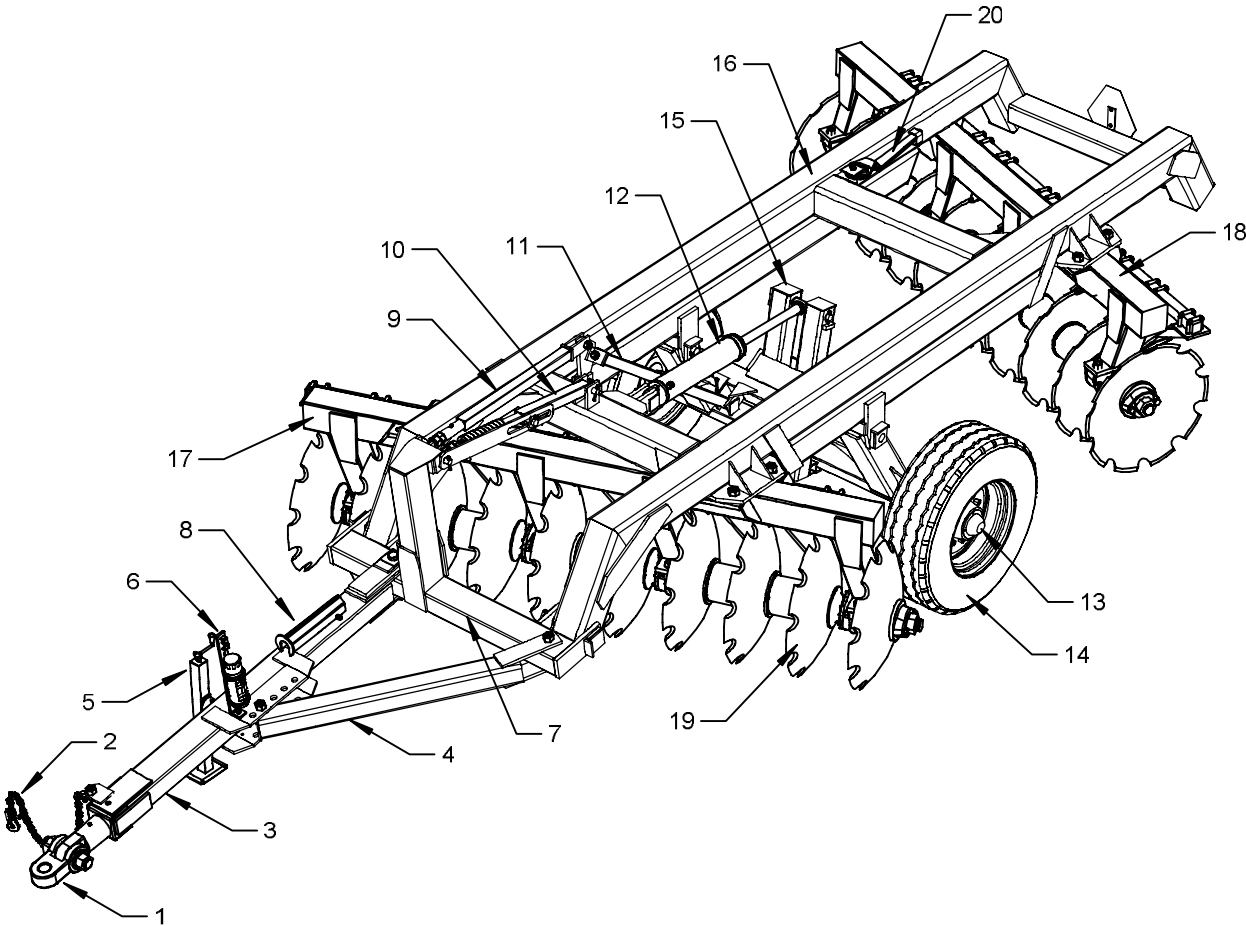
Thank you very much for reading.

Enter the link into your browser.

The full manual is available for immediate download.

<https://www.ebooklibonline.com>

PRODUCT GENERAL ARRANGEMENT AND IDENTIFICATION



- | | |
|--------------------------------------|------------------------------------|
| 1. Hitch Tongue | 11. Bottom Transport Control Arm |
| 2. Safety Chain | 12. Hydraulic Cylinder |
| 3. Hitch | 13. 10-Bolt Hub |
| 4. Side Arm | 14. Wheel and Tire Assembly |
| 5. Jack | 15. Transport Assembly |
| 6. Hose Holder & Manual Cannister | 16. Main Frame |
| 7. Bridle | 17. Front Gang Bar c/w Scraper Bar |
| 8. Transport Stay (Storage Location) | 18. Rear Gang Bar c/w Scraper Bar |
| 9. Top Transport Control Arm | 19. Disc Gang |
| 10. Leveling Control Arm | 20. Gang Wrenches |

General Information

TO THE DEALER

Assembly and delivery of this product is the responsibility of the John Deere dealer. Read manual instructions and safety rules. Make sure all items on the Dealers Pre-Delivery and Delivery Checklists in the Operators Manual are completed before releasing the equipment to the owner.

TO THE OWNER

Read this manual before operating your Frontier equipment. The information presented will prepare you to do a better job. Keep this manual handy for ready reference. Require all operators read this manual carefully and become acquainted with all the adjustment and operating procedures before using the equipment. Replacement manuals can be obtained from your selling dealer.

The equipment you have purchased has been carefully engineered and manufactured to provide dependable and satisfactory use. Like all mechanical products, it requires cleaning and upkeep. Lubricate the unit as specified. Many of the features of this equipment necessary for it to perform its intended task are inherently dangerous, so please observe all safety information in this manual and safety decals on the equipment.

For service, your authorized John Deere dealer has trained mechanics, genuine original manufacturer service parts and the necessary tools and equipment to handle your needs.

Use only genuine original manufacturer service parts. Substitute parts will void the warranty and may not meet standards required for safe and satisfactory operation. Record the model number and serial number of your equipment in the spaces provided.

Date of Purchase _____

Model _____

Serial Number (13 Characters) _____

Provide this information to your dealer to make a warranty claim or obtain correct repair parts.

Checklists

PREDELIVERY CHECKLIST: After the disk has been completely assembled and lubricated, inspect it before delivery to the customer to ensure proper operation. Check off each item of inspection in the list as it is found satisfactory.

- The disk has been assembled according to instructions and all nuts and bolts are present and tight.
- All grease fittings are installed and the disk has been lubricated.
- Tires are properly inflated and wheel lug nuts are present and properly torqued.
- Disk gangs rotate freely without dragging on scrapers.
- Check all pins to make sure retaining hardware is in place.
- Touch-up paint damage due to shipping and assembly.
- Connect disk to tractor drawbar, connect hydraulic hoses and check the hydraulic system for leaks and proper operation of the hydraulic cylinder.
- Safety chain is attached. SMV sign is installed and visible from the rear of disk.
- Light Kit is installed and operating correctly. All safety decals are present and legible.
- This disk has been checked and to the best of my knowledge, is ready for delivery to the customer.

Set-Up Date _____ **Signature of Assembly Person** _____

DELIVERY CHECKLIST: The following list is a reminder of important information that should be conveyed directly to the customer upon delivery of the disk. Check off each item as it is fully explained.

- Advise customer the life expectancy and performance of this, like any other machine, is dependent on regular lubrication and maintenance as described in this manual.
- Explain the importance of safe and proper operation of the machine. Point out decals warning the operator of the dangers of unsafe operation procedures and conditions.
- The customer has been told to keep all bolts tight.
- When the disk is transported on road or highway at night or during the day, accessory lights and devices should be used for adequate warning to operators of other vehicles. Replacement safety lights and safety devices are available from your John Deere dealer. In this regard, suggest customers check their local governmental regulations.
- Insure completion of the Delivery and Warranty Registration forms, listing the Serial Number of the machine.
- Explain the Warranty
- Show the customer how to hitch the machine and operate the controls relating to the machine.
- Explain the adjustments for proper operation of the disk.
- Advise use of the safety chain.
- Give the Operators Manual to the customer and explain all operating adjustments and lubrication fully.
- To the best of my knowledge, this machine has been delivered ready for use and the customer has been fully informed as to its proper care and operation.

Set-Up Date _____ **Signature of Delivery Person** _____

Checklists

AFTER-SALE CHECKLIST: It is suggested the following items be checked sometime during the first six months operation of the disk.

- Check the entire disk for loose or missing hardware.
- Check for broken or damaged parts. Make necessary repairs.
- Re-torque the hardware with special attention to the gang axle nuts and locks.
- Safety chain is properly installed and undamaged.
- If possible, run the disk to insure it is functioning properly.
- Check the bearing wear plates are present and not excessively worn.
- Visually check the oil-bath bearing for leaks. If parked unused for a long period in extreme weather conditions, there may be seepage due to expansion and contraction of the metal duo-cone seals. This condition will correct itself when the disk is operated. Lost oil should be replaced before operation.
- Review the entire Operators Manual with the customer and stress the importance of proper and regular lubrication and safety precautions.
- Advise the customer of optional attachments that are available.

Date Checked _____ **Signature** _____

EACH DAY OF OPERATION CHECKLIST

- Lubricate items required daily and those whose lubrication time is due.
- Look for loose or missing bolts and parts.
- Check hydraulic system for leaks and abraded hoses.
- Check tire pressures and wheel lug nuts.
- Check all pins have retaining hardware in place.
- Check all oil-bath bearing assemblies for leaks. Check bearing wear plates are present.
- Be sure all gang components are tight on the axles and axle nuts are tight and axle locks are present.

BEFORE EACH SEASON CHECKLIST

- Be sure recommended lubrication is performed.
- Inspect all oil-bath bearing assemblies are tight and dry and if wear plates need replacement.
- Check hydraulic system for proper operation and leakage.
- Check tire pressures and wheel lug nuts. Check for end play in wheel bearings and repack if necessary.
- Be sure proper operating adjustments have been made for your conditions.



Suggest:

For more complete manuals. Please go to the home page.

<https://www.ebooklibonline.com>

If the above button click is invalid. Please download this document first, and then click the above link to download the complete manual.

Thank you so much for reading



Safety Decal Identification and Placement

REF NO	PART NUMBER	DESCRIPTION	NO REQ'D
1	5KBLG2FT	FRONTIER Decal	2
2	-see parts section	Model Number Decal	2
3	5KBRFLYW	Yellow Reflector Strip	4
4	5KBDWPHF	WARNING - Avoid serious injury from injection of pressurized.....	1
5	5KBDCASI	CAUTION - To Avoid Serious Injury:	1
6	5KBDDDNA	DANGER - To avoid injury or death, do not adjust.....	1
7	5KBDWMTS	WARNING - Do not exceed implements maximum transport speed.....	1
8	5KBDWPPH	WARNING - Pinch Point Hazard	1
9	5KBDWICL	WARNING - Avoid serious injury from crushing or pinning.....	1
10	-see your dealer	Serial Number Plate	1

Safety First Guidelines

When you see this symbol on your machine or in this manual, be alert to the potential for personal injury.



Indicates death or serious injury will result if proper precautions are not taken.



Indicates death, serious injury or property damage can result if proper precautions are not taken.



Indicates some injury or property damage may result if proper precautions are not taken.



Carefully read all safety messages in this manual and on your machine safety signs. Keep safety signs in good condition. Replace missing or damaged safety signs. Be sure new equipment components and repair parts include the current safety signs. Replacement safety signs are available from your John Deere dealer.

Learn how to operate the machine and how to use the controls properly. Do not let anyone operate the machine without instruction. Keep your machine in proper working condition. Unauthorized modifications to the machine may impair the function and/or safety and affect machine life.

If you do not understand any part of this manual and need assistance, contact your John Deere dealer.

Prepare for Emergencies: Keep a first aid kit and a fire extinguisher handy. Keep emergency numbers for doctors, ambulance service, hospital and fire department nearby.

Wear Protective Clothing: Wear close fitting clothing and safety equipment appropriate to the job. Operating equipment safely requires the full attention of the operator. Do not wear headphones or use a cell phone while operating the machine.

Protect Against Noise: Prolonged exposure to loud noise can cause hearing impairment or loss. Wear suitable hearing protection to prevent damage to your hearing.

Store Equipment Safely: Securely store equipment by either lowering to ground or chocking wheels to prevent movement. Do not allow children or others to play on or around equipment.

Dispose of Waste Properly: Improperly disposing of waste can threaten the environment and the ecology. Potentially harmful waste used in this equipment includes gear oil in the oil-bath bearings and fluid in the hydraulic system. Use leak proof containers when draining fluids. Do not use food or beverage containers that may mislead someone into drinking from them. Do not pour waste onto the ground, down a drain or into any water source. Obtain information about the proper way to recycle or dispose of waste from your local environmental or recycling center, or from your John Deere dealer.

<https://www.ebooklibonline.com>

Hello dear friend!

Thank you very much for reading.

Enter the link into your browser.

The full manual is available for immediate download.

<https://www.ebooklibonline.com>