

OPERATOR'S MANUAL

HEAVY OFFSET AGRICULTURAL DISKS

DH5410-DH5411

| DH5412-DH5413-DH5414

| DH5510-DH5511-DH5513-DH5514

| DH5610-DH5612-DH5613-DH5615



FRONTIER™



Suggest:

For more complete manuals. Please go to the home page.

<https://www.ebooklibonline.com>

If the above button click is invalid. Please download this document first, and then click the above link to download the complete manual.

Thank you so much for reading

Contents

Product General Arrangement and Identification	5
General Information	6
Checklists	7
Predelivery Checklist	7
Delivery Checklist	7
After-Sale Checklist	8
Each Day of Operation Checklist	8
Before Each Season Checklist	8
Safety Decal Identification and Placement	9
Safety First Guidelines	10
Attaching the Disk to the Tractor	11
Transporting the Disk	12
Adjusting the Transport Levelling Control Arm	12
Transport Safety	13
Operating Safety	14
Operating the Disk	15
General Operating Guidelines	15
Reposition the Hitch	15
Change the Gang Angles	16
Adjust the Levelling Control Arm	17
Service and Maintenance Safety	18
Lubricate the Disk	19
Check the Oil-Bath Bearings	20
Adjusting the Scrapers	21
Repack and Pre-Load Wheel Hub Bearings	21
Fluid and Fastener Specifications	22
Disc Gang Assembly Axles	22
Fastener Torque Values	22
Oil-Bath Bearing Oil	22
Tire and Wheel Service	22
Keep Gang Assemblies Tight	23
Assembly Safety	24
Assemble the Disk	24
Disk Gang Assembly Procedure	32
Detailed Parts Diagrams	33
Hitch and Side Arm Assembly	34
Bridle and Control Arm Assembly	35
Main Frame and Transport Assembly	36
Gang Bars and Scrapers	37
Gang Assembly – Model DH54xx	38
Gang Assembly – Model DH55xx	39
Gang Assembly – Model DH56xx	40

<https://www.ebooklibonline.com>

Hello dear friend!

Thank you very much for reading.

Enter the link into your browser.

The full manual is available for immediate download.

<https://www.ebooklibonline.com>

<https://www.ebooklibonline.com>

Hello dear friend!

Thank you very much for reading.

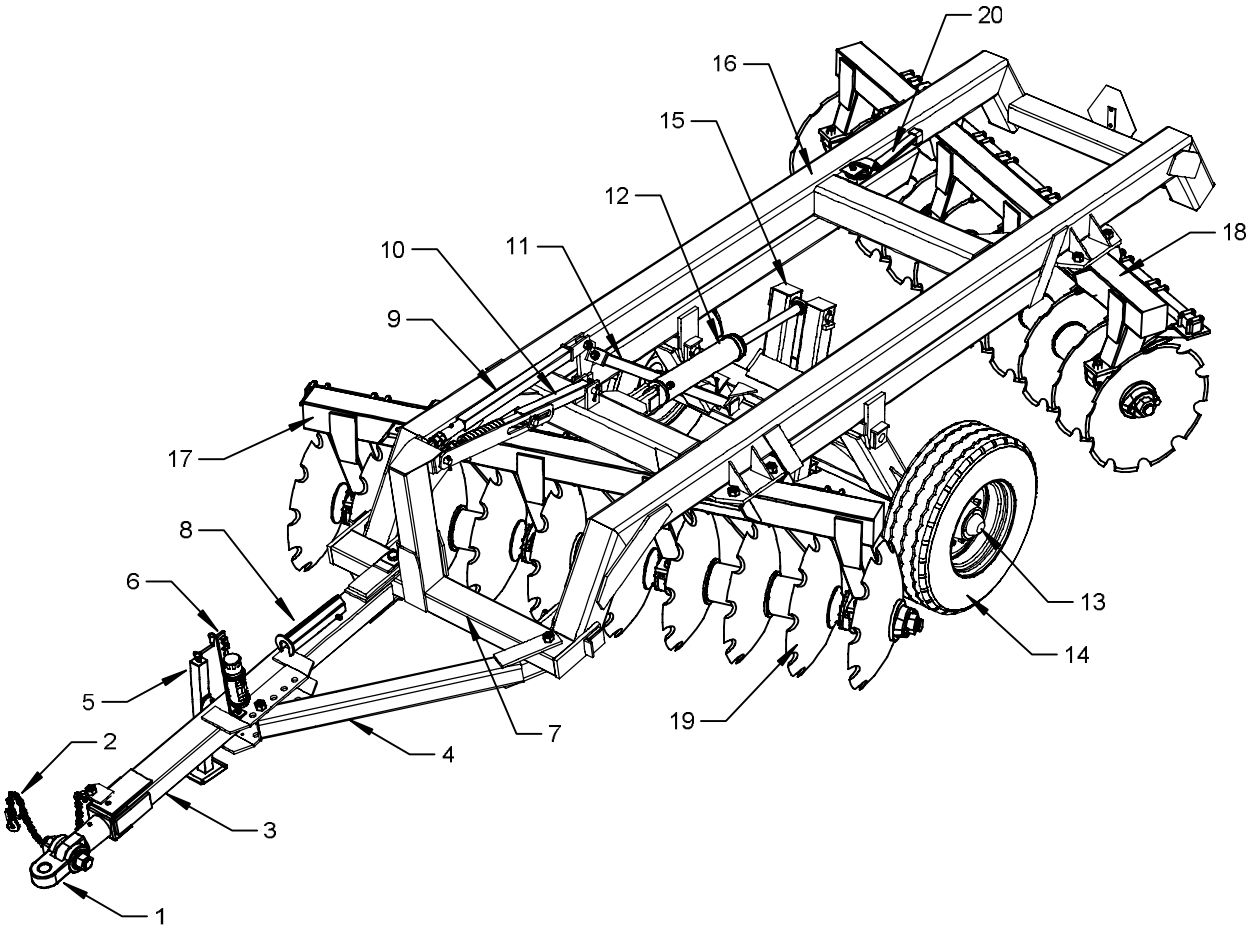
Enter the link into your browser.

The full manual is available for immediate download.

<https://www.ebooklibonline.com>

Oil-Bath Bearing Assembly (Model – DH54xx)	41
Oil-Bath Bearing Assembly (Model – DH55xx)	41
Oil-Bath Bearing Assembly (Model – DH56xx)	42
20” Hydraulic Cylinder (CTD)	43
20” Hydraulic Cylinder (RAM)	44
10 Bolt Hub Assembly	45
Tire and Wheel Assembly	46
Light Kit	47
Decals, Reflectors and Logos	48
Specifications	49
Storage	50

PRODUCT GENERAL ARRANGEMENT AND IDENTIFICATION



- | | |
|--|---|
| <ul style="list-style-type: none"> 1. Hitch Tongue 2. Safety Chain 3. Hitch 4. Side Arm 5. Jack 6. Hose Holder & Manual Cannister 7. Bridle 8. Transport Stay (Storage Location) 9. Top Transport Control Arm 10. Leveling Control Arm | <ul style="list-style-type: none"> 11. Bottom Transport Control Arm 12. Hydraulic Cylinder 13. 10-Bolt Hub 14. Wheel and Tire Assembly 15. Transport Assembly 16. Main Frame 17. Front Gang Bar c/w Scraper Bar 18. Rear Gang Bar c/w Scraper Bar 19. Disc Gang 20. Gang Wrenches |
|--|---|