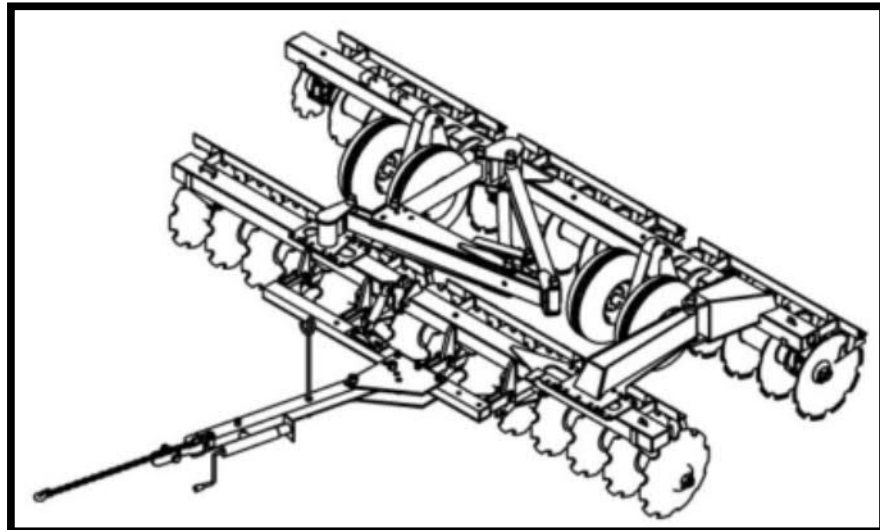




ASSEMBLY & OPERATING INSTRUCTIONS



FRONTIER MODEL DH4420 HINGE-WHEEL OFFSET DISK HARROW

FORM NO.: 5RPMAN297AO

Printed in USA

PUBLISHED DATE: 06-08

CONTENTS

PRODUCT IDENTIFICATION	6
GENERAL INFORMATION	7
CHECKLISTS	8
PREDELIVERY CHECK LIST	8
DELIVERY CHECK LIST	9
AFTER-SALE CHECK LIST	10
EACH MORNING OF OPERATION CHECKLIST	10
BEFORE EACH SEASON CHECKLIST	10
SAFETY SIGNS	11
SAFETY	14
RECOGNIZE SAFETY INFORMATION	14
UNDERSTAND SIGNAL WORDS	14
FOLLOW SAFETY INSTRUCTIONS.....	14
USE SEAT BELT PROPERLY	15
OPERATE SAFELY.....	15
KEEP RIDERS OFF MACHINE.....	16
PREPARE FOR EMERGENCIES.....	16
WEAR PROTECTIVE CLOTHING.....	16
PROTECT AGAINST NOISE.....	16
USE SAFETY LIGHTS AND DEVICES	17
USE A SAFETY CHAIN.....	17
TRANSPORT SAFETY.....	18
TOW LOADS SAFETY	19
PRACTICE SAFE MAINTENANCE	20
REMOVE PAINT BEFORE WELDING OR HEATING.....	21
AVOID HEATING NEAR PRESSURIZED FLUID LINES.....	21
AVOID HIGH-PRESSURE FLUIDS.....	22
AVOID HARMFUL ASBESTOS DUST	22
STORE ATTACHMENTS SAFELY.....	23
DISPOSE OF WASTE PROPERLY.....	23
PREPARING THE TRACTOR	24
POSITIONING DRAWBAR.....	24
PREPARING THE DISK	25
CHECKING AND LUBRICATING DISK.....	25
ADJUSTING RIGID SCRAPERS.....	25
NOTES:	26
ATTACHING AND DETACHING	27
ATTACHING DISK TO TRACTOR	27
ATTACHING SAFETY CHAIN TO TRACTOR.....	27
ATTACHING HYDRAULIC HOSES.....	28

CONTENTS

ATTACHING WARNING LIGHT PLUG	28
DETACHING DISK FROM TRACTOR	29
CHECKING TRANSPORT CONTROL OPERATION	30
CHECKING LEVELING ADJUSTMENT	31
NOTES:	32
TRANSPORTING MACHINE.....	33
CAUTION: SAFETY GUIDELINES.....	33
POSITIONING TRACTOR DRAWBAR FOR TRANSPORT (FOUR WHEEL DRIVE TRACTORS).....	34
POSITIONING JACK FOR TRANSPORT	34
ATTACH SAFETY CHAIN TO TRACTOR.....	34
INSTALL TRANSPORT LOCKING DEVICES	35
ATTACHING WARNING LIGHT PLUG	35
TRANSPORTING THE MACHINE.....	35
OPERATING THE MACHINE	36
CAUTION: SAFETY GUIDELINES.....	36
GUIDELINES FOR USE	37
TIGHTEN HARDWARE.....	37
OPERATING SPEED	37
OFFSET BAR HEIGHT ADJUSTMENT.....	38
POSITIONING THE DRAWBAR ANGLE SELECTING BOLT	38
POSITIONING THE DRAWBAR ON THE OFFSET BAR.....	39
POSITIONING THE DRAWBAR ON THE OFFSET BAR TO REDUCE DRAFT ON THE TRACTOR	40
GANG ANGLE ADJUSTMENT.....	41
SIDE ADJUSTMENT OF THE GANG CARRIERS	42
HYDRAULIC CONTROL	43
HYDRAULIC CONTROL SCHEMATIC	44
PREPARING HARROW FOR TRANSPORT.....	45
SCRAPER ADJUSTMENT	45
LUBRICATION	46
LUBRICANT STORAGE.....	46
LUBRICATE GANG BEARINGS.....	46
LUBRICATE WHEEL BEARINGS	46
DAILY INSPECTION & LUBRICATION	47
MAINTENANCE	48
CAUTION: SAFETY GUIDELINES.....	48
CHECKING WHEEL BOLTS AND BEARINGS	49
REPACK WHEEL HUB BEARINGS ANNUALLY	49
GANG BEARINGS.....	50
DISK GANGS	50
HYDRAULIC HOSES	50
REMOVING HYDRAULIC CYLINDERS.....	51

<https://www.ebooklibonline.com>

Hello dear friend!

Thank you very much for reading.

Enter the link into your browser.

The full manual is available for immediate download.

<https://www.ebooklibonline.com>

<https://www.ebooklibonline.com>

Hello dear friend!

Thank you very much for reading.

Enter the link into your browser.

The full manual is available for immediate download.

<https://www.ebooklibonline.com>

CONTENTS

BLEEDING TRANSPORT CYLINDER	51
SERVICING DISK GANGS.....	52
ASSEMBLING DISK SPACERS.....	52
GANG AXLE NUT WRENCHES.....	52
TIGHTEN GANG AXLE NUTS	53
ATTACHING DISK GANGS TO STANDARDS.....	54
SERVICE TIRES SAFELY.....	55
CHECKING TIRE PRESSURE.....	55
TIRE PRESSURE CHART	56
STORAGE	57
BEGINNING OF SEASON MAINTENANCE.....	57
END OF SEASON MAINTENANCE	57
ASSEMBLY	58
CAUTION: SAFETY GUIDELINES	58
CHECK ALL PARTS ON PACKING LIST	59
STEP 1. ASSEMBLING GANGS	59
STEP 2. INSTALLING GANGS ON GANG CARRIERS	61
STEP 3. JOINING GANG CARRIERS.....	61
STEP 4. INSTALLING STABILIZERS AND LATCH GROUP	62
LATCH SUPPORT ILLUSTRATIONS.....	63
STEP 5. ATTACHING OFFSET BAR	64
STEP 6. ATTACHING DRAWBAR	65
STEP 7. INSTALL SCRAPERS	65
STEP 7. INSTALL SCRAPERS	66
STEP 8. INSTALL HYDRAULIC CONTROL GROUP.....	67
HYDRAULIC CONTROL GROUP ILLUSTRATION.....	68
ATTACHMENT ASSEMBLY.....	76
INSTALL SAFETY CHAIN	76
BEARING WEAR PLATES	76
INSTALL WARNING LIGHTS	77
MANUALS (OPERATOR'S & PARTS)	79
SPECIFICATIONS.....	80
SUGGESTED REPAIR PARTS (DH4420)	80
SPECIFICATIONS - CONSTRUCTION OFFSET DISK MODEL DH4420.....	81



Suggest:

For more complete manuals. Please go to the home page.

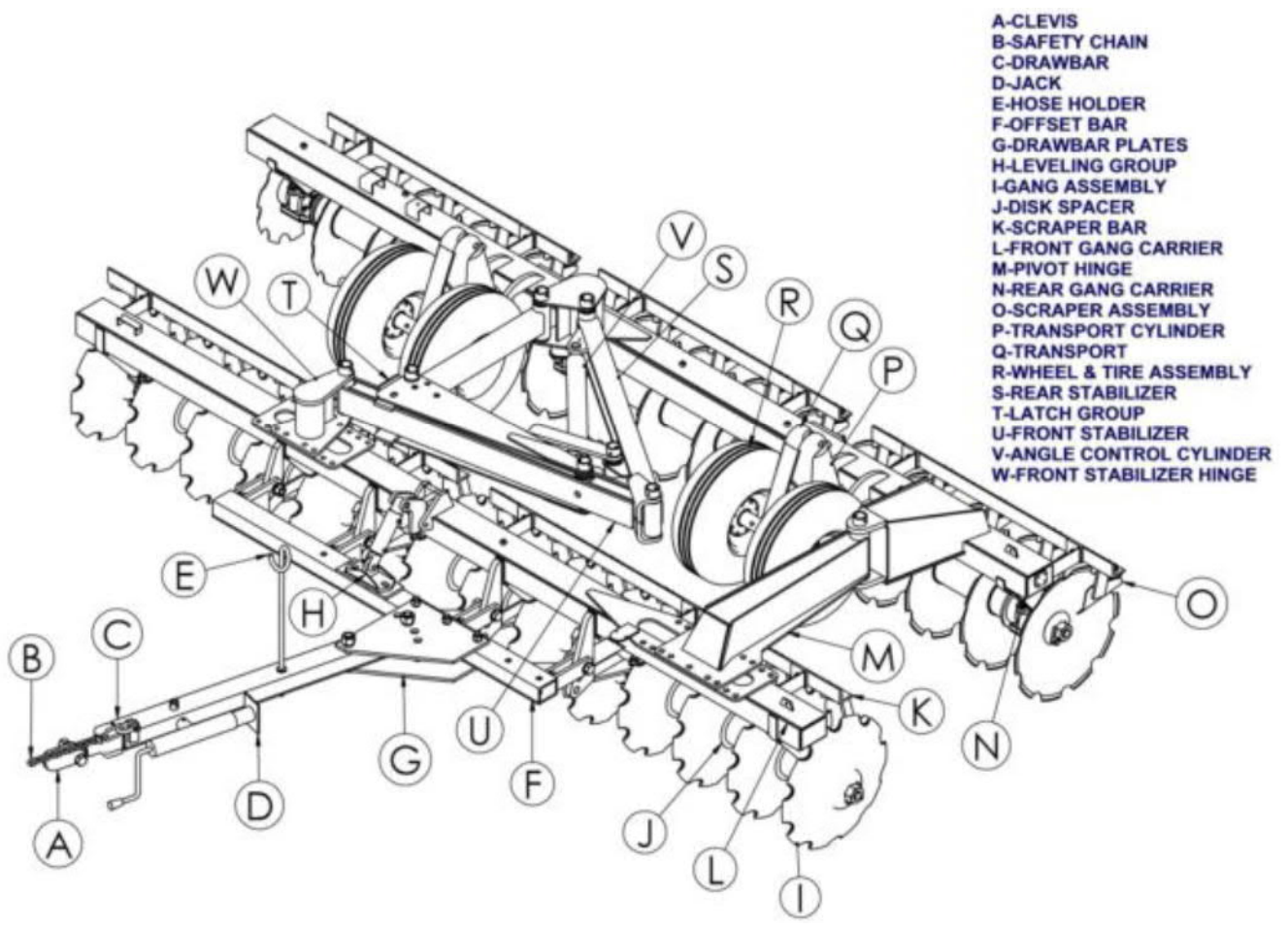
<https://www.ebooklibonline.com>

If the above button click is invalid. Please download this document first, and then click the above link to download the complete manual.

Thank you so much for reading

CONTENTS PRODUCT IDENTIFICATION

FRONTIER MODEL DH4420 HINGE-WHEEL OFFSET DISK HARROW



- A-CLEVIS
- B-SAFETY CHAIN
- C-DRAWBAR
- D-JACK
- E-HOSE HOLDER
- F-OFFSET BAR
- G-DRAWBAR PLATES
- H-LEVELING GROUP
- I-GANG ASSEMBLY
- J-DISK SPACER
- K-SCRAPER BAR
- L-FRONT GANG CARRIER
- M-PIVOT HINGE
- N-REAR GANG CARRIER
- O-SCRAPER ASSEMBLY
- P-TRANSPORT CYLINDER
- Q-TRANSPORT
- R-WHEEL & TIRE ASSEMBLY
- S-REAR STABILIZER
- T-LATCH GROUP
- U-FRONT STABILIZER
- V-ANGLE CONTROL CYLINDER
- W-FRONT STABILIZER HINGE