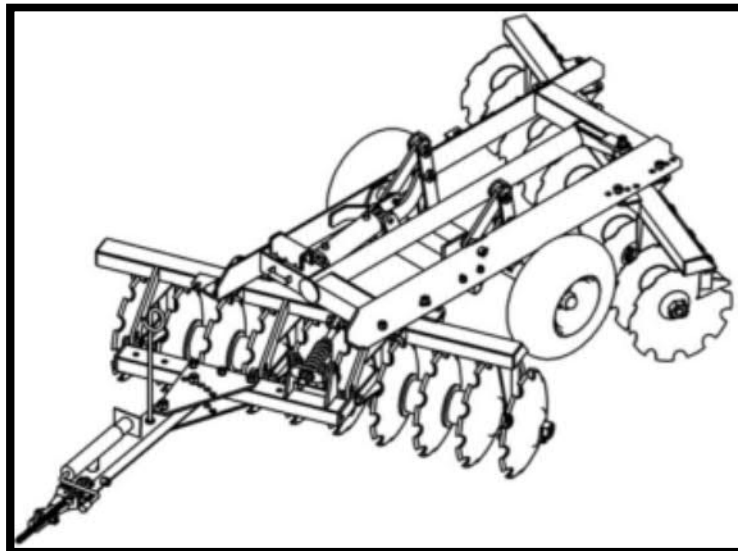




ASSEMBLY & OPERATING INSTRUCTIONS



MODELS DH4411 & DH4414

WHEEL-TYPE OFFSET DISK HARROWS

FORM NO.: 5RPMAN294AO

PUBLISHED DATE: 06-08

Printed in USA

Introduction

READ THIS MANUAL carefully to learn how to operate and service your machine correctly. Failure to do so could result in personal injury or equipment damage. This manual and safety signs on your machine may be ordered from your Frontier dealer.

THIS MANUAL SHOULD BE CONSIDERED a permanent part of your machine and should remain with the machine when you sell it.

MEASUREMENTS in this manual are given in customary U.S. units. Use only the correct replacement parts and fasteners.

RIGHT-HAND AND LEFT-HAND sides are determined by facing in the direction the implement will travel when going forward.

WRITE DOWN PRODUCT IDENTIFICATION NUMBERS. Accurately record all the numbers to help in tracing the machine should it be stolen. Your Frontier dealer also needs these numbers when you order parts. File the identification numbers in a secure place off the machine.

WARRANTY is provided as a part of Frontier's support program for customers who operate and maintain their equipment as described in this manual. The warranties are explained on the warranty pages that are included in this manual.

This warranty provides you the assurance that Frontier will back its products where defects appear within the warranty period. In some circumstances, Frontier also provides field improvements, often without charge to the customer, even if the product is out of warranty. Should the equipment be abused or modified to change its performance beyond the original factory specifications, the warranty will become void and field improvements may be denied. Setting fuel delivery above specifications or otherwise overpowering machines will result in such action.

Contents

PRODUCT IDENTIFICATION	6
GENERAL INFORMATION	7
CHECKLISTS	8
PREDELIVERY CHECKLIST	8
DELIVERY CHECKLIST	9
AFTER-SALE CHECKLIST	10
EACH MORNING OF OPERATION CHECKLIST	10
BEFORE EACH SEASON CHECKLIST	10
SAFETY SIGNS	11
SAFETY	13
RECOGNIZE SAFETY INFORMATION	13
UNDERSTAND SIGNAL WORDS	13
FOLLOW SAFETY INSTRUCTIONS	13
USE SEAT BELT PROPERLY	14
OPERATE SAFELY	14
KEEP RIDERS OFF MACHINE	15
PREPARE FOR EMERGENCIES.....	15
WEAR PROTECTIVE CLOTHING.....	15
PROTECT AGAINST NOISE.....	15
USE SAFETY LIGHTS AND DEVICES	16
USE A SAFETY CHAIN.....	16
TRANSPORT SAFELY.....	17
TOW LOADS SAFELY	18
PRACTICE SAFE MAINTENANCE	19
REMOVE PAINT BEFORE WELDING OR HEATING	20
AVOID HEATING NEAR PRESSURIZED FLUID LINES.....	20
AVOID HIGH-PRESSURE FLUIDS	21
AVOID HARMFUL ASBESTOS DUST	21
STORE ATTACHMENTS SAFELY.....	22
DISPOSE OF WASTE PROPERLY.....	22
PREPARING THE TRACTOR	23
POSITIONING DRAWBAR.....	23
PREPARING THE DISK	24
CHECKING AND LUBRICATING DISK.....	24
ADJUSTING RIGID SCRAPERS.....	24
ATTACHING AND DETACHING	26
ATTACHING DISK TO TRACTOR	26
ATTACHING SAFETY CHAIN TO TRACTOR.....	26
ATTACHING HYDRAULIC HOSES.....	27
ATTACHING WARNING LIGHT PLUG	27
DETACHING DISK FROM TRACTOR	28
CHECKING TRANSPORT CONTROL	29
CHECKING LEVELING ADJUSTMENT	30
TRANSPORTING MACHINE	32
CAUTION: SAFETY GUIDELINES.....	32
POSITIONING TRACTOR DRAWBAR FOR TRANSPORT (FOUR WHEEL DRIVE TRACTORS).....	33

<https://www.ebooklibonline.com>

Hello dear friend!

Thank you very much for reading.

Enter the link into your browser.

The full manual is available for immediate download.

<https://www.ebooklibonline.com>

Contents

POSITIONING JACK FOR TRANSPORT	33
ATTACH SAFETY CHAIN TO TRACTOR.....	33
INSTALL TRANSPORT LOCK	34
ATTACHING WARNING LIGHT PLUG	34
TRANSPORTING THE MACHINE.....	34
OPERATING THE MACHINE	35
CAUTION: SAFETY GUIDELINES.....	35
GUIDELINES FOR USE	36
TIGHTEN HARDWARE	36
OPERATING SPEED	36
HYDRAULIC CONTROL	37
SCRAPER ADJUSTMENT	37
PREPARING TO OPERATE IN FIELD.....	38
SET DEPTH OF PENETRATION CONTROL.....	38
ANGLING FRONT AND REAR GANGS.....	39
REAR GANG SIDE ADJUSTMENT.....	40
OFFSET BAR HEIGHT ADJUSTMENT.....	41
LEVELING FRONT TO REAR.....	41
POSITIONING THE DRAWBAR ON OFFSET BAR TO REDUCE TRACTOR SIDE DRAFT ..	42
ADJUSTING SIDE DRAFT	43
ADJUSTING UNEVEN GANG PENETRATION	44
SET DRAWBAR ANGLE	45
LUBRICATION	46
LUBRICANT STORAGE.....	46
LUBRICATE GANG BEARINGS.....	46
LUBRICATE WHEEL BEARINGS	46
LUBRICATE BELL CRANK BEARINGS.....	46
LUBRICATE LEVELING ADJUSTMENT SPRING	46
MAINTENANCE.....	47
CAUTION: SAFETY GUIDELINES.....	47
CHECKING WHEEL BOLTS AND BEARINGS	48
REPACK WHEEL HUB BEARINGS ANNUALLY	48
GANG BEARINGS.....	49
DISK GANGS	49
HYDRAULIC HOSES	49
REMOVING HYDRAULIC CYLINDERS.....	50
BLEEDING TRANSPORT CYLINDER	50
SERVICING DISK GANGS.....	51
ASSEMBLING DISK SPACERS	51
GANG AXLE NUT WRENCHES.....	51
TIGHTEN GANG AXLE NUTS	52
ATTACHING DISK GANGS TO STANDARDS.....	53
SERVICE TIRES SAFELY.....	54
CHECKING TIRE PRESSURE	54
TIRE PRESSURE CHART	55
STORAGE	56
BEGINNING OF SEASON MAINTENANCE.....	56



Suggest:

For more complete manuals. Please go to the home page.

<https://www.ebooklibonline.com>

If the above button click is invalid. Please download this document first, and then click the above link to download the complete manual.

Thank you so much for reading

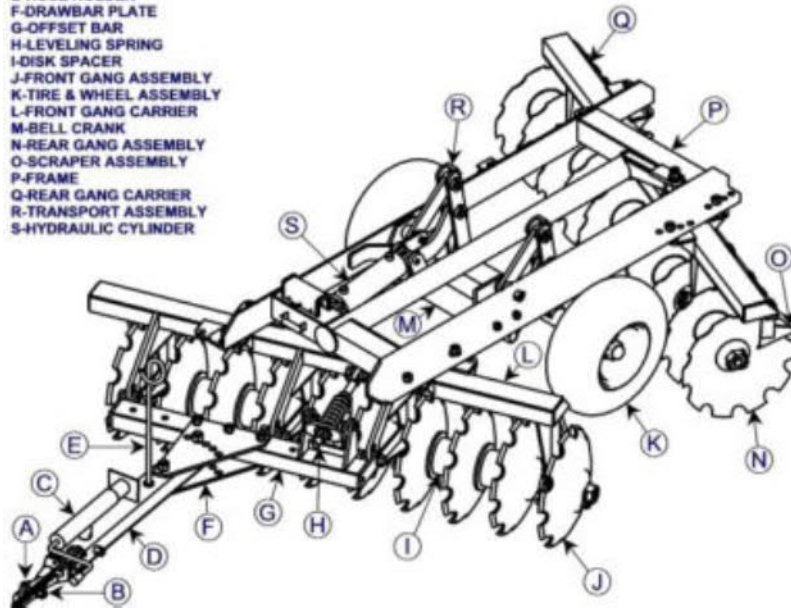
Contents

END OF SEASON MAINTENANCE	56
ASSEMBLY	57
CAUTION: SAFETY GUIDELINES	57
CHECK ALL PARTS ON PACKING LIST	58
STEP 1. ASSEMBLING GANGS	58
STEP 2. INSTALLING GANGS ON GANG CARRIERS	60
STEP 3. INSTALLING GANG CARRIERS TO FRAME	60
STEP 4. INSTALLING TRANSPORT ASSEMBLY	60
STEP 5. INSTALLING WHEEL ASSEMBLIES	61
STEP 6. INSTALLING OFFSET BAR AND LEVELING SPRING ROD	61
STEP 7. INSTALLING DRAWBAR	61
STEP 8. ATTACH JACK ASSEMBLY	62
STEP 9. ADJUSTING THE SCRAPERS	62
STEP 10. INSTALLING HYDRAULIC CONTROL GROUPS	62
ATTACHMENT ASSEMBLY	63
INSTALL SAFETY CHAIN	63
BEARING WEAR PLATES	63
INSTALL WARNING LIGHTS (Model DH4414)	64
SUGGESTED REPAIR PARTS (DH4411)	65
SUGGESTED REPAIR PARTS (DH4414)	66
SPECIFICATIONS - CONSTRUCTION OFFSET DISK MODELS DH4411 AND	67
DH4414	67

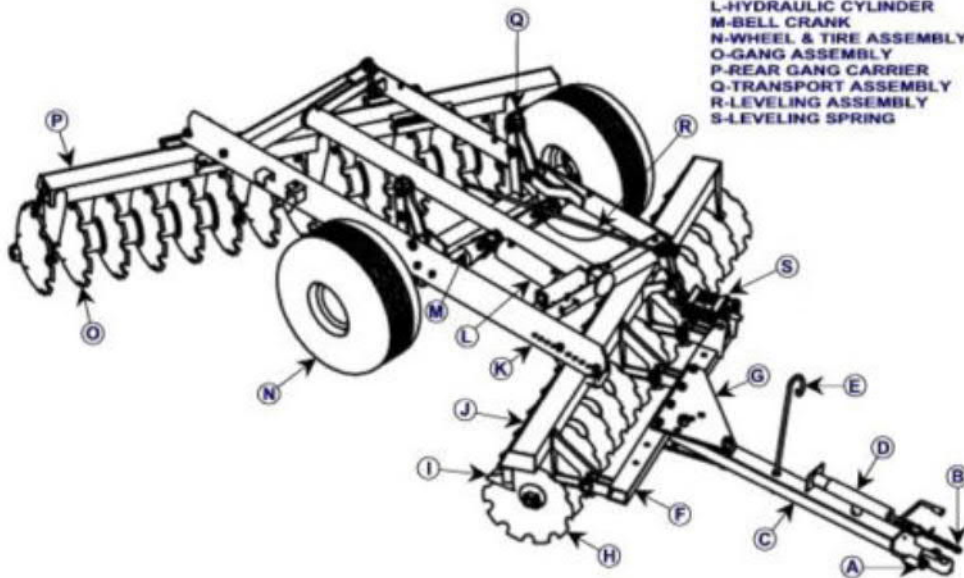
Contents

PRODUCT IDENTIFICATION Frontier Models DH4411 & DH4414 Wheel -Type Offset Disk Harrows

- A-CLEVIS
- B-SAFETY CHAIN
- C-JACK
- D-DRAWBAR
- E-HOSE HOLDER
- F-DRAWBAR PLATE
- G-OFFSET BAR
- H-LEVELING SPRING
- I-DISK SPACER
- J-FRONT GANG ASSEMBLY
- K-TIRE & WHEEL ASSEMBLY
- L-FRONT GANG CARRIER
- M-BELL CRANK
- N-REAR GANG ASSEMBLY
- O-SCRAPER ASSEMBLY
- P-FRAME
- Q-REAR GANG CARRIER
- R-TRANSPORT ASSEMBLY
- S-HYDRAULIC CYLINDER



- A-CLEVIS
- B-SAFETY CHAIN
- C-DRAWBAR
- D-JACK
- E-HOSE HOLDER
- F-OFFSET BAR
- G-DRAWBAR PLATE
- H-GANG ASSEMBLY
- I-SCRAPER ASSEMBLY
- J-FRONT GANG CARRIER
- K-FRAME
- L-HYDRAULIC CYLINDER
- M-BELL CRANK
- N-WHEEL & TIRE ASSEMBLY
- O-GANG ASSEMBLY
- P-REAR GANG CARRIER
- Q-TRANSPORT ASSEMBLY
- R-LEVELING ASSEMBLY
- S-LEVELING SPRING



<https://www.ebooklibonline.com>

Hello dear friend!

Thank you very much for reading.

Enter the link into your browser.

The full manual is available for immediate download.

<https://www.ebooklibonline.com>